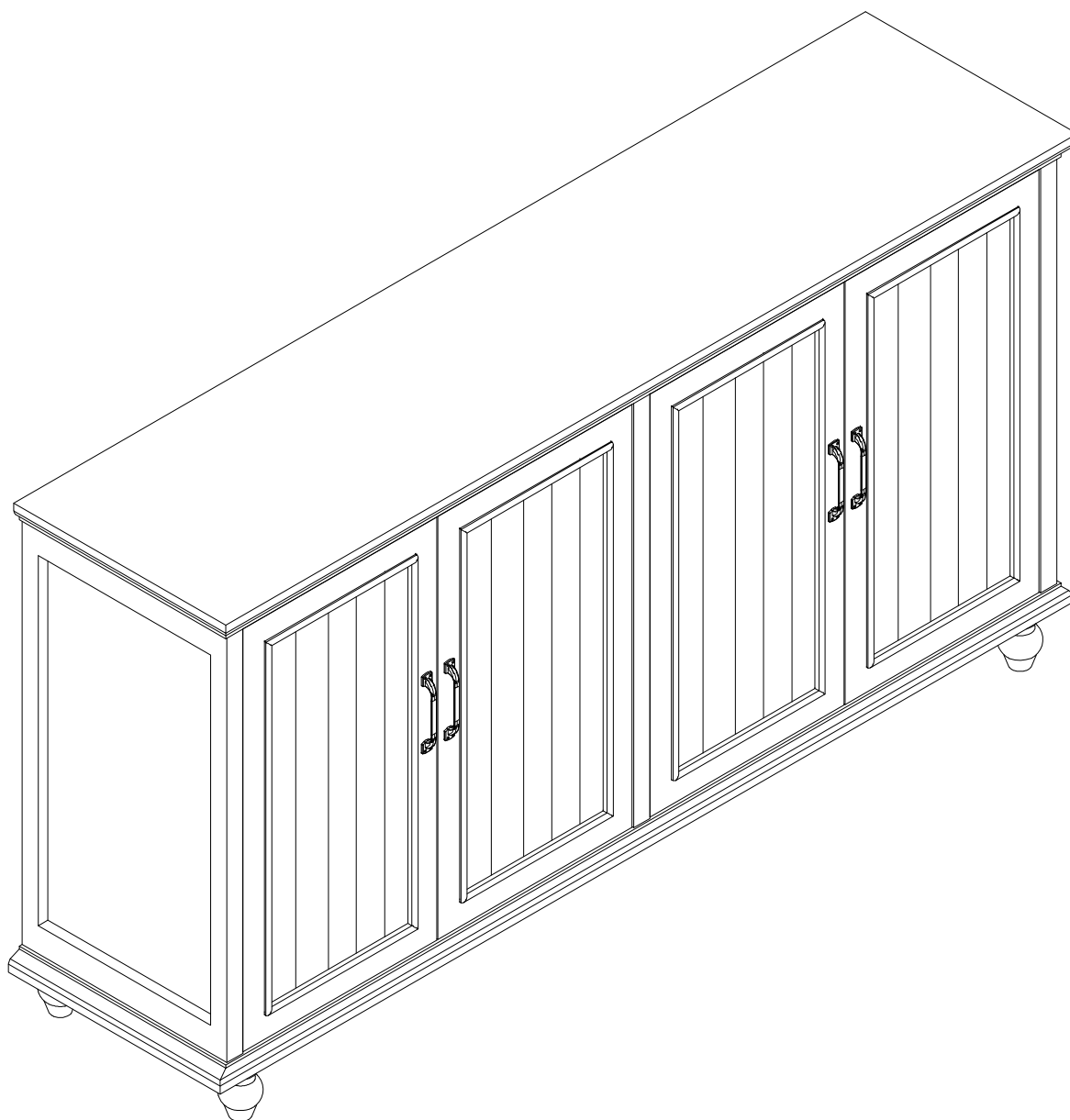


# ASSEMBLY INSTRUCTION



# IMPORTANT NOTICE

## Workspace Safety

Keep the workspace clear of clutter and ensure it's well-lit. A clean, flat surface is essential.

## Read Instructions

Read the entire assembly guide before starting. Skipping steps can compromise safety.

## Use Proper Tools

Use the tools provided or recommended. Avoid overtightening screws.

## Secure Furniture

Anchor tall or heavy furniture to the wall to prevent tipping. This is crucial in homes with children or pets.

## Handle Small Parts

Keep small parts away from children and pets to avoid choking hazards.




## Get Help

Don't hesitate to ask for help with heavy or complex pieces.

## Inspect Regularly

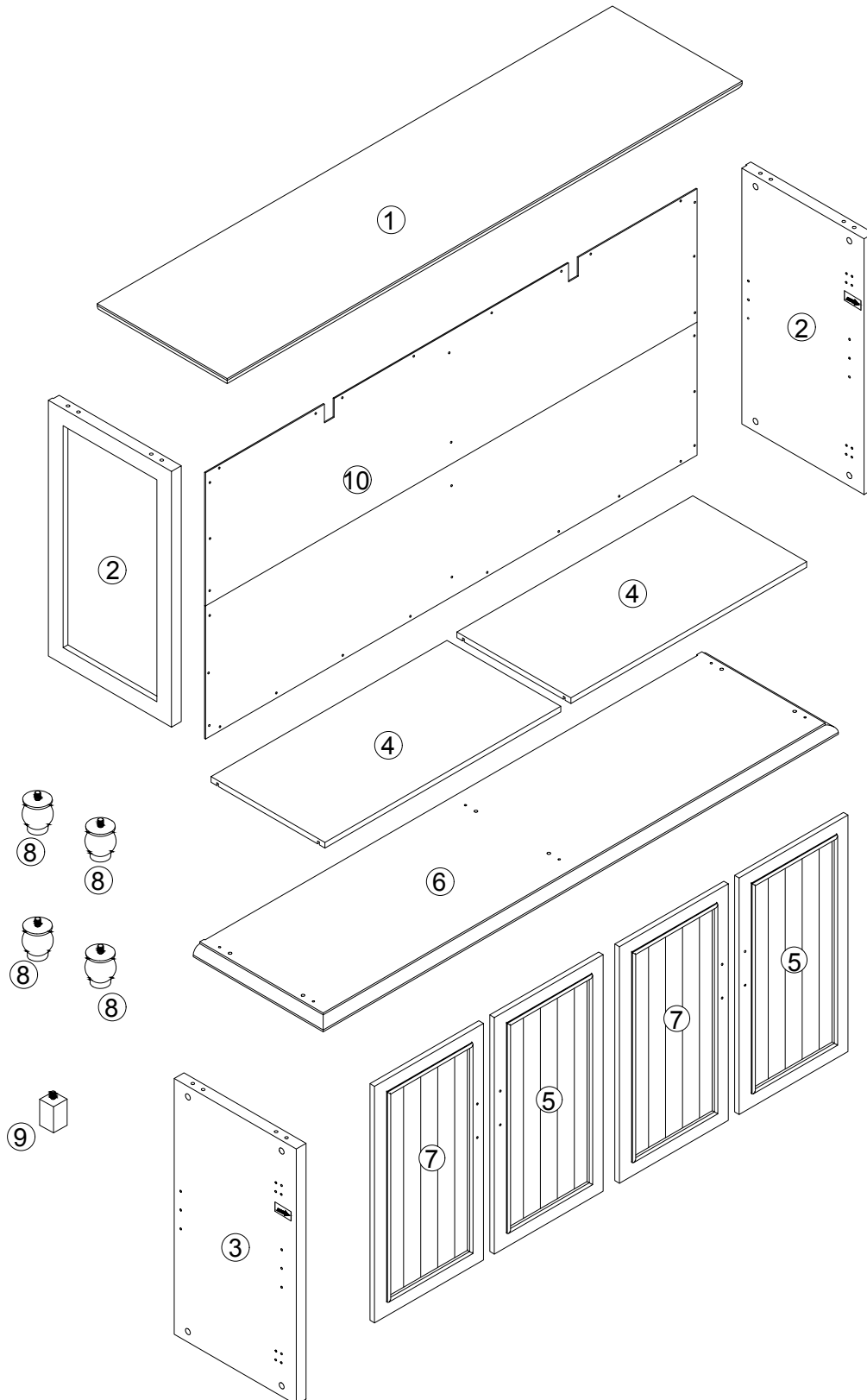
Periodically check for loose screws or wobbly parts and tighten as needed.

Follow these tips for a safe assembly process.

 <b>WARNING</b>	
	<p><b>Serious or fatal crushing injuries can occur from furniture tip-over. To help prevent tip-over:</b></p> <ul style="list-style-type: none"><li>• Install tipover restraint provided</li><li>• Place heaviest items in the lowest drawers</li><li>• Do not se TV's or other heavy objects on top of this product, unless the product is specifically designed to accommodate them.</li><li>• Never allow children to climb or hang on drawers doors or shelves.</li><li>• Never open more than one drawer at a tim</li></ul>
	<p>Use of tip-over restraints may only reduce, but not eliminate, the risk of tip-over.</p> <p>This is a permanent label. Do not remove!</p>

# ASSEMBLY DIAGRAM

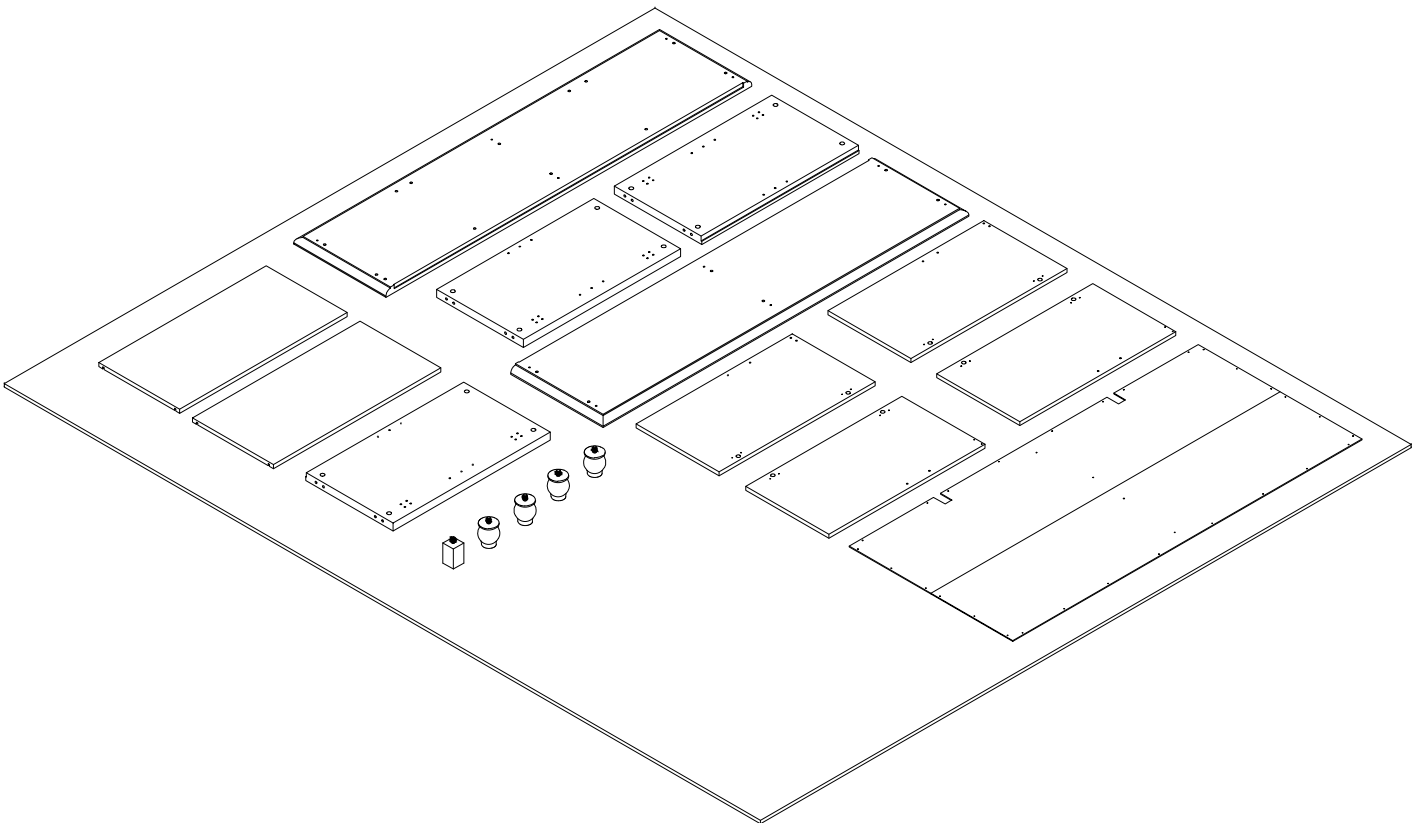
1. Refer to the exploded view below for the approximate location of each component.
2. Each part is labeled for easy identification.
3. Follow the assembly instructions carefully to ensure proper installation.




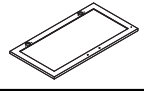
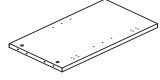
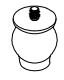
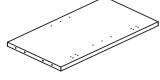
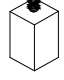
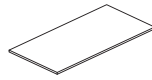
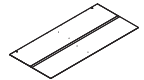
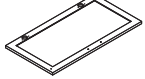



## PRE-ASSEMBLY PREPARATION

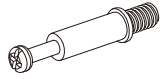
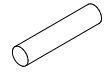

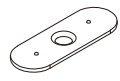
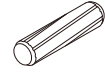

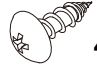

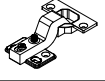


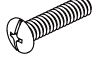



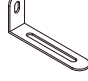

Before assembly, place all furniture parts on a soft surface, such as a blanket or the original packaging cardboard, to prevent damage to the floor or components from accidental drops and to avoid scratching the surfaces.



# PARTS LIST

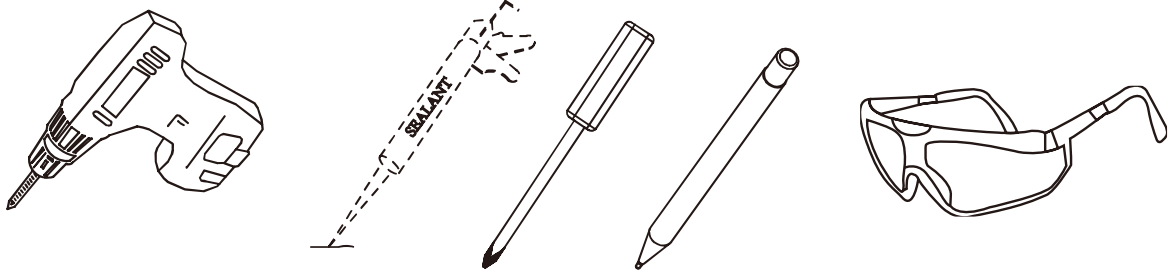
No.	Description	QTY	No.	Description	QTY
1		1	7		2
2		2	8		4
3		1	9		1
4		2	10		1
5		2			
6		1			

# HARDWEAR LIST

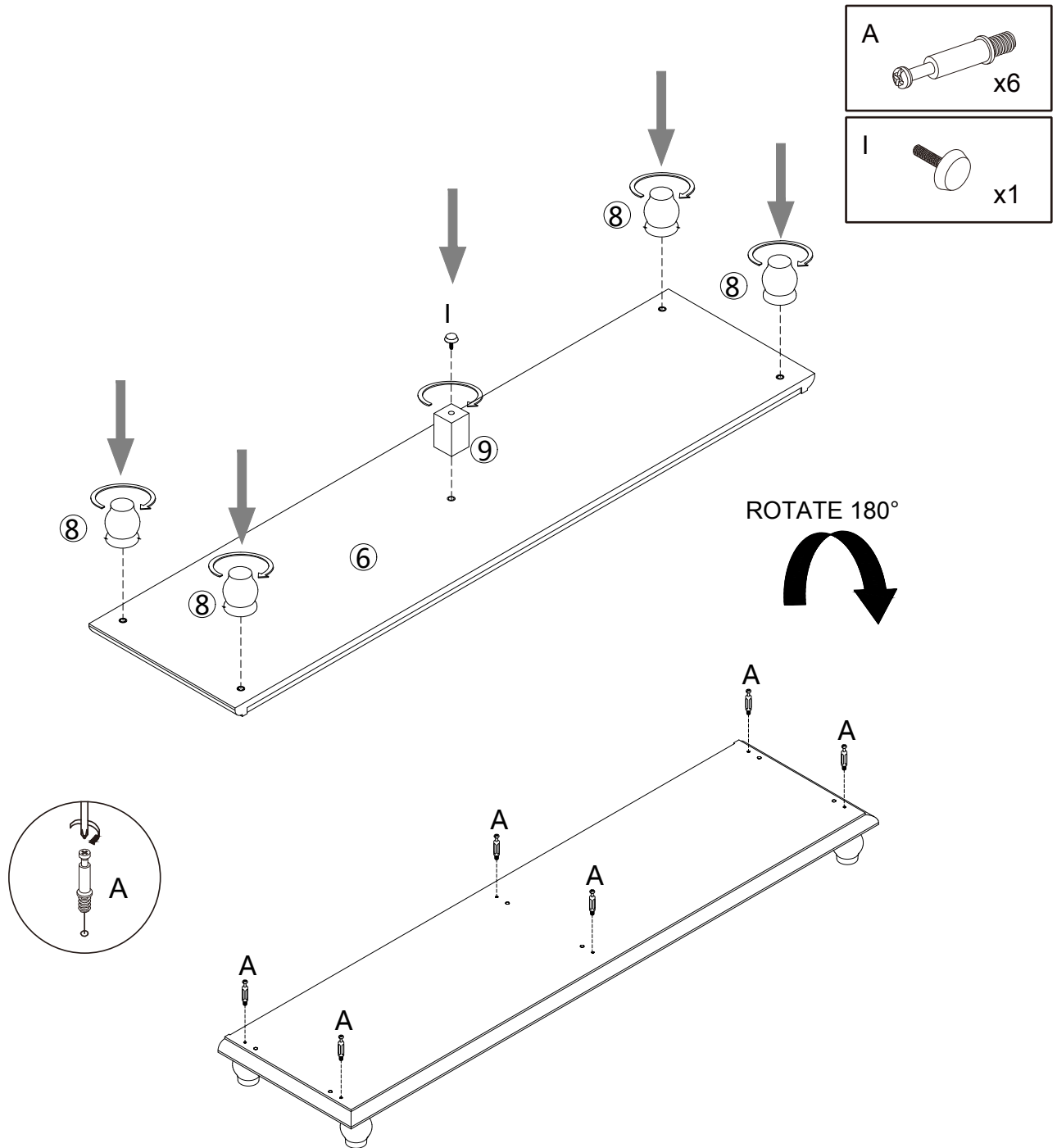
No.	Description	QTY	No.	Description	QTY
A		12	J		8
B		12	K		4
C		12	L	 4X35mm	2
D	 4X12mm	2	M		2
E		8	N	 3X12mm	32
F	 4X12mm	48	O	 4X16mm	8
G	 3X14mm	8	P		4
H		2	Q		2
I		1			

**CAUTION:** Please confirm the parts list before installtion

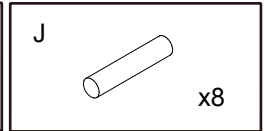
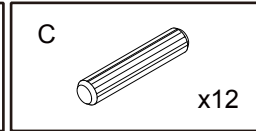
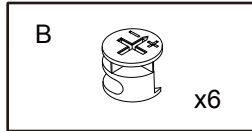
# YOU MAY NEED (NOT SUPPLIED)



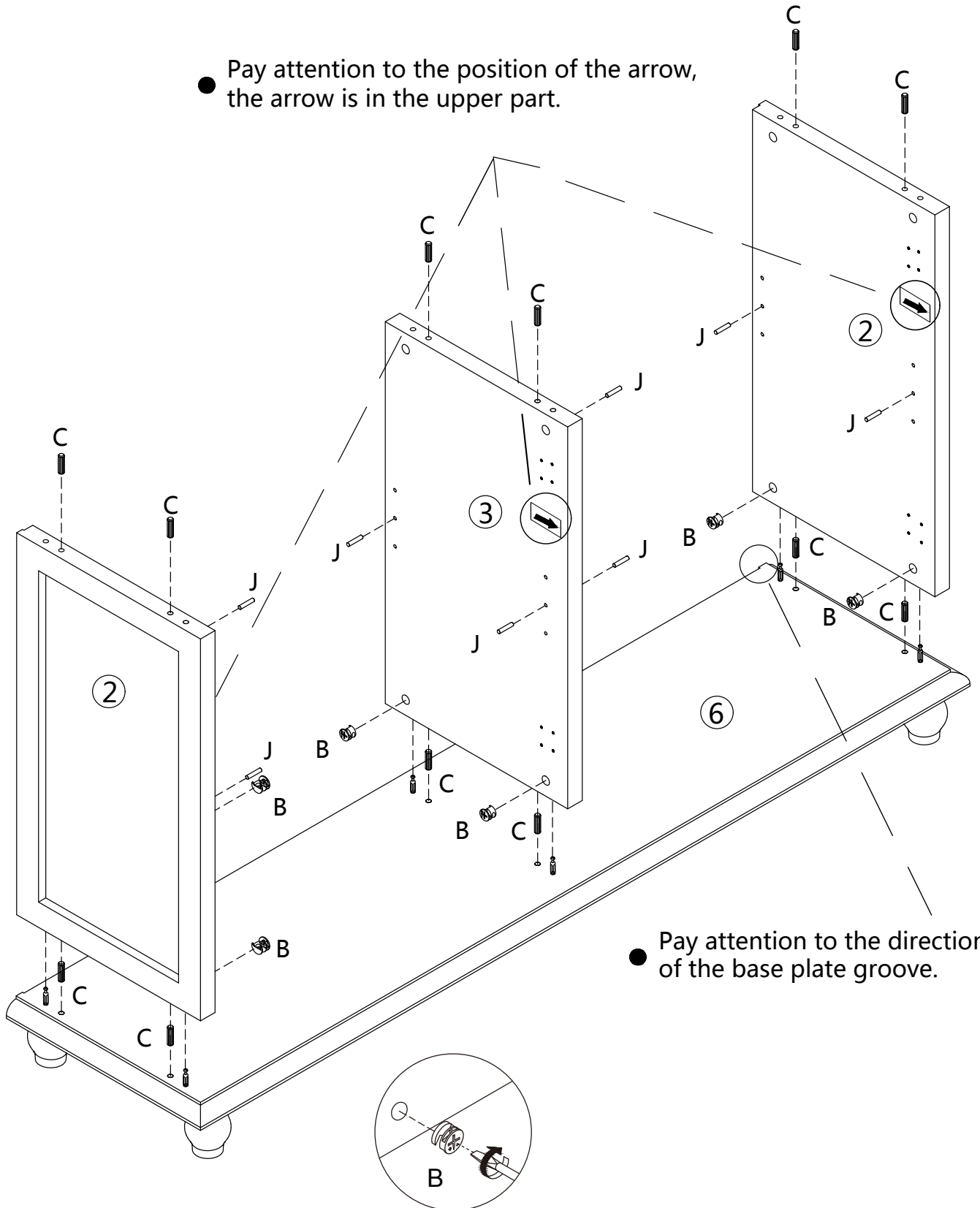
**1**



# 2

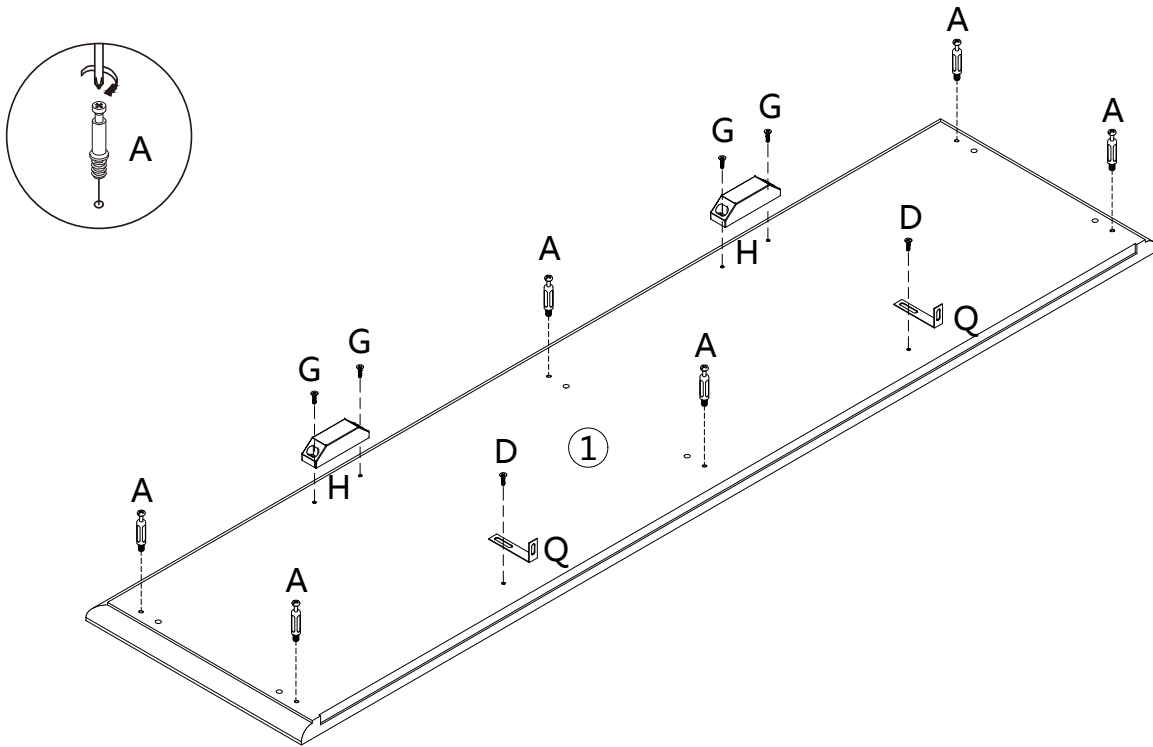
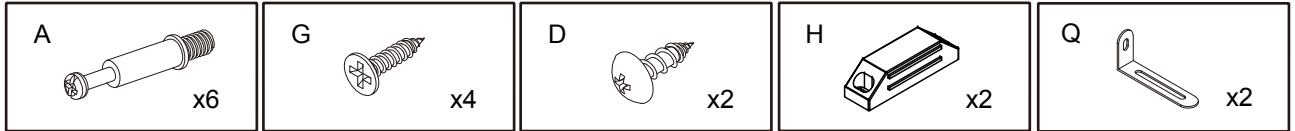


● Pay attention to the position of the arrow, the arrow is in the upper part.

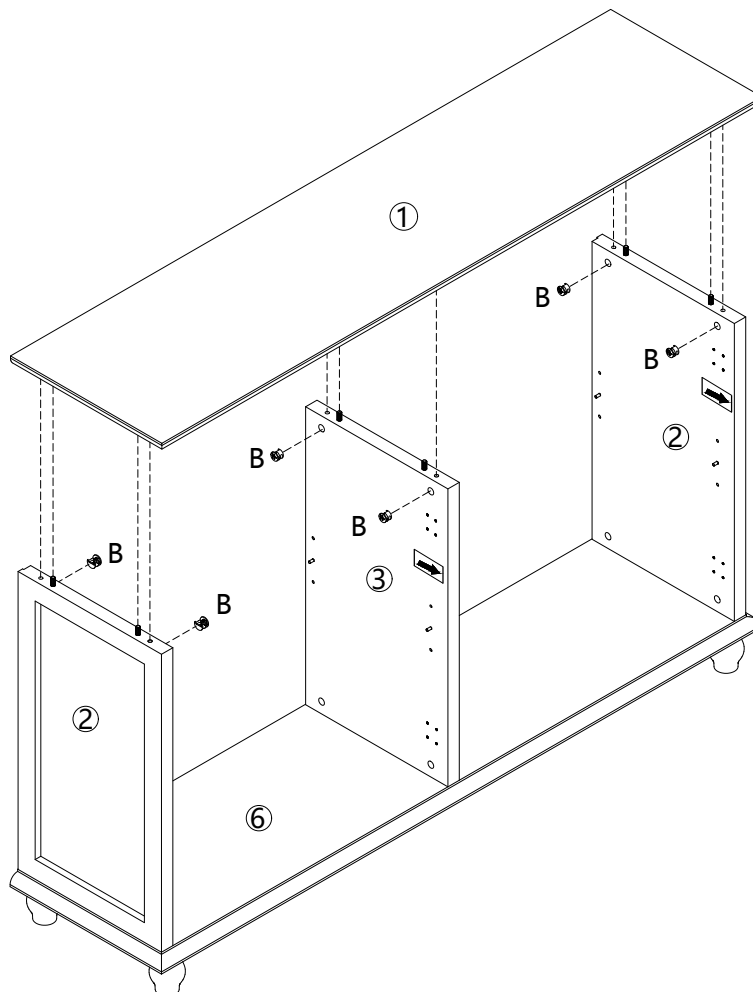
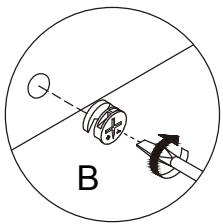
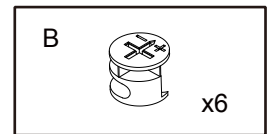


● Pay attention to the direction of the base plate groove.

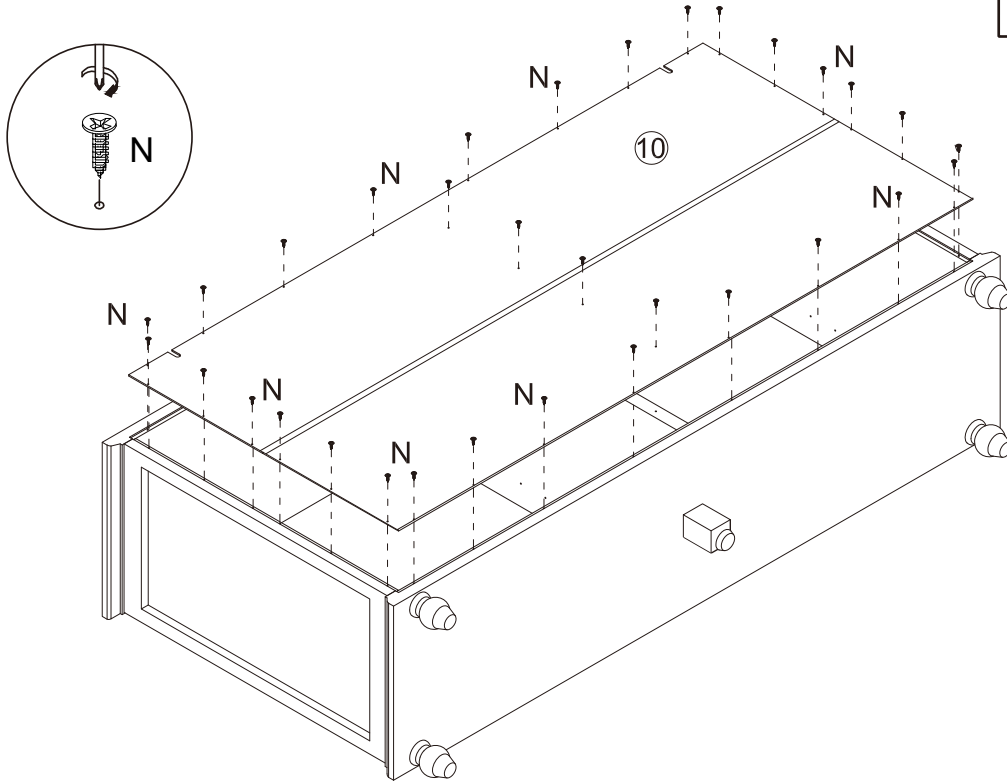
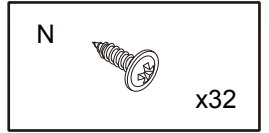
# 3



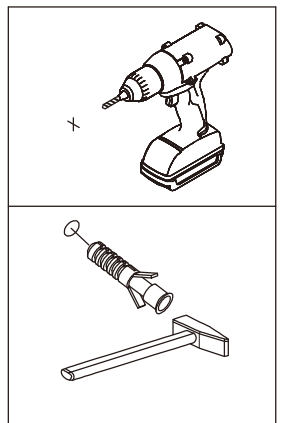
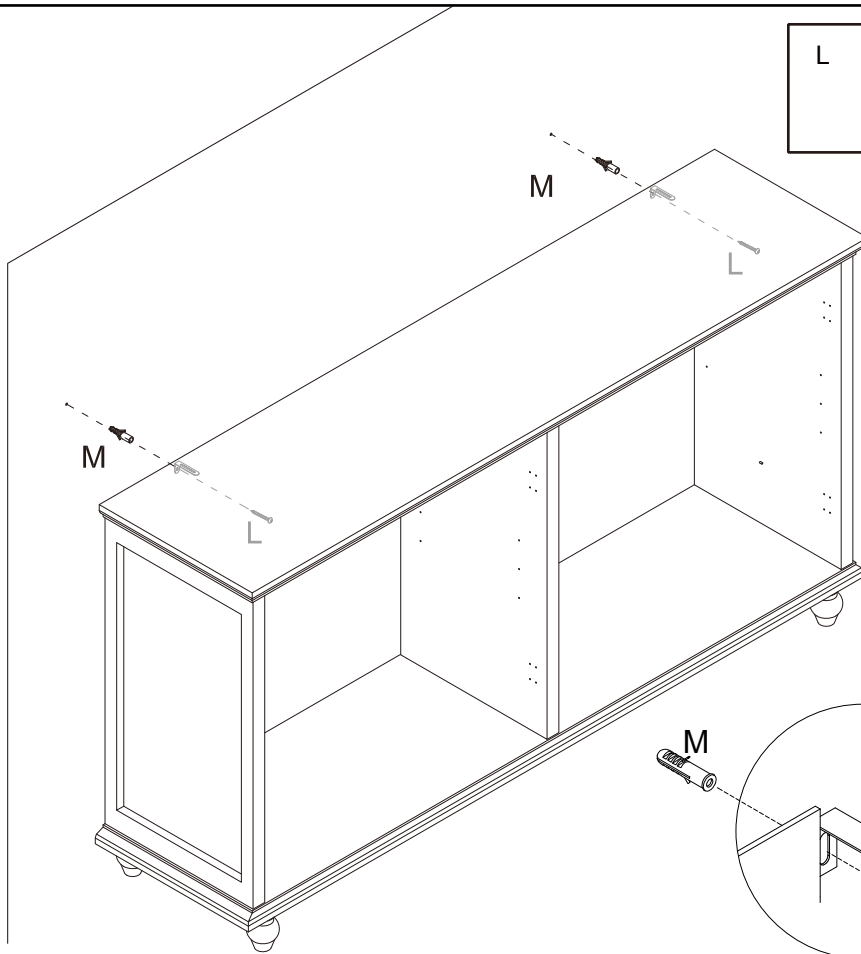
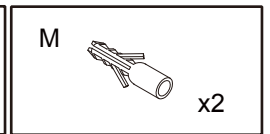
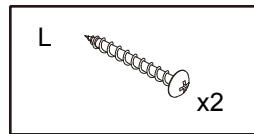
# 4



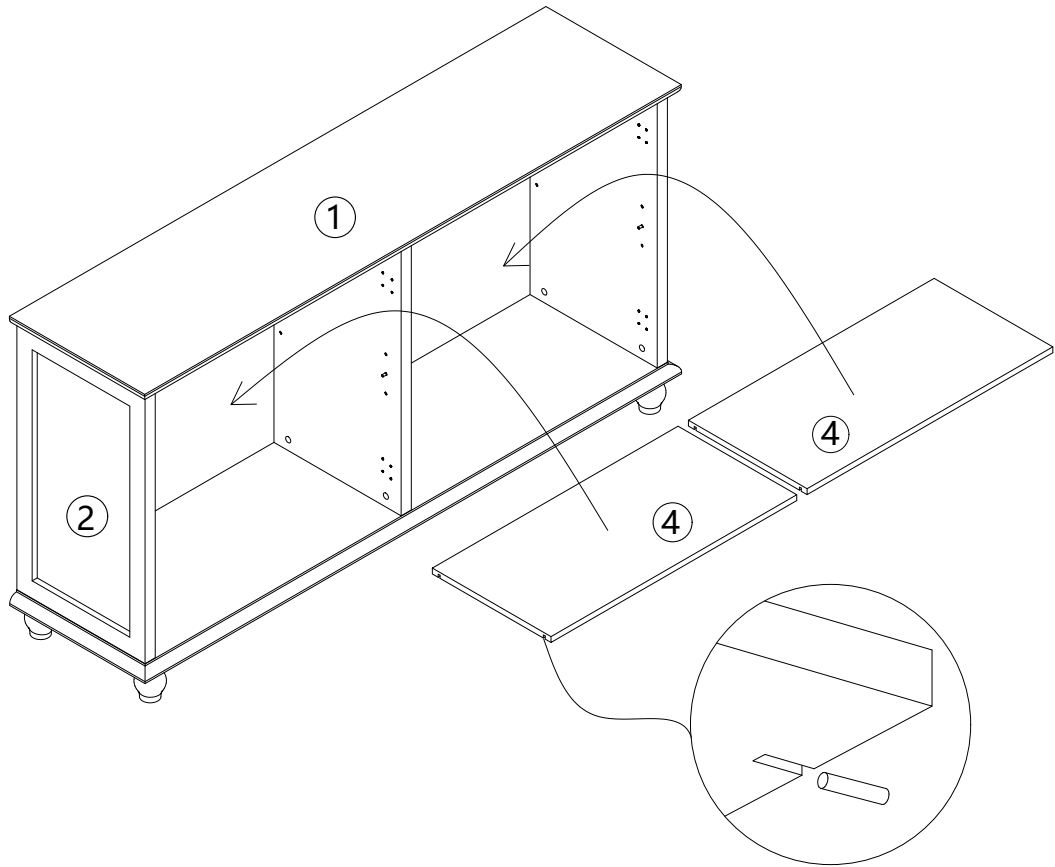
5



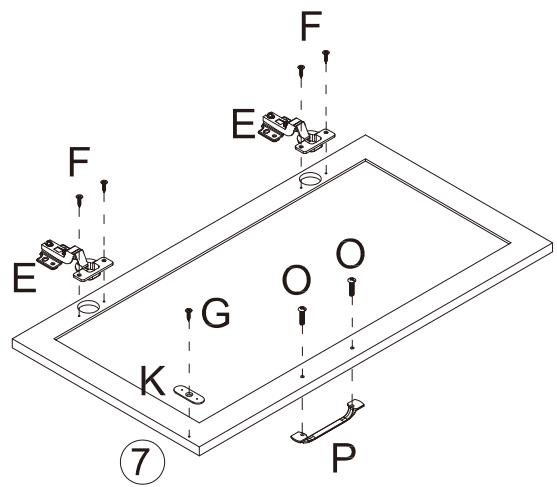
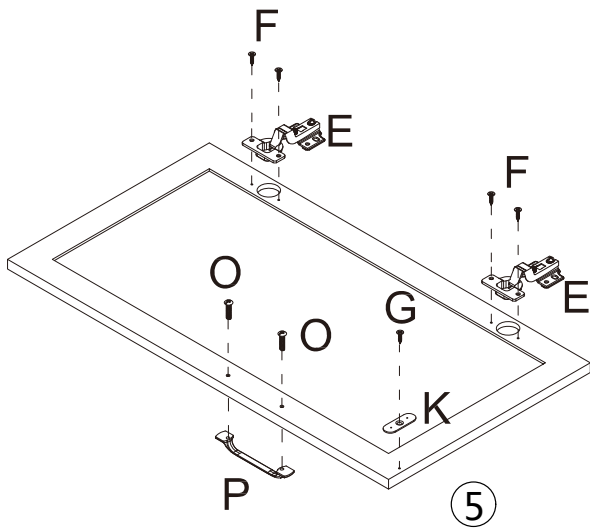
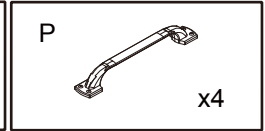
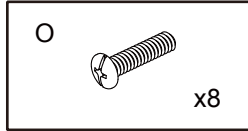
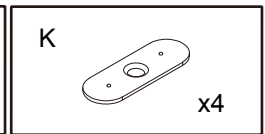
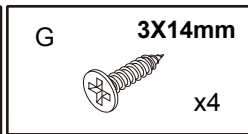
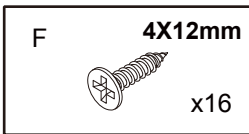
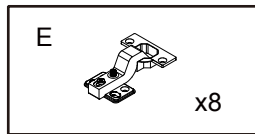
6



# 7



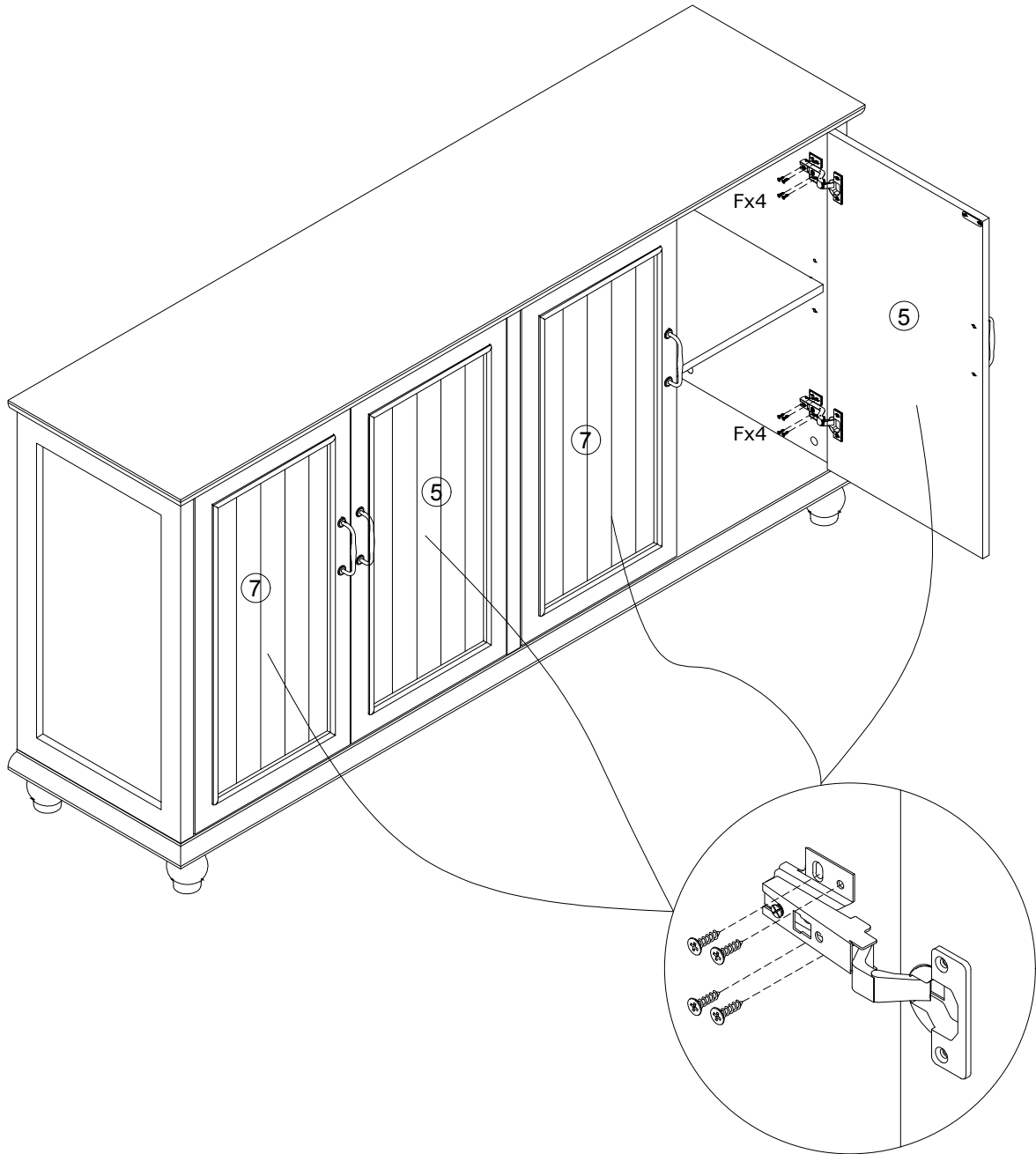
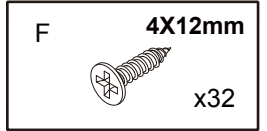
# 8



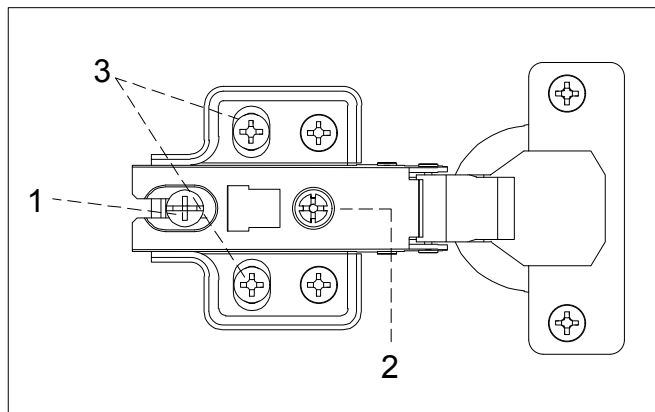
x2

x2

9



# 10

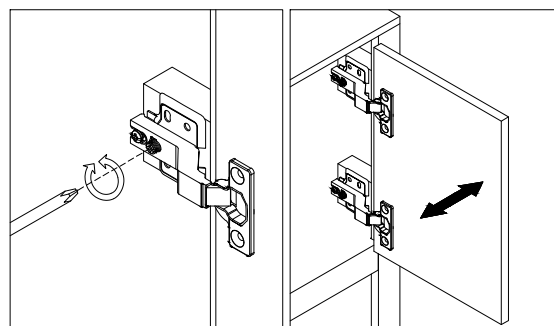


## Hinge Adjustment Guide

Three-way adjustable hinge for perfectly aligned doors

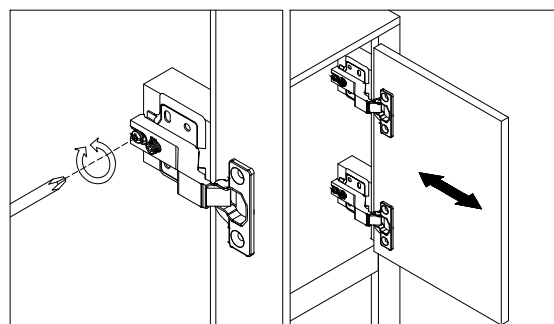
### Sideways/Gap Adjustment

Turning the screw "2" on the hinges of each door allows you to adjust the door to the left or right by a few millimeters.



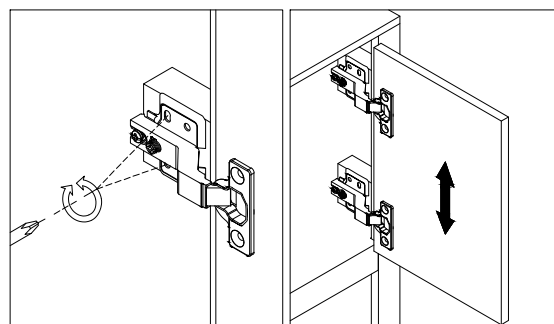
### Forward/Backward Alignment

Loosen screw "1" to adjust the door forward or backward. After adjustment, tighten screw "1".



### Vertical Height Adjustment

Loosen screw "3" to adjust the door up or down. After adjustment, hold the door panel and tighten screw "3".



# THANK YOU

Thank you for choosing our product. We sincerely hope that the assembly process has been smooth and enjoyable for you. If you have any questions or suggestions during the use of the product, please feel free to contact us.

