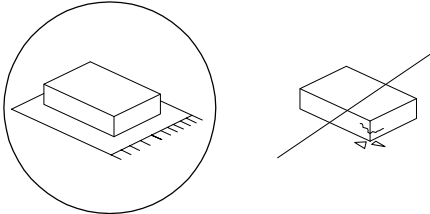

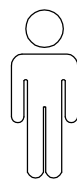
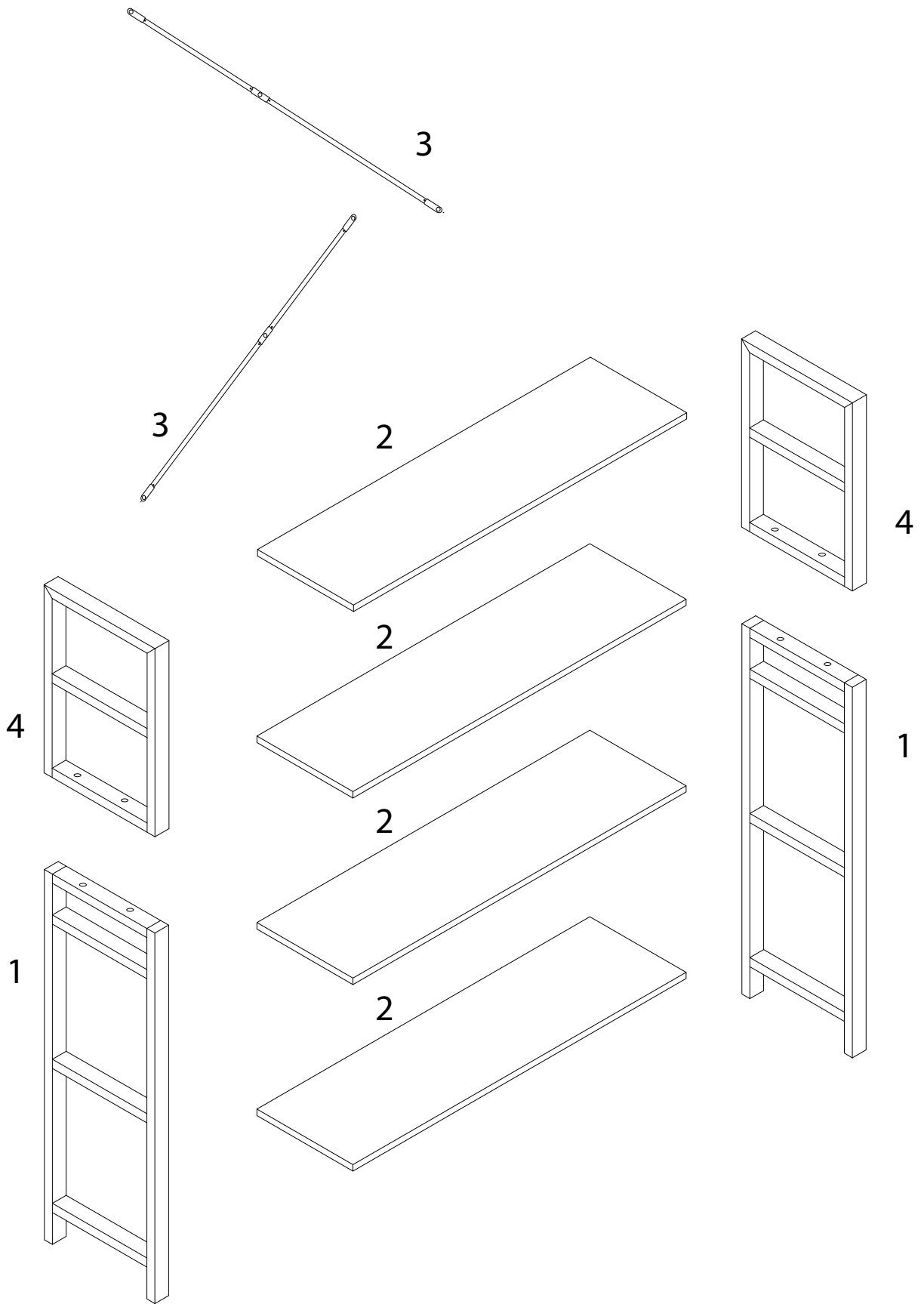
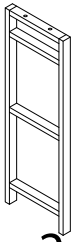

		<b>40'</b>
		
		<b>2</b>

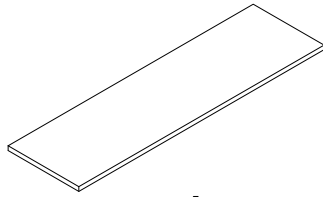


1



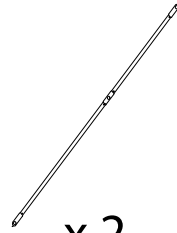
x 2

2



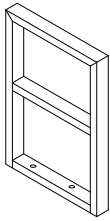
x 4

3



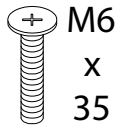
x 2

4



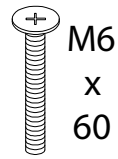
x 2

G



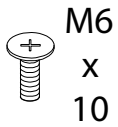
x 20

K



x 4

N



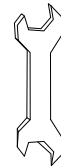
x 1

V



x 9

W



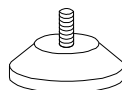
x 1

X



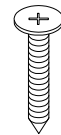
x 1

Y



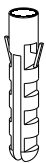
x 4

Z1



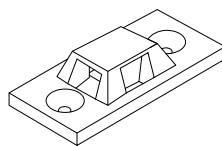
x 4

Z2



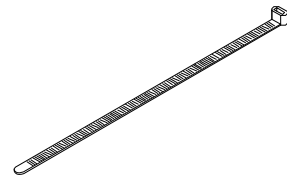
x 4

Z3



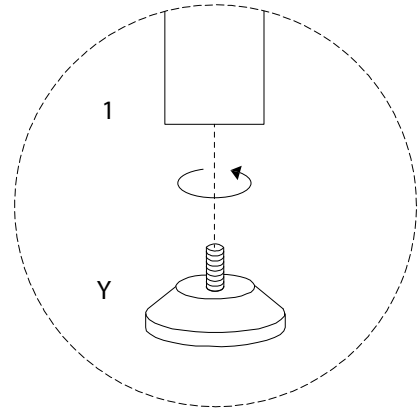
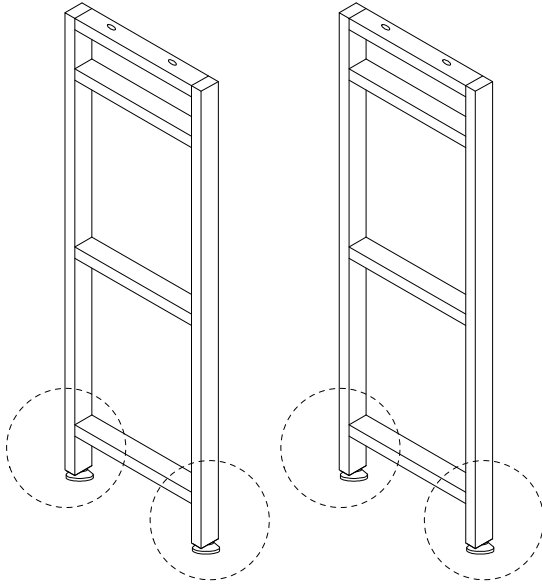
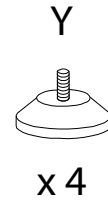
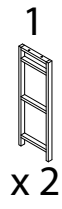
x 2

Z4

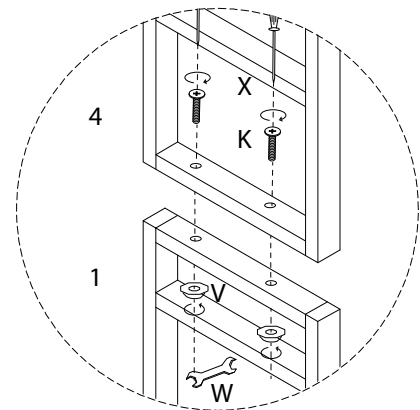
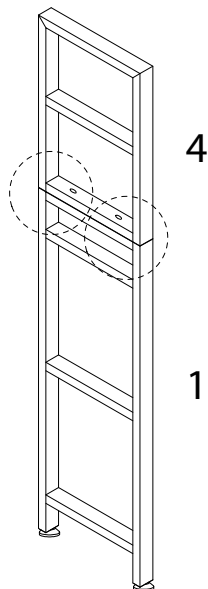
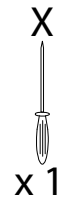
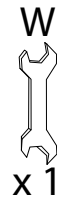
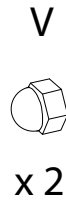
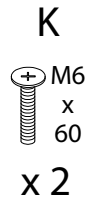
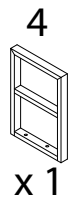


x 2

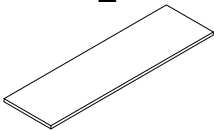
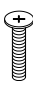

1

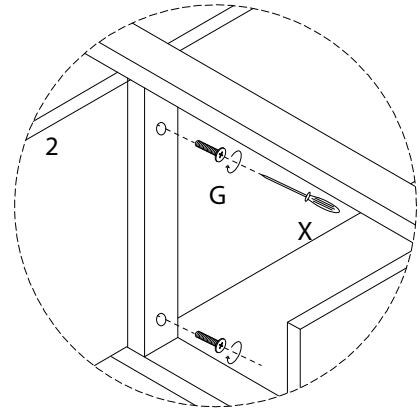
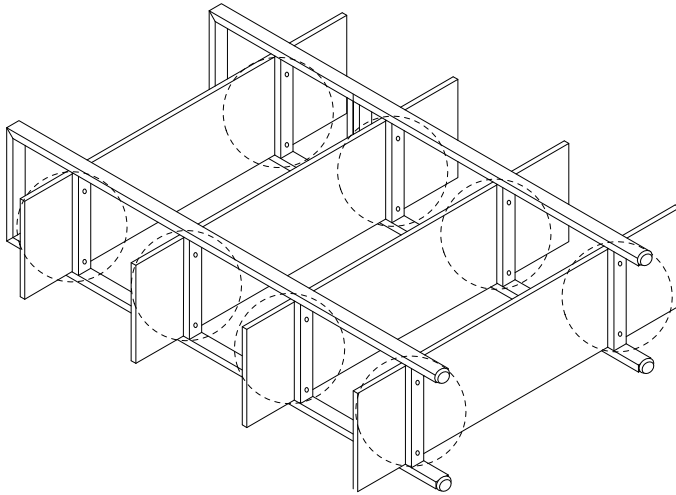


2 x 2



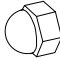
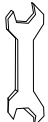



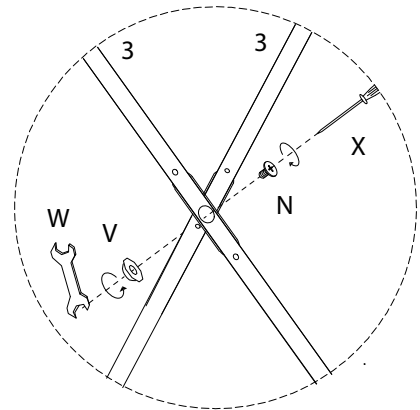
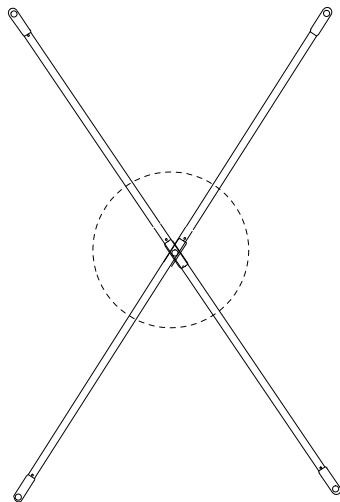
3

<p>2</p>  <p>x 4</p>	<p>G</p>  <p>M6 x 35</p> <p>x 16</p>	<p>X</p>  <p>x 1</p>
---	---	---


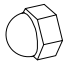
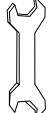



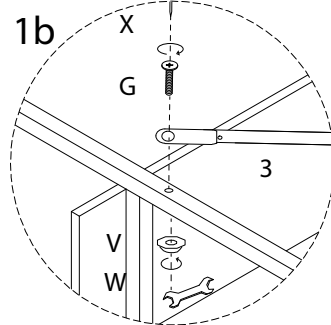
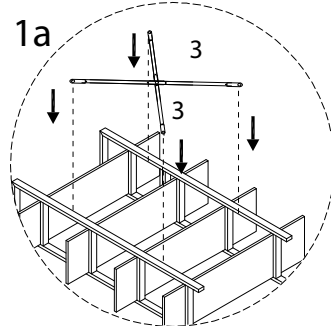
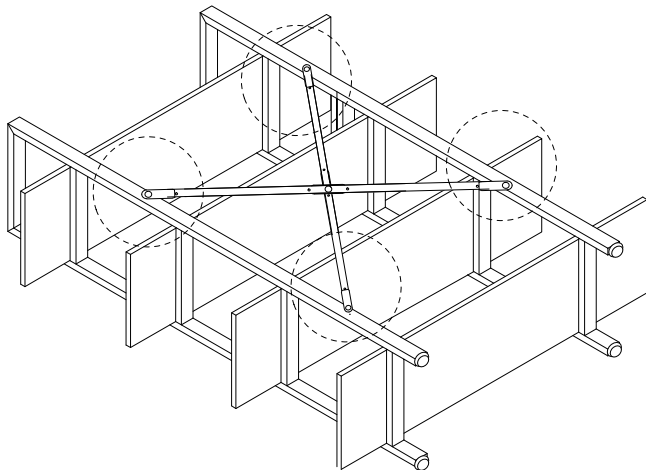
4

<p>3</p>  <p>x 2</p>	<p>N</p>  <p>M6 x 10</p> <p>x 1</p>	<p>V</p>  <p>x 1</p>	<p>W</p>  <p>x 1</p>	<p>X</p>  <p>x 1</p>
---	--	---	---	---

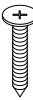

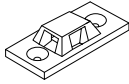



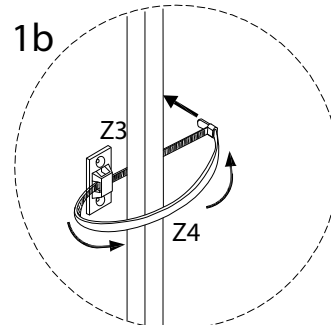
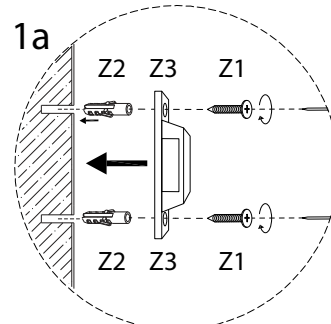
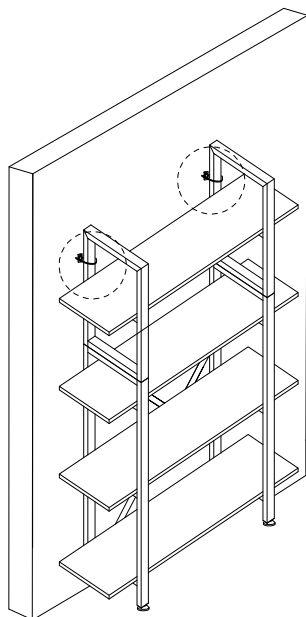
5

<b>G</b>  M6 x 35 x 4	<b>V</b>  x 4	<b>W</b>  x 1	<b>X</b>  x 1
---	--	--	--



6

<b>Z1</b>  x 4	<b>Z2</b>  x 4	<b>Z3</b>  x 2	<b>Z4</b>  x 2
---	---	--	---



!

