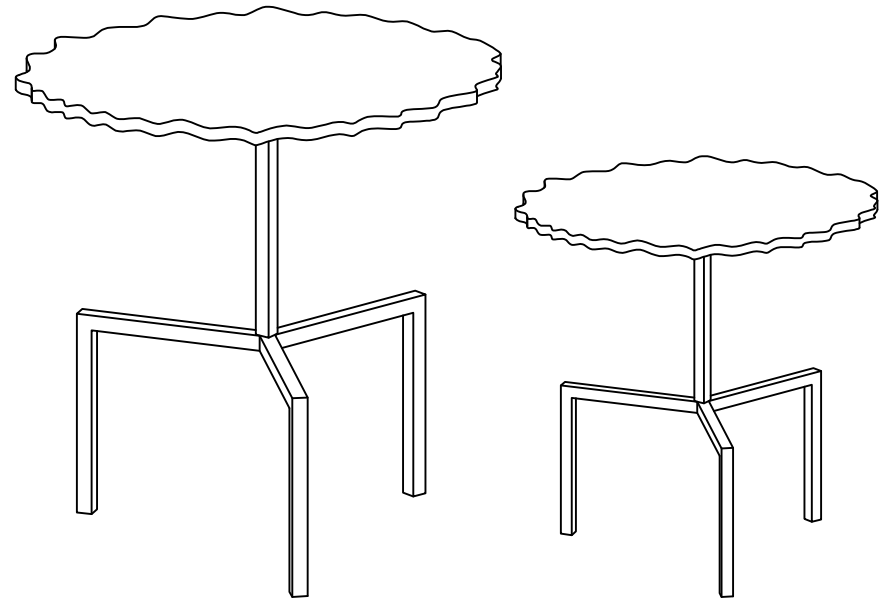


CARE AND MAINTENANCE


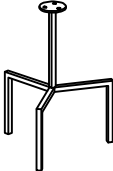


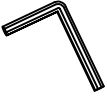

1. Do not use acids or alkaline cleaning agents.
2. Sharp object will damage and scratch the surface.
3. Wipe the surface with a soft, damp cloth.
4. Please make sure that you have all parts indicated before you begin assembly of this item.
5. This item should be assembled on a soft surface to prevent scratching the finish during assembly.
6. This item may require periodic tightening.

WHITE MARBLE TABLE SET OF 2

ASSEMBLY INSTRUCTIONS

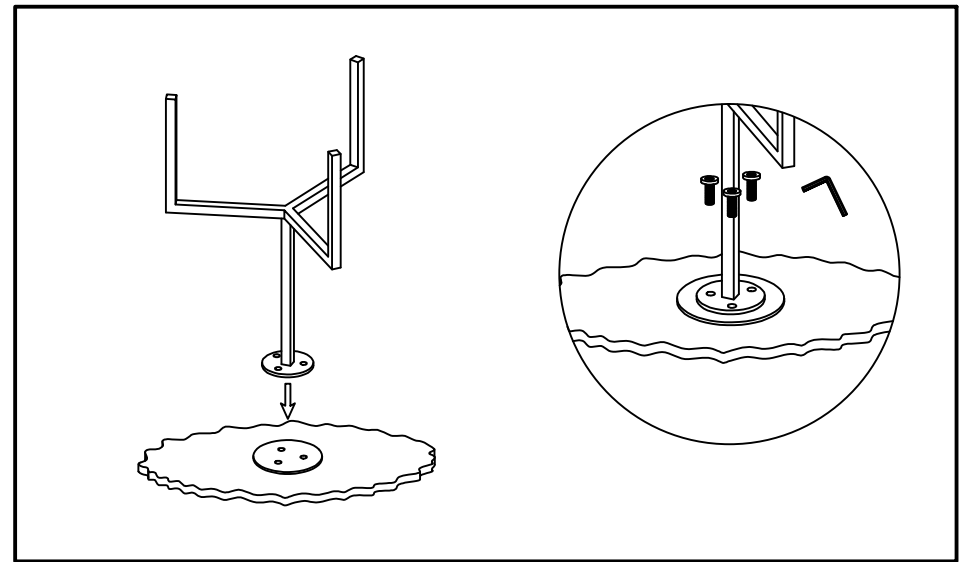


Part List and Hardware List

PART	DESCRIPTION	PICTURE	QUANTITY
A	BIG MARBLE TABLE TOP		1x
B	BIG TABLE BASE		1x
C	SMALL MARBLE TABLE TOP		1x
D	SMALL TABLE BASE		1x
E	ALLEN-KEY		1x
F	ALLEN BOLT		6x

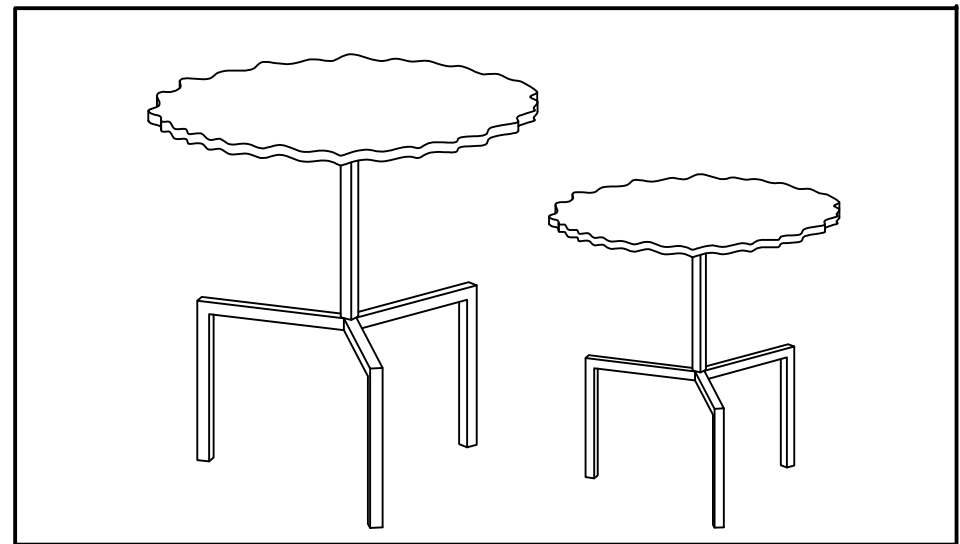
PREPARATION

Before beginning assembly of product , make sure all parts are present. Compare parts with package contents list or hardware contents list If any part is missing or damage , do not attempt to assemble the product. Estimated Assemble Time : 10 minutes



Step - 1

Place the big marble top upside down on a clean surface. Now match its holes with holes in the plate of big iron base and screw them firmly with the given hardware. Repeat the same with other base & top also.



Step - 2

Tables are ready to use.