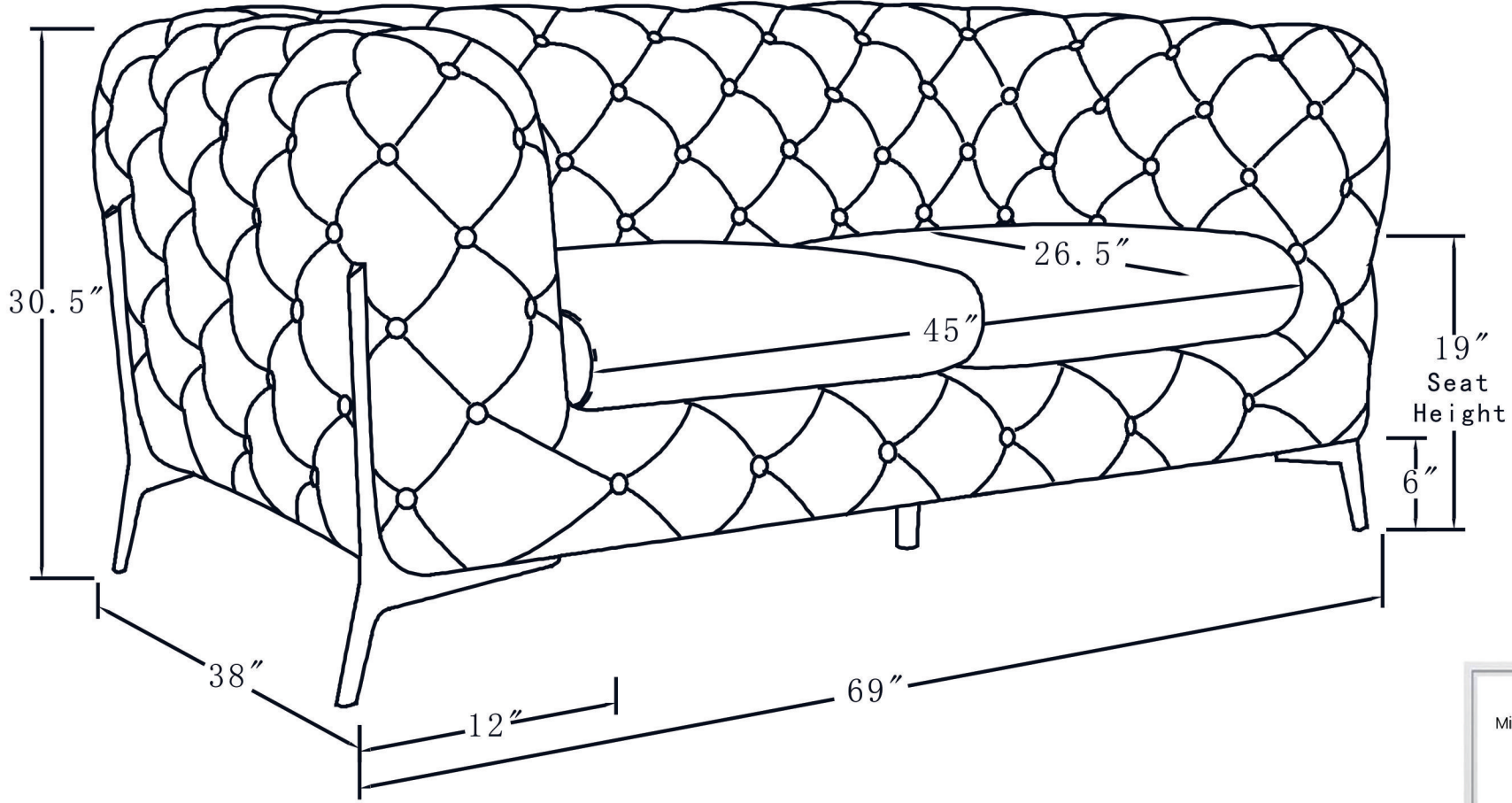
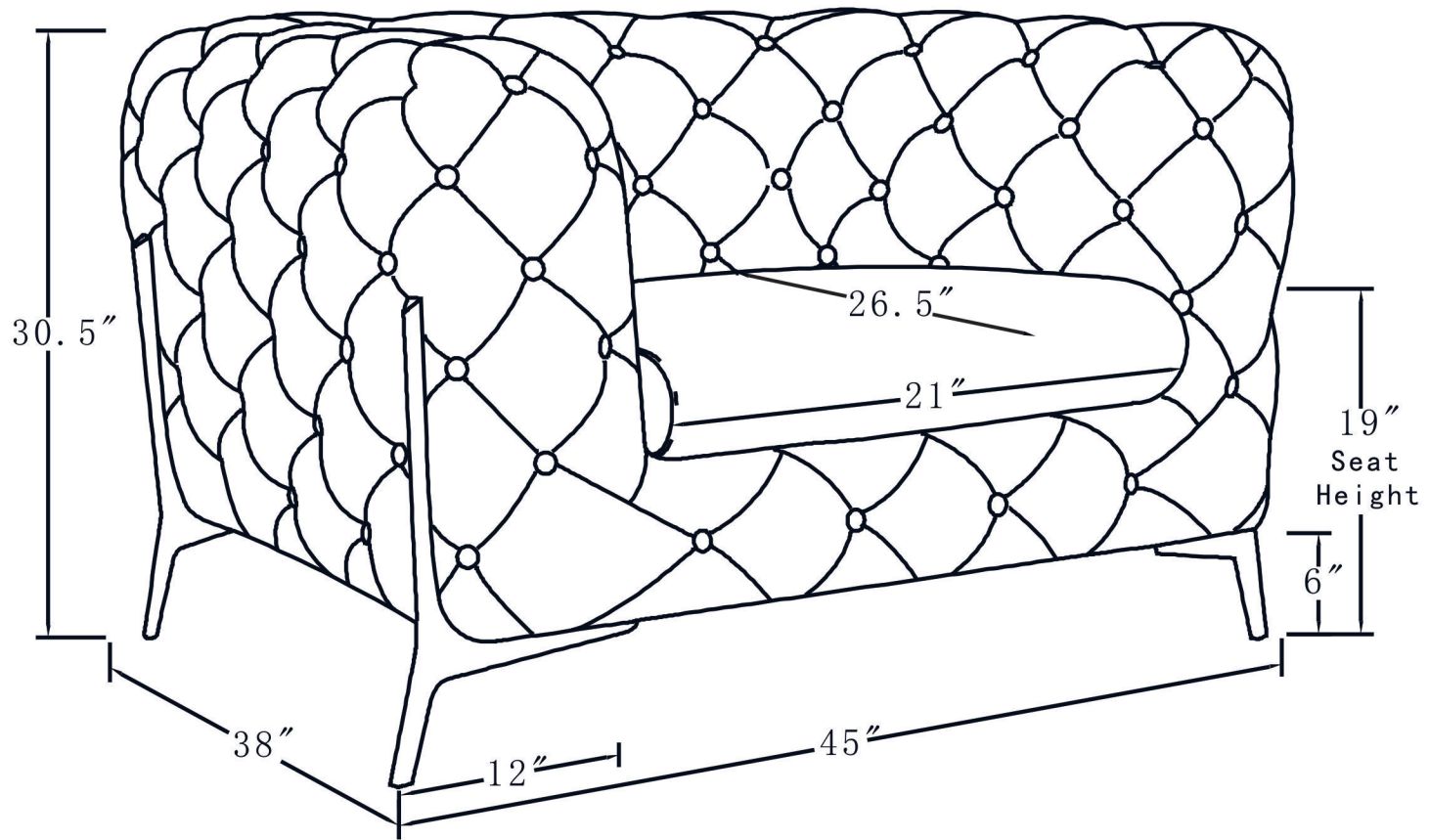


*Rotate Chair 90° to fit through the door before attaching backrest



*Rotate Chair 90° to fit through the door before attaching backrest



*Rotate Chair 90° to fit through the door before attaching backrest