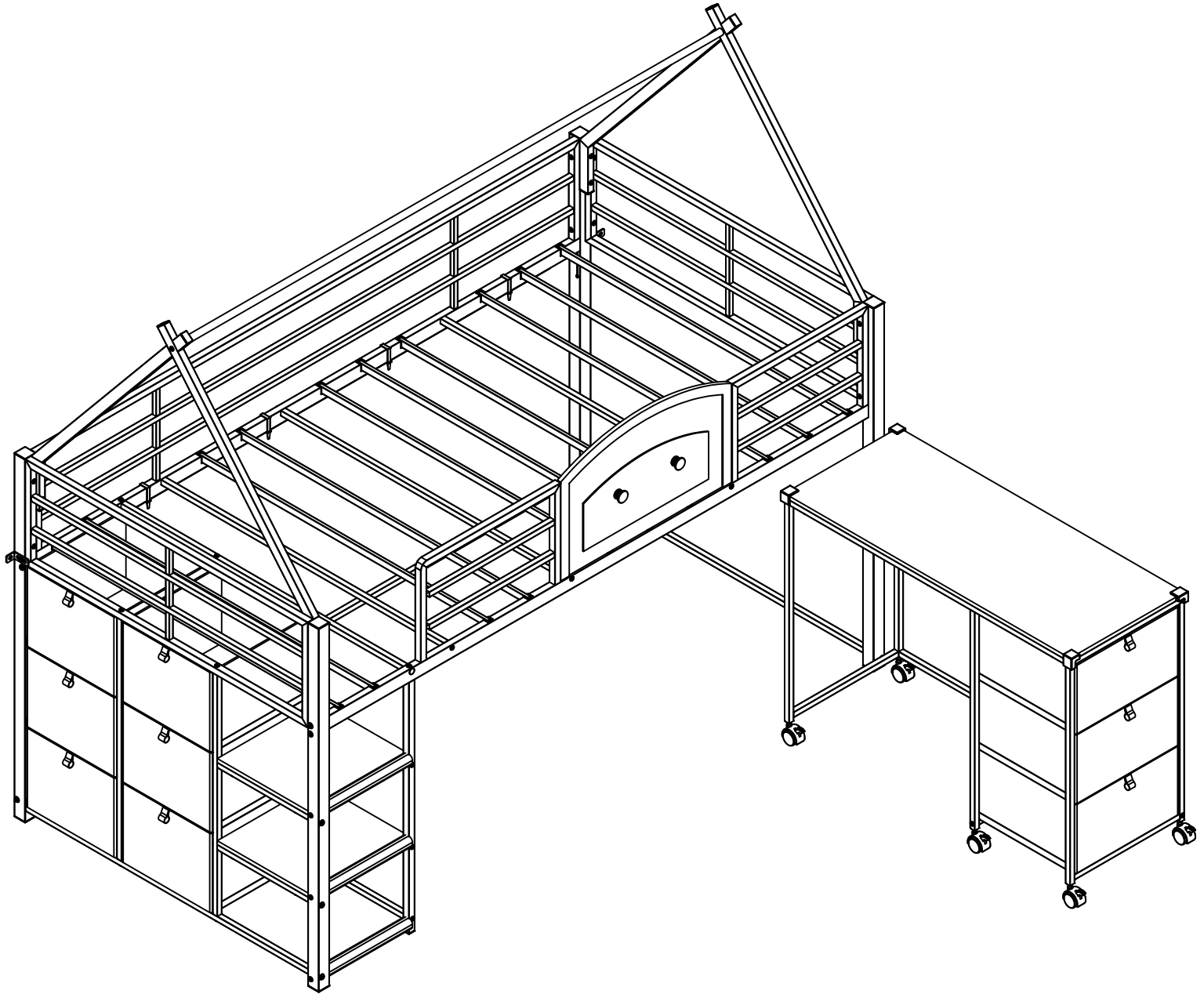
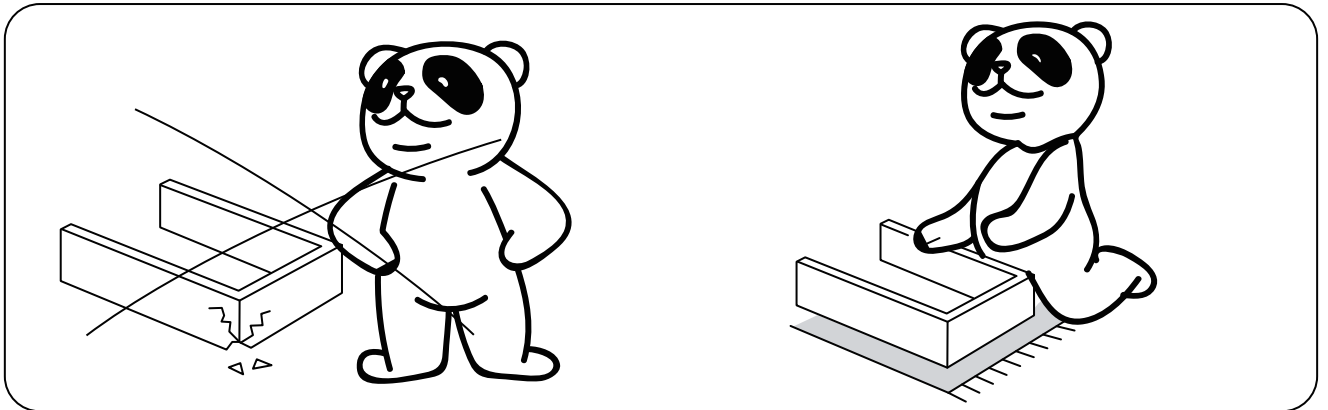
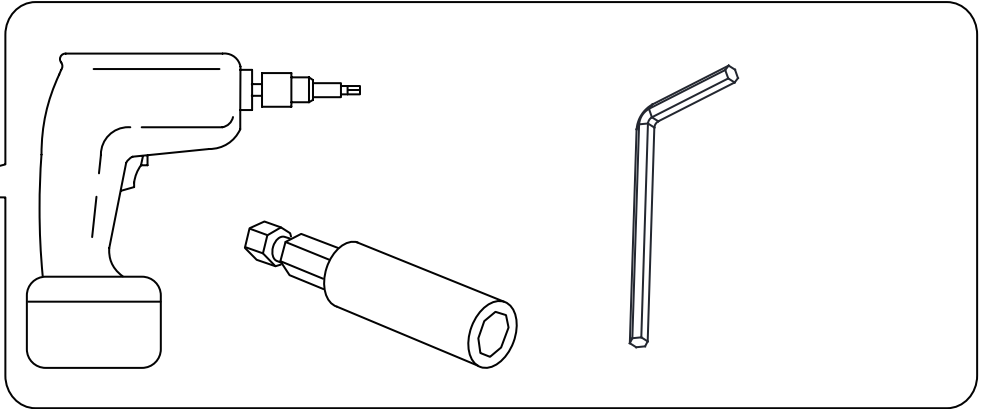
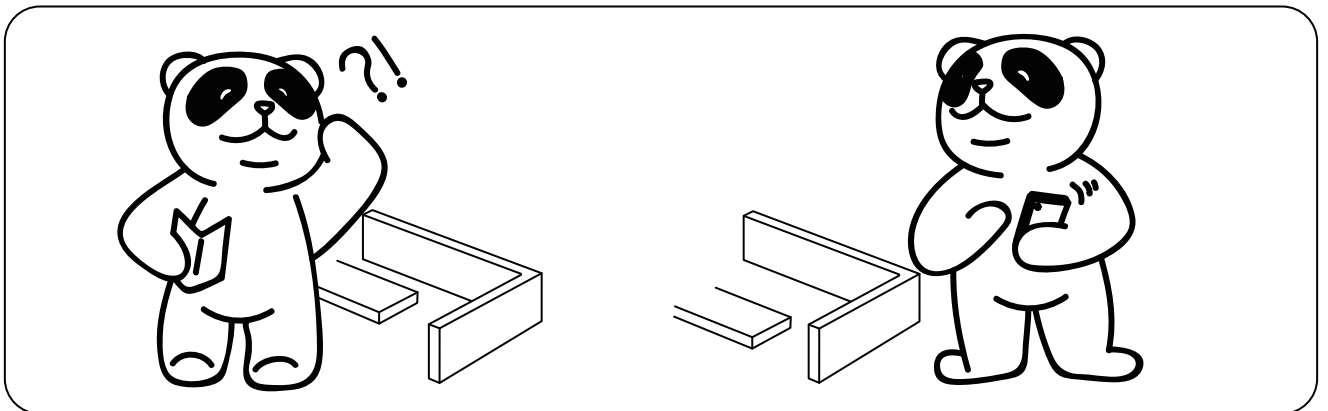


# Loft Bed

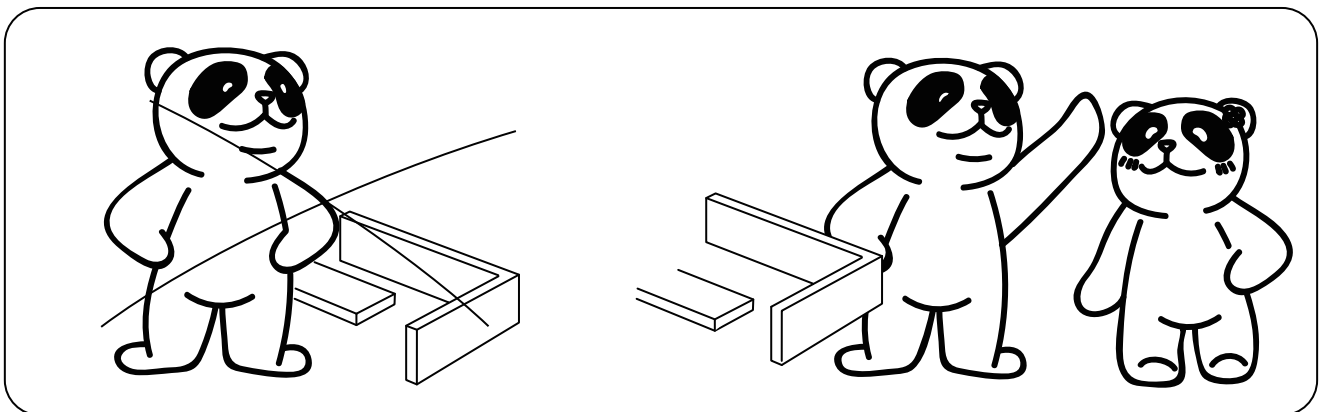




Violent installation is prohibited



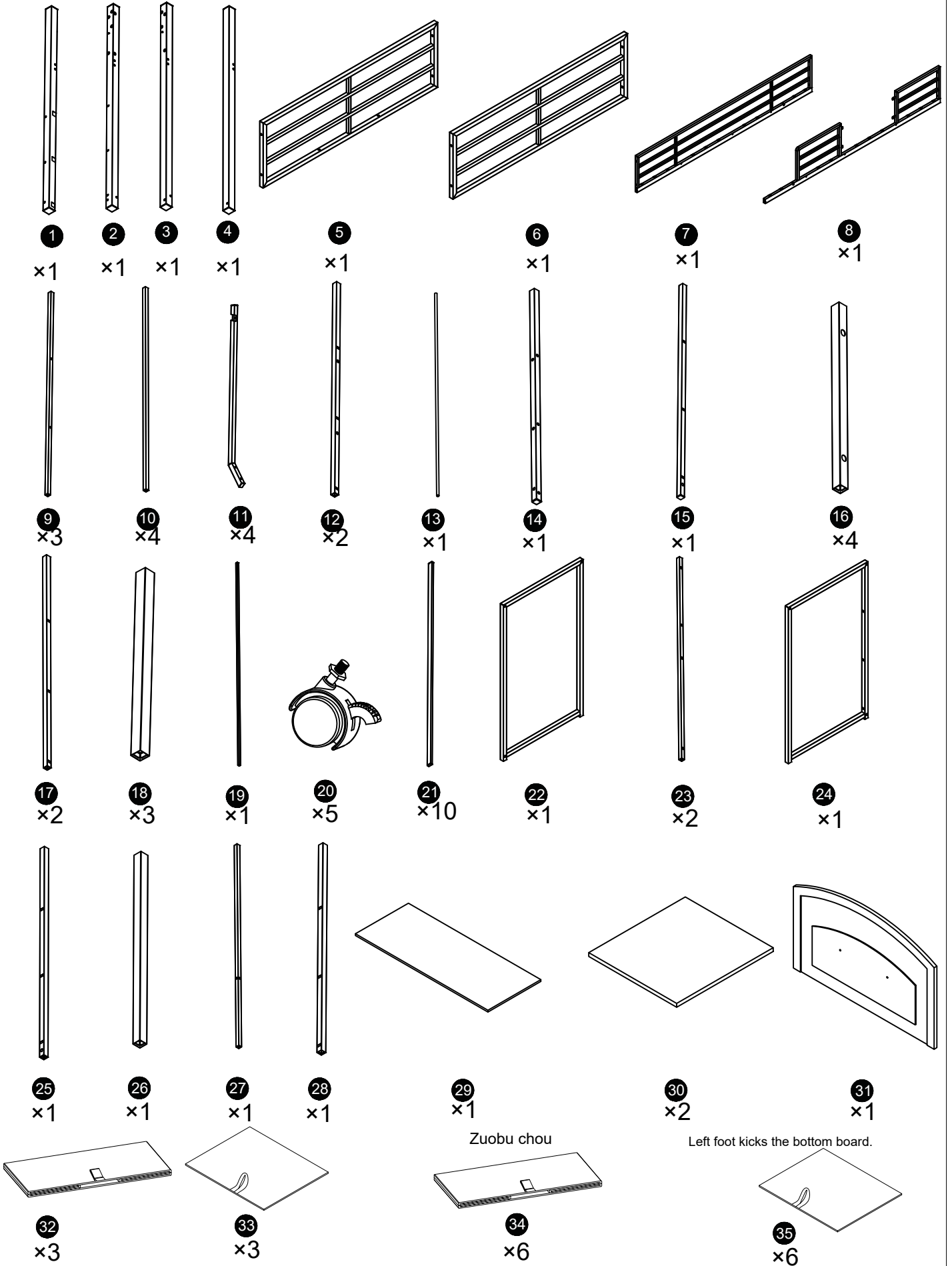
Please call if you need help



Multi-person cooperation is recommended

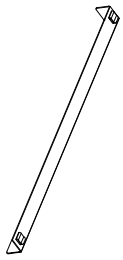
# Install parts

## PARTS LIST

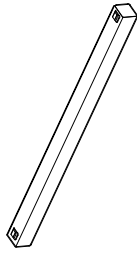


# Install parts

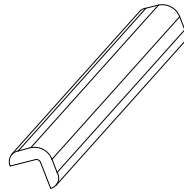
## HARDWARE LIST



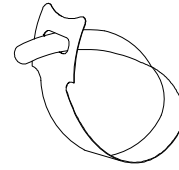
36  
x9



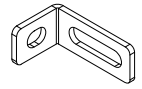
37  
x9



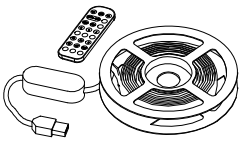
38  
x3



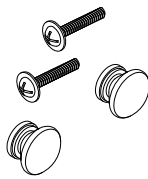
39  
x4



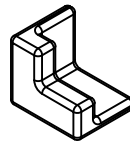
40  
x2



41  
x1



42  
x1



43  
x4

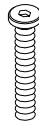
## HARDWARE LIST



**A**  
M6\*10  
x4+1



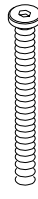
**B**  
M6\*25  
x23+2



**C**  
M6\*40  
x49+3



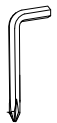
**D**  
M6\*50  
x8+1



**E**  
M6\*60  
x18+1



**F**  
M6 washer  
x14+1



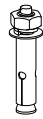
**G**  
4#  
x1



**H**  
4#  
x1



**I**  
M6  
x1



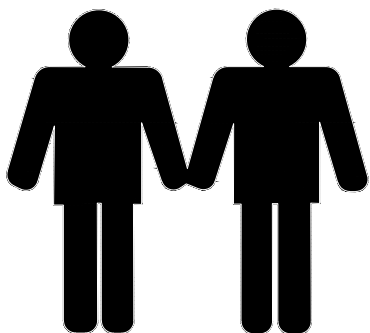
**J**  
M6  
x2



**K**  
Ø14  
x2

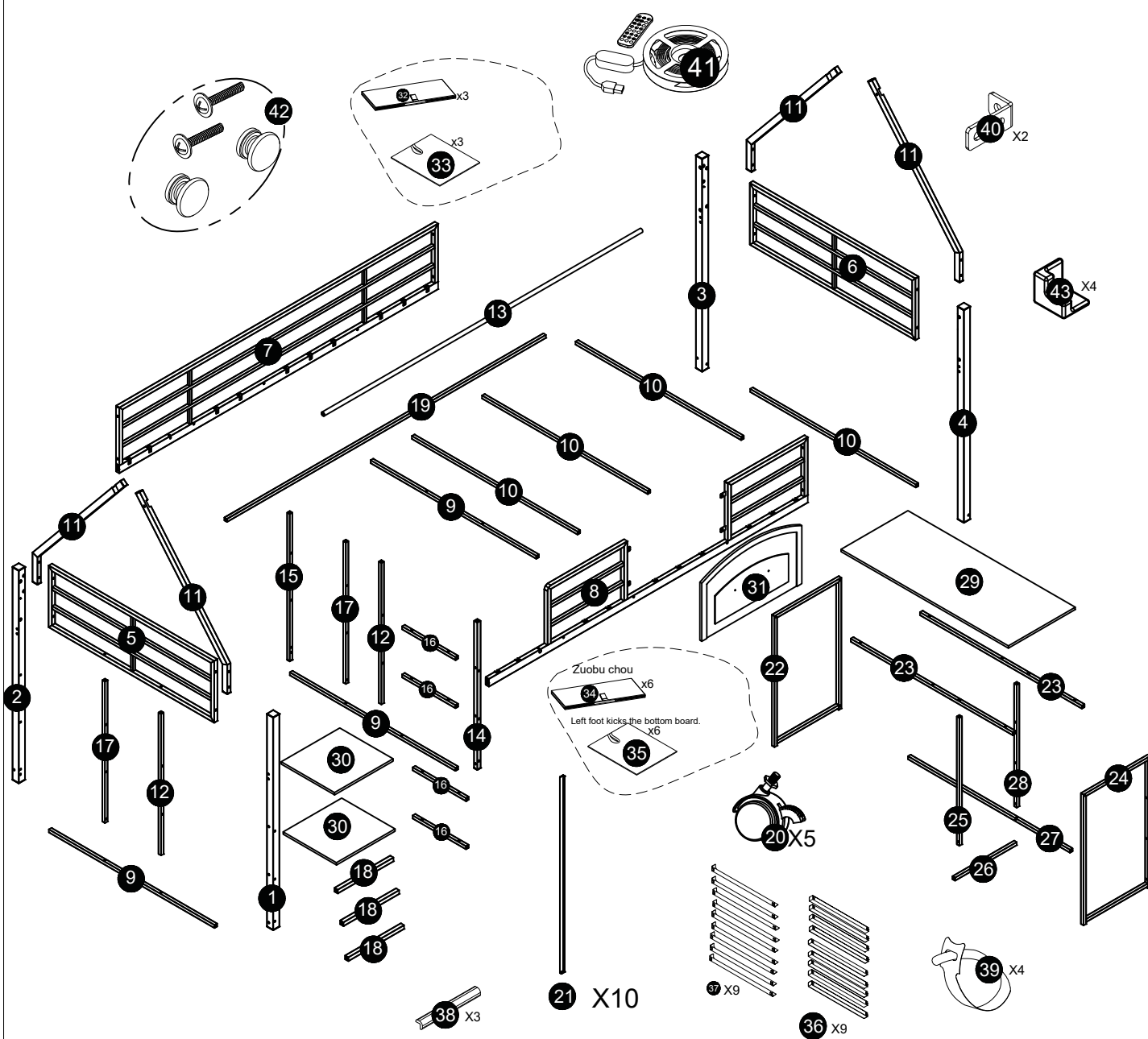
**Note:**

- 1, Should be assembled on flat ground to keep balance.
- 2. Before completing the installation, do not tighten the screws.

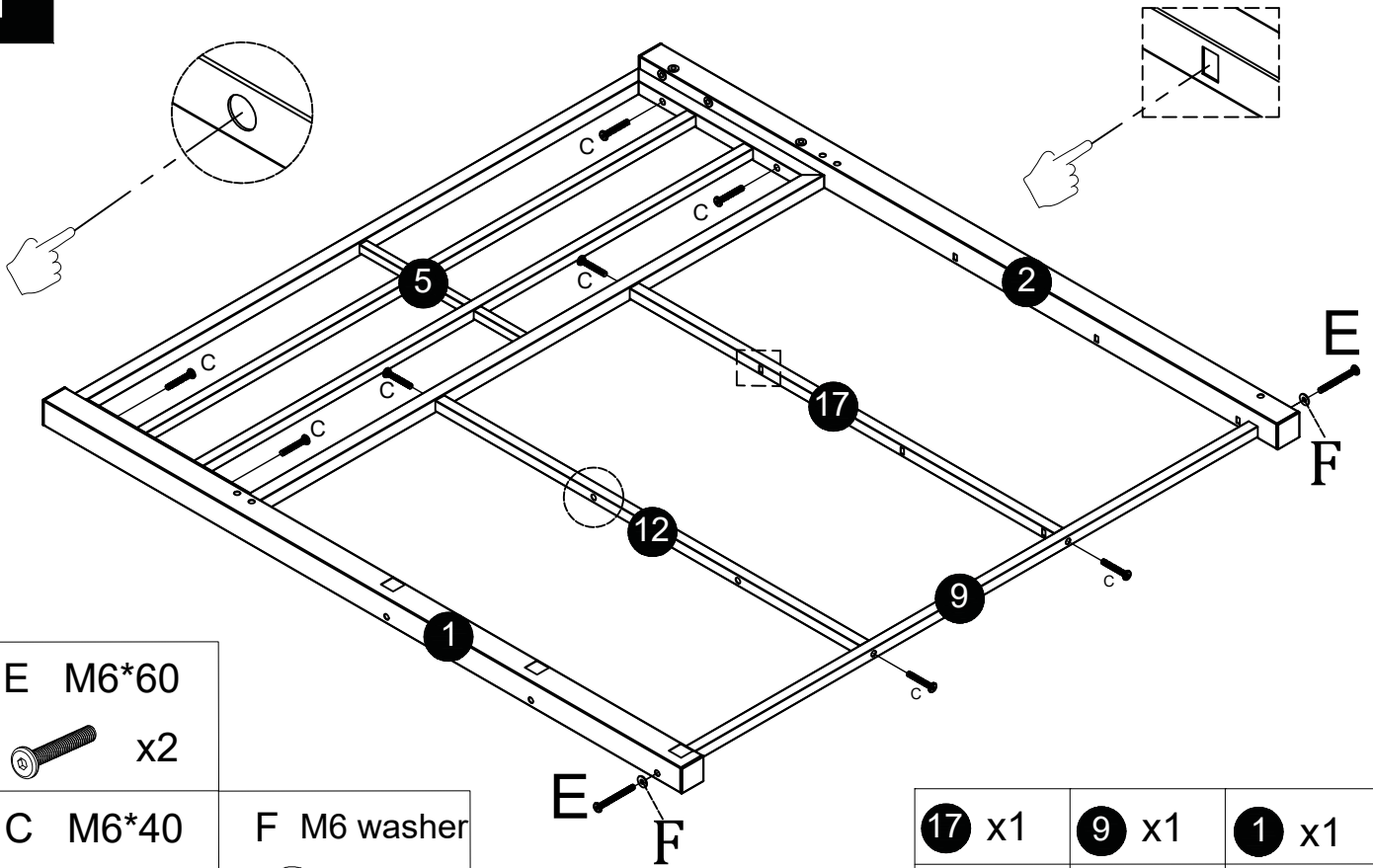


Before starting the assembly ,  
you must read the whole manual  
and follow the instructions .

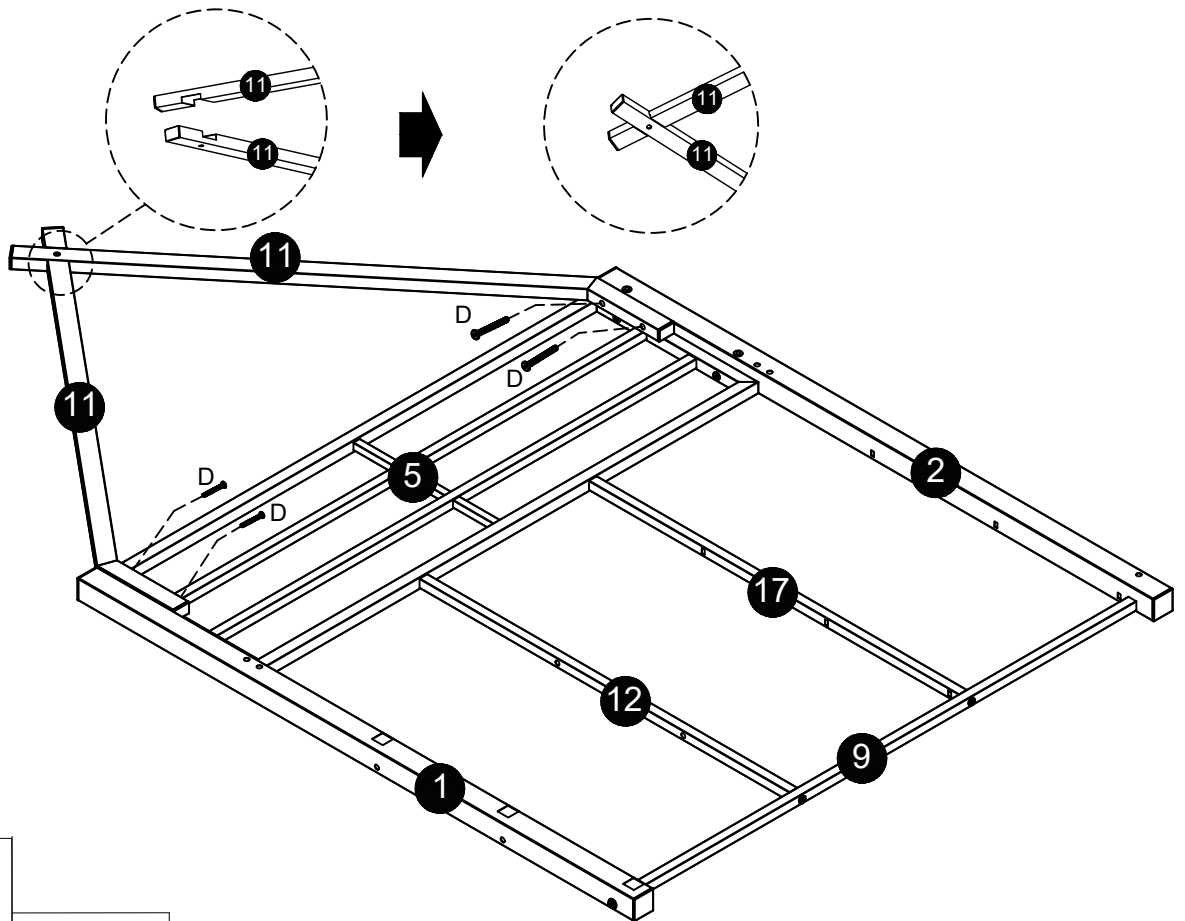
It needs at least  
two people to install



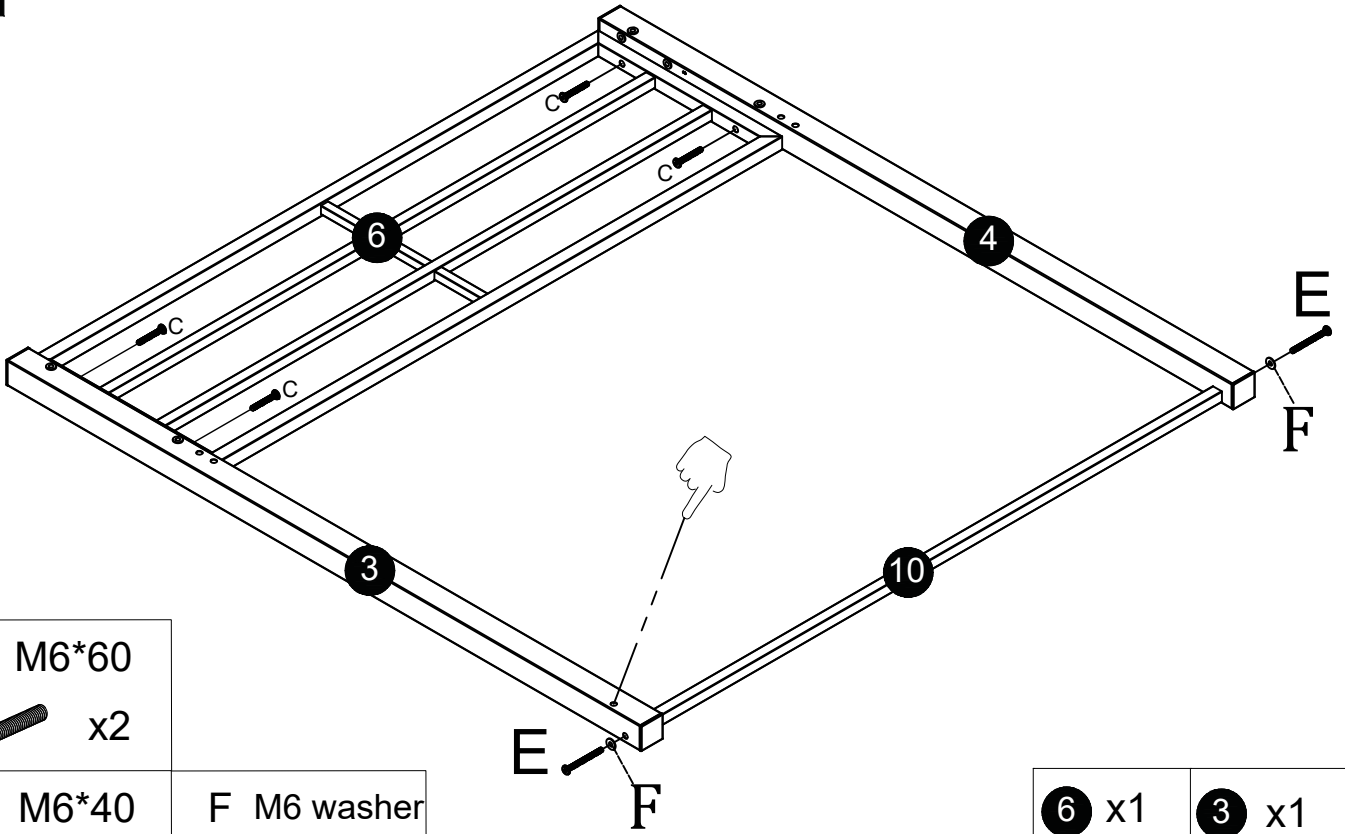
1



2



3



E M6\*60



x2

C M6\*40



x4

F M6 washer



x2

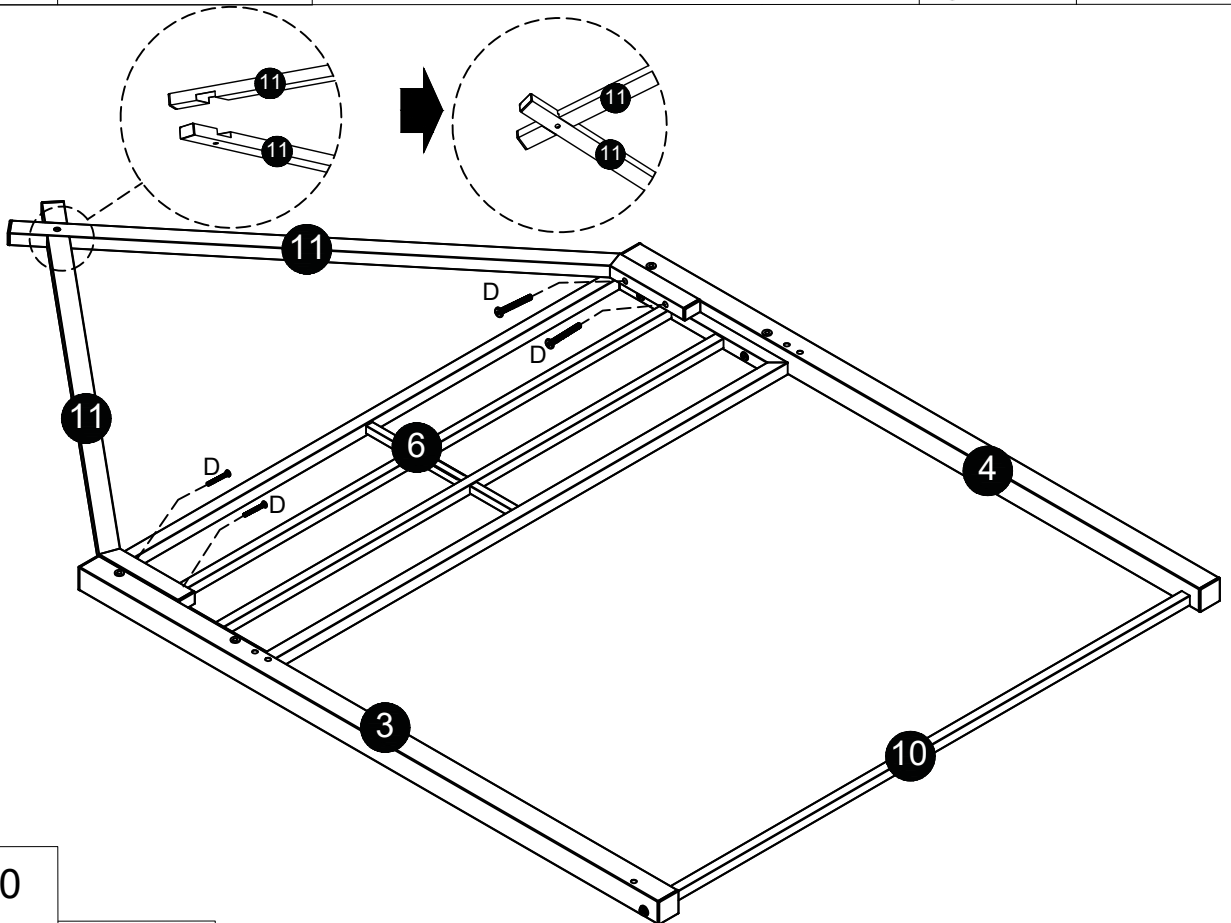
6 x1

3 x1

10 x1

4 x1

4



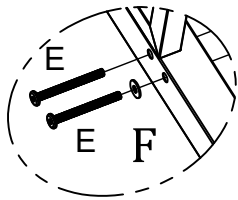
D M6\*50



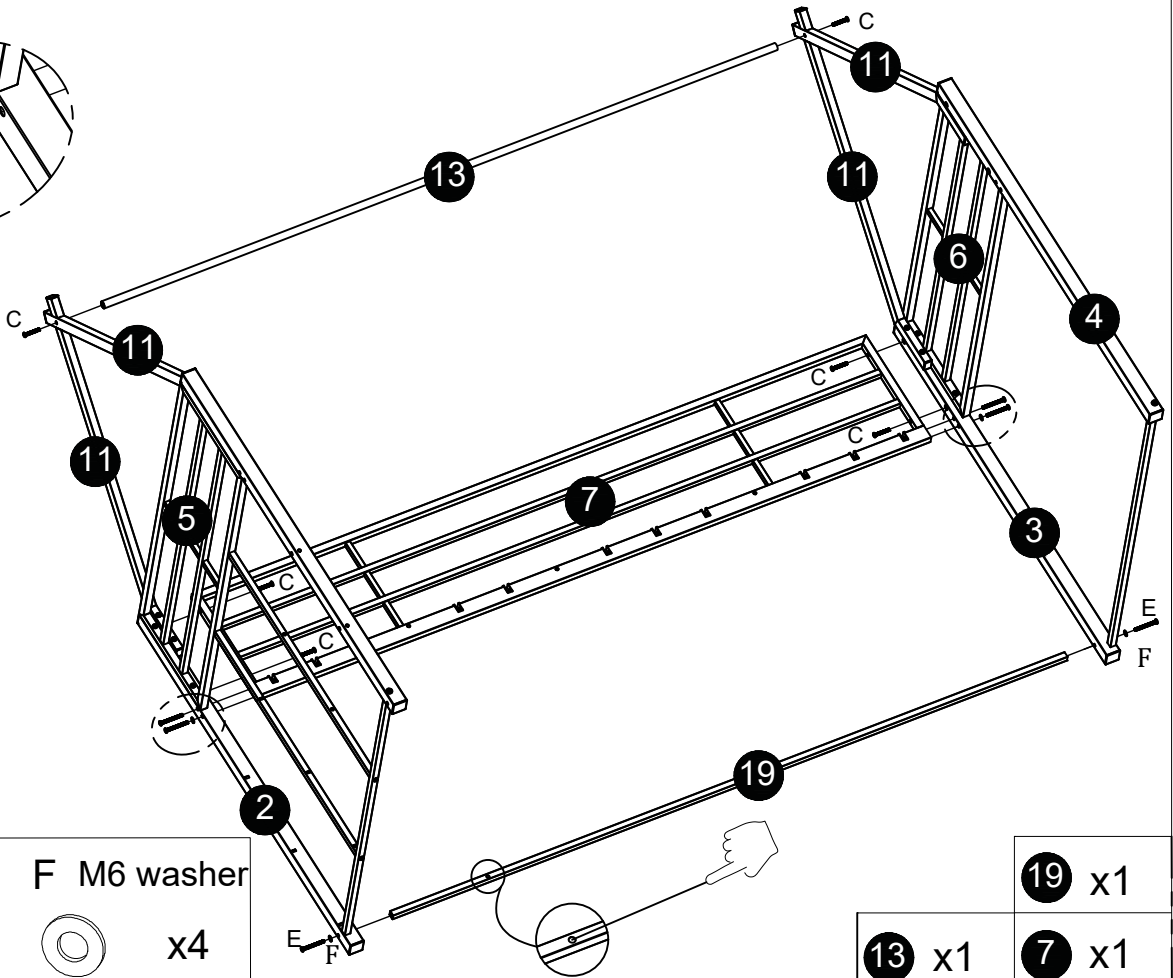
x4

11 x2

**5**



X2



E M6\*60



x6

C M6\*40



x6

F M6 washer



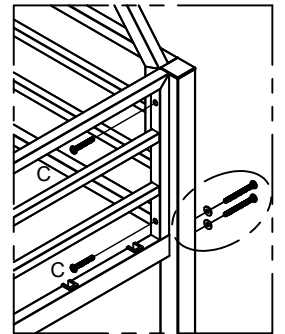
x4

19 x1

13 x1

7 x1

**6**



C M6\*40



x2

F M6 washer



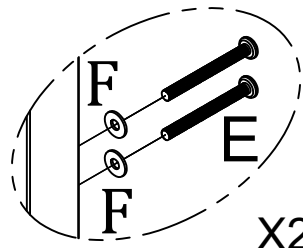
x4

E M6\*60



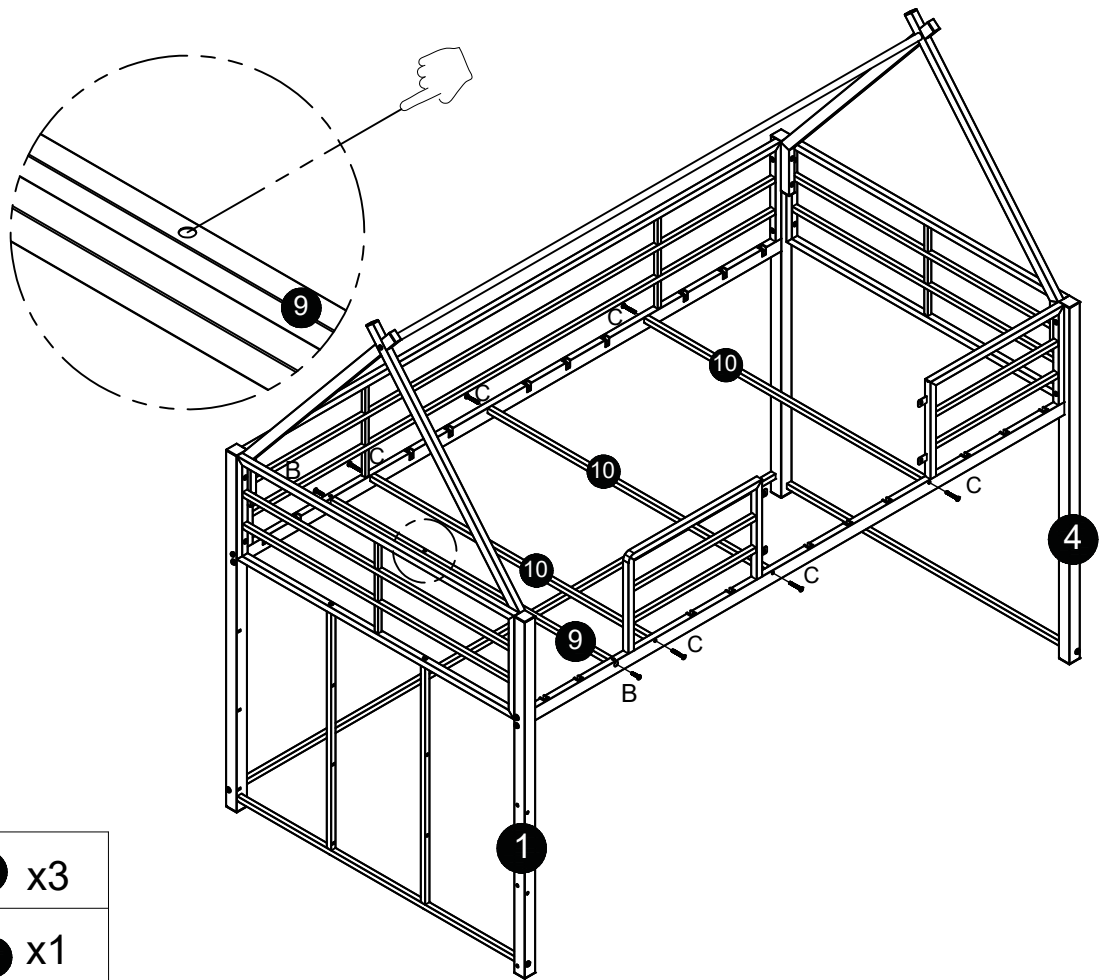
x4

8 x1



X2

7



B M6\*25



x2

C M6\*40

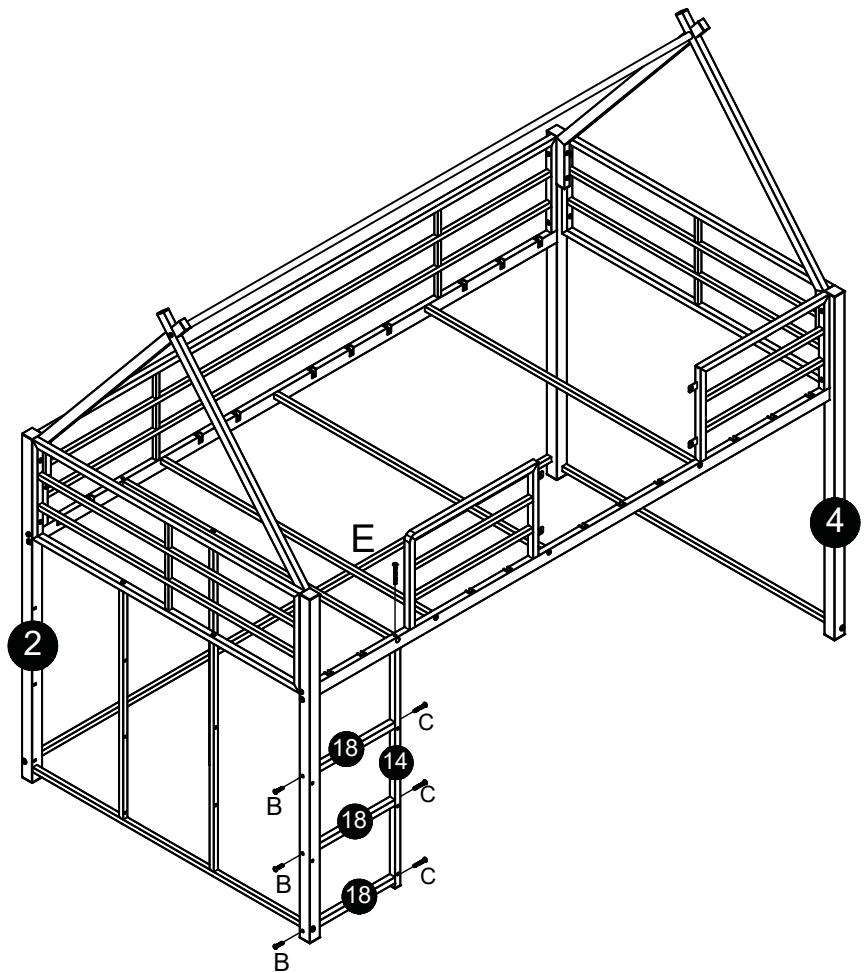


x6

10 x3

9 x1

8



E M6\*60



x1

B M6\*25



x3

C M6\*40

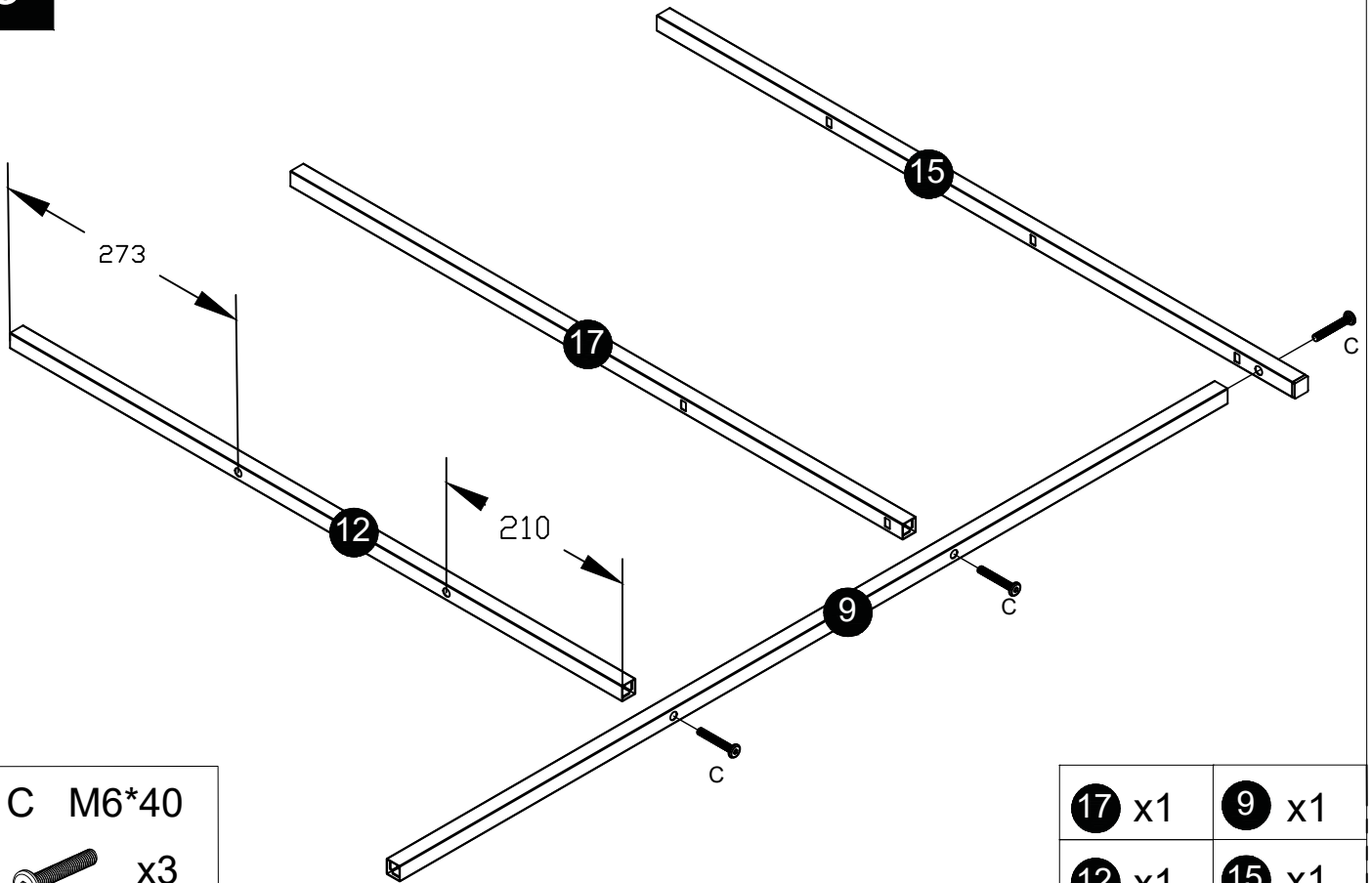


x3

18 x3

14 x1

9



C M6\*40

x3

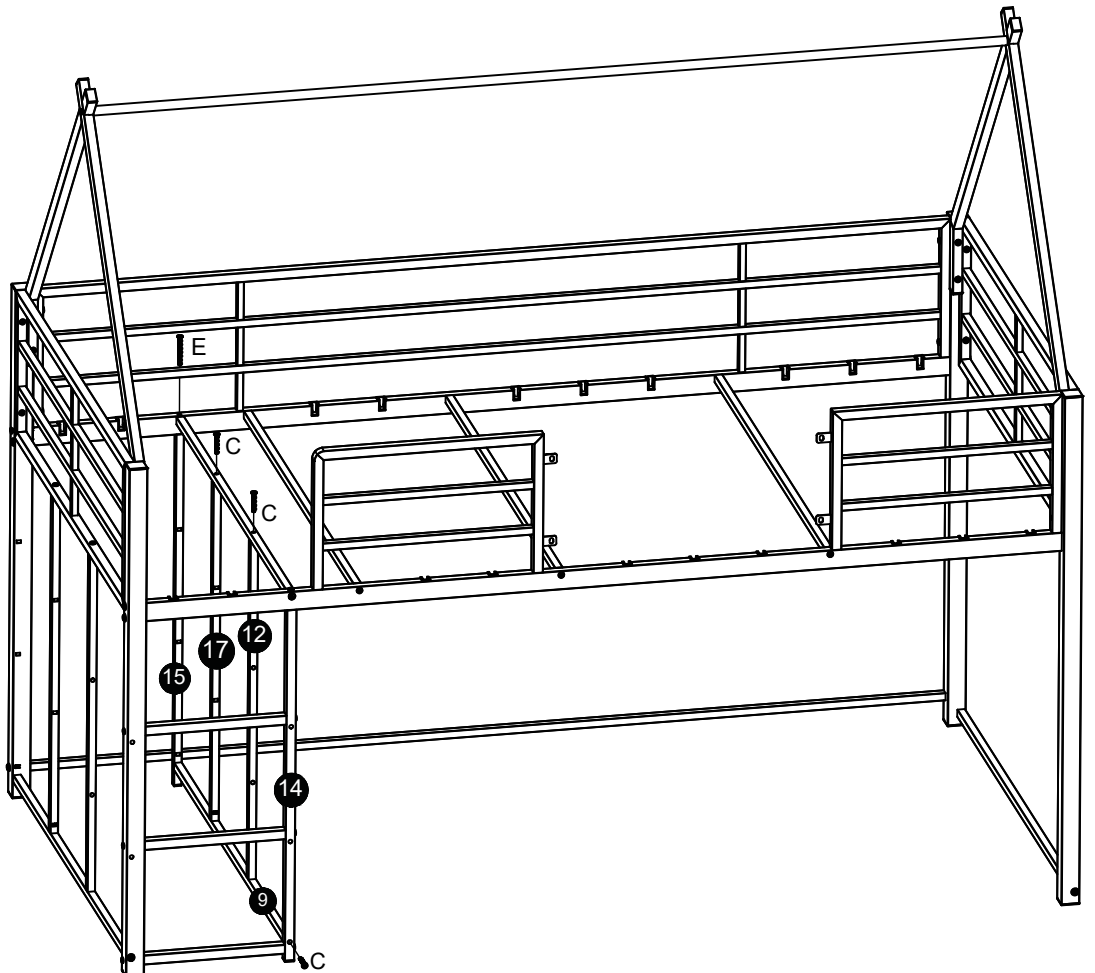
17 x1

9 x1

12 x1

15 x1

10



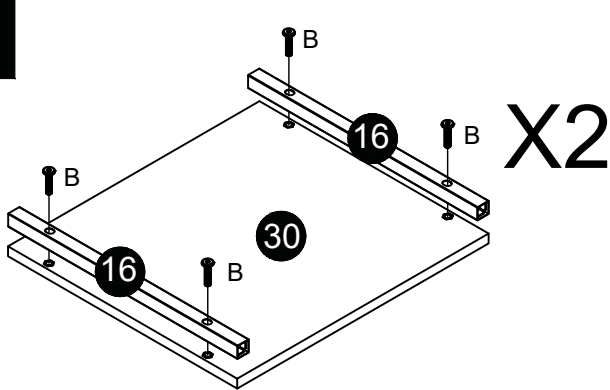
E M6\*60

x1

C M6\*40

x3

11



X2

16 x4

30 x2

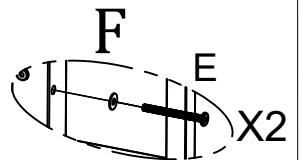
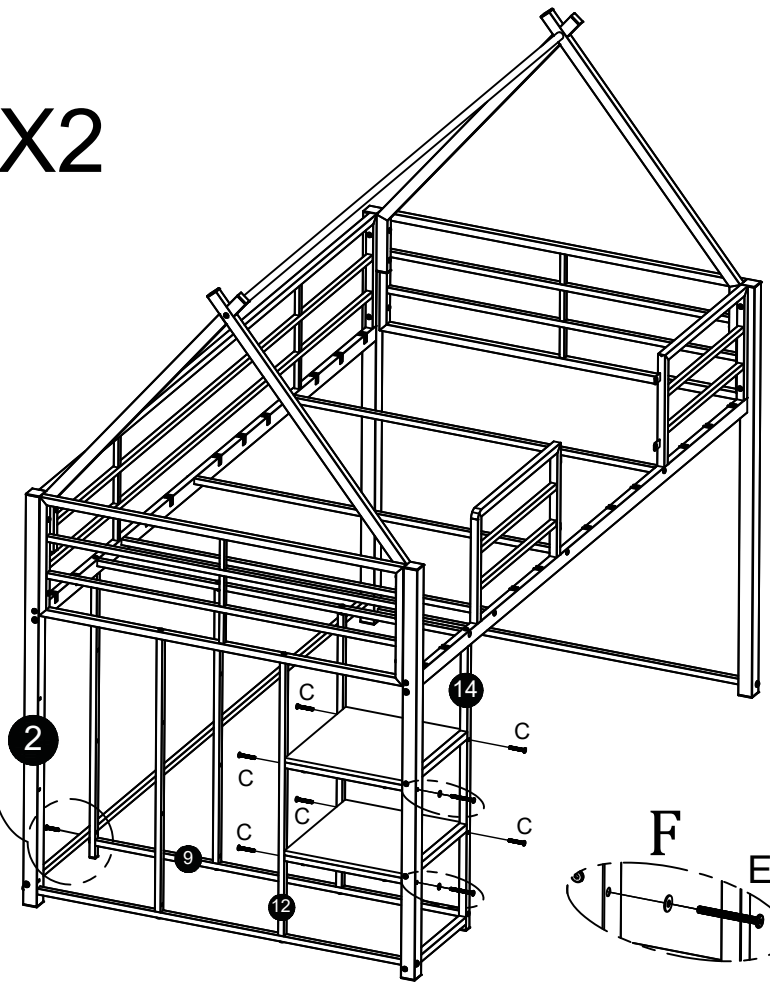
B M6\*25

F M6 washer

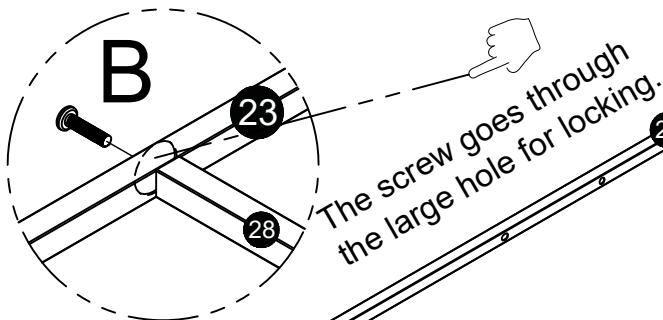


C M6\*40

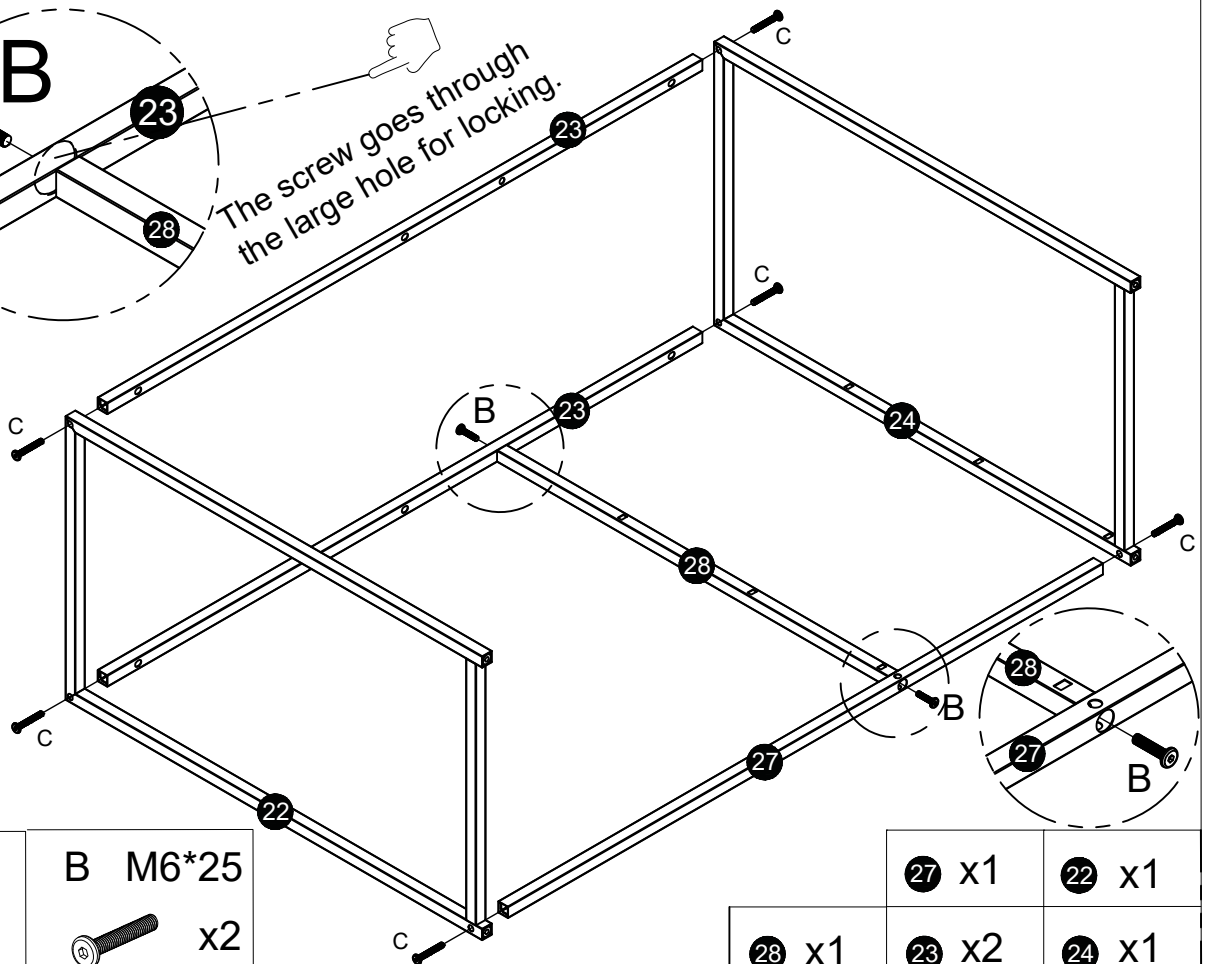
E M6\*60



12



The screw goes through the large hole for locking.



C M6\*40

B M6\*25



27 x1

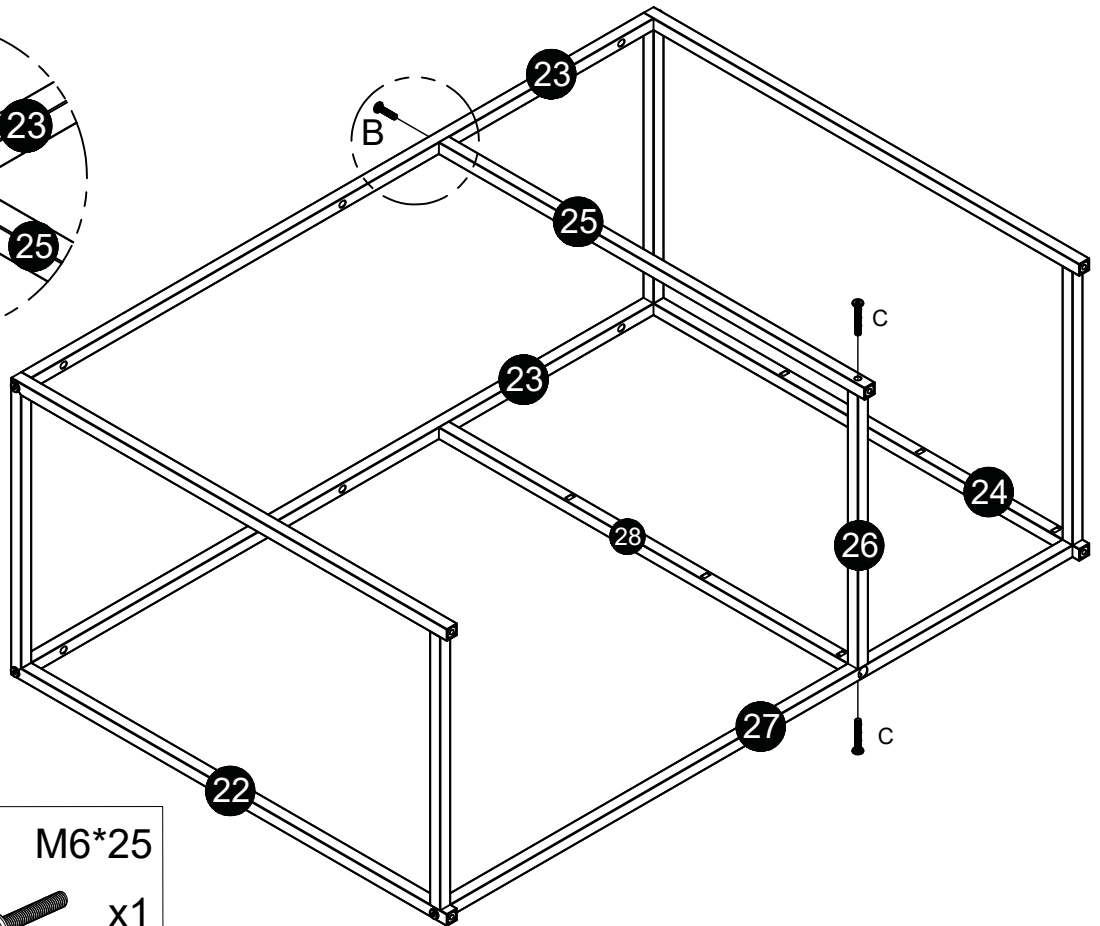
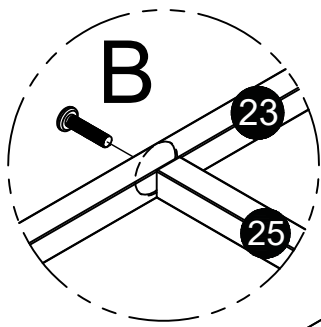
22 x1

28 x1

23 x2

24 x1

13



26 x1

25 x1

C M6\*40



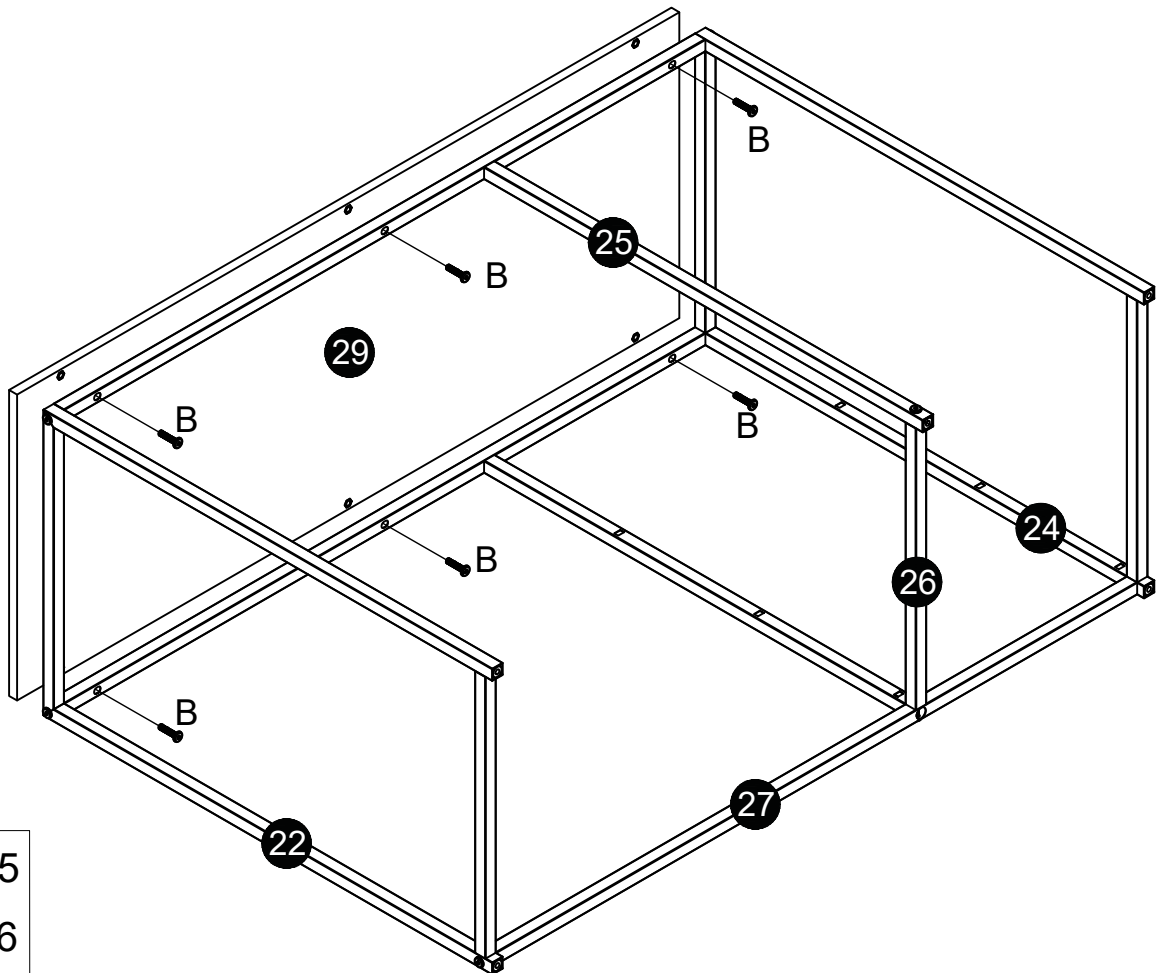
x2

B M6\*25



x1

14



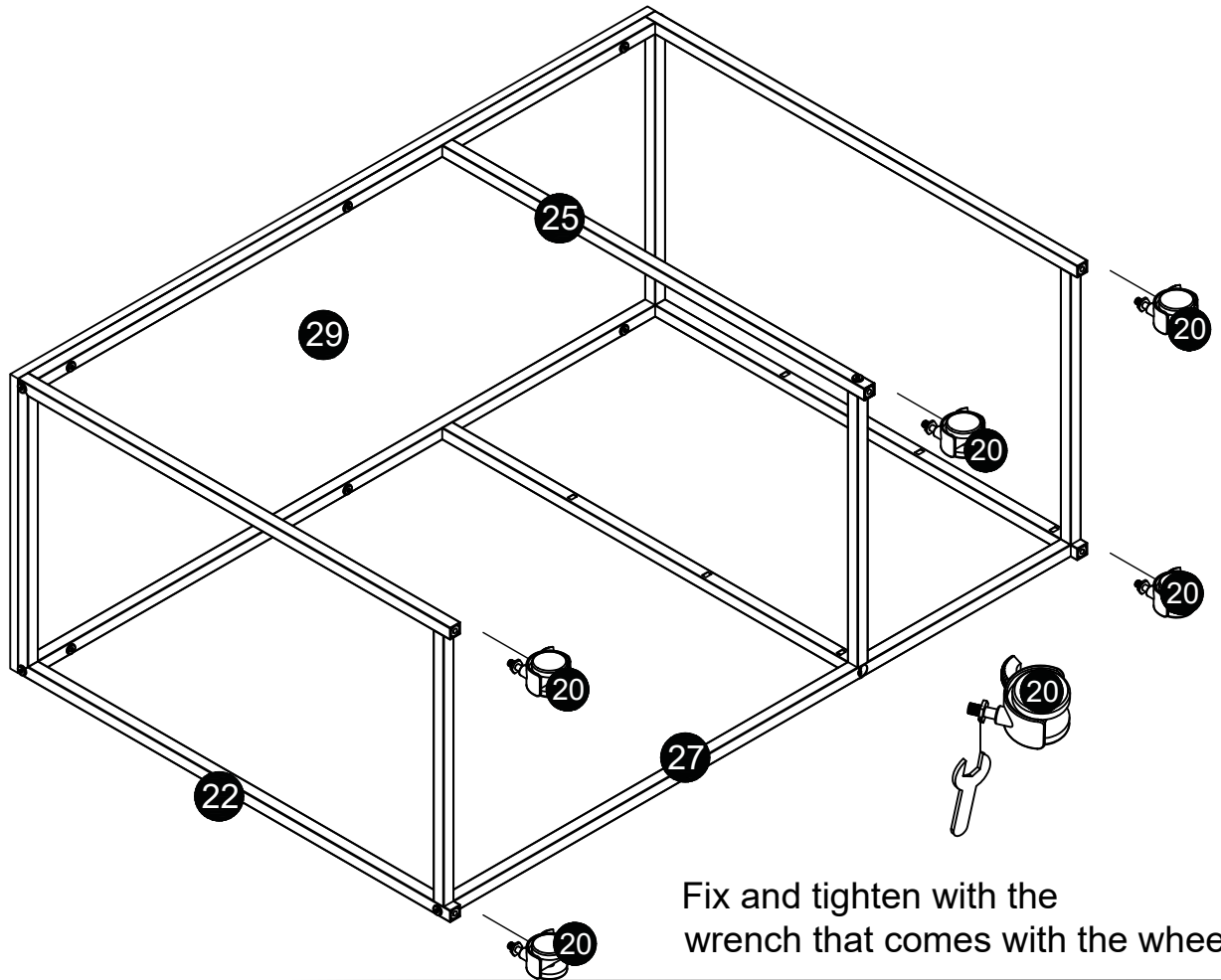
29 x1

B M6\*25



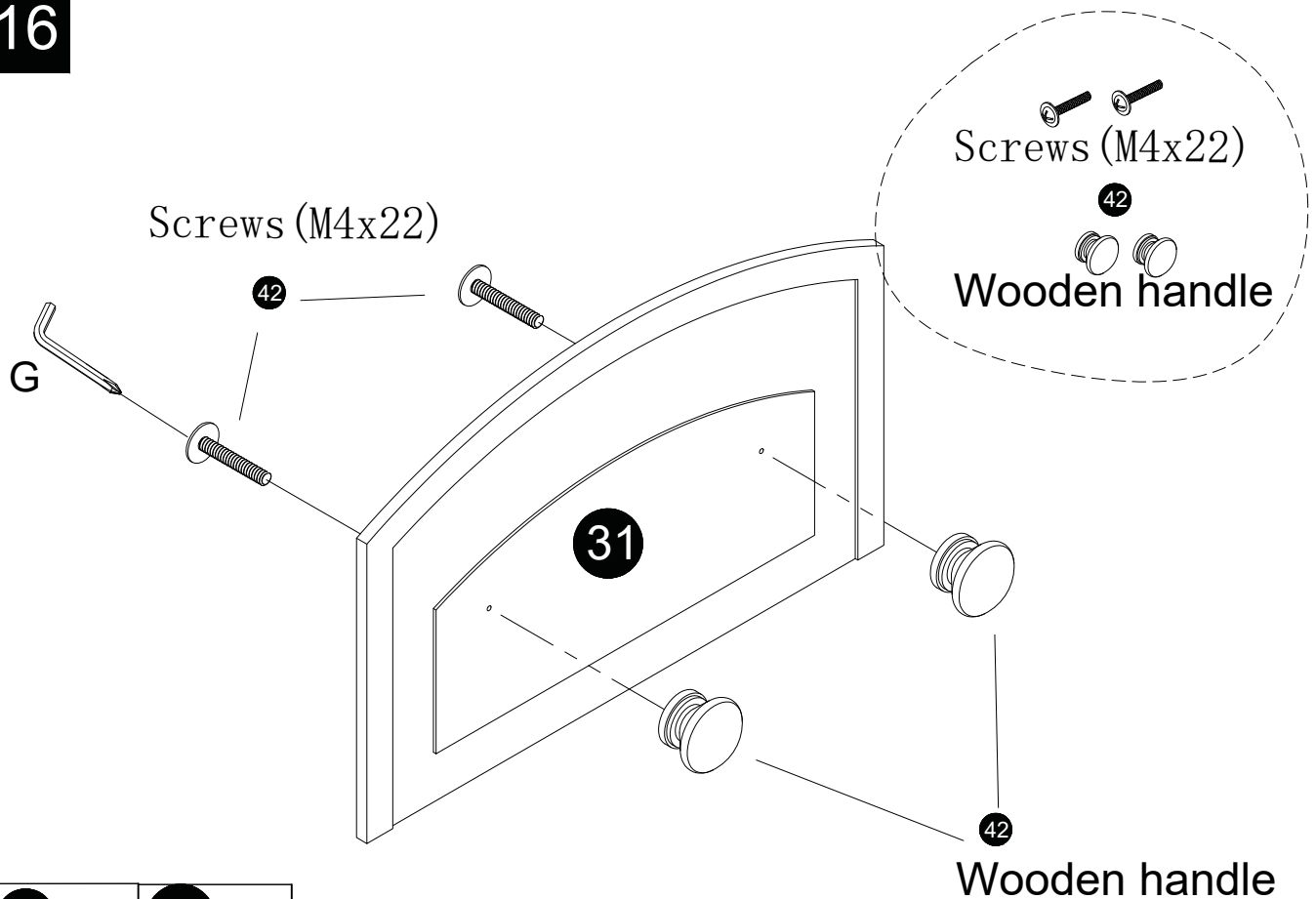
x6

15



20 x5

16

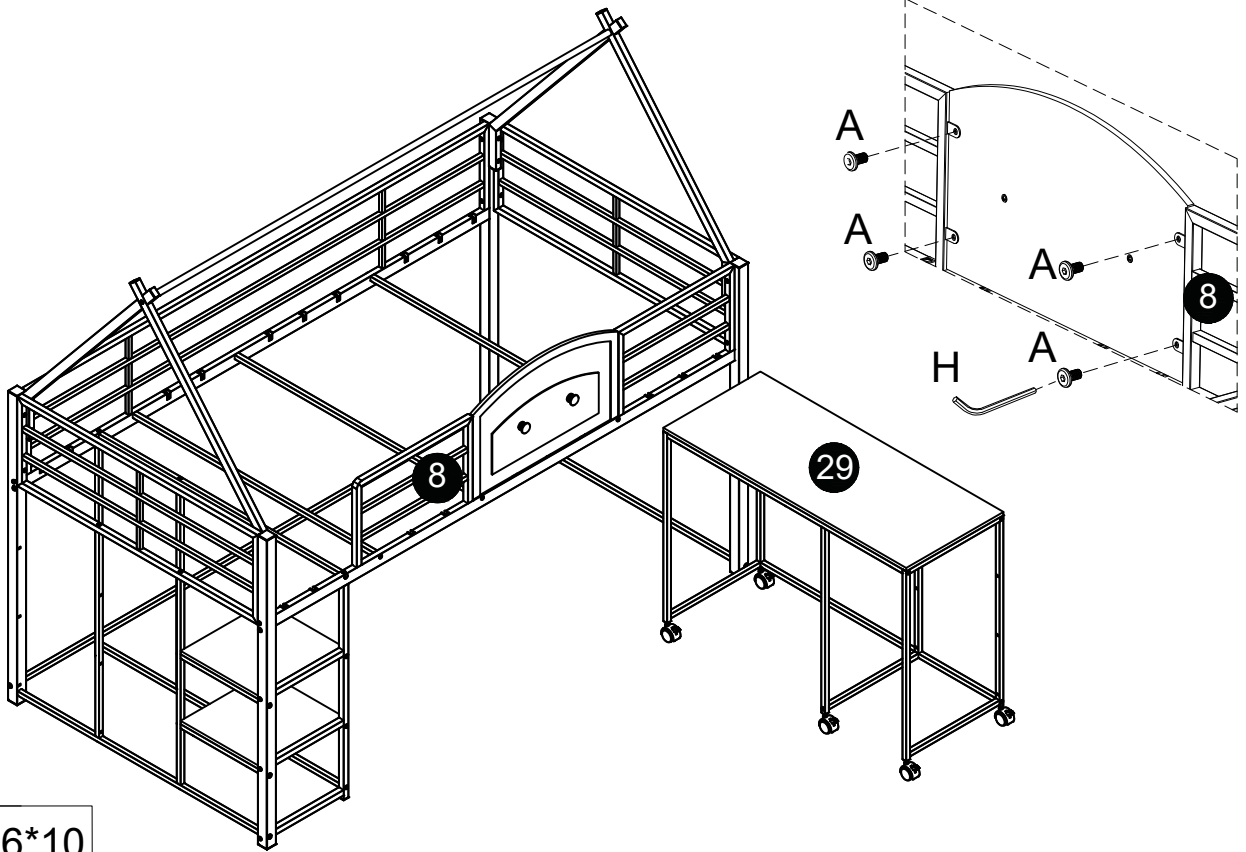


42 x1

31 x1

Wooden handle

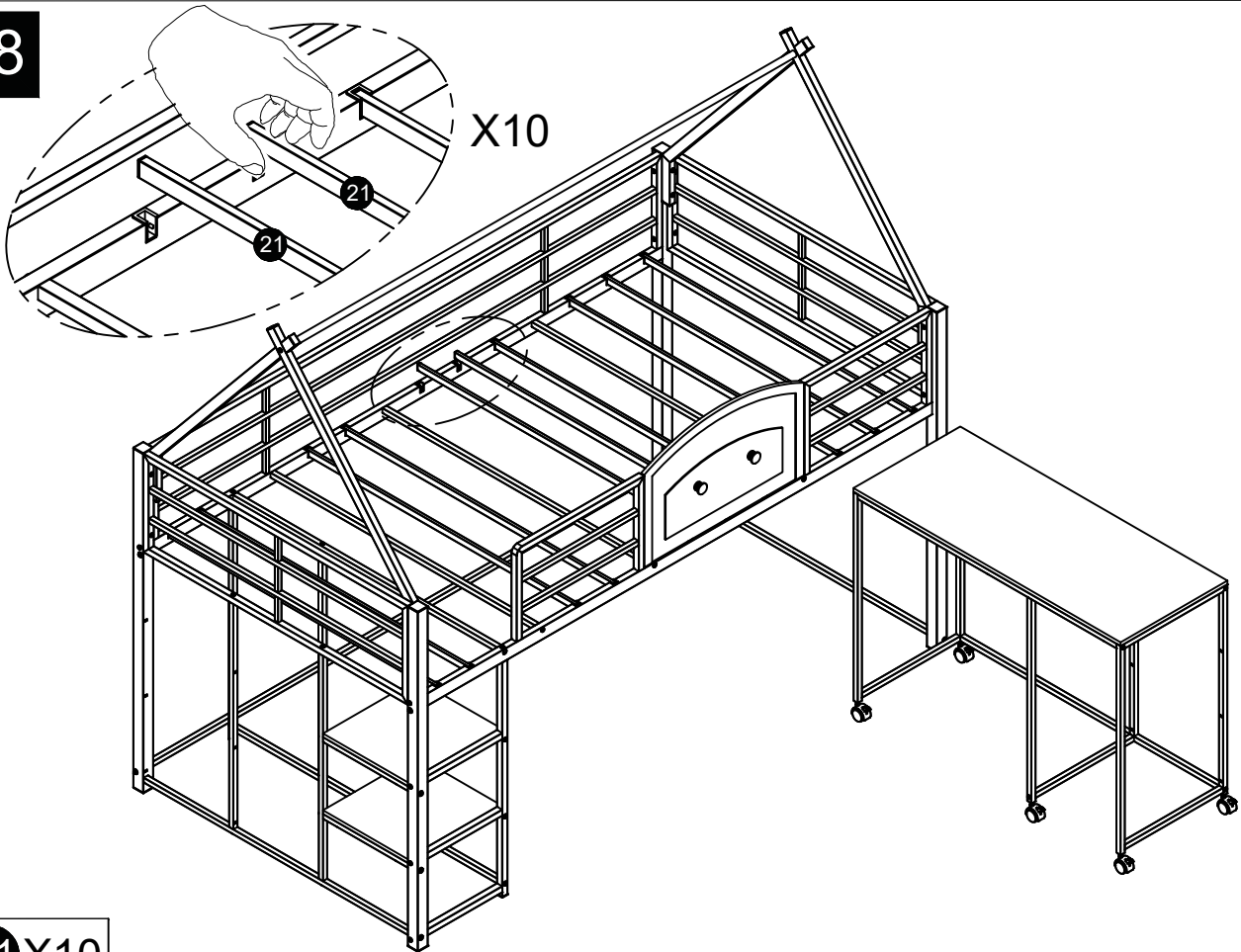
17



A M6\*10

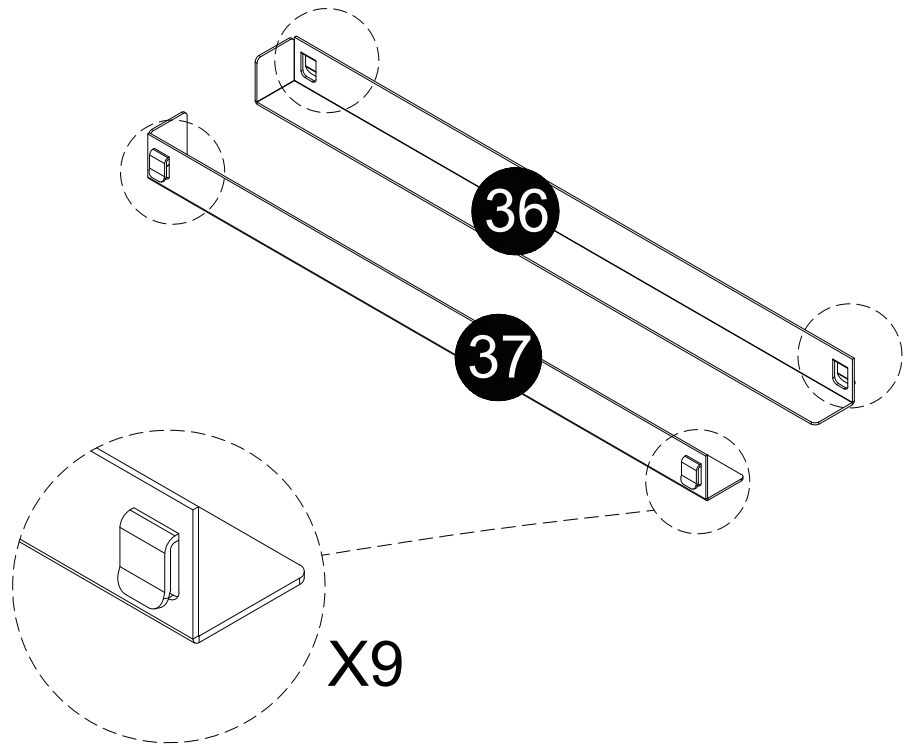
x4

18

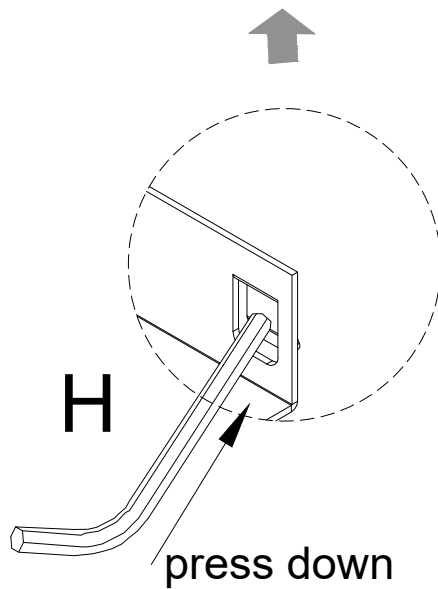


X10

21 X10

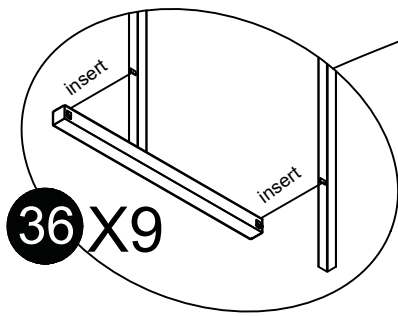
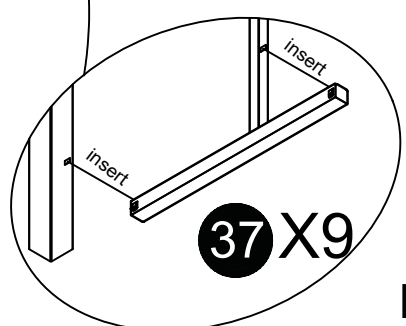
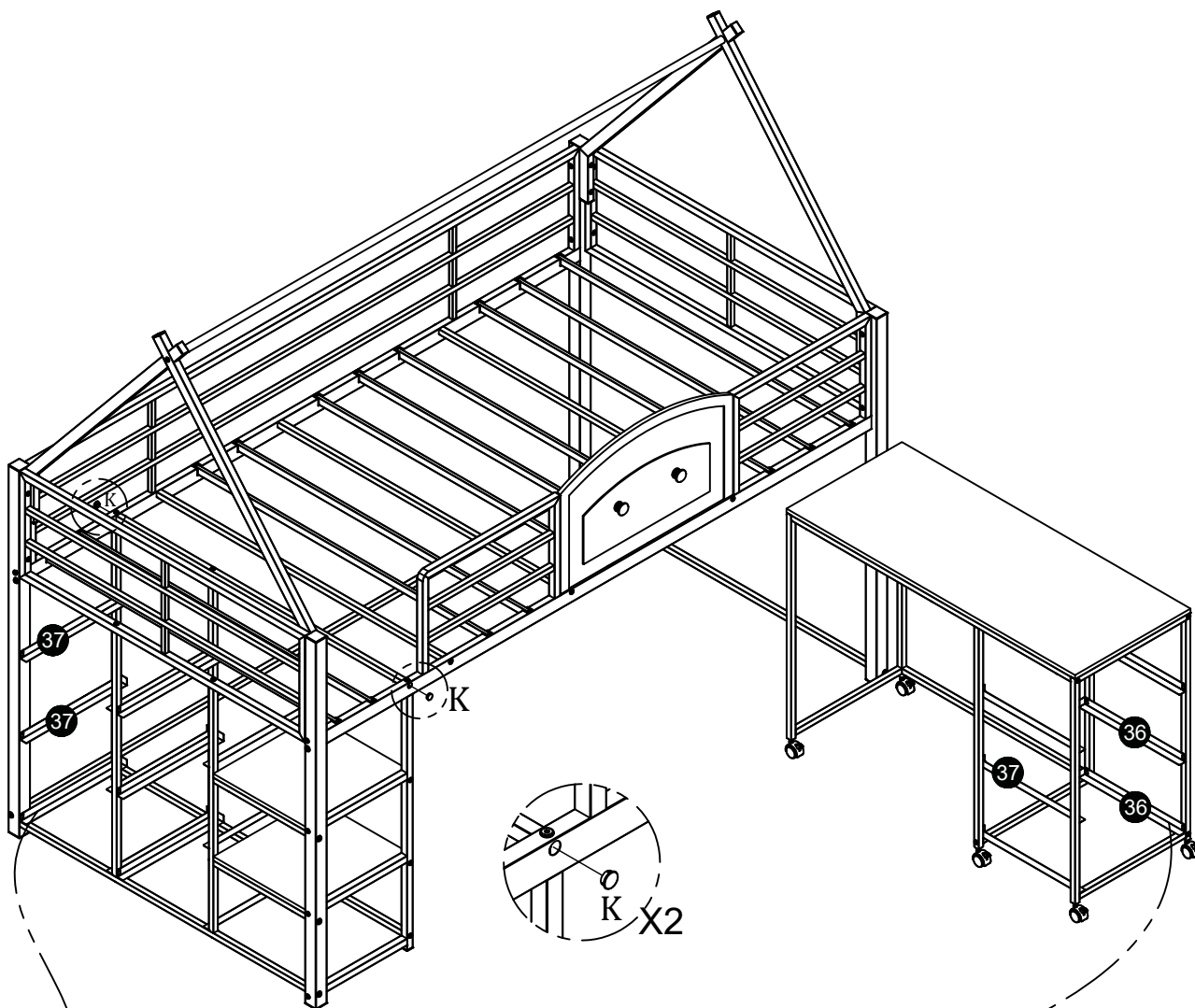


Check here before installation, if there is deformation due to squeezing, please adjust it with tools to avoid affecting normal installation.




Please fine-tune in this direction to make it easier to install.

Please pay attention to the left and right directions.

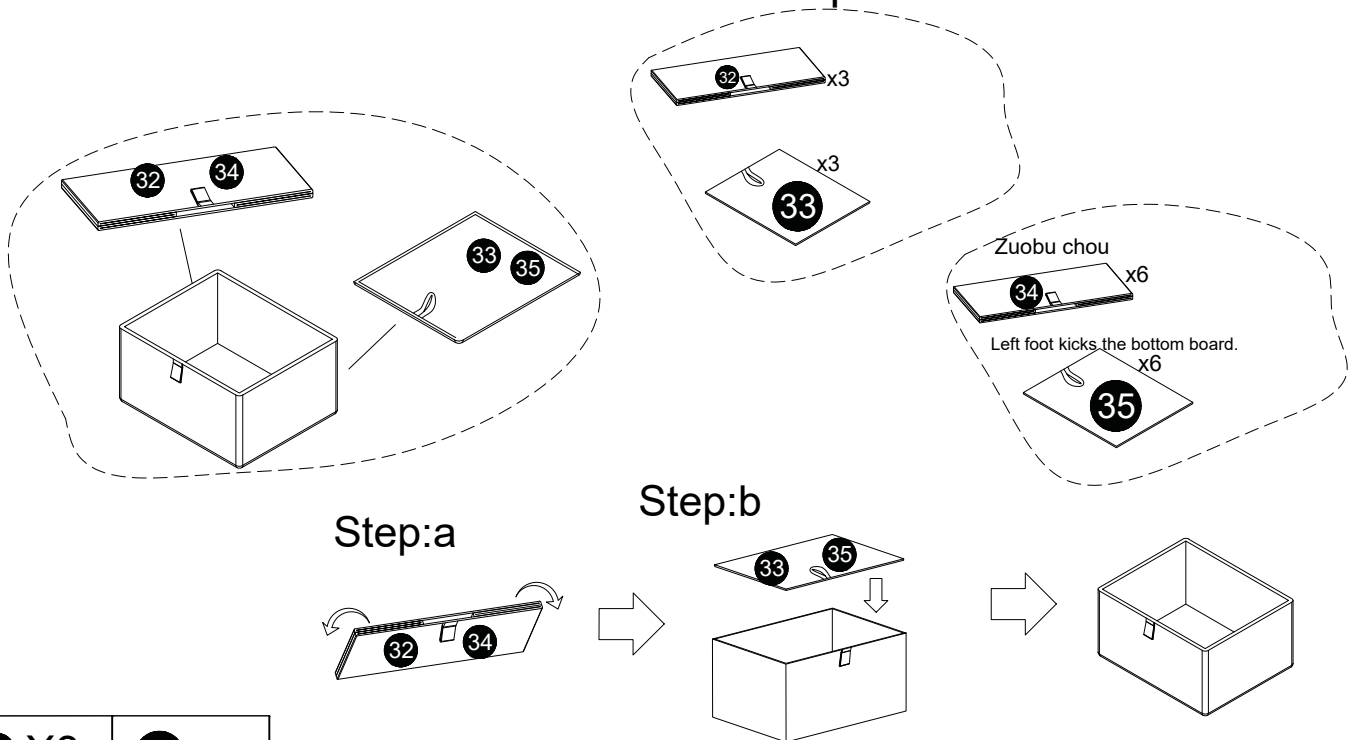


Insert the square hole  
in the direction of the  
Arrow and press down

K	Ø14		
	x2	<b>37 X9</b>	<b>36 X9</b>

**21**

In this step, the color of the cloth strip should match the color of the base plate.



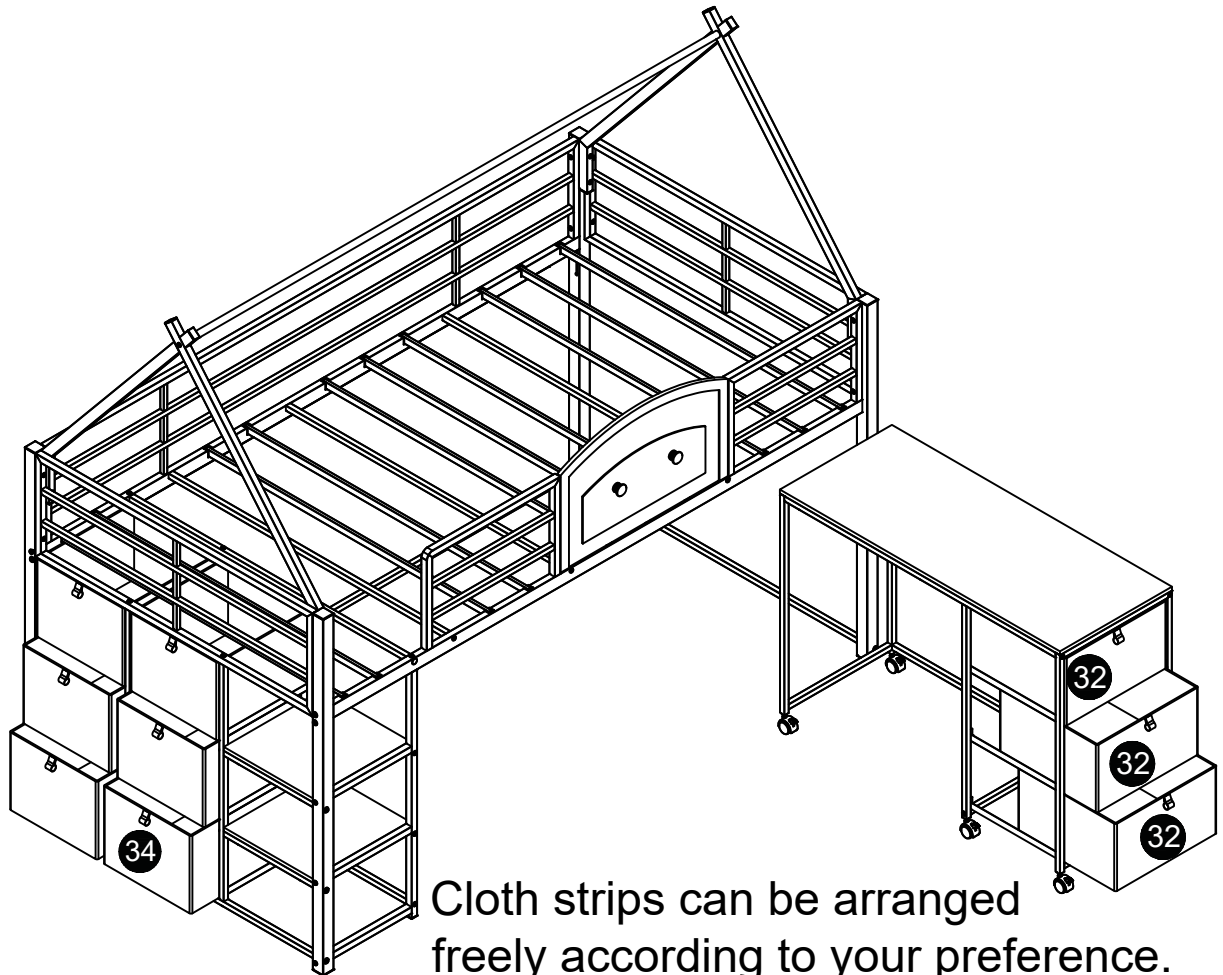
32 X3

33 X3

34 X6

35 X6

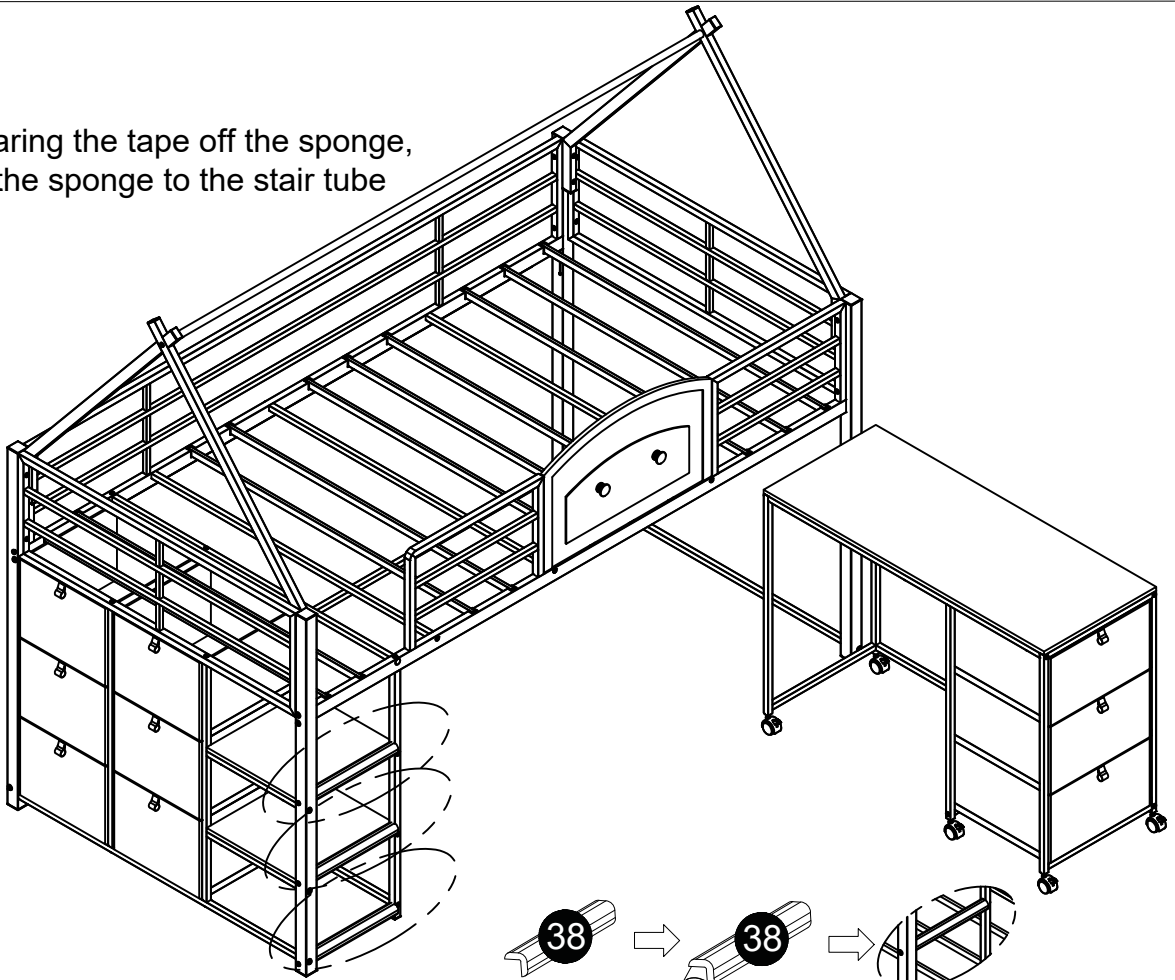
No. 32 and No. 33 are used together, while No. 34 and No. 35 are used together.

**22**

Cloth strips can be arranged freely according to your preference.

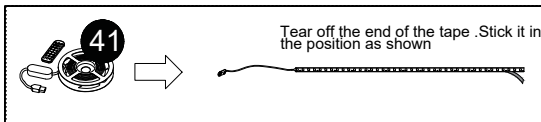
23

After tearing the tape off the sponge, attach the sponge to the stair tube

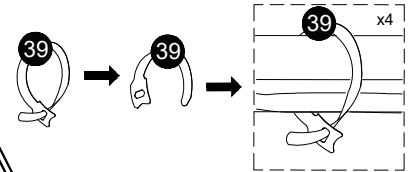


38 X3

24



Starting point of the light strip



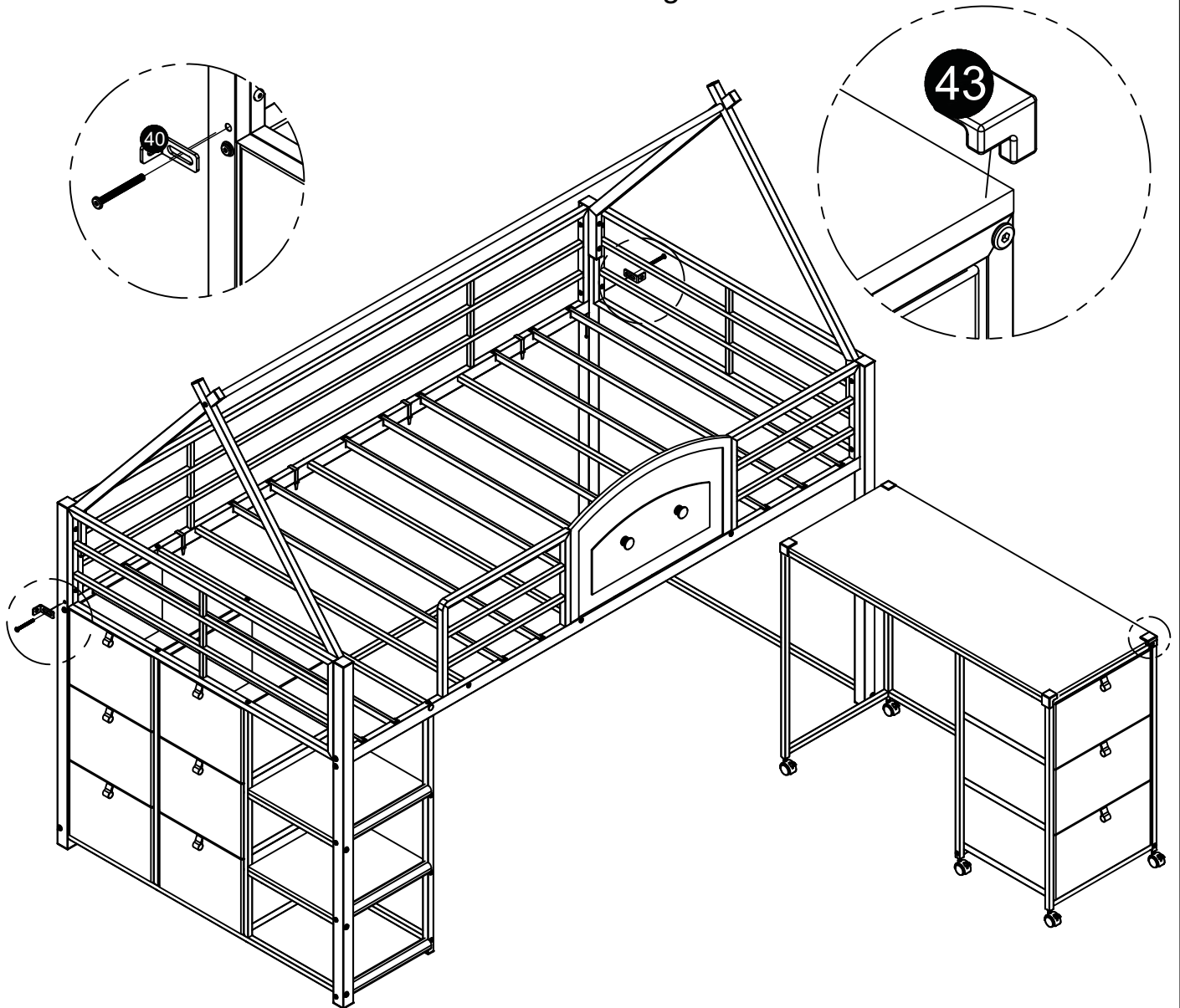
39 X4

41 X1

25

The metal plate against the wall is quite sharp and can easily cause injuries to the head

For safety reasons, transparent corner protectors are used to safeguard the edges of the shelf.

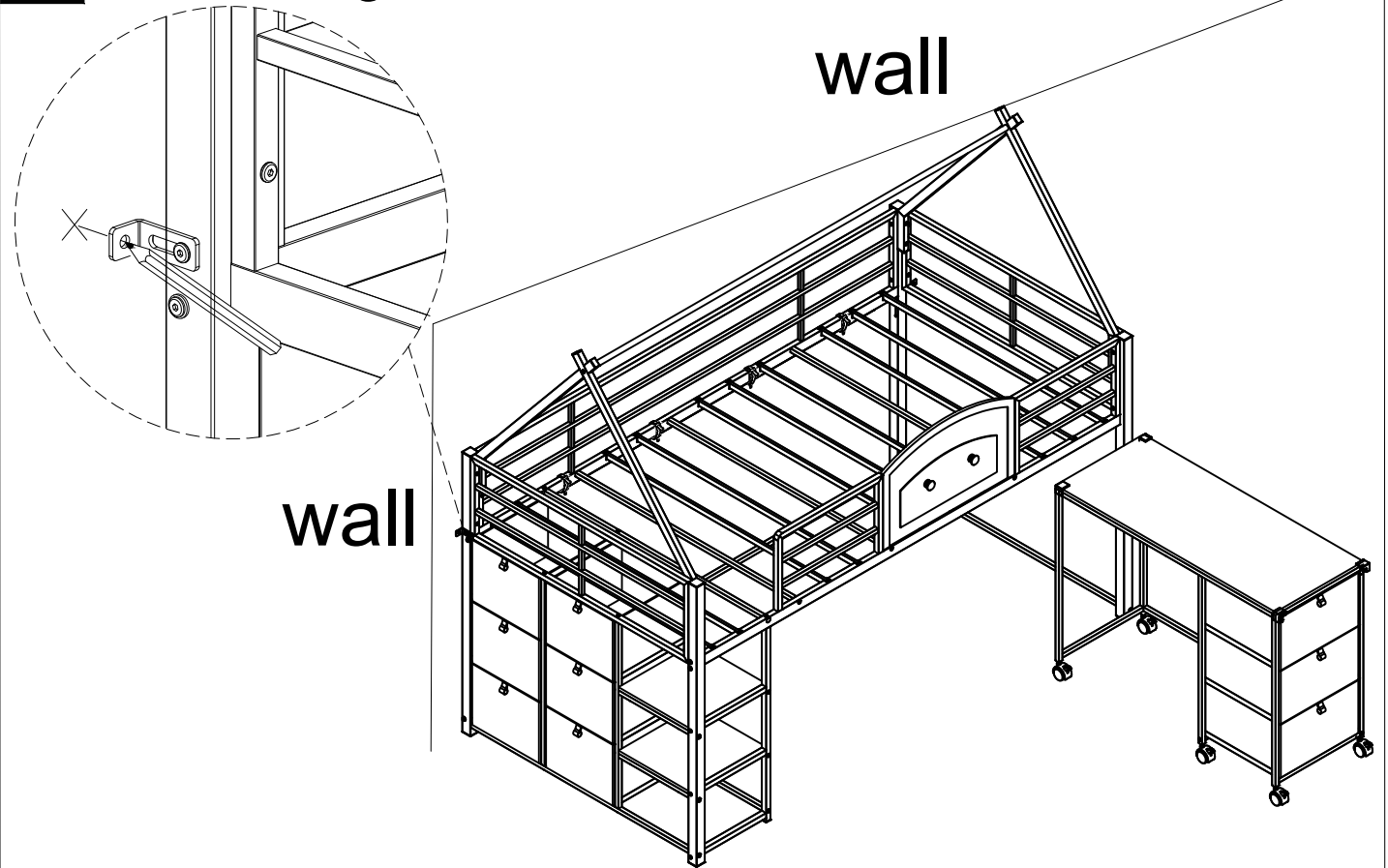


Friendly reminder:

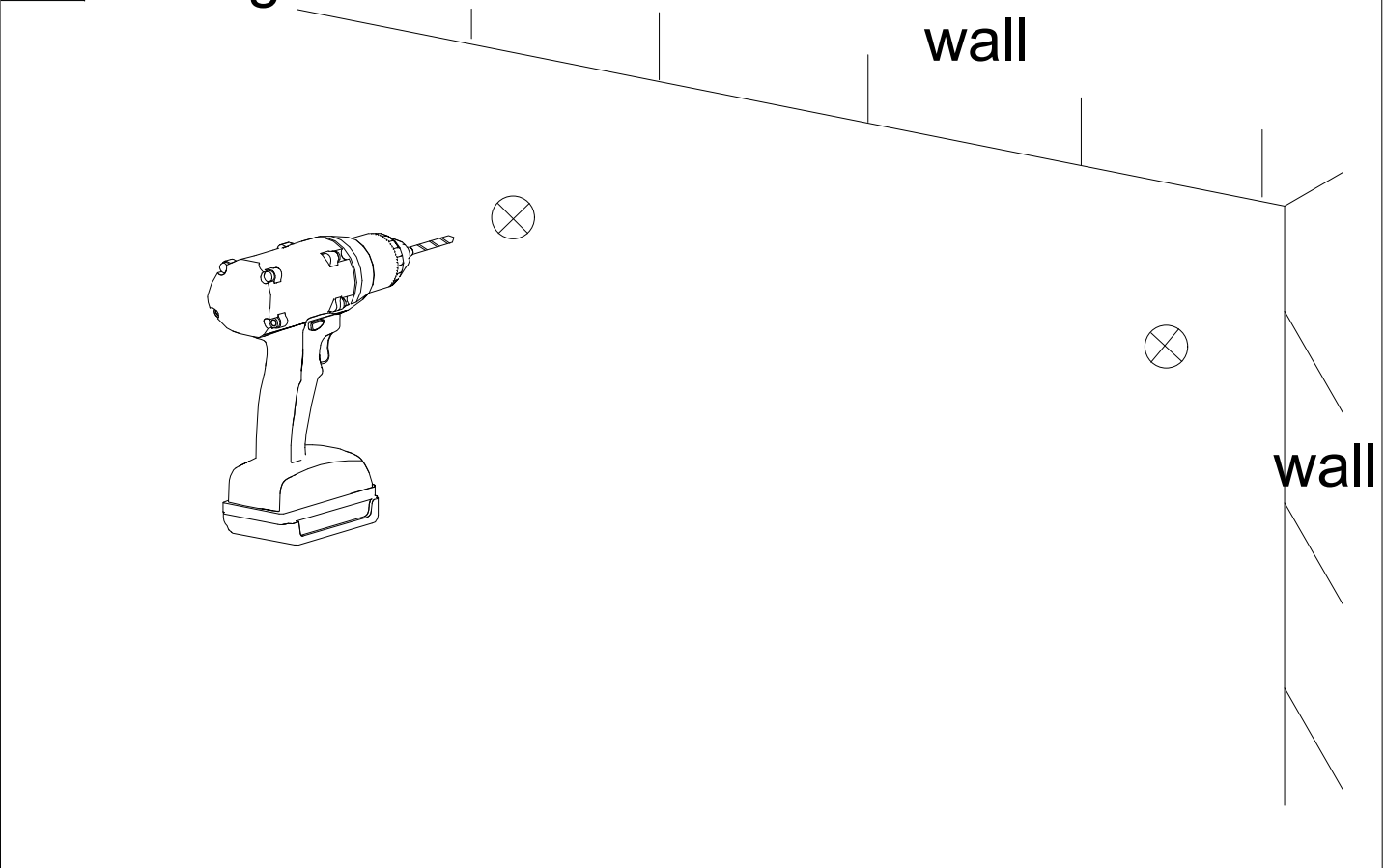
For safety reasons, when assembling the lock wall patch at this step, please use a wrench to remove the screws at the corresponding position of the column, and then install it according to the steps.

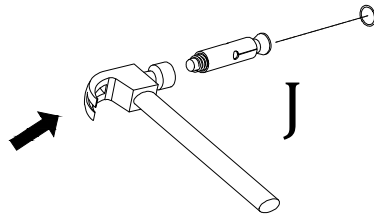
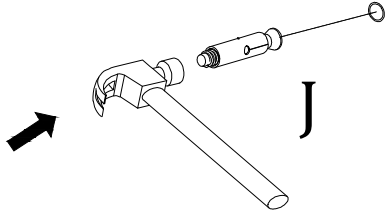
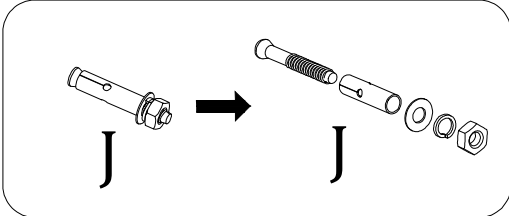
40 X2

## 26 Positioning



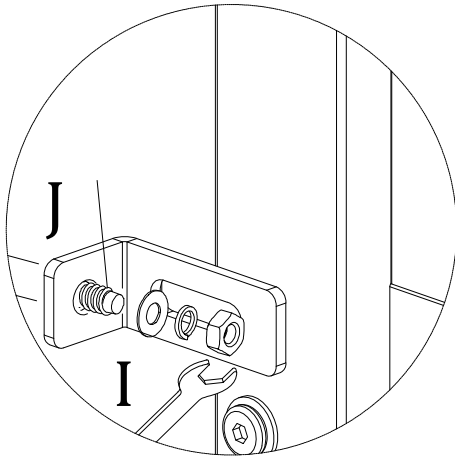
## 27 Drilling





wall

Please lock the expansion screw onto the wall.



X2 wall

wall

