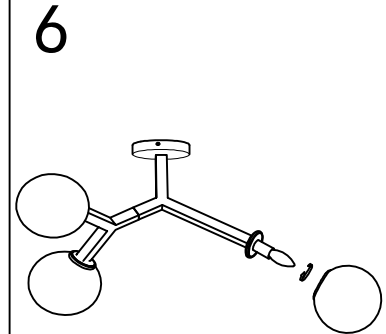
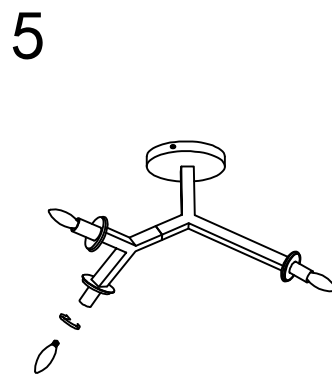
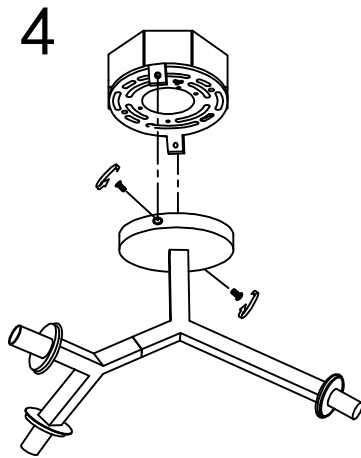
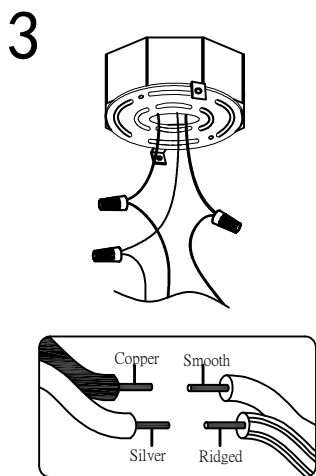
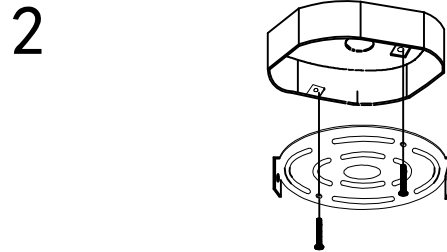
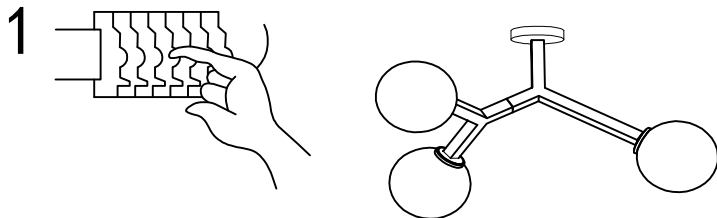


# Installation instructions

## NOTE:

- Make sure POWER is completely off at the fuse box
- Have you fixture installed by a qualified licensed electrician
- Prepare everything in a clear area
- Wear gloves at all time during this installation
- Read instructions carefully before you start assembly
- Keep this nsrallation sheet for future reference

- 1: Cut The power and take out the light;
- 2: Install the panel on the reserved box;
- 3: According to the mark (black wire is connected to "L", white wire is connected to "N", and ground wire is connected to "GND");
- 4: Cover the ceiling plate on the hanging plate and tighten it with the hanging plate cap;
- 5: Install the bulb;
- 6: Rotating and fixing the glass to the lamp body;



**MODEL:8032CL-03BK-US**