

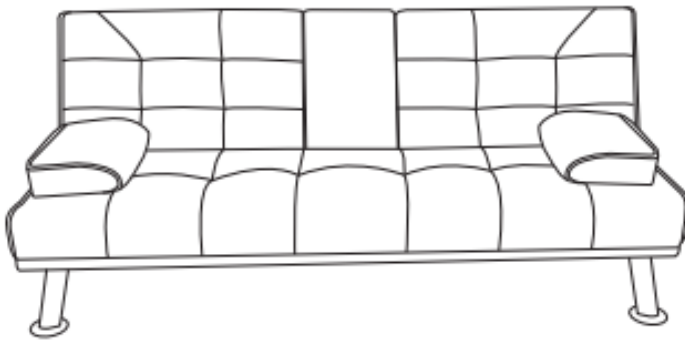
# Installation & Assembly

## SOFA BED





Thank you for purchasing our **SOFA BED**

Before you start, here are some helpful advice:

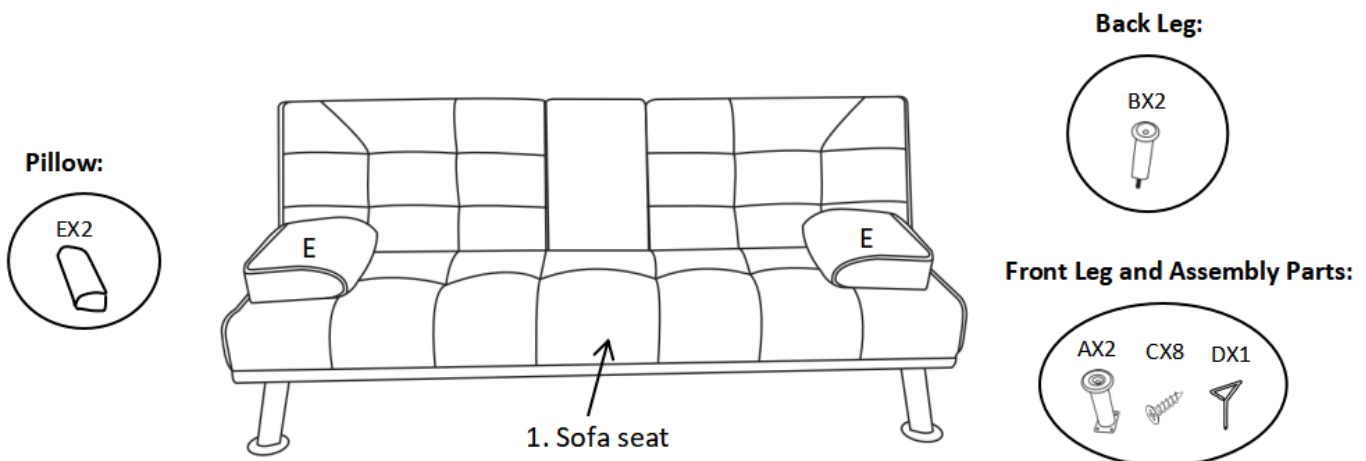
1. We suggest you spend a short time reading through this leaflet and then follow the simple step-by-step instructions.
2. Owing to the size and weight of the sofa, we recommend that it is assembled by two adults, on a carpeted or padded area, in the room that it is intended for. Approximate assembly time: 10 minutes.
3. Please do not use any tools other than those provided or recommended in these instructions.
4. Please do not throw away any of the packaging or the instruction until you have checked all the components and hardware and the furniture is fully assembled. Please ensure that the packaging is disposed of in a safe and environmentally friendly way.
5. Assemble all components loosely until advised to tighten. Depending on use, it may be necessary to tighten the components from time to time, so please save the tools that have been provided.
6. Please keep all pieces out of reach of children.
7. If you have any questions about the product: please send an email to our dedicated customer service email, and we will reply to your questions within 12 hours.



### Legs and Hardware:

- |    |   |                  |     |
|----|---|------------------|-----|
| A. |    | Front Leg H200mm | x 2 |
| B. |  | Back Leg H200mm  | x 2 |
| C. |   | Screw 8*30MM     | x 8 |
| D. |   | Cross Wrench     | x 1 |

### Components:

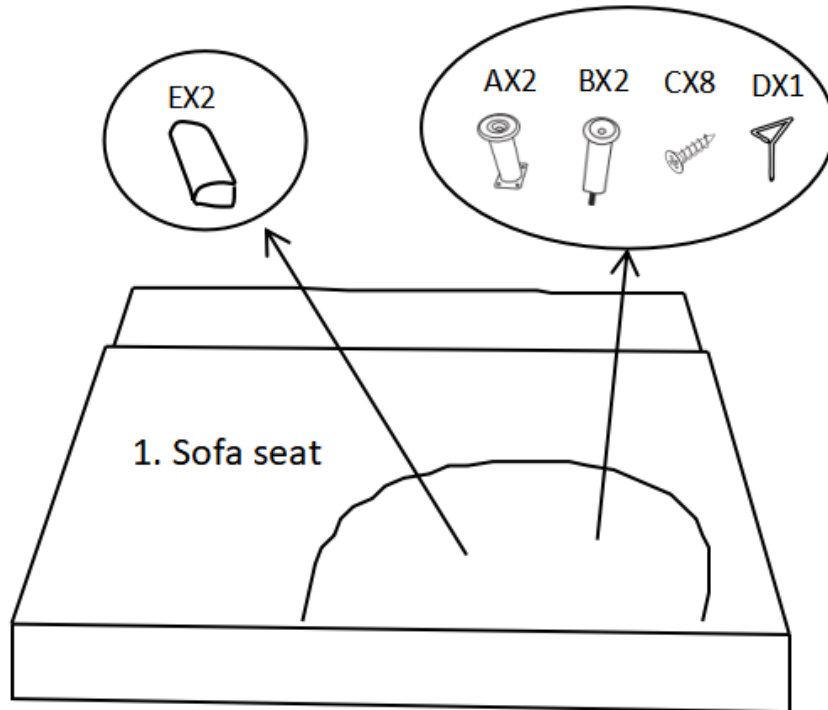


- |              |    |              |    |             |    |          |    |                 |    |
|--------------|----|--------------|----|-------------|----|----------|----|-----------------|----|
| 1. Sofa seat | x1 | A. Front Leg | x2 | B. Back Leg | x2 | C. Screw | x8 | D. Cross wrench | x1 |
| E. Pillow    | x2 |              |    |             |    |          |    |                 |    |

## SOFA BED

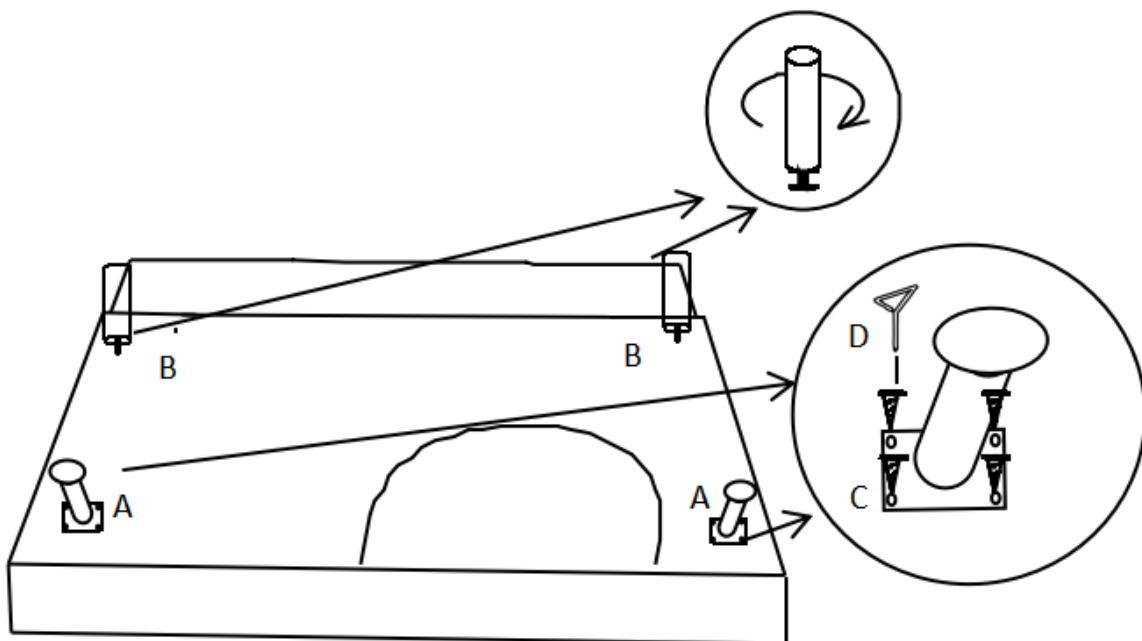
### STEP 1:

1. Please put **Sofa Seat (1)** upside down on a carpeted or padded surface.
2. Open the zipper on the bottom of the **Sofa Seat (1)** and take out 2 pieces of **Front Legs (A)**, 2 pieces of **Back Legs (B)**, hardware bag including 8 pieces of **Screw (C)** and 1 piece of **Cross Wrench (D)** and 2 pieces of **Pillows (E)**.



### STEP 2:

1. Tighten 2 pieces of **Back Legs (B)** to the back bottom of the **Sofa Seat (1)** clockwise as shown by hand.
2. Attach 2 pieces of **Front Legs (A)** to the **Sofa Seat (1)** by using 8 pieces of **Screw (C)** as shown with Figure and Use **Cross Wrench (D)** to tighten all **Screws (C)**.

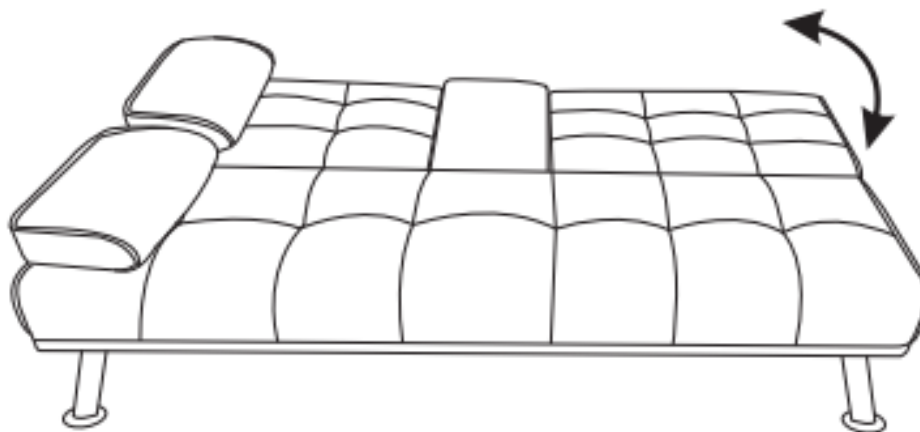
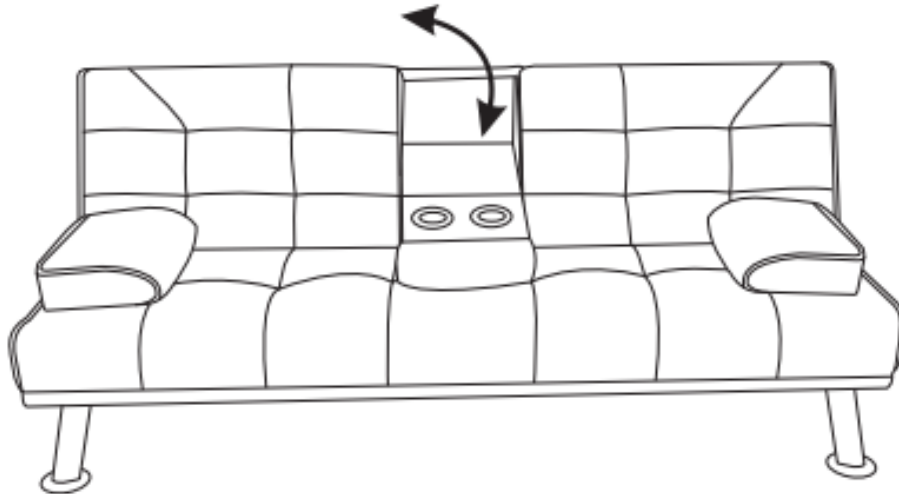


## SOFA BED

---

### STEP 3:

1. Please carefully turn over **Sofa Seat (1)**.
2. Put the **Pillows (E)** on the sofa.
3. Gently put down the coffee table in the middle, you can put your drinks into them.
4. Gently push the sofa back towards forward, then you will hear the “click clack” sound, it will become a sofa bed.



---

Thank you for the assembly. The assembly is complete. Your sofa is ready to enjoy now.

