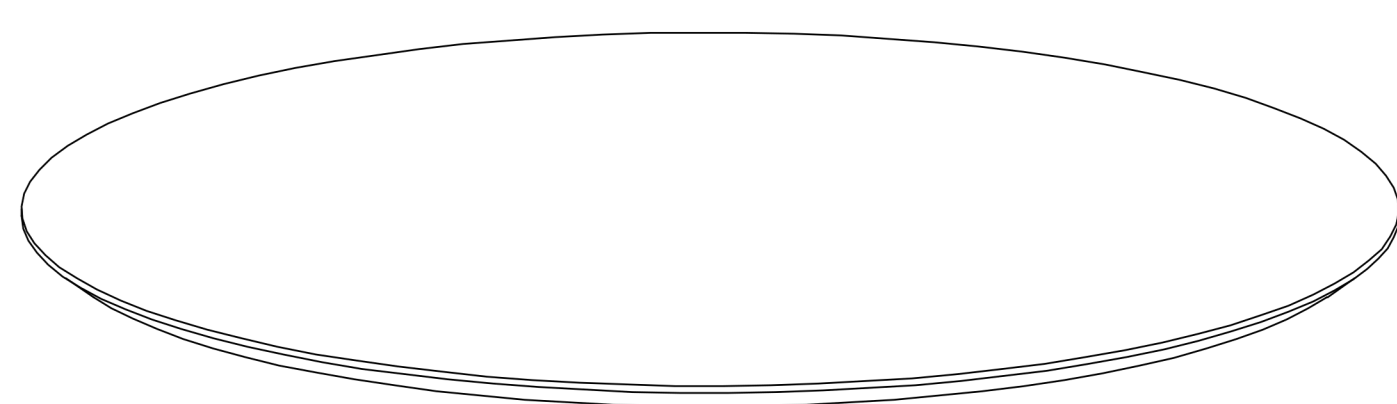


User Instruction

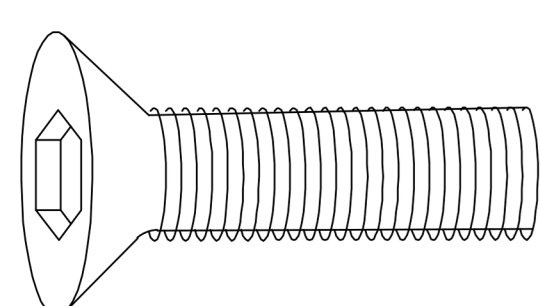
Ax1



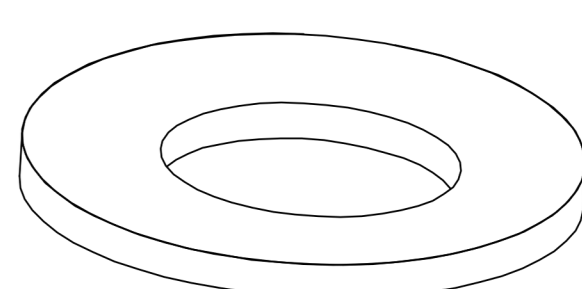
Bx1



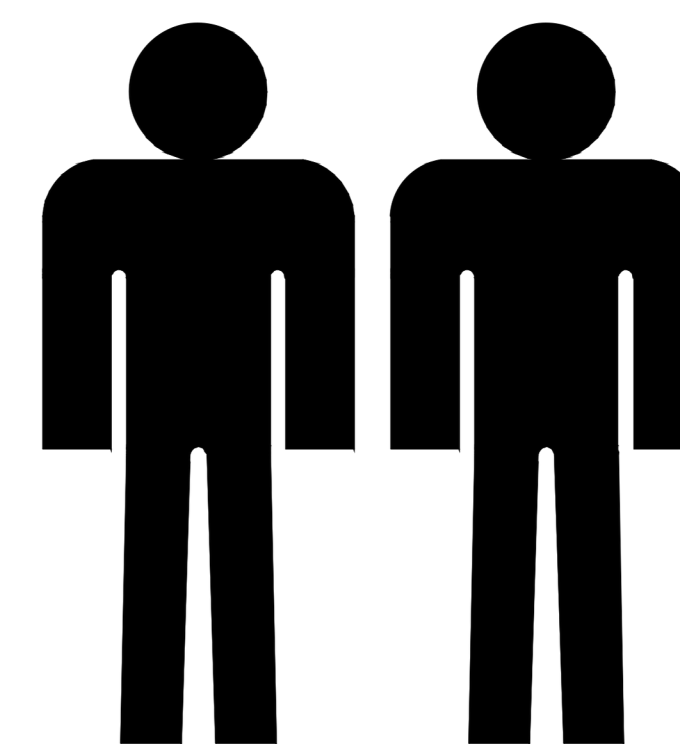
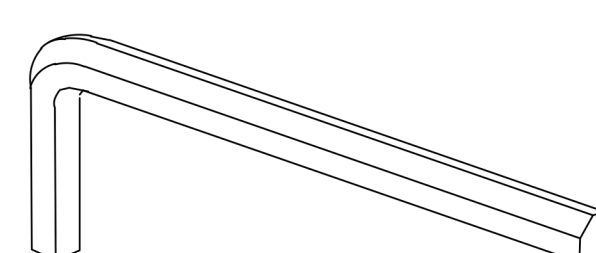
Cx4



Dx4

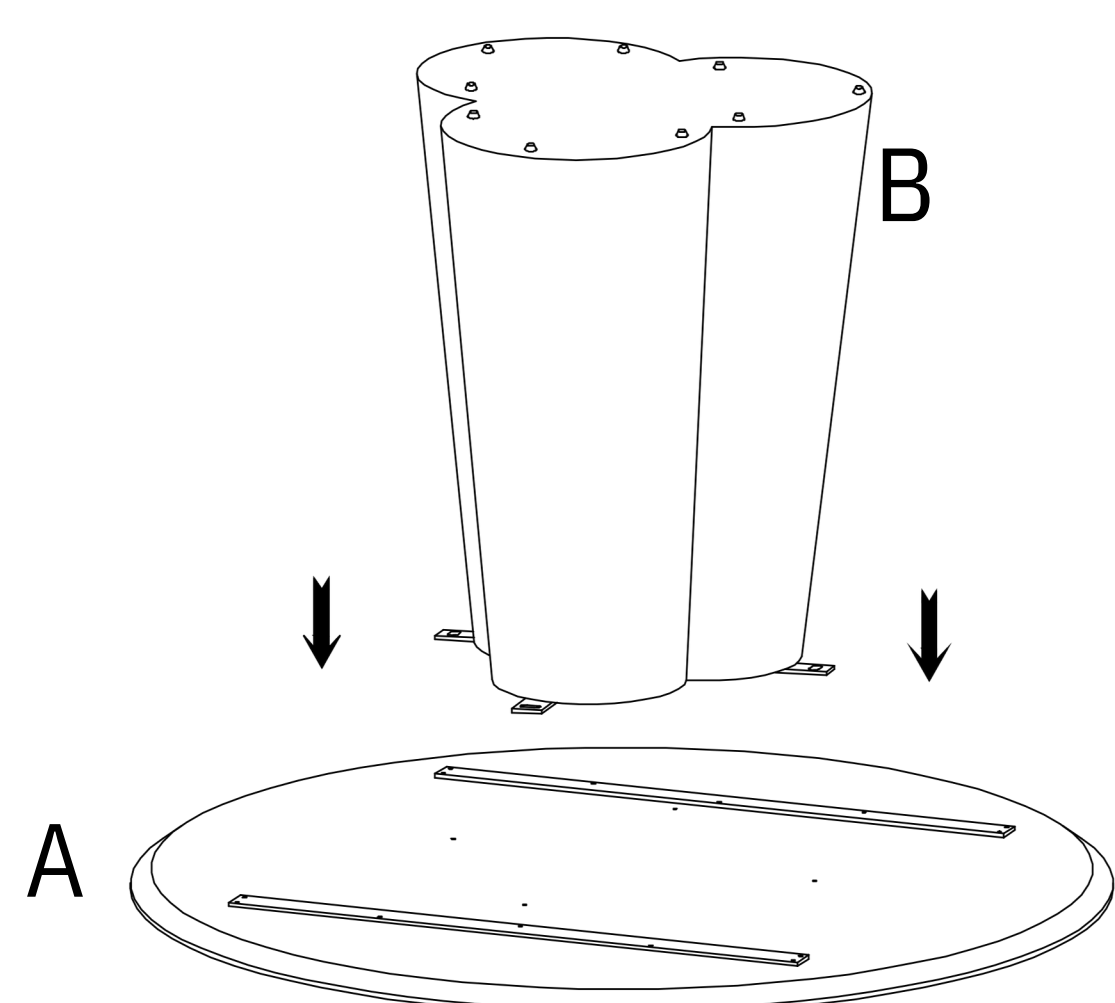


Ex1

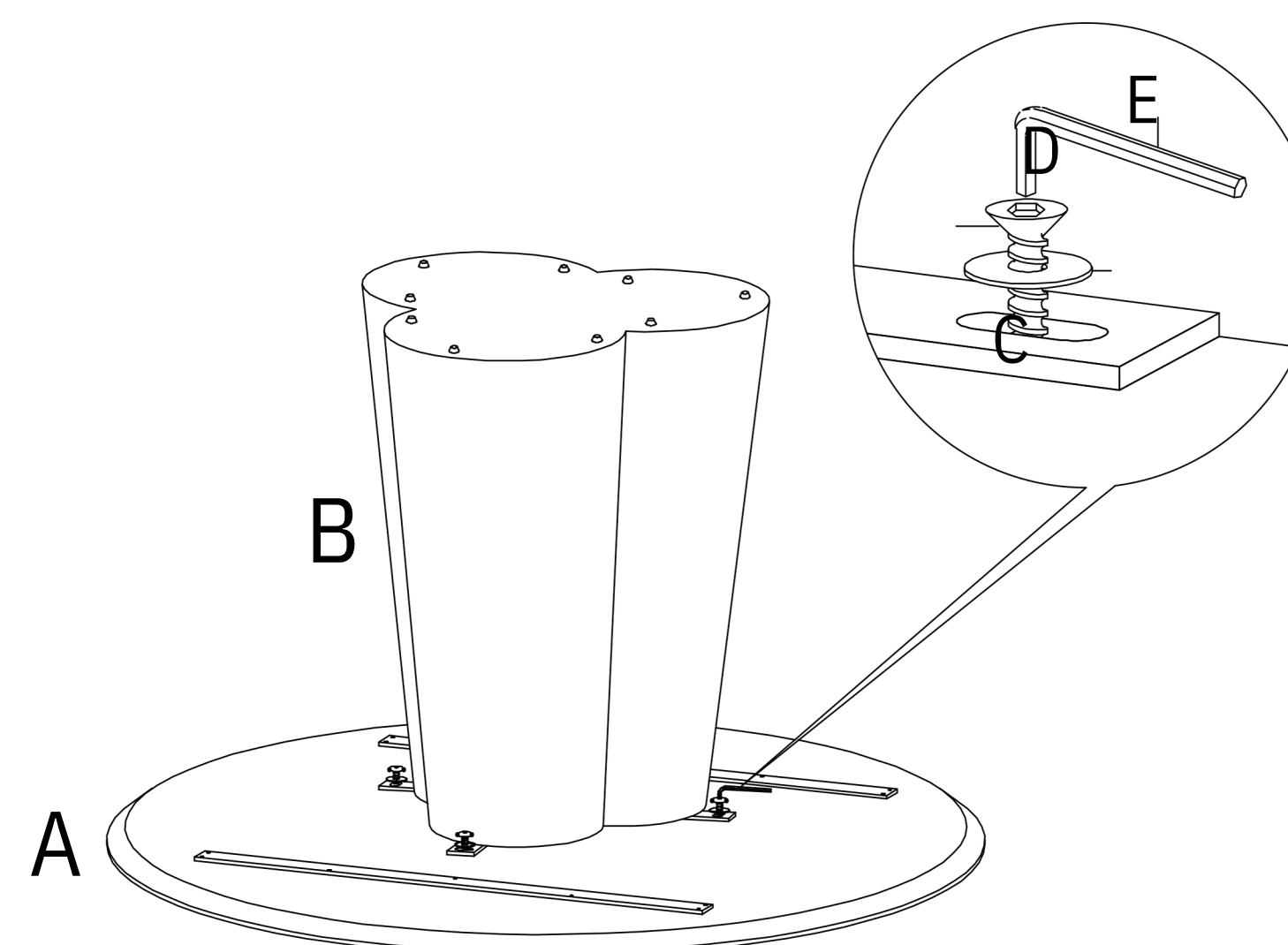


Requires 2 People for assembly

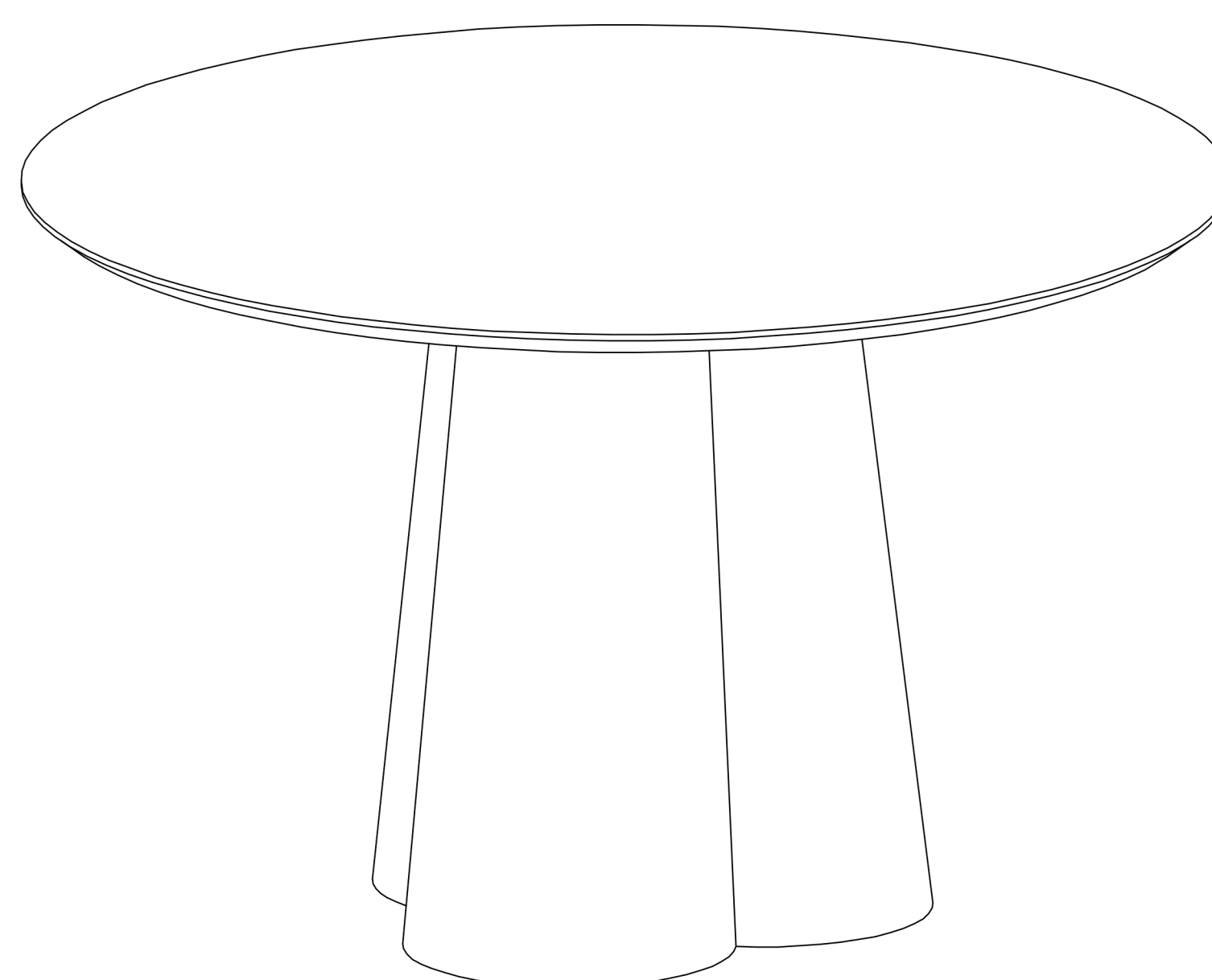
STEP-1 Place top on soft surface to prevent scratches.



STEP-2 Assemble part (A) & (B) as shown, using the hardware (C) & (D) and tighten with the allen key (E).



STEP-3 Adjust leveling feet to prevent tipping.



Assembled Piece