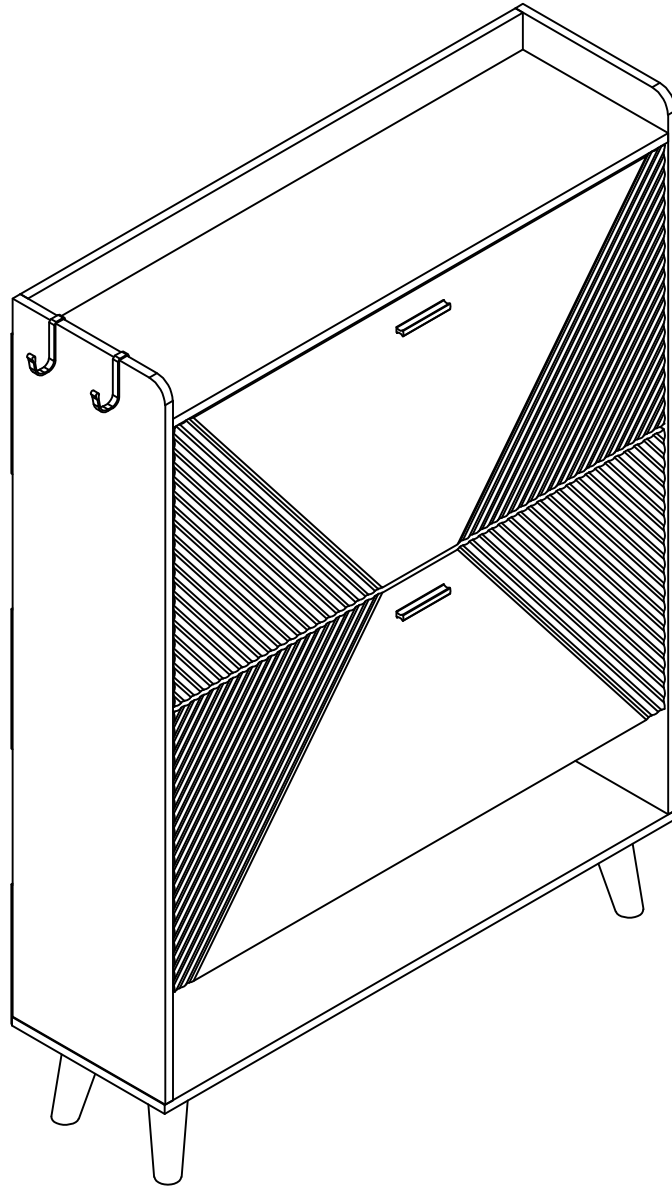


shoe cabinet



ITEM NO.: YJ24033-1220A-01

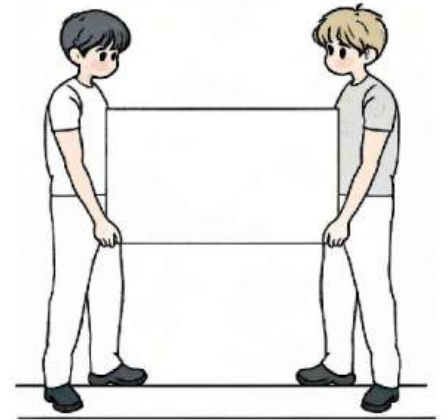
YJ24033-1220B-01

VERSION: 05/04/2025



Please read this manual carefully before assembling or using this product. Follow the instructions thoroughly and keep this manual for future reference.

For a faster and easier assembly, work with a partner.



IMPORTANT INSTALLATION AND MAINTENANCE NOTES

- The furniture is large and heavy, please choose a good placement before installation. After the installation is completed, try not to move it widely. If necessary, more than one person should cooperate to carry it.
- Please note: After the installation is completed, avoid vigorous dragging or using brute force to carry the furniture, as this may cause irreversible damage to the connection points or plates, leading to cracks that affect the functionality and appearance of the product.
- Any product that is assembled using screws should be re-tightened 2 weeks after assembly, and once every 3 months thereafter, to ensure stability throughout the product's lifespan.
- For regular maintenance and cleaning of the product: For the frame, use a rag dipped in neutral detergent to wipe it thoroughly, then dry it with a clean rag. For glass materials, use a rag dampened with a water-based glass cleaner, and then dry it with a dry rag.
- Do not use an electric screwdriver, and avoid using excessive force during installation, as the board is easy to break.
- If you have any issues or questions, please feel free to contact our customer service team at Furniture-AfterSales@outlook.com.

ANTI-TOPPLE WARNING!

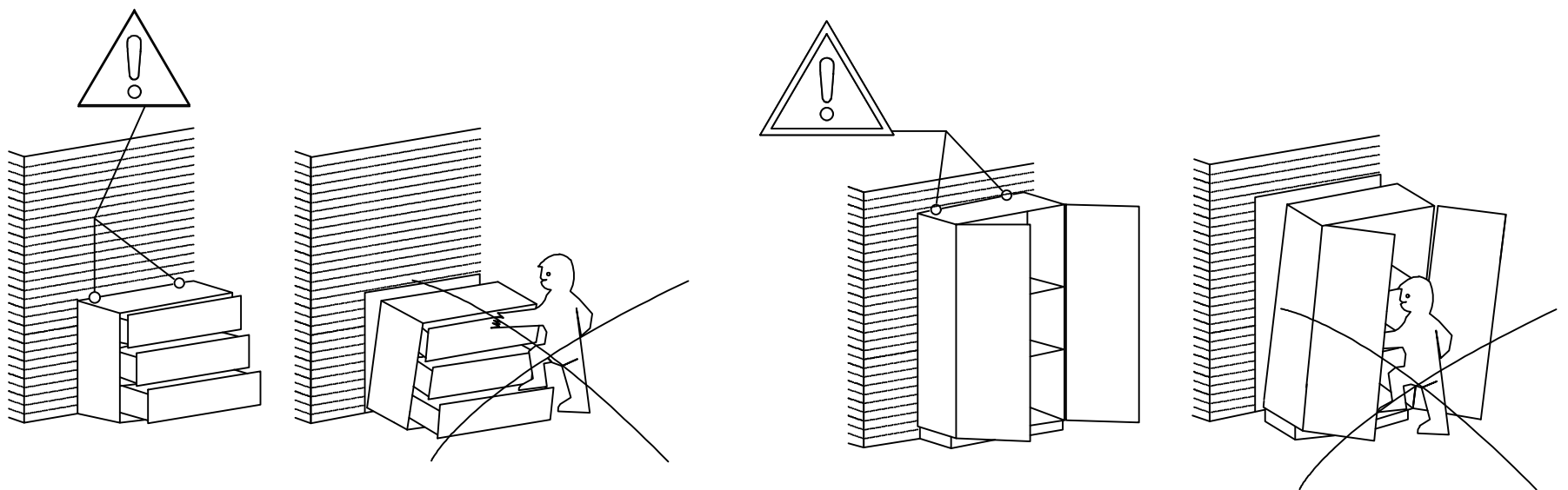
Overturmed furniture can cause serious injury or even death.

To prevent tipping over, always secure the furniture to the wall using the provided wall attachment.

If the wall attachment is not included, purchase one that fits your wall type.

If you're unsure, seek professional assistance to ensure correct installation.

Carefully follow each step of the assembly instructions for safe and secure setup.



This product contains small parts, please keep out of reach of children.

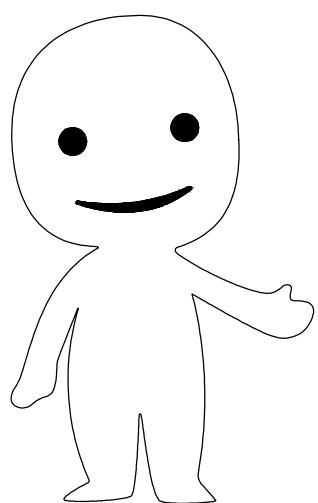
Ce produit contient de petites pièces, s'il vous plaît. À conserver hors de portée des enfants.

Bitte halten Sie kleine Teile außerhalb der Reichweite von Kindern.

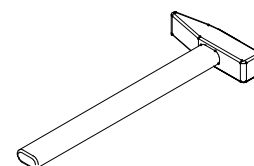
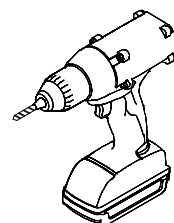
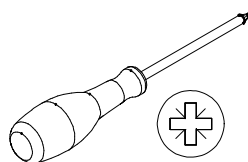
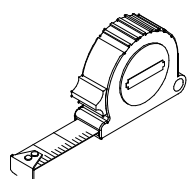
Este producto contiene piezas pequeñas. Mantener fuera del alcance de los niños.

Este produto contém peças pequenas. Por favor, mantenha fora do alcance das crianças.

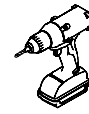
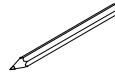
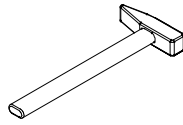
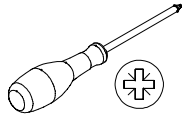
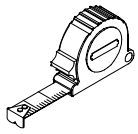
Questo prodotto contiene piccole parti, si prega di tenere fuori dalla portata dei bambini.



Please prepare the following tools



Please prepare the following tools



When installing, please carefully confirm whether each screw corresponds to the manual, accessories with similar shapes can be distinguished by size

A x 8



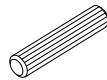
CRA0635A

B x 8



CRB1595A

C x 8



CRF0830A

D x 7



CRD0430A

E x 4



25x16 x 9mm

F x 12

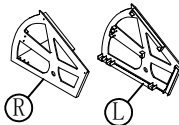


G x 4



Ø18*10mm

H x 2



300x192x22mm

J x 16



CRD3512A

K x 2



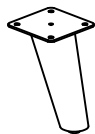
64mm

L x 4



CRE0416A

M x 4



N x 28



CRE0312A

P x 2



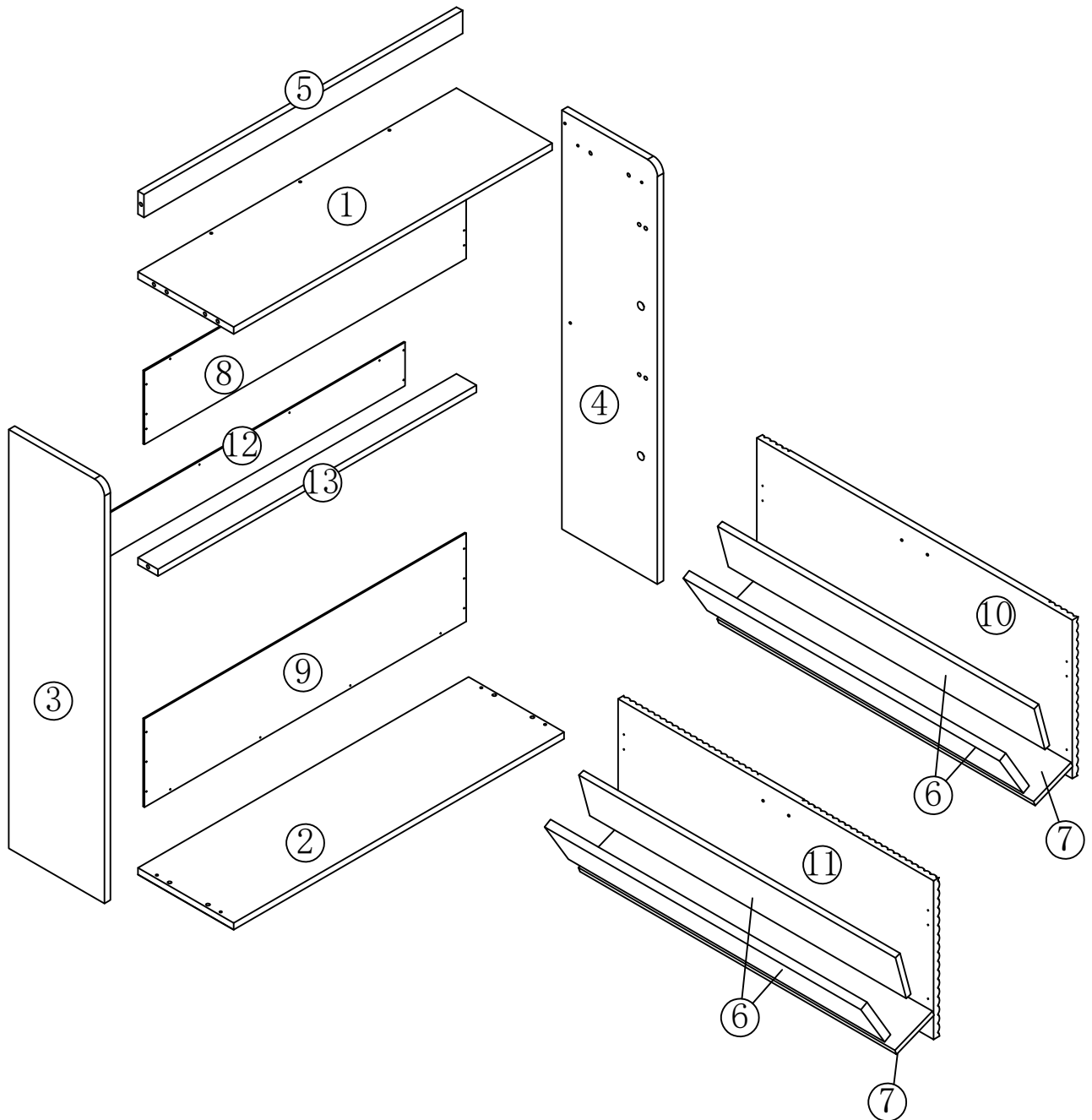
Q x 1



R x 16



CRD3514A



WARNING

Children have died from furniture tipover. To reduce the risk of furniture tipover:

- ALWAYS instal tipover restraint provided.
- NEVER put a TV on this product.
- NEVER allow children to stand, climb or hang on drawers, doors, or shelves.
- NEVER open more than one drawer at a time.
- Place heaviest items in the lowest drawers.

This is a permanent label.
Do not remove!



ATTENTION - AVERTISSEMENT - ACHTUNG - ATENCIÓN - ATENÇÃO - ATTENZIONE

Assemble the furniture on a clean and flat surface and cover it with the cardboard of the packaging.

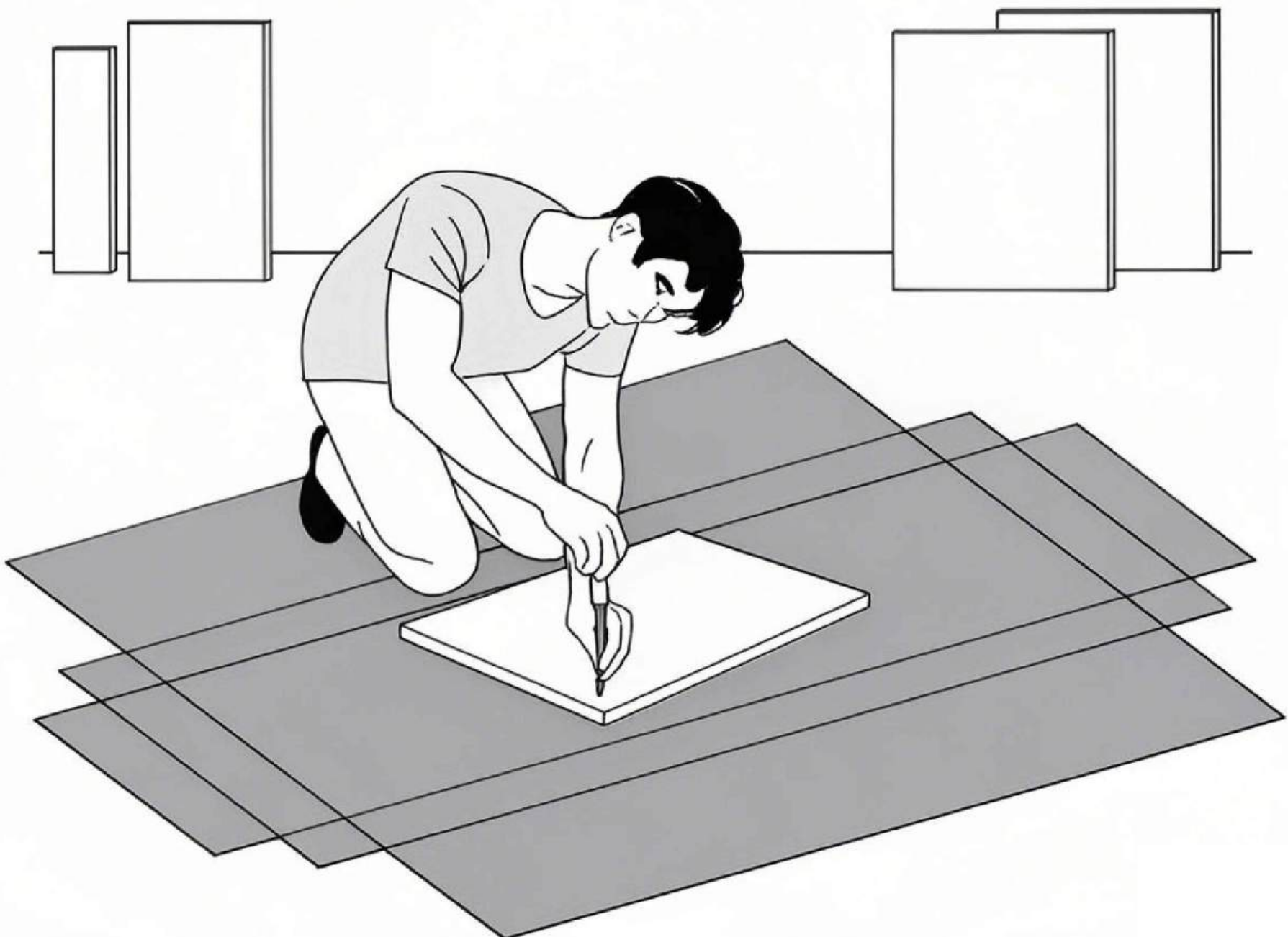
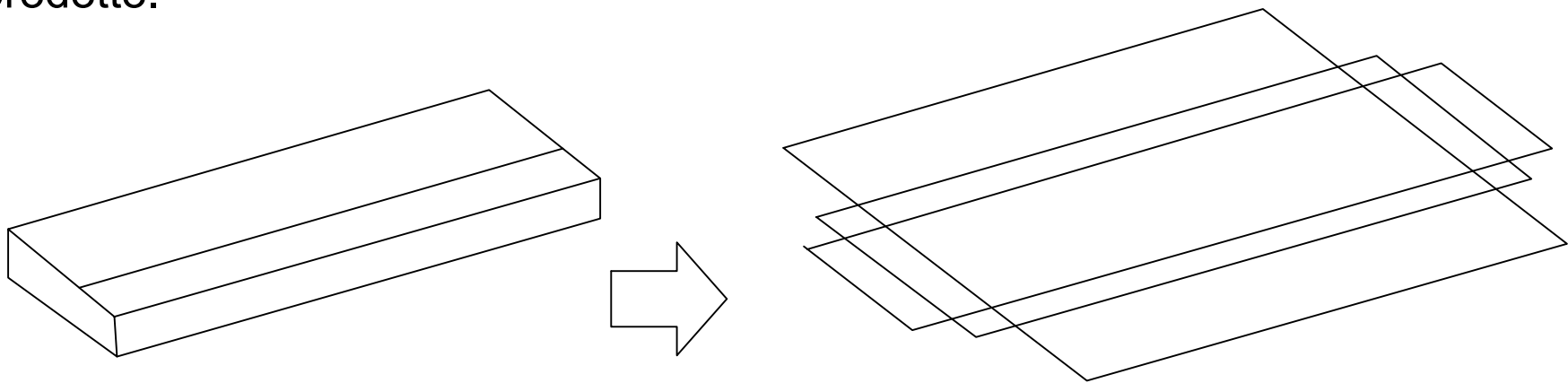
Assemblez le meuble sur une surface propre et plane et couvrez-le avec le carton de l'emballage du produit.

Um Beschädigungen zu vermeiden, montieren Sie den Artikel auf einer weichen, sauberen Unterlage. Tipp: Legen Sie den Artikel auf dem Verpackungskarton.

Montar el mueble sobre una superficie limpia y plana y cubrirlo con el cartón del embalaje del producto.

Montar o móvel sobre uma superfície limpa e plana e forrá-la com o papelão da embalagem do produto.

Montare il mobile su una superficie pulita e piana e rivestirla con il cartone d'imballaggio del prodotto.

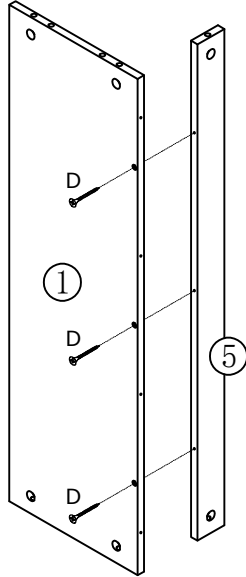
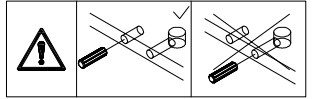
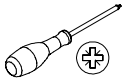


1

D x 3



CRD0430A

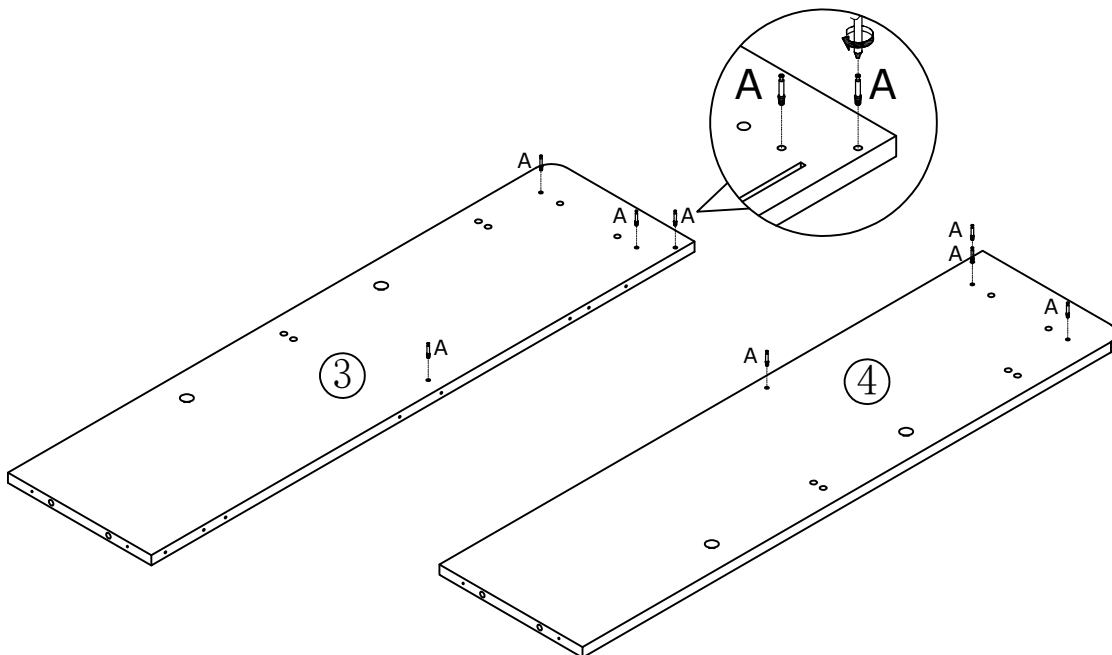
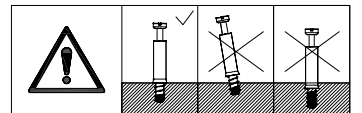
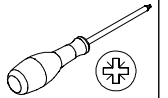


2

A x 8

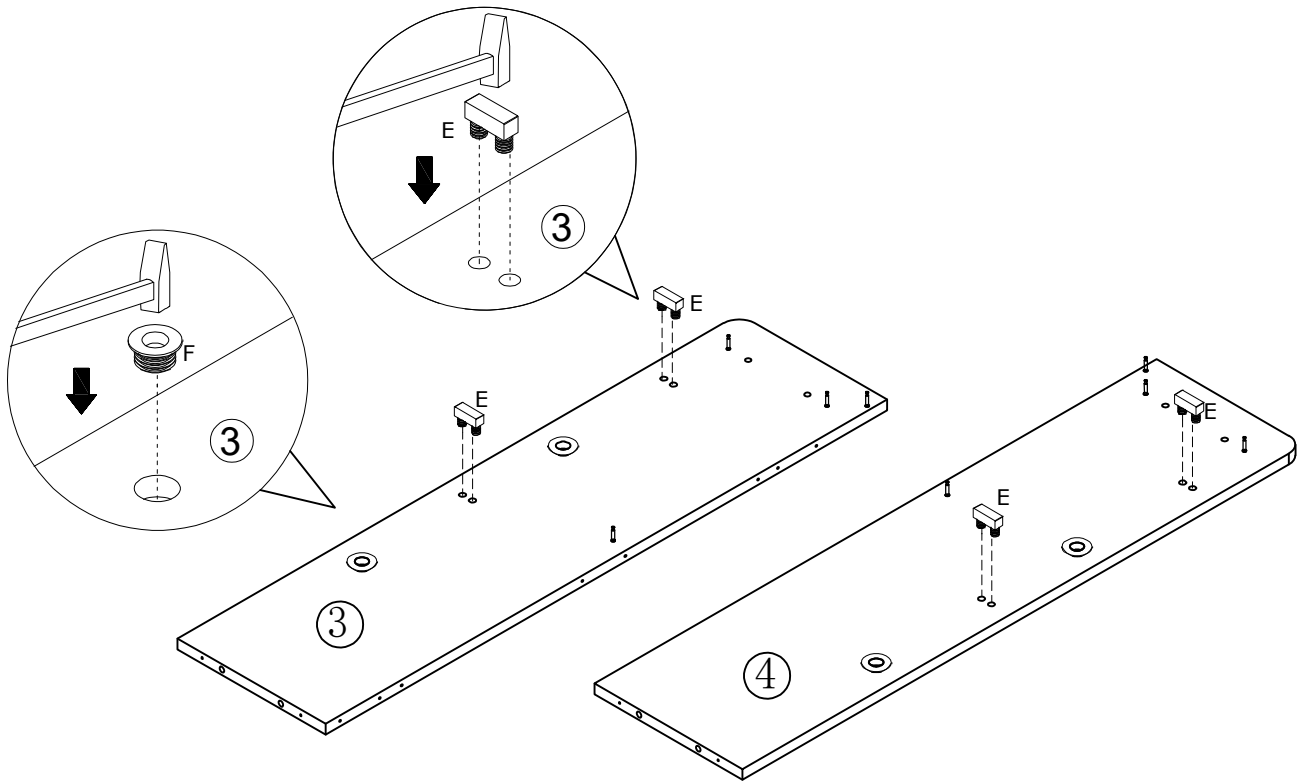
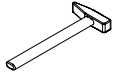


CRA0635A



3

E x 4



4

B x 4

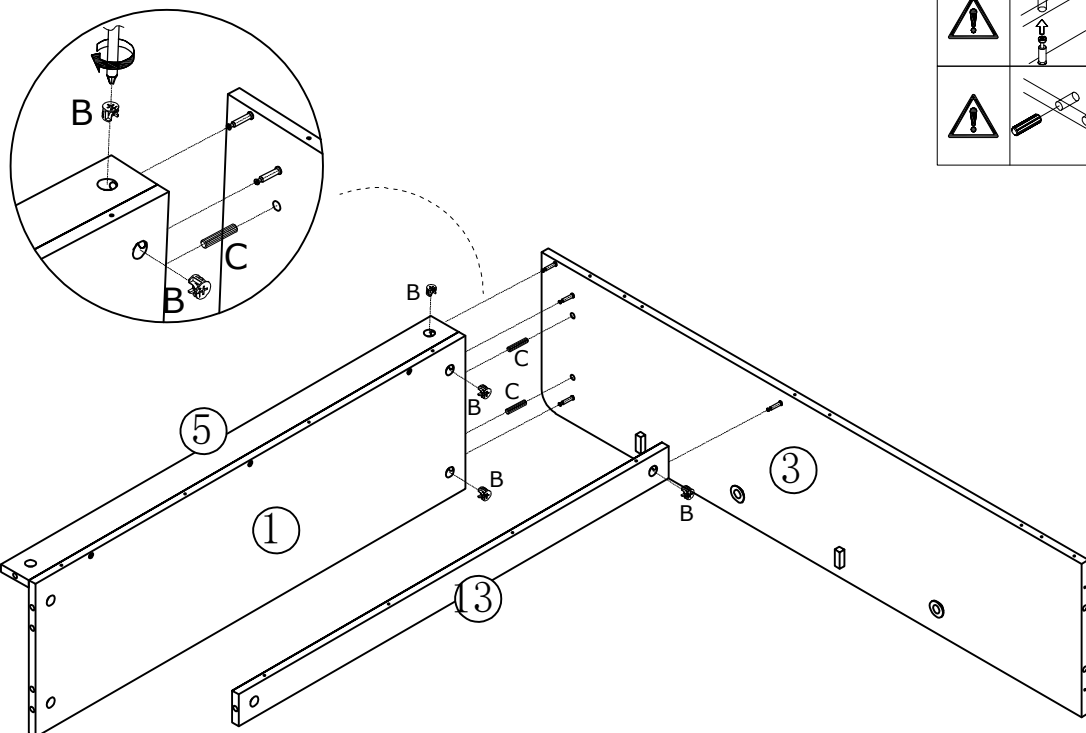
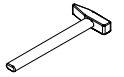
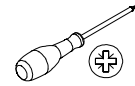


CRB1595A

C x 2



CRF0830A



5

B x 4

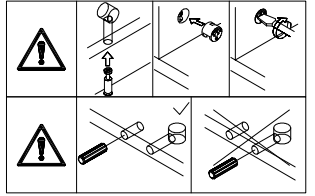
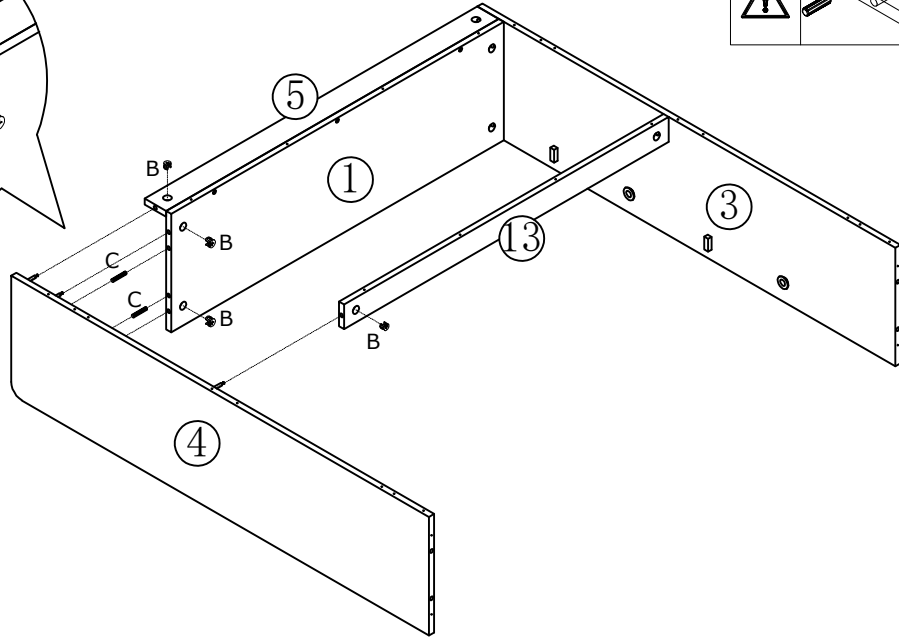
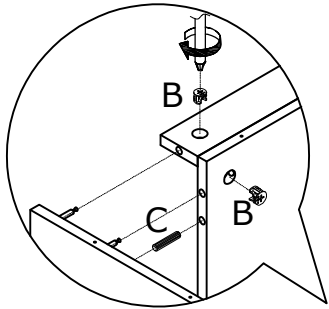
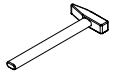
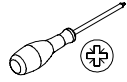


CRB1595A

C x 2



CRF0830A



6

C x 4

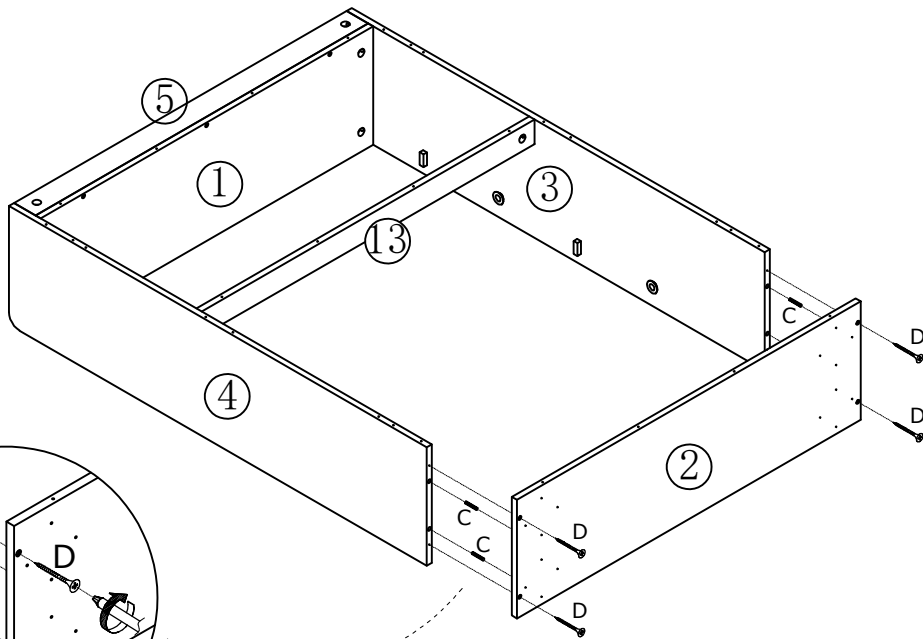
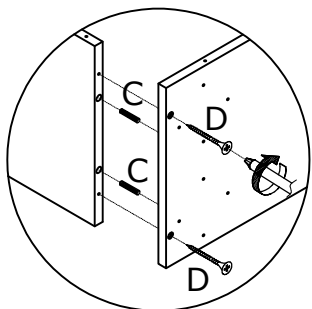
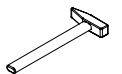
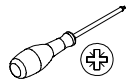


CRF0830A

D x 4



CRD0430A

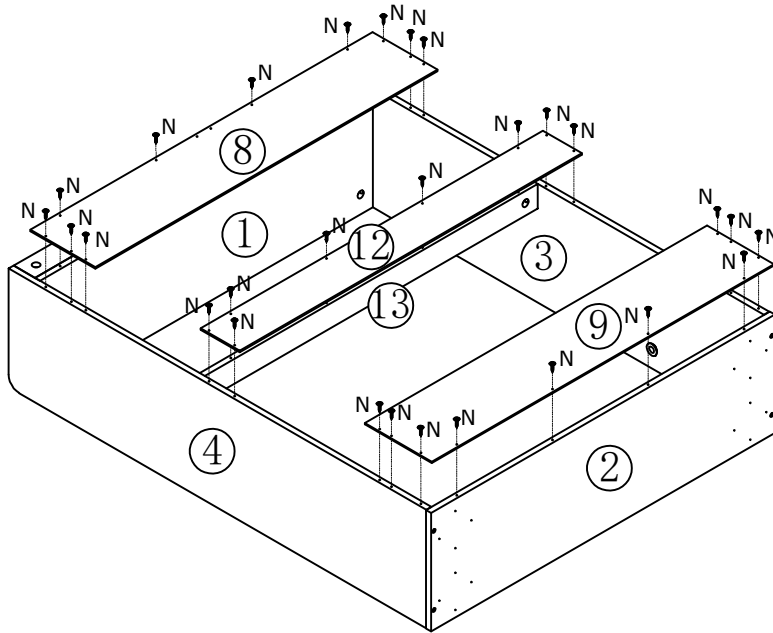
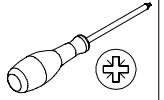


7

N x 28



CRE0312A



8

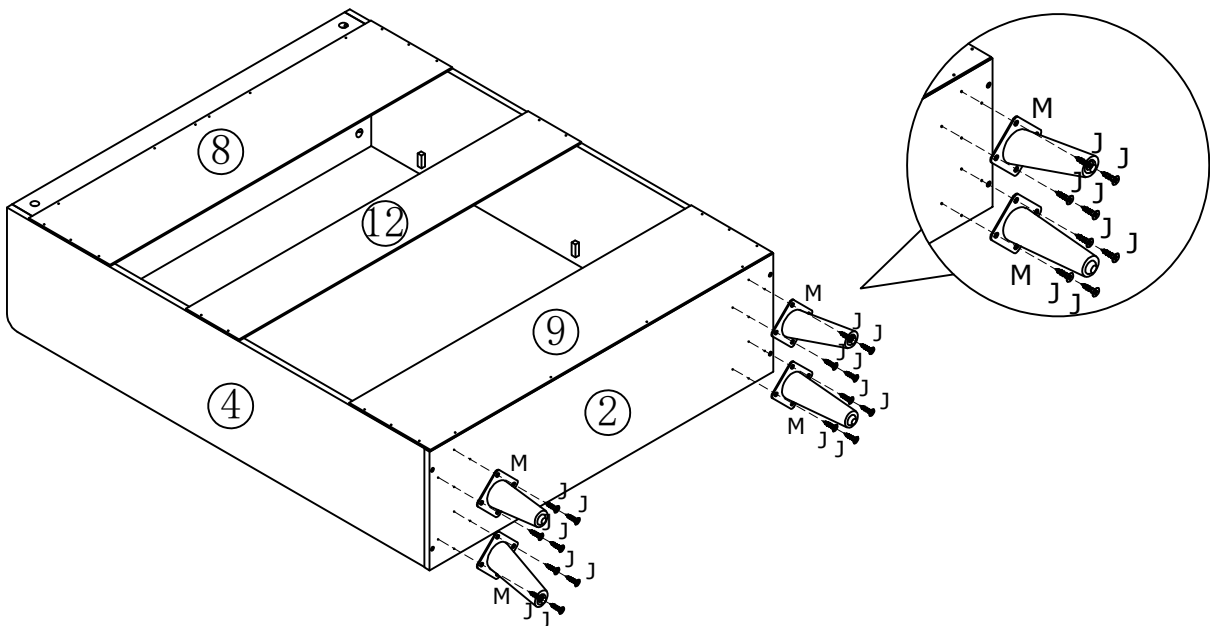
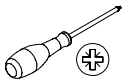
M x 4



J x 16

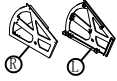


CRD3512A



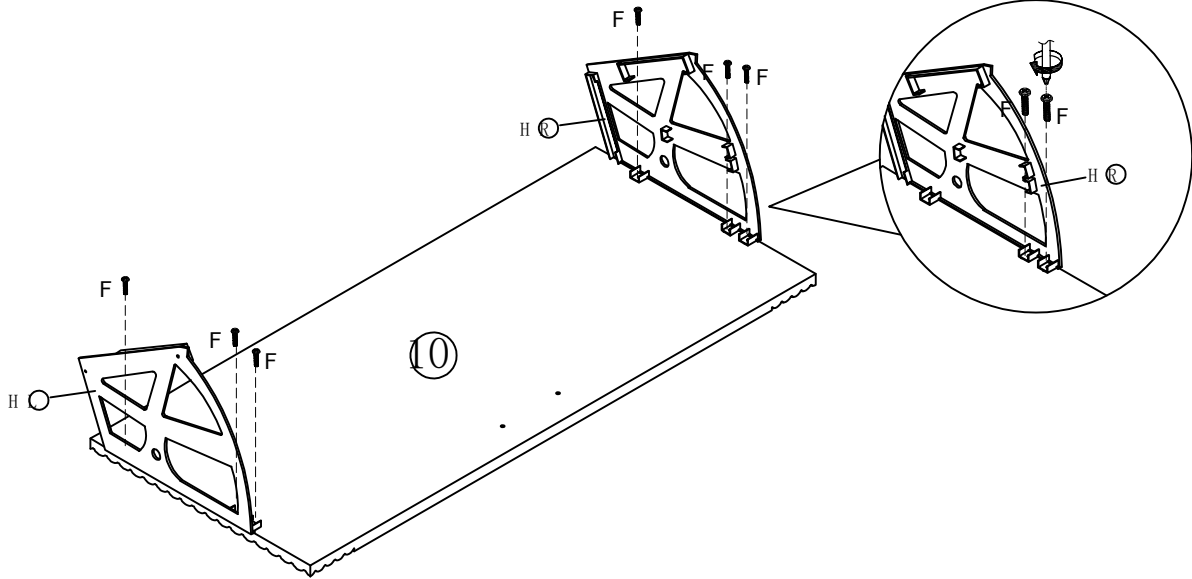
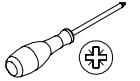
9

H x 1



300x192x22mm

F x 6

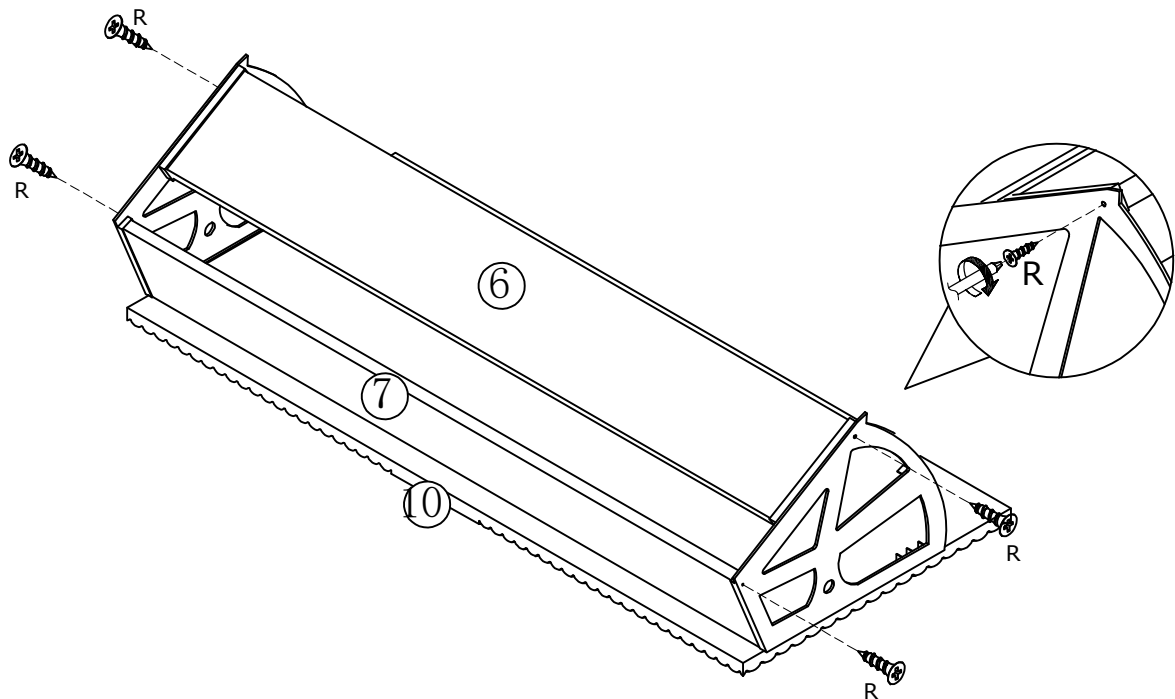
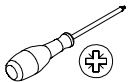


10

R x 4

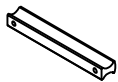


CRD3514A



11

K x 1

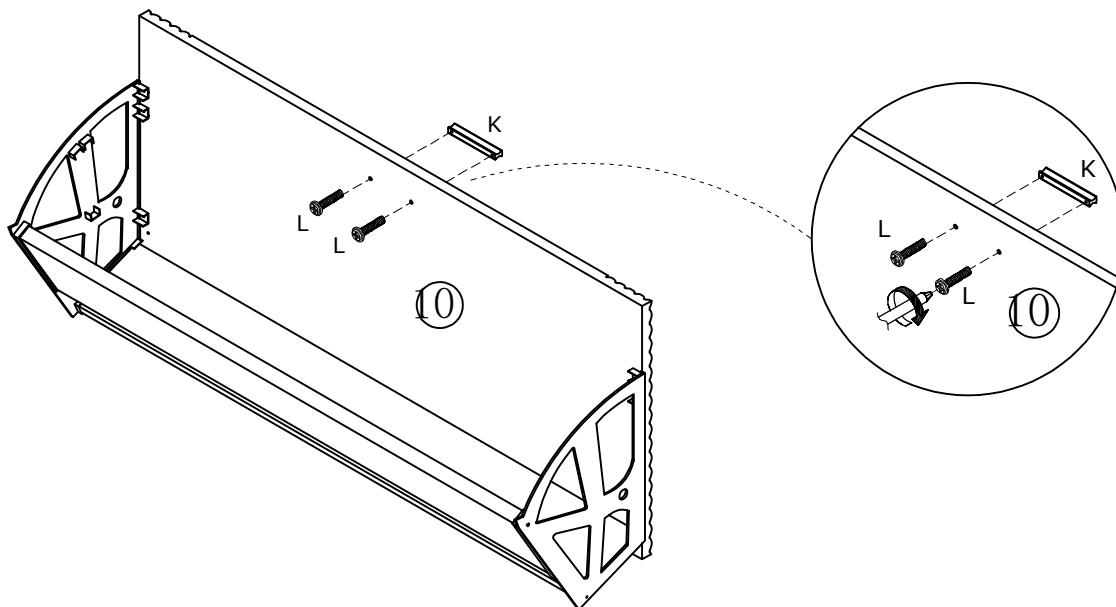
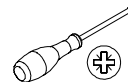


64mm

L x 2

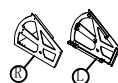


CRE0416A



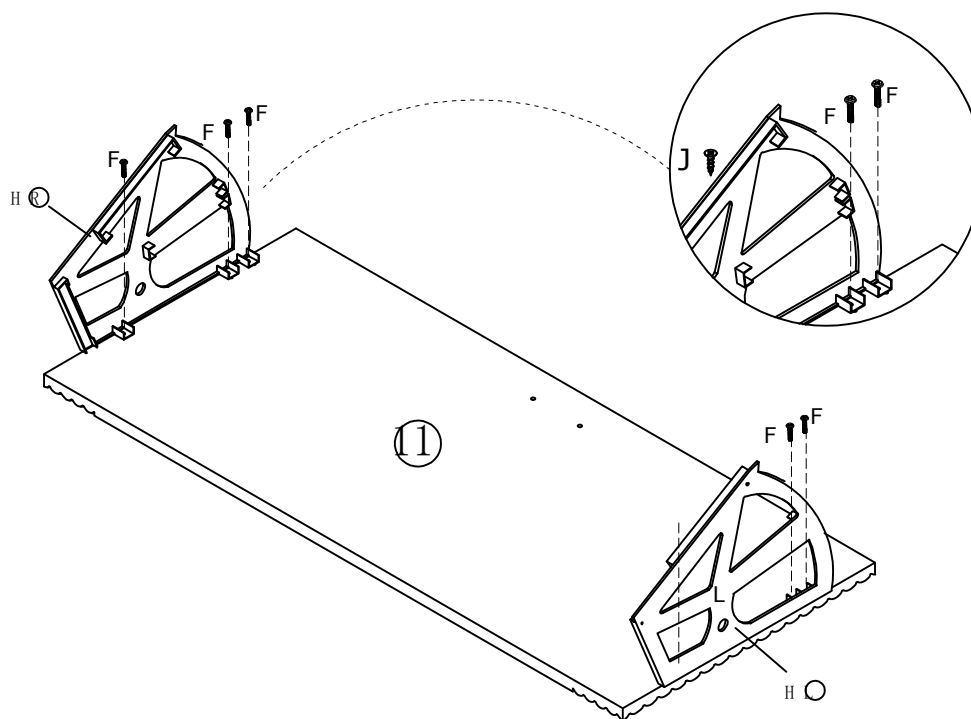
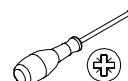
12

H x 1



300x192x22mm

F x 6

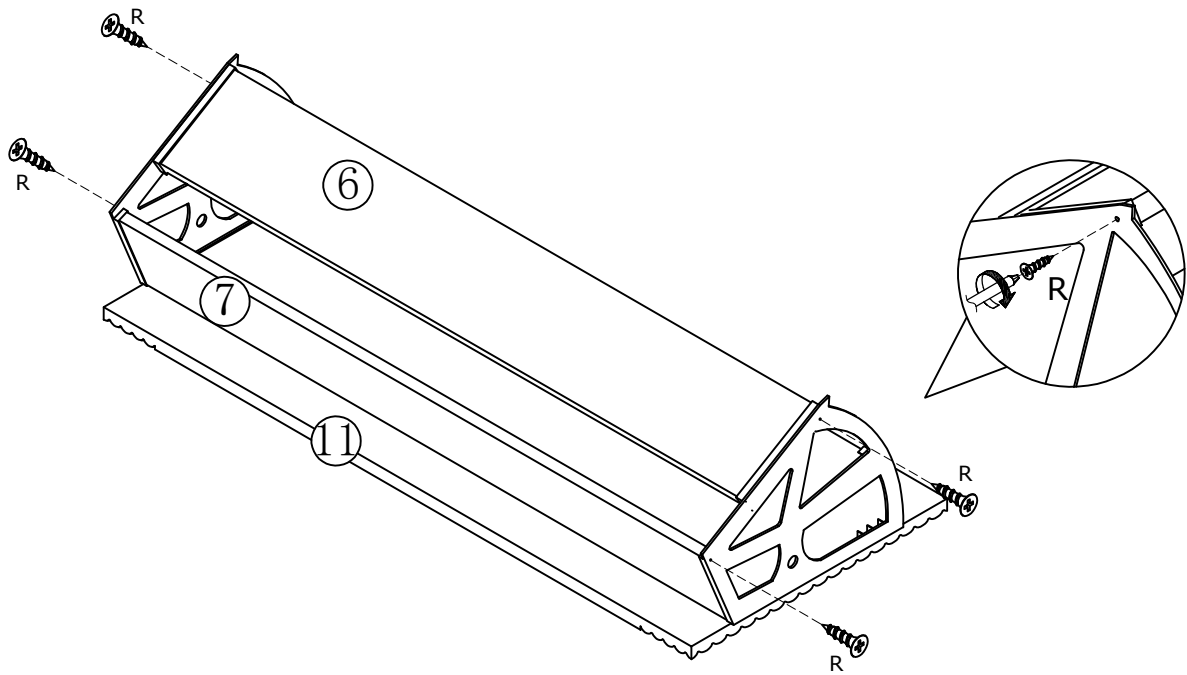
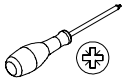


13

R x 4

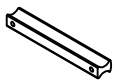


CRD3514A



14

K x 1

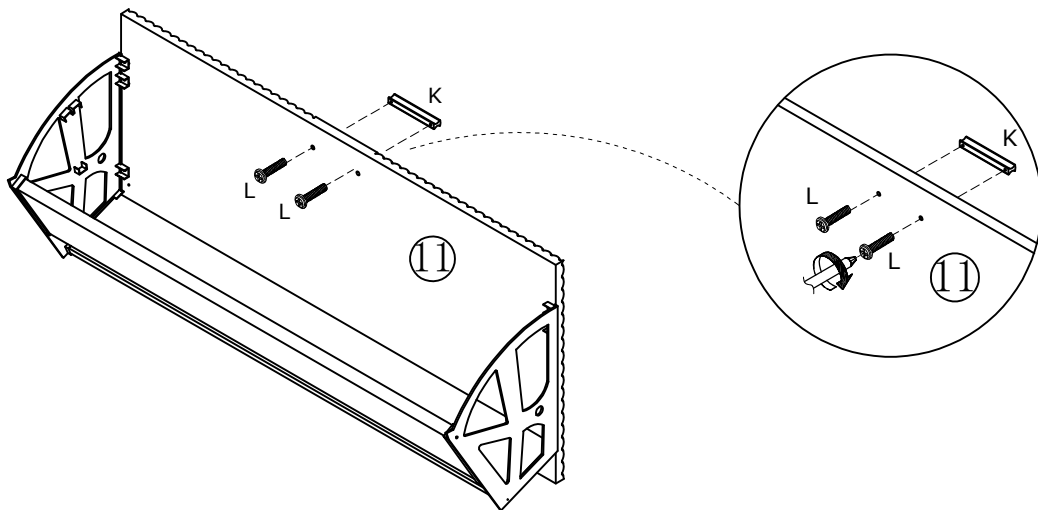
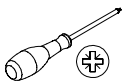


64mm

L x 2



CRE0416A



15

G x 4

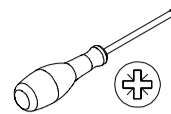


Ø18 x 10mm

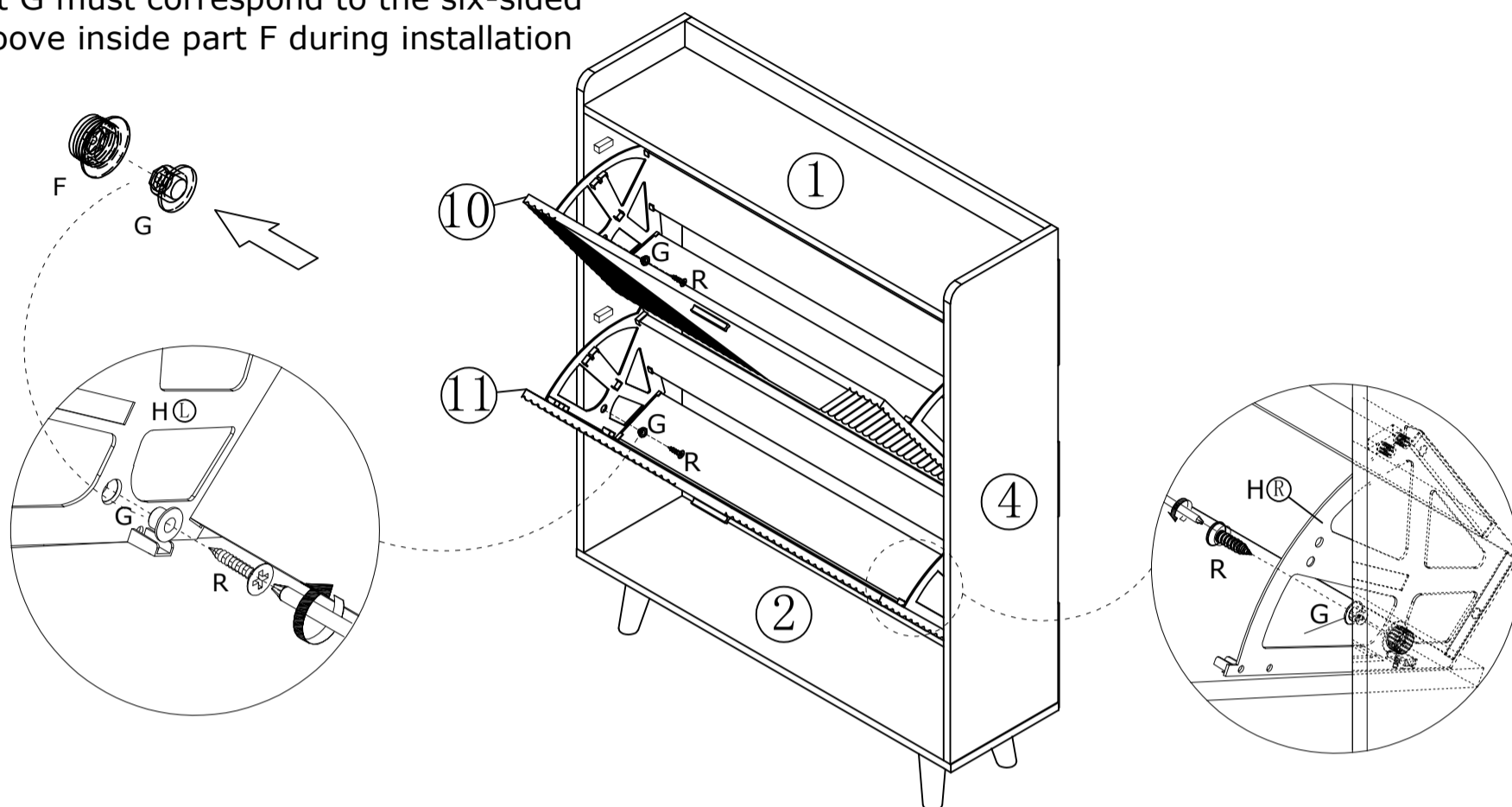
R x 4



CRD3514A



Note: The six-sided bump at the bottom of Part G must correspond to the six-sided groove inside part F during installation

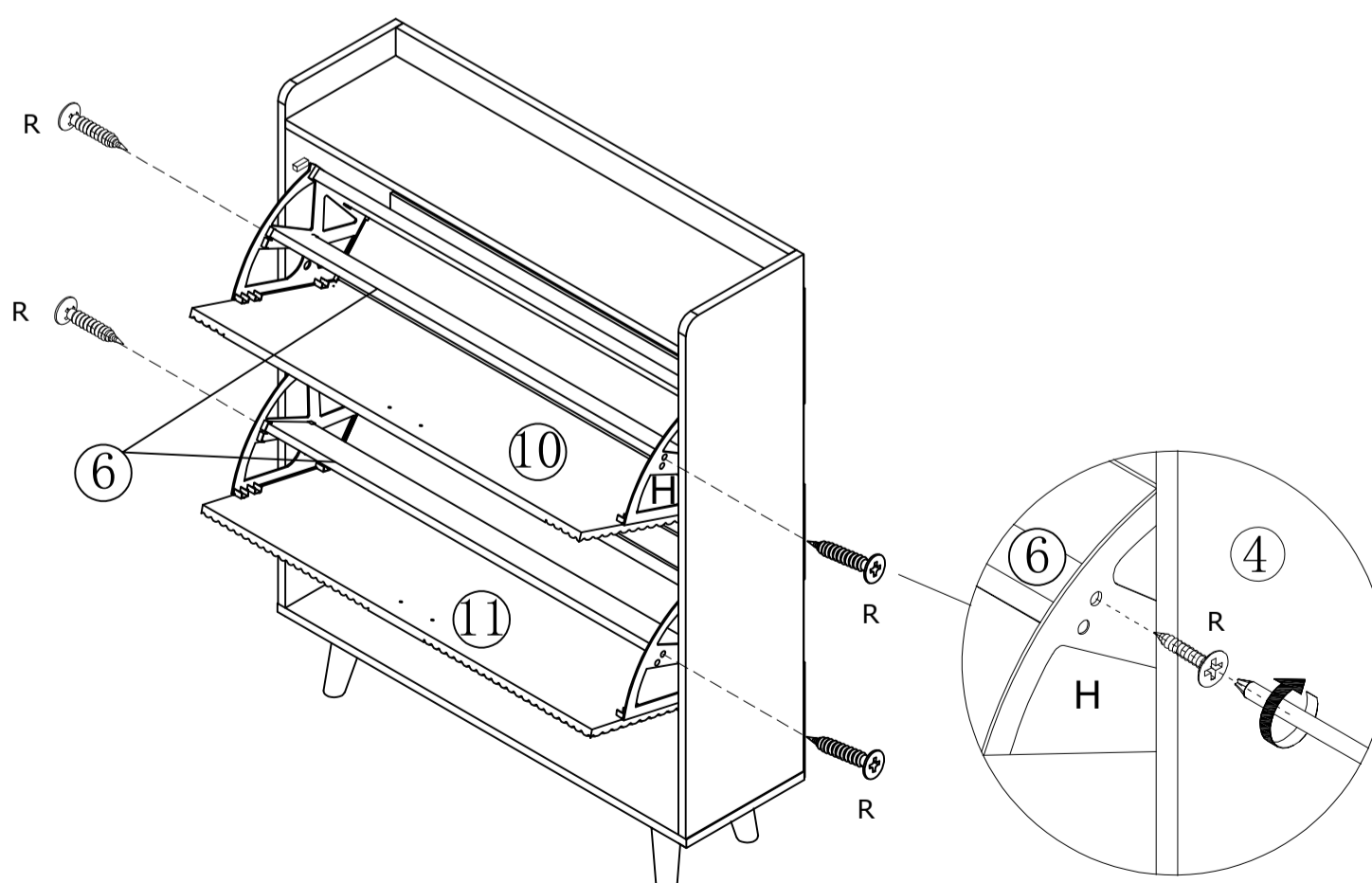
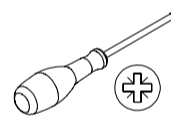


16

R x 4

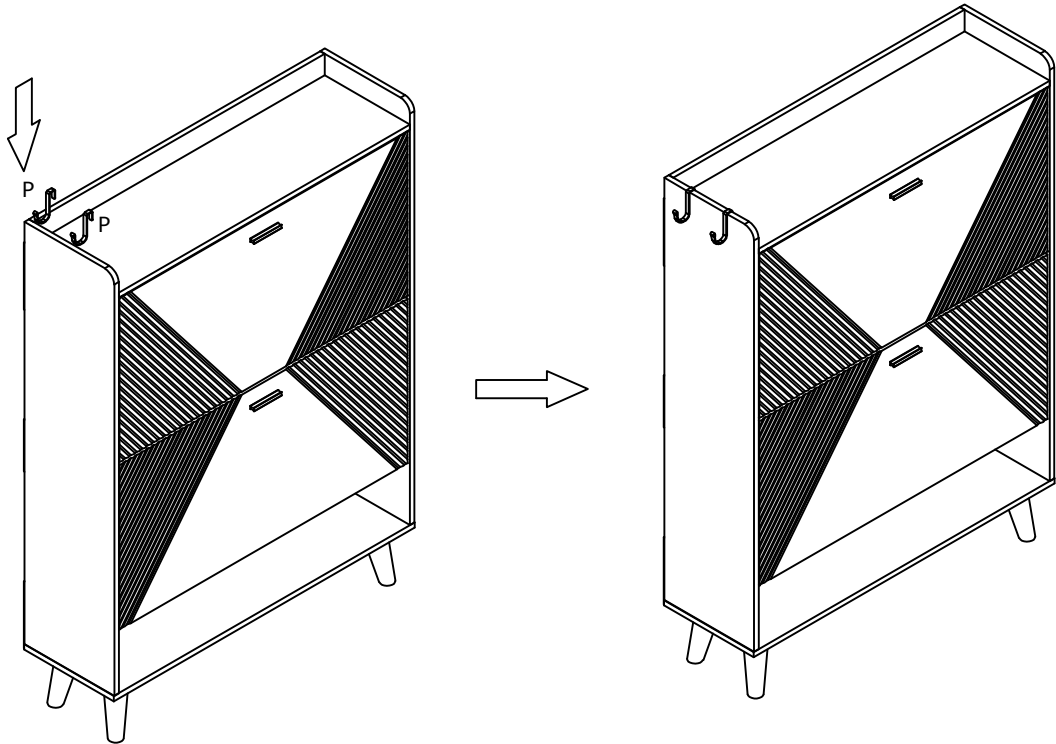


CRD3514A



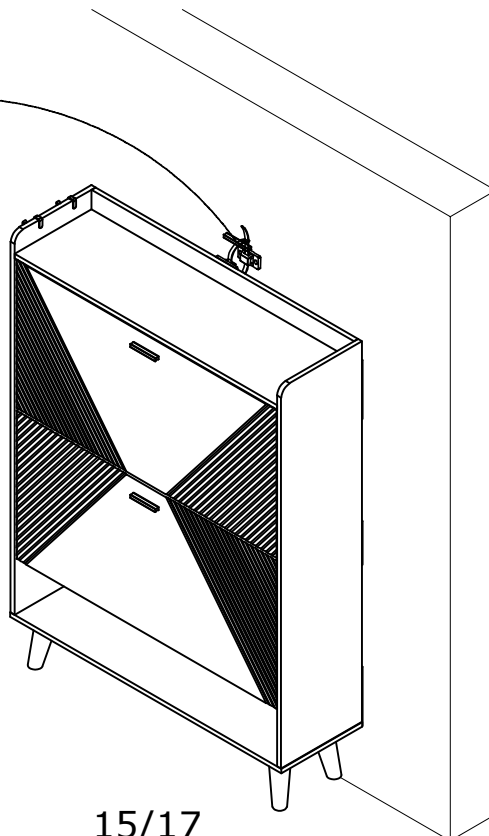
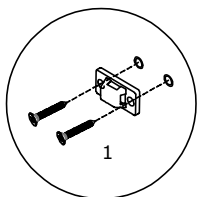
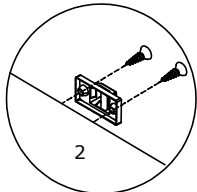
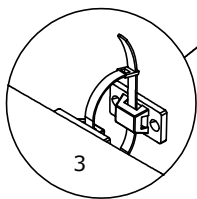
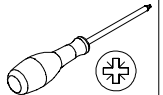
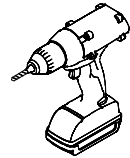
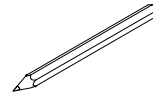
17

P x 2



18

Q x 1



15/17

WARRANTY

WARRANTY CLAIMS

- There is a 30-day warranty for broken furniture or any other problems that cause improper function. The warranty starts from the date of purchase and requires proof of purchase.
- The product must be used in accordance with the provided instructions.
- For other reasons, if the furniture needs to be returned, it must be cleaned, dried, and operated within 30 days of receipt.

Type of Warranty Claim

- Failure to follow the furniture instructions will invalidate the warranty. Please note, the warranty does not cover damage during installation, but does cover damage incurred during transportation.

Scope of Responsibility

- We are not responsible for misuse, user damage, or loss of parts during the installation of the furniture. Additionally, any damage or scratches incurred after use are not covered by the warranty.

WARRANTY CLAIMS

- The warranty for products purchased in the U.S. covers the following areas:
- Sheet parts: 1 month from the date of purchase.
- Electrical parts: 1 month from the date of purchase.

AFTER-SALES CONTACT



Furniture-AfterSales@outlook.com

RETURNS

Changed your mind and need to return your item?

Please follow the instructions below:

- If you have purchased the item and simply changed your mind, please follow the retailer's return instructions.

DEFECTIVE ITEMS

- If your item is defective in any way, meaning it doesn't work but you cannot identify the cause, please first consult our FAQ section at Furniture-AfterSales@outlook.com, as there may be a simple solution to the issue.

DAMAGED ITEMS

- If you receive an order with obvious shipping damage, we suggest refusing the delivery. If the delivery has already been accepted and you later find shipping damage, please follow the specific instructions provided by the retailer.
- In all cases, please keep all packaging materials and paperwork related to the order.
- Please be aware that if you dispose of packaging materials or attempt to return the item without contacting the retailer, you may risk losing your chance to file a claim, and you may not receive credit for the return.

AFTER-SALES CONTACT



Furniture-AfterSales@outlook.com