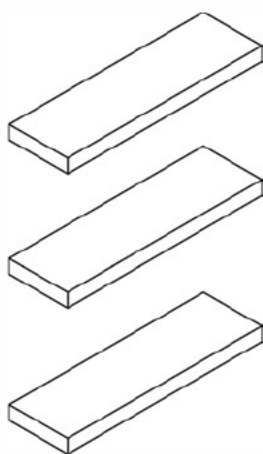


Floating Shelf Instruction Manual

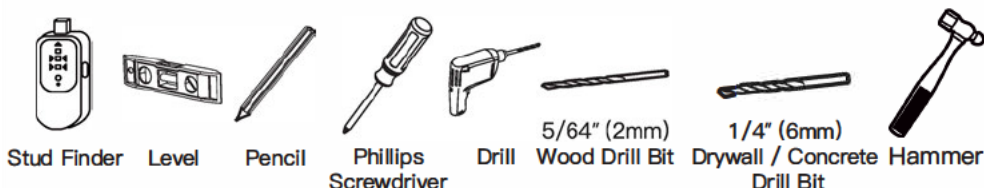
Manuel d'instructions pour les tablette flottante



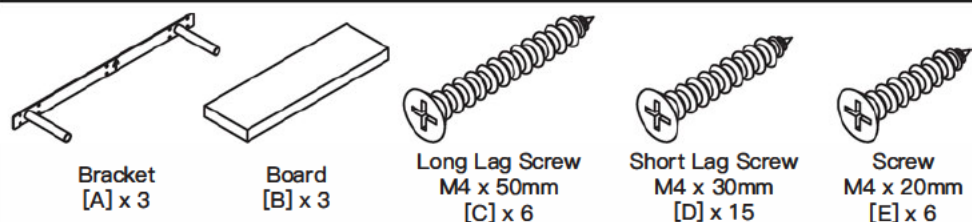
IMPORTANT SAFETY INFORMATION

- Check package contents against supplied parts and hardware list to ensure that all components were received undamaged. DO NOT use damaged or defective parts.
- Carefully read all instructions before attempting installation.
- NOT all parts and hardware included will be used.
- DO NOT use this product for any purpose that is NOT specified in this manual. We are not liable for damage or injury caused by improper mounting, incorrect assembly or inappropriate use. Thank you for your understanding.

Tools Needed (NOT Included)



Supplied Parts and Hardware



Drywall Anchor



13 x 42mm
F x 15

⚠ CAUTION!

This drywall anchor [F] is for drywall ONLY. DO NOT use them in concrete / brick / wood studs wall.

Wall Anchor



M6 x 30mm
G x 15

⚠ CAUTION!

This wall anchor [G] is for concrete or brick walls ONLY. DO NOT use them in drywall or wood studs.

Step 1 Secure the Bracket to the Wall

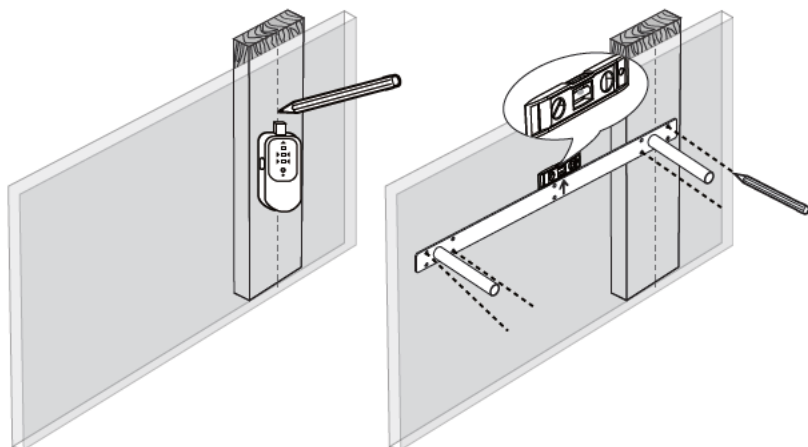
Before installation, please identify your wall type.

For wood stud installation, follow step 1A.

For drywall installation, follow step 1B.

For solid concrete and concrete block walls installation, follow step 1C.

Step 1A Wood Stud on one Side and Drywall on the Other



Stud Finder
(NOT Included)

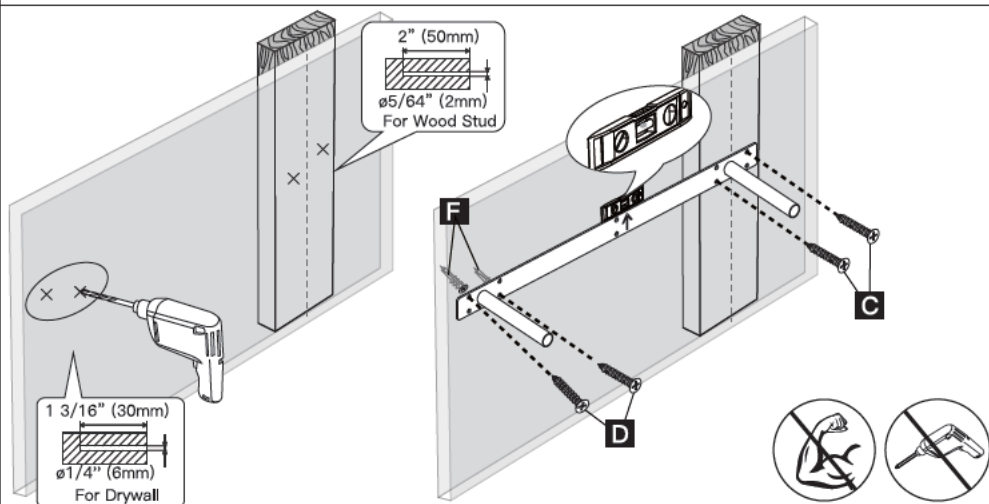


Level
(NOT Included)



Pencil
(NOT Included)

Use a stud finder (NOT Included) to locate wood studs. Mark the edge and center locations. Position the bracket [A] at your desired height and line up the holes with your stud center line. Level the bracket [A] and mark the holes.



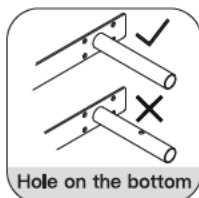
WARNING: DO NOT use anchors [F] or [G] on wood stud. The drywall anchors [F] are for drywall only!



Drill
(NOT Included)



Phillips
Screwdriver
(NOT Included)



Hole on the bottom

Use a drill to drill holes. Screw the drywall anchors [F] into the drywall using a Phillips screwdriver. Install bracket [A] with lag screws [D] for drywall and [C] for wood stud, using a Phillips screwdriver.