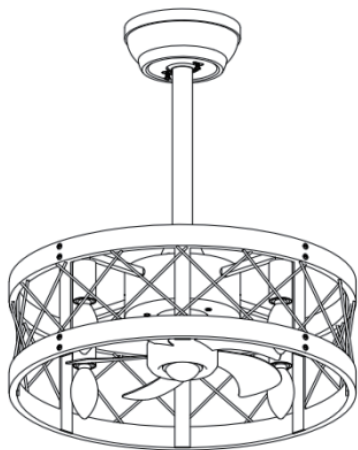


# edishinē

## Indoor Pendant Ceiling Fan

SKU: HCFM09D

[Instruction Manual]



Please pay attention to the warning signs  
Read the instructions with caution before operating  
and keep it properly

V50722

## SAFETY INFORMATION

READ ALL SAFETY INFORMATION AND INSTALLATION INSTRUCTIONS BEFORE YOU BEGIN INSTALLING THE FAN AND SAVE INSTRUCTIONS.

### CAUTION:

- All sets screws of the fan must be checked and retightened where necessary before installation.
- Do not insert foreign objects in between rotating fan blades.
- To reduce the risk of electrical shock or fire, do not use this fan with any solid-state fan speed control device. It will permanently damage the electronic circuitry.
- To reduce the risk of personal injury, do not bend the blade arms (also referred to as flanges), when installing the brackets, balancing the blades or cleaning the fan.
- The safeguards provided by these safety instructions and by the separate installation instructions are not meant to cover all possible conditions and situations that may occur. It must be understood that common sense, caution and care are factors which cannot be built into this product. These factors must be supplied by the person(s) installing, caring for, and operating the fan.

## CONTENTS (Note:Hardware shown not in actual size not shown in actual size)

AA



Outlet box screws  
x2

BB



Wire nuts  
x3

CC



Tapping Screw (big)  
x4

DD



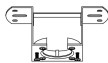
Anchor (big)  
x4

EE



Flat Washer  
x4

FF



Mounting Bracket  
x1

GG



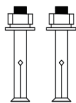
Anchor (small)  
x2

HH



Tapping Screw (small)  
x2

II



Expansion Screws  
x2

JJ



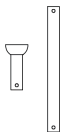
Installation Instruction  
x1

KK



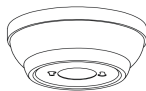
Coupling Cover  
x1

LL



Downrod & Hanger  
Ball x1

MM



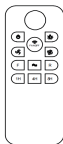
Canopy  
x1

NN



Fan Body  
x1

OO



Transmitter  
x1

PP



Controller  
x1

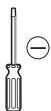
## PRE-INSTALLATION

### PREPARATION

To avoid damaging the product, assemble it on a soft, non-abrasive surface, such as carpet or cardboard. Inspect each part for defects such as the wire insulation for any cuts, abrasions, or exposed copper that may have occurred during shipping. If there is a defect in the wire, do not continue the assembly process.

Estimated Assembly Time: 10-20 minutes

### TOOLS REQUIRED



Flathead screwdriver



Phillips screwdriver



Wire cutter



Electrical tape



power drill



hammer



Step ladder

### ASSEMBLY INSTRUCTIONS

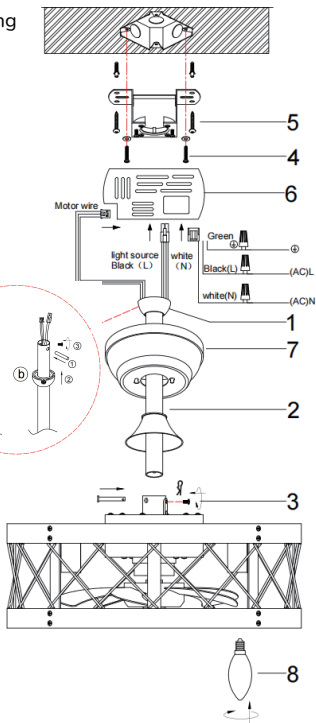
**⚠ DANGER:** Failure to disconnect the power supply prior to installation may result in serious injury or death.



Turn off the power at fuse or circuit box.

Junction box  
(not included)

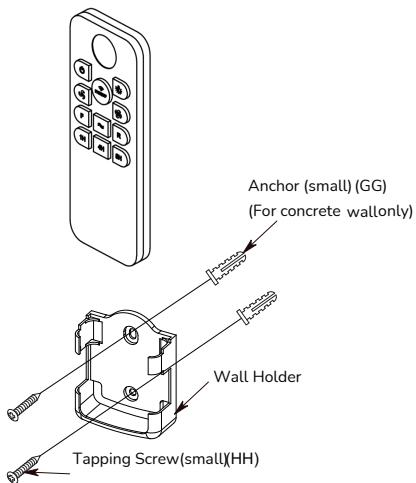
Ceiling



1. Pass the motor wire and light source wire through the suspension rod(LL), insert the pin into the hole on the downrod (LL), install the hanger ball and secure it with screws.
  2. Pass the Coupling Cover(KK) and Canopy(MM) through the Downrod(LL), which is available in two lengths according to the desired length.
  3. Insert the Downrod(LL) into the hanger head of the Fan Body(NN), put a pin through the hole of the Downrod(LL) and attach a snap pin, then lock the Fan Body(LL) with a screw to fix it.
  4. Secure Mounting Bracket(FF) to junction box with Outlet box screws(AA) and Flat Washer(EE).
  5. Secure the Mounting Bracket(FF) to the ceiling using the Tapping Screw(big)(CC). If the ceiling is made of concrete, drill a 6 mm hole in the ceiling with an impact drill, insert the Anchor(big)(DD) into the hole with a hammer, and then secure the Mounting Bracket(FF) to the junction box using the Tapping Screw(big)(CC) to secure the Mounting Bracket(FF).
  6. Connect the power cord and motor wire of the controller(PP) and the light source wire to the controller (PP) as shown in the diagram. Pull out the power cord from the ceiling junction box and connect the wires with wire caps(BB).
- The specific operation is as follows:
- Connect the black wire of the fan light to the black wire of the power supply.
  - Connect the white wire of the fan light to the white wire of the power supply.
  - Connect the green grounding wire (bare copper grounding wire) of the fan light to the grounding wire of the power supply, and then carefully place the wires in the junction box.
7. Insert Fan Downrod(LL) into the Mounting Bracket(FF), align the Canopy(MM) with the screws on the Mounting Bracket (FF), and tighten to secure.
  8. Install the E12 LED bulb(not included) into the lamp holder.
  9. Turn on the power switch on the fuse box or circuit box, and then you can use the fan and lighting.

## TRANSMITTER SPECIFICATION

Attach wall holder using the two tapping screws (GG) and anchor (FF)



1. Remove the battery cover.
2. Install two 1.5V AAA batteries (sold separately), fig 1.
3. Re-install the battery cover.

**NOTE:** After the battery is installed, press any key to make the transmitter work on, and the indicator light will be on.

If the indicator light is not on, please check whether the positive and negative electrodes of the battery are inverted, or the battery is loose and out of position.

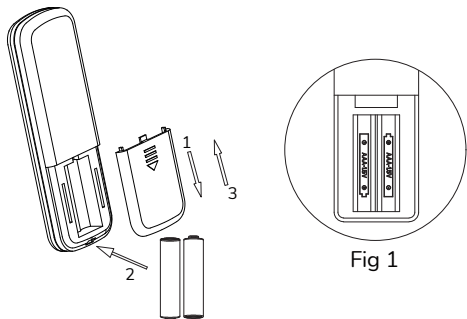
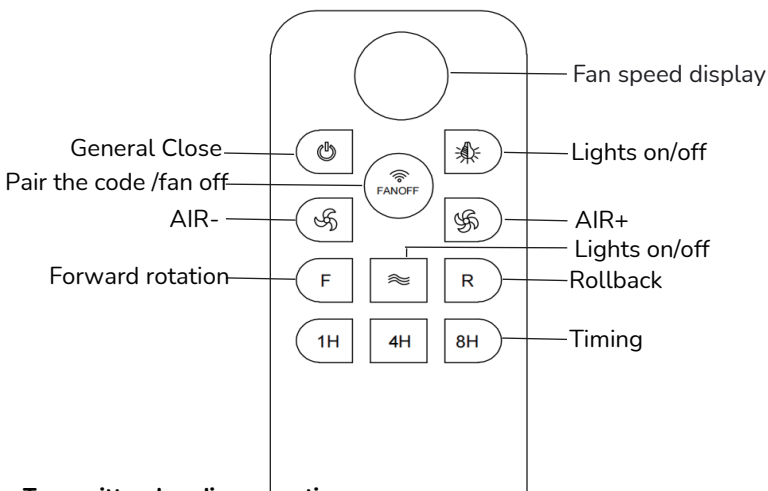


Fig 1



### Transmitter decoding operation:

If the transmitter you received does not work or a new transmitter needs to be decoding as follows.

Code matching: After powering on, within 5 seconds, press and hold the code matching fan to turn off, and the code matching is successful.

Kind reminder:

When the remote control cannot be effectively controlled: please check the battery. If it is not used for a long time, please remove the battery

## MAINTENANCE

1. The fan natural movements may cause some connections to work loose. A clicking or rattling noise is a certain sign of loosening screws. Check the support connections, brackets and blade attachment twice a year, and tighten all screws as necessary. Make sure all screws attaching the glass screws are tightened.
2. Clean your fan periodically. Use only a cloth dampened with a mild detergent solution. Never use solvents. Dust with a soft cloth or brush. Metal finishes are finished with a lacquer to prevent tarnishing.
3. You will never need to oil your fan. Its permanently sealed bearing will prevent silent, trouble free operation for many years.
4. Make sure the power is turned off at the main fuse or circuit panel before you attempt any repairs.

## One Year Limited Warranty

Supported by our professional R&D team and QC team, we provide One Year Warranty for materials and workmanship from the purchase date. Please note that the warranty does not cover damage caused by personal misuse or improper installation. Please attach your Order ID and Name so that our dedicated customer service team can help you better.