



# Installation Guide

WALL MOUNT UTILITY SINK



## Tools and Materials



### Required Tools:



Tape Measure



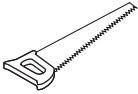
Drill



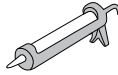
Plumbers Putty



Putty Knife



Hack Saw



Silicone Adhesive



Screwdriver

### Auxiliary Tools:

- (1) Pipe Wrench (2) Channel Lock  
(3) Tubing Cutter (4) Basin Wrench  
(5) Saber saw (6) Adjustable Wrench

### Parts List:

- (1) Wall Mount Utility Sink x 1  
(2) Mounting Bracket x 2  
(3) Mounting Bolt Kit (4) Basket Strainer x 1

#### NOTE

Additional tools might also be used to complete the installation.

#### Sold Separately

- Wall-mount Faucet x 1
- Sewage Trap x 1

## Prior to Installation



**Read the following instructions thoroughly before installation of the sink:**

### For compliance

- Observe all local plumbing and building codes.

### For preparation

- Unpack new sink and inspect it for damage. Afterward, return the sink to its protective carton until the installation begins.
- Shut off hot and cold water supplies. Inspect drain and supply tubing. Replace if necessary.
- Ensure at least two people are available to assist during the installation to maintain safe handling.

### For top-mount installation

- It's recommended to have an experienced cabinet maker build the new cabinet or modify an existing cabinet to ensure a successful installation.

**Additional statement**

- The cabinet and frame shown in the illustrations are generic and intended as suggestions only. All illustrations in the following instructions assume installation with a standard countertop. Other countertop sizes may also be used.
- Use proper securing hardware and techniques to ensure the support frame will bear a minimum of 300 lbs (136kg).

**Installation Procedures** ...

**Wall Mount Installation**

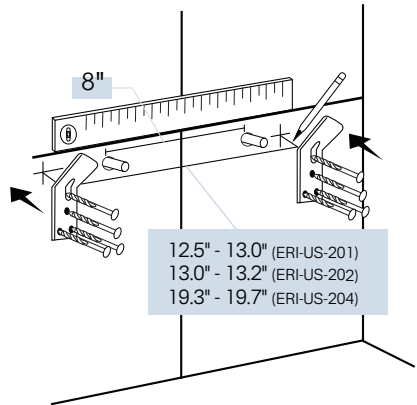
**Important:** This sink is heavy. When installing on drywall, make sure proper wall reinforcement—such as a support board or framing—is installed behind the wall to securely support the sink's weight.

**Step I. Install Mounting Brackets**

- Make sure the water supply is 8" apart for a two-hole faucet installation.
- Mark intended locations of brackets and check it for levelness.

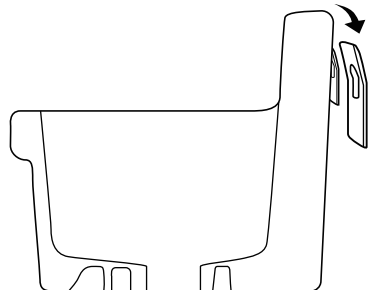
Model#	ERI-US-201	ERI-US-202	ERI-US-204
Spacing	12.5" - 13.0"	13.0" - 13.2"	19.3" - 19.7"

- Hold the brackets level and mark the locations for the screw holes on the wall. Install the mounting brackets to the wall and check again for levelness before fully tightening all screws into position.



**Step II. Install Sink**

- Carefully lower the sink onto the bracket using the slot on the back of the item and check levelness. Make adjustments if necessary.



**⚠ CAUTION**

- ✗ Severe injury or product damage risk if work alone.
- ✓ Mandatory team work to prevent accidents.

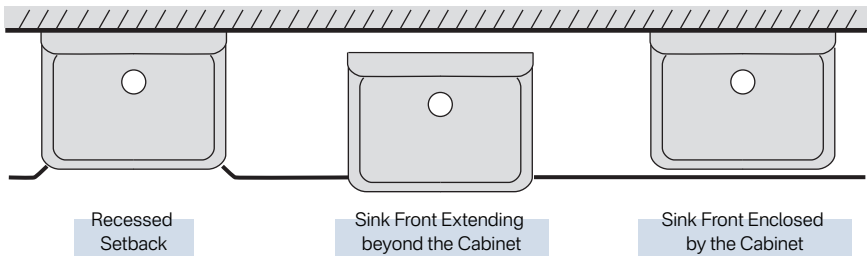
b. Install faucet and drain assembly according to the manufacturer's instructions.

**Reminder** Do not overtighten fittings as it might damage the chinaware.

c. Run water to test for leakage.

## Top Mount Installation

- Before proceeding, determine your cabinet design:



## Step I. Construct Cabinet and Support Frame

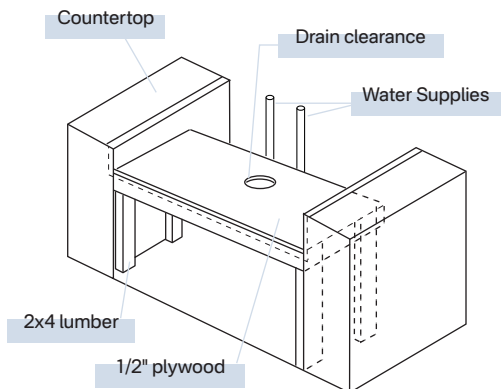
a. Measure the actual size of sink below the rim flange.

**NOTE** The cabinet opening should match the sink dimensions to maintain a minimal gap between the sink and the cabinet; if the sink is not available during cabinet construction, reserve space for wooden filler strips later.

b. Carefully measure and sketch the cut-out area according to the measurements taken from the actual sink. Cut the countertop and cabinet along the traced lines.

c. Construct a wood support frame inside the cabinet opening using 2x4 lumber and a 1/2" plywood, as shown in the illustration. Locate and cut the drain outlet clearance hole on the plywood.

**NOTE** Make sure the distance between the top of plywood and the top of countertop is identical to the distance between the bottom of the sink and the bottom of the sink rim.



## Step II. Install Sink

- Temporarily set the sink on the cabinet opening, ensuring it aligns properly and has sufficient clearance. Trace its outer edge as a guide for application of sealant, then remove the sink.
- Apply masking tape  $\frac{1}{8}$ " beyond the traced outline, and generously apply silicone sealant within the marked area (inside the traced lines of a) on the countertop.
- Carefully lower the sink into place, aligning it with the countertop guidelines, and press down firmly.
- Apply additional sealant if necessary to provide a uniform bead from the sink rim to the masking tape. Remove any excess sealant before peeling off the tape.
- Install water supply and drainage system according to the manufacturer's instructions.

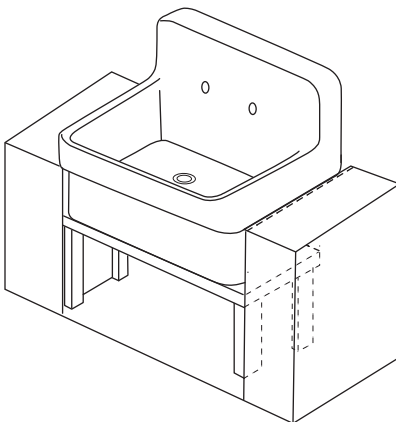
**Reminder** Do not overtighten fittings as it might damage the chinaware.

- Run water to test for leakage.

**Do**



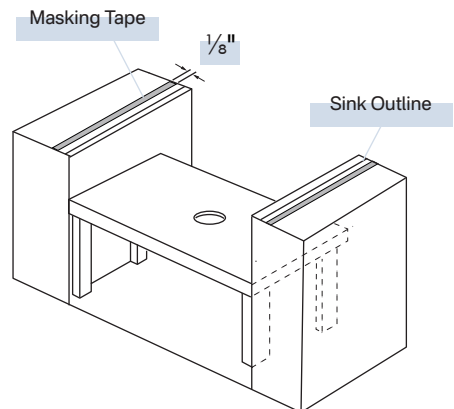
✓ Mandatory team work to prevent accidents.



**Don't**



✗ Severe injury or product damage risk if work alone.



Eridanus utility sinks are meticulously handcrafted with fine fireclay or ceramic and have undergone strict quality inspections. With proper care and cleaning measures, Eridanus sinks will keep in new condition and function well for an extended period of time.

### General Cleaning

- To keep your Eridanus sink looking its best, clean it regularly to prevent soap scum and mineral buildup.
- When cleaning, use a non-abrasive cleaner and a soft cloth to rinse the sink thoroughly and wipe it dry to eliminate water spots, as allowing water or cleaners to evaporate will have a negative effect on the appearance of the sink.

#### Do's



- ✓ Rinse laundry detergent thoroughly and make sure there's no residue.
- ✓ Wipe the sink dry using a soft cloth after each use.
- ✓ Scrape off any heavy grime with a plastic spatula.
- ✓ Use baking soda or mild detergent to clean off heavy stains.
- ✓ Test the cleaning solution on an inconspicuous area before applying it to the entire surface.
- ✓ Use a strainer to catch lint and small items like buttons to prevent clogging.



Strainer



Mild  
Detergent



Plastic  
Scraper

#### Don'ts



- ✗ Avoid storing open containers of household cleaners and chemicals containing chlorides such as bleach, acid, drain cleaners, or toilet bowl cleaner beneath the sink.
- ✗ Avoid using harsh, abrasive cleaners or chemicals as they will potentially scratch the surface.
- ✗ Avoid direct contact with sharp and metallic objects by using protective plastic bowls, rinse baskets, and sink grids with non-abrasive bases.
- ✗ Never use steel wool, cleaning pads, or any other form of abrasive cleaning materials to clean the sink as this may dull and damage the surface of the sink.
- ✗ Do not set hot pans or other hot items directly into the sink until they cool down.
- ✗ Do not leave any form of standing water in the sink, especially if the water contains anything that could stain the sink.

# Installation Guide