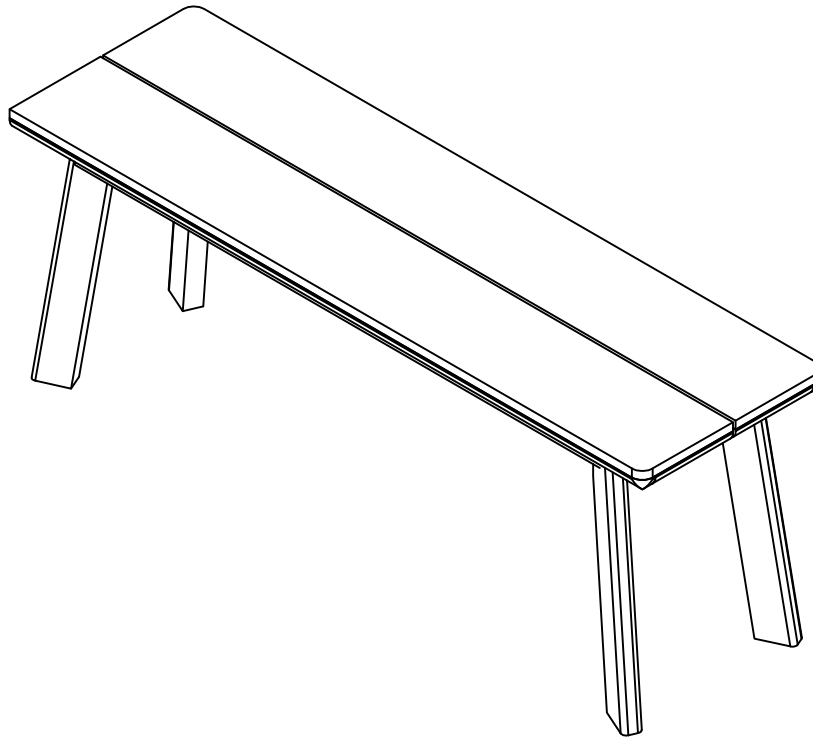


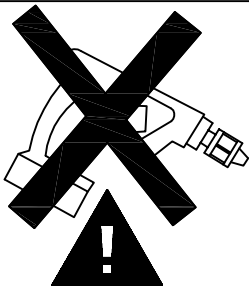
# Furniture

## Dining Bench



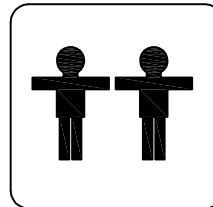
### REPLACEMENT PARTS

Please do not contact the company purchased from as we can help you faster.  
Order replacement parts and hardware

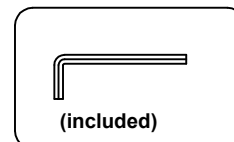


. Use of power tool to assemble this product will invalidate any claim and damage this product making it unsafe !!!

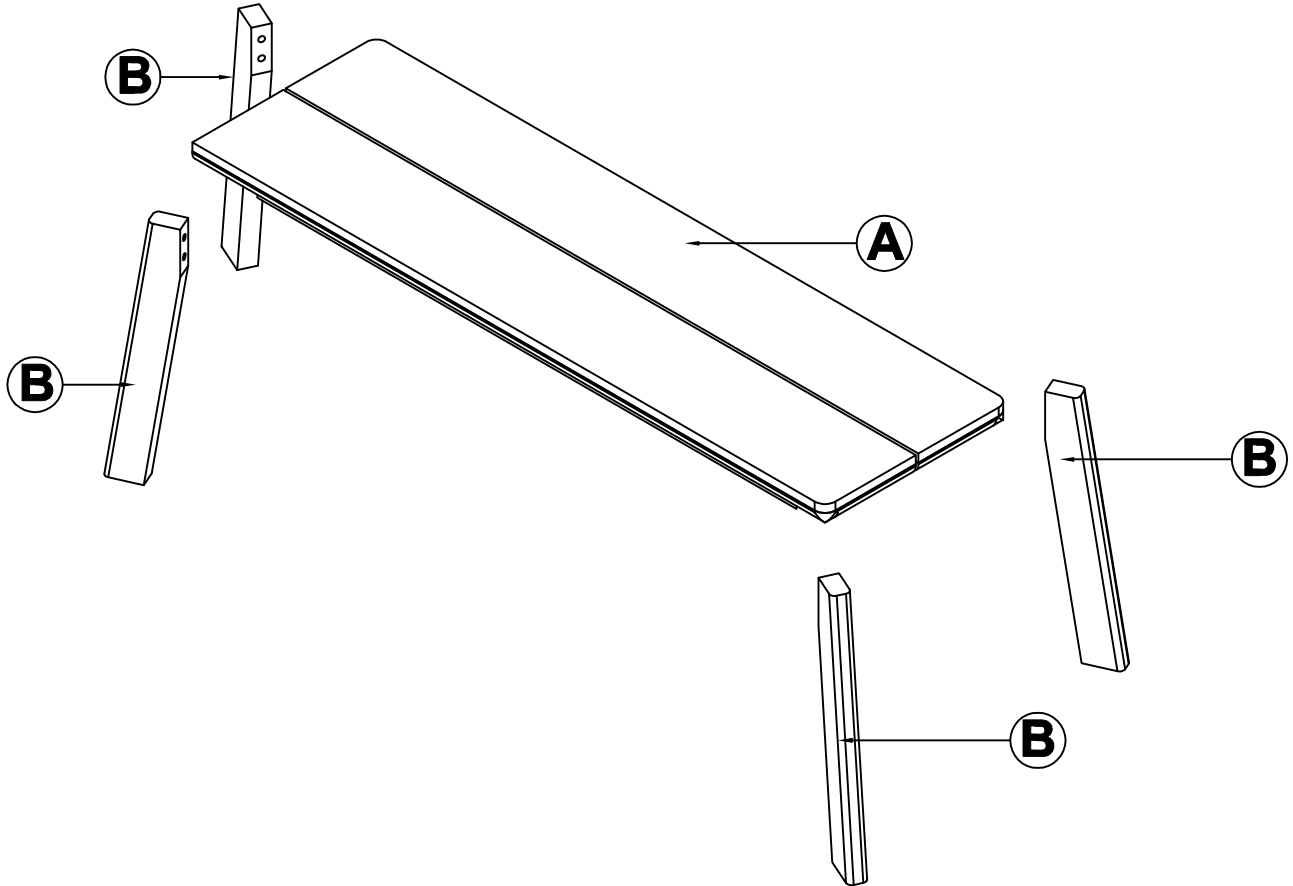
. Please assemble on a clean soft surface to avoid damage.



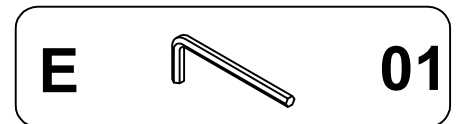
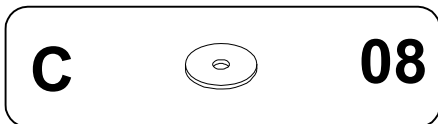
### Tools Required






# Part list - Dining Bench



Identifying the hardware-Identify the hardware using the illustrations below



# Step 01

C		08
D	 M6*45mm	08
E		01

