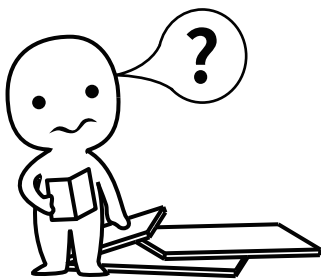


# **INSTALLATION**

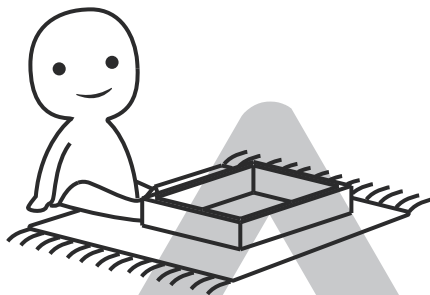
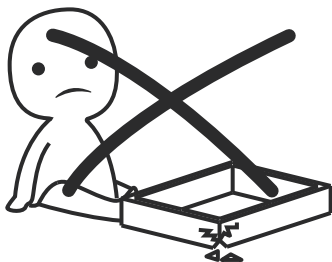
## *Product Manual*

Version: 210178-01-24A-LJ



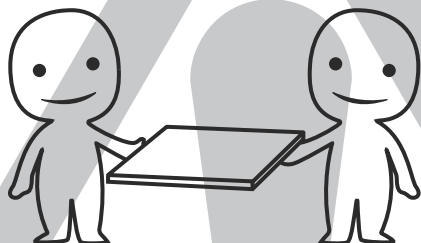
### **IMPORTANT INFORMATION!**

please read the entire manual before starting to assemble and/or using this product. follow the manual thoroughly and keep it for further reference.



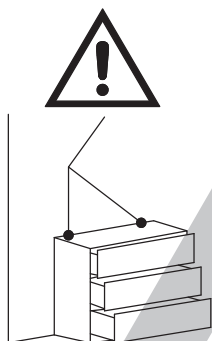
### **AVOID SCRATCHES!**

In order to avoid scratching this furniture should be assembled on a soft layer- could be a rug.



### **IMPROVE EFFICIENCY !**

Try to find a partner to install with you, which can speed up the installation efficiency and shorten the time.



### **ANTI-TOPPLE WARNING !**

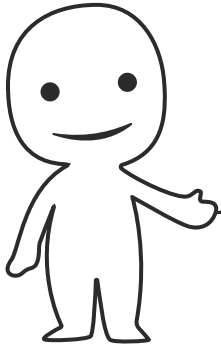
Overturnd furniture can cause serious or fatal crush injuries. To prevent tipping over, be sure to use the wall attachment, if not included with this product. Please purchase the wall attachment that fit your wall. If unsure, seek professional advice. Please read and follow each step of the instructions carefully.

### **IMPORTANT !**

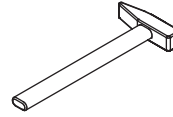
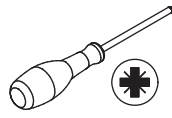
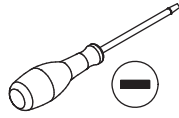
It is important that any product which is assembled using any kind of screw is re-tightened 2 weeks after assembly, and once every 3 months - in order to assure stability through-out the lifespan of the product.

For regular maintenance and cleaning of the product, for the frame, please use a rag dipped in neutral detergent to fully wipe it, and then dry it with a clean rag. For glass materials, wipe with a rag dampened with water glass cleaner, and then dry with a dry rag.

Do not use an electric screwdriver, and do not use too much force when installing, because the board is easy to break.



Please prepare the following tools




When installing, please carefully confirm whether each screw corresponds to the manual, accessories with similar shapes can be distinguished by size

A x 46




CRA0635A

B x 46




CRB1595A

C x 24



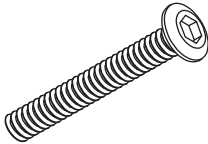
CRF0630A

D x 8



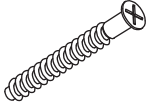
CRG0612A

E x 4




CRG0640A

F x 10




CRC0540A

G x 16



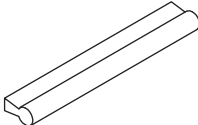
CRD3512A

H x 6




CRE0418A


I x 3



J x 2




K x 6




Ø 30 x 3 mm

L x 4



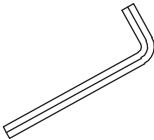
Ø 15 x 1 mm

M x 12

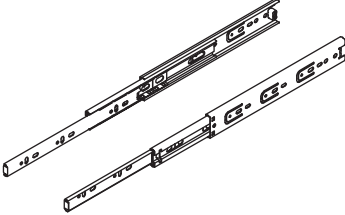


CRD0414A

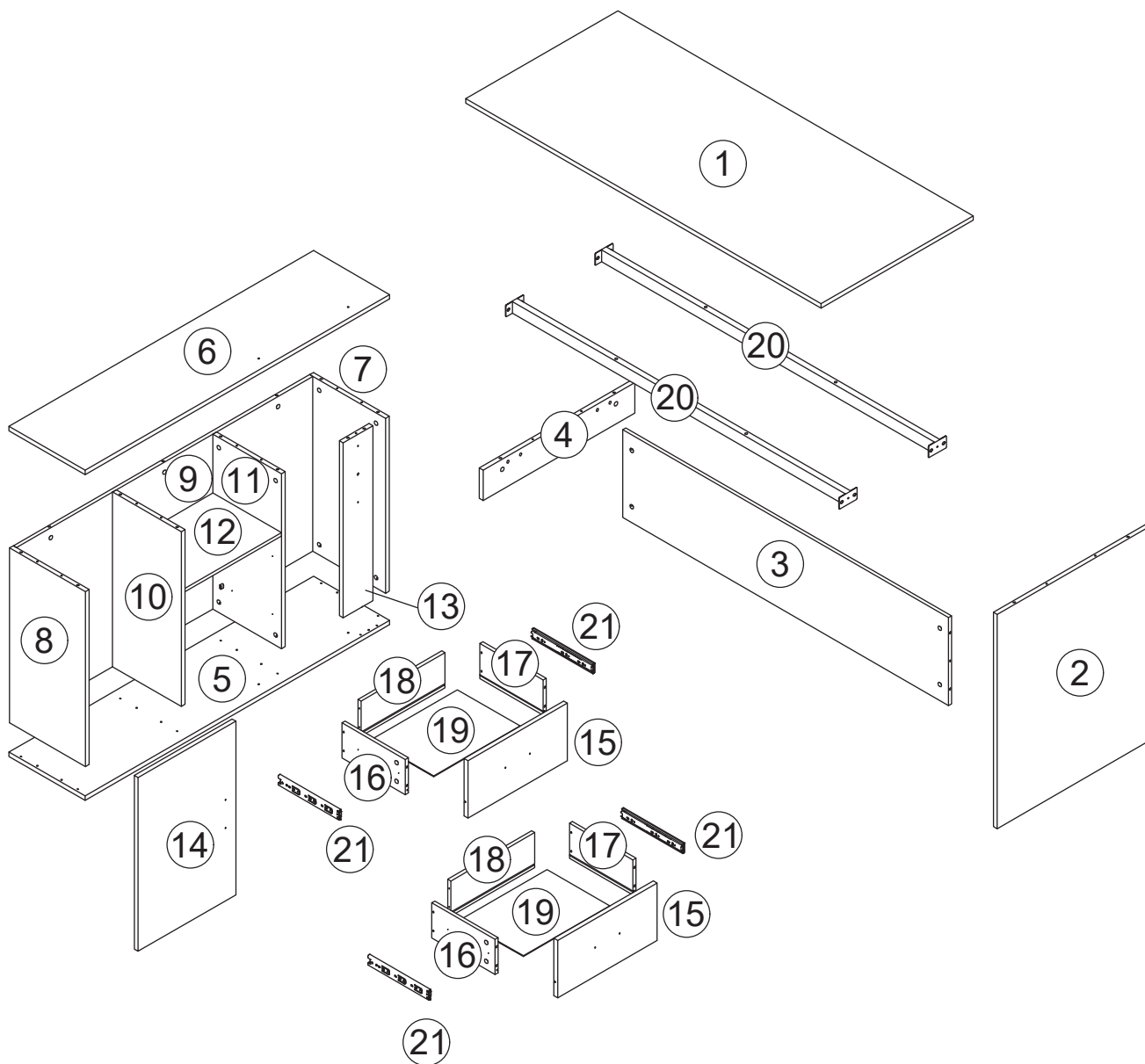
4#



21



10"(3508W) 2 SETS



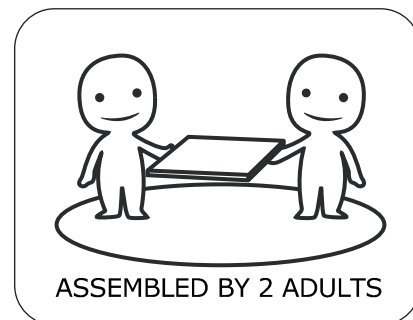
## ⚠ WARNING



**Children have died from furniture tipover. To reduce the risk of furniture tipover:**

- ALWAYS install tipover restraint provided.
- NEVER put a TV on this product.
- NEVER allow children to stand, climb or hang on drawers, doors, or shelves.
- NEVER open more than one drawer at a time.
- Place heaviest items in the lowest drawers.

*This is a permanent label.  
Do not remove!*

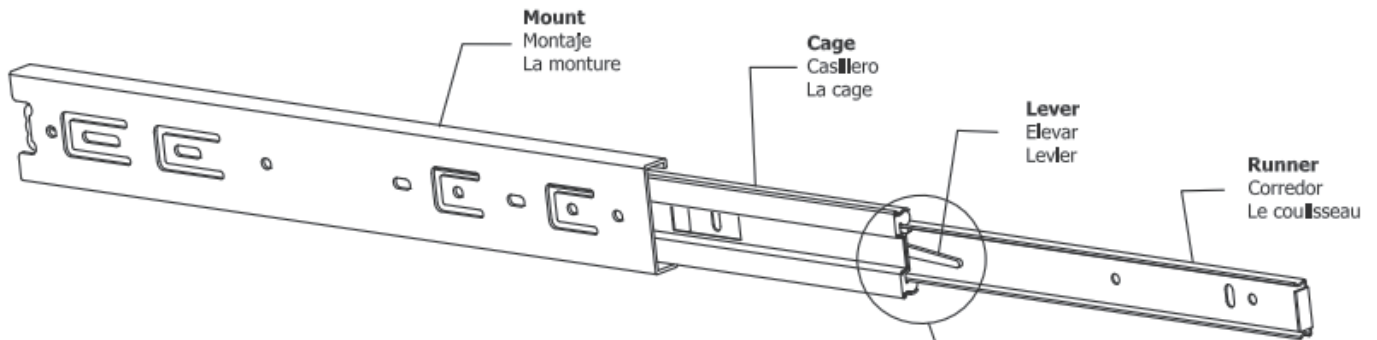


ASSEMBLED BY 2 ADULTS

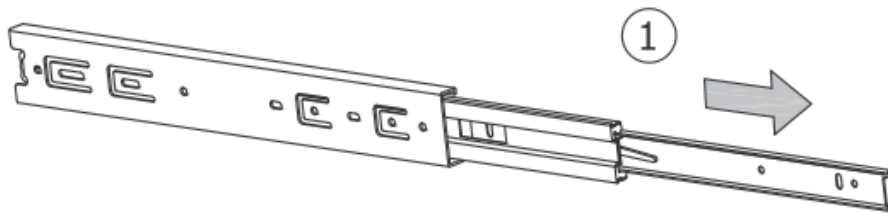
**Slides Must Be Separated Before Assembly.  
After Separated, Set Aside Until Needed for Assembly.**

Las diapositivas deben separarse antes del montaje.  
Después de la separación, déjelo a un lado hasta que sea necesario.

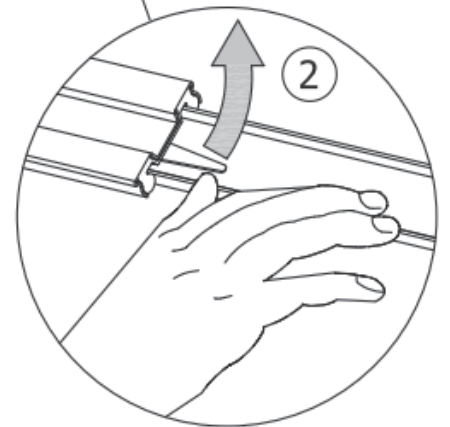
Les glissières doivent être séparées avant l'assemblage.  
Après la séparation, mettez de côté jusqu'au moment de l'assemblage.



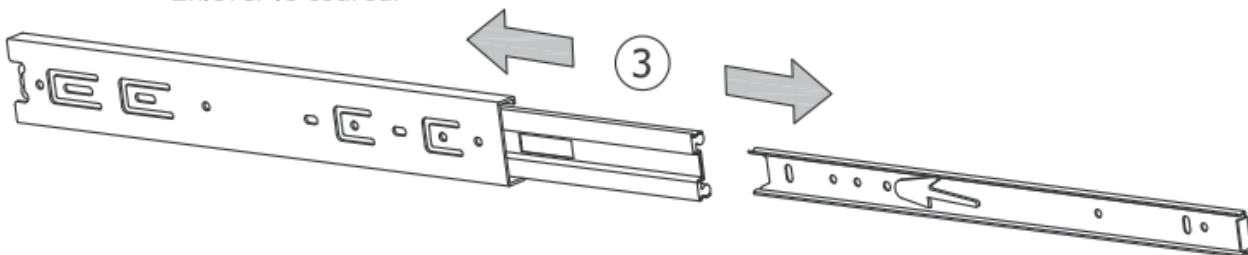
**STEP 1: Extend Slide**  
Extender la diapositiva  
Extendre la diapositive



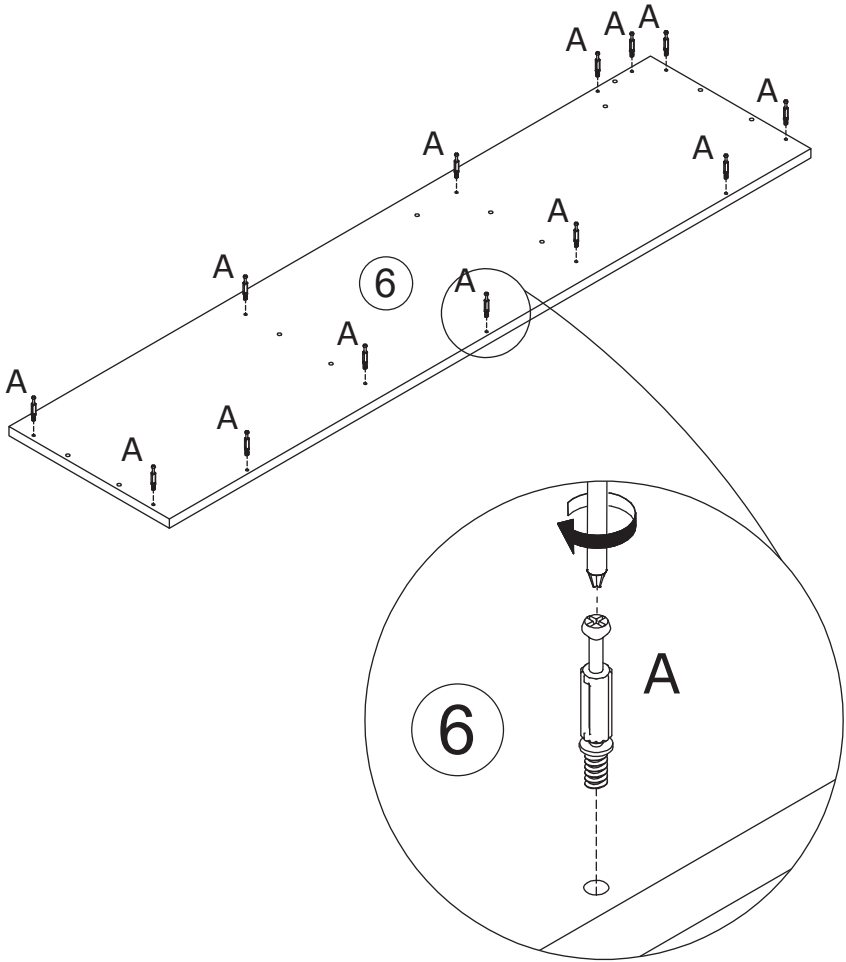
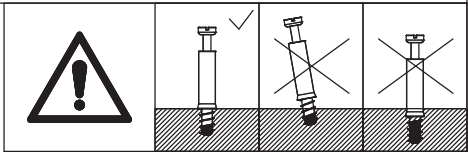
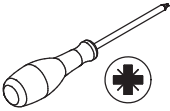
**STEP 2: Push Lever UP**  
Empujar hacia arriba  
Lever le levier



**STEP 3: Remove Runner**  
Quitar el corredor  
Enlever le coureur

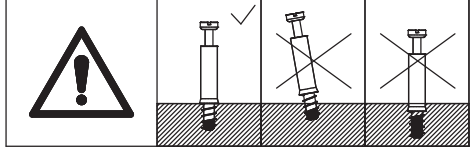
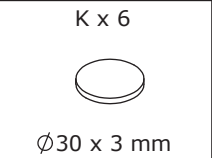


1

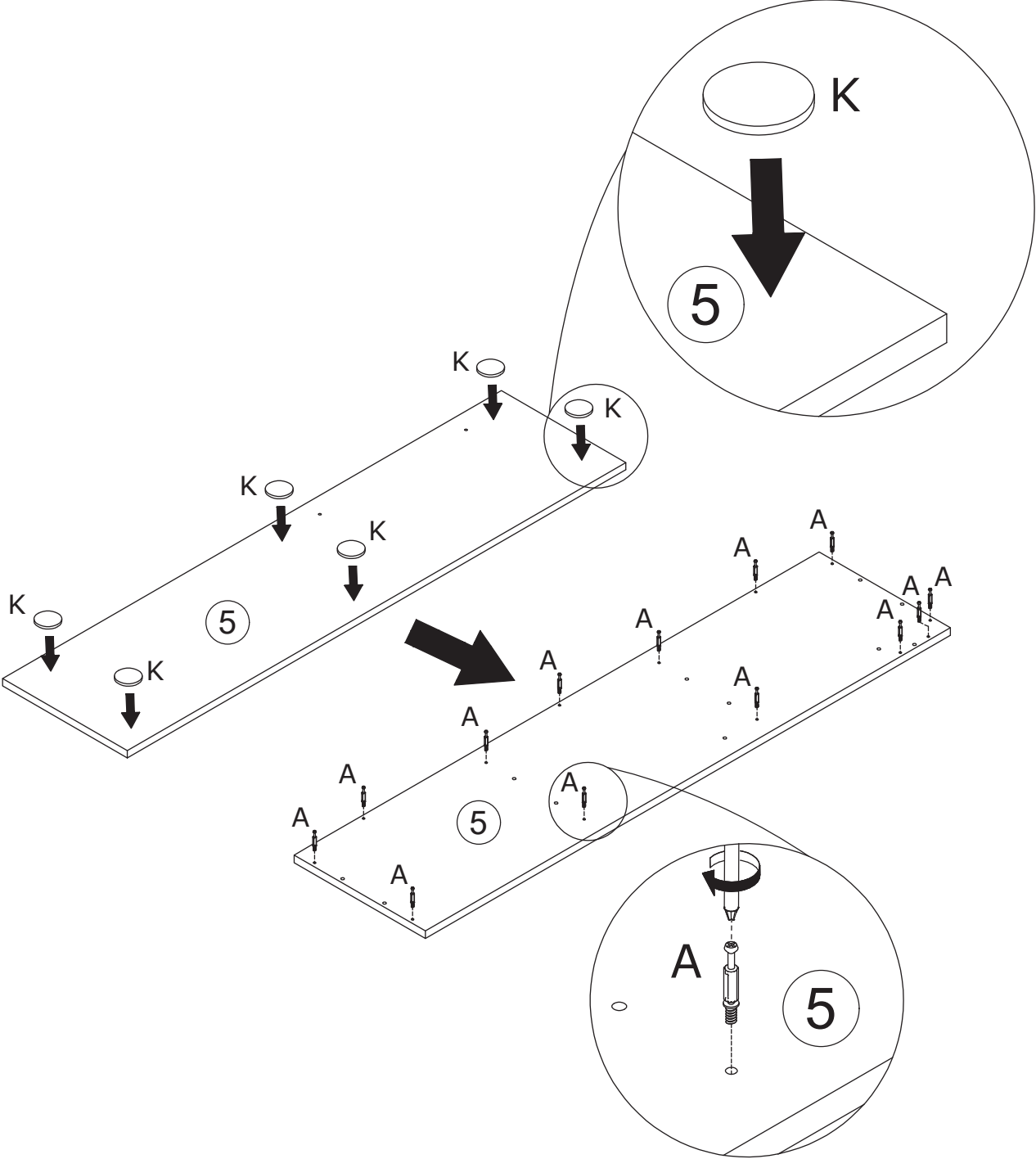


Insert quickfit screw(A) into corresponding holes in No.6 plate with a screwdriver as shown.

2

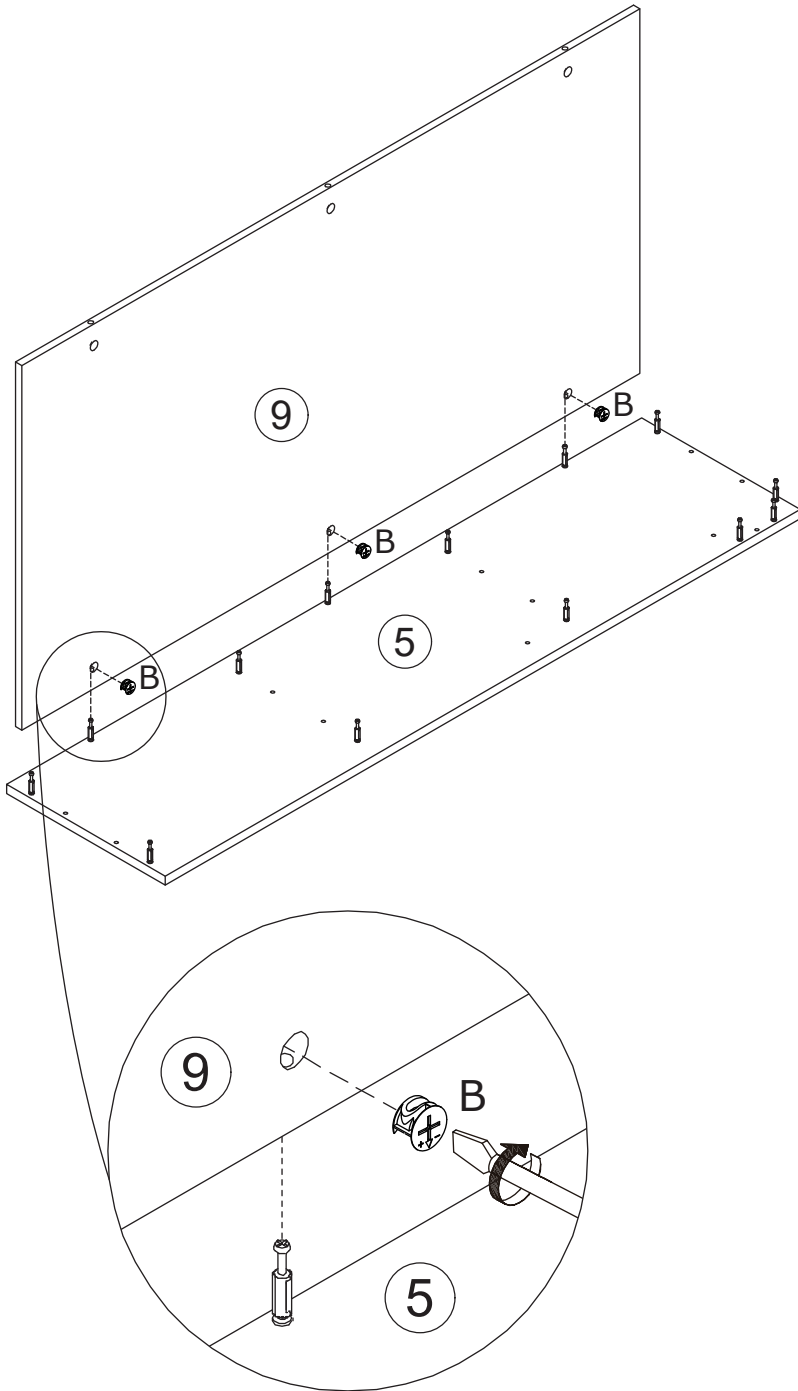
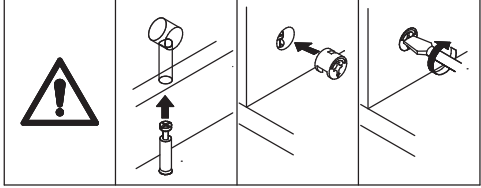
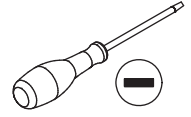


Stick foot peg(K) to No.5 plate as shown.  
Flip the plate, insert quickfit screw(A) into  
corresponding holes with a screwdriver as shown.



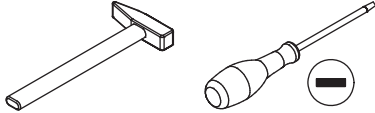
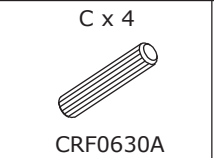
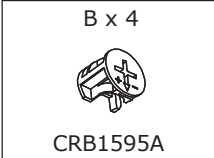
3

B x 3  
CRB1595A

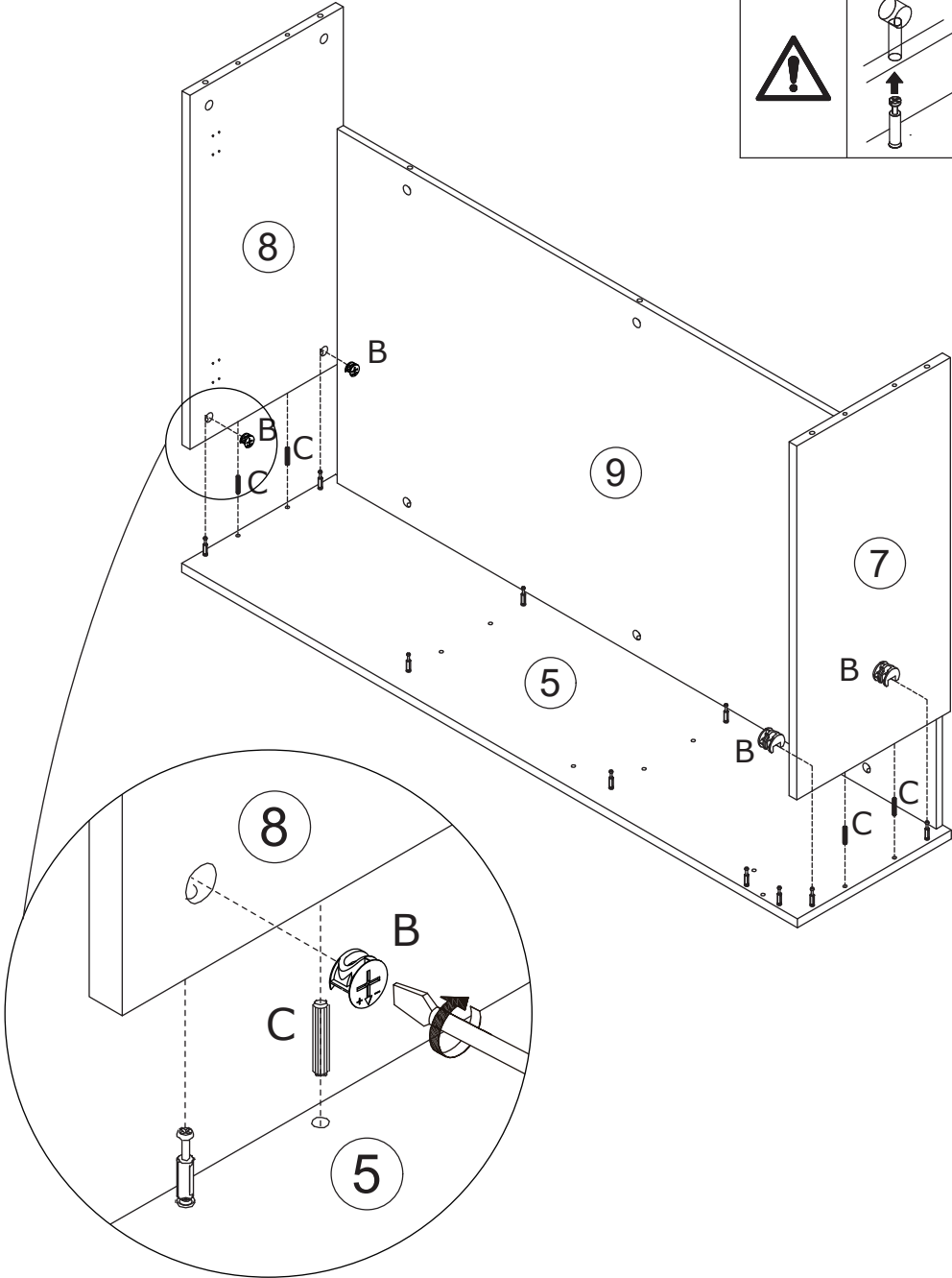
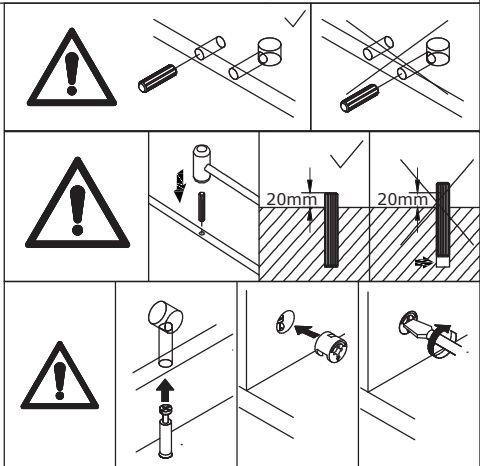


Attach No.9 plate to No.5, and turn cam lock(B) in No.9 plate clockwise to tighten as shown.

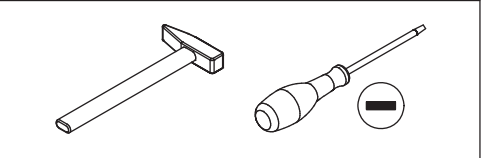
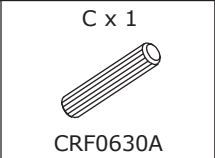
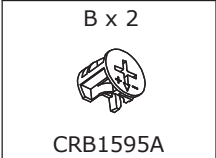
4



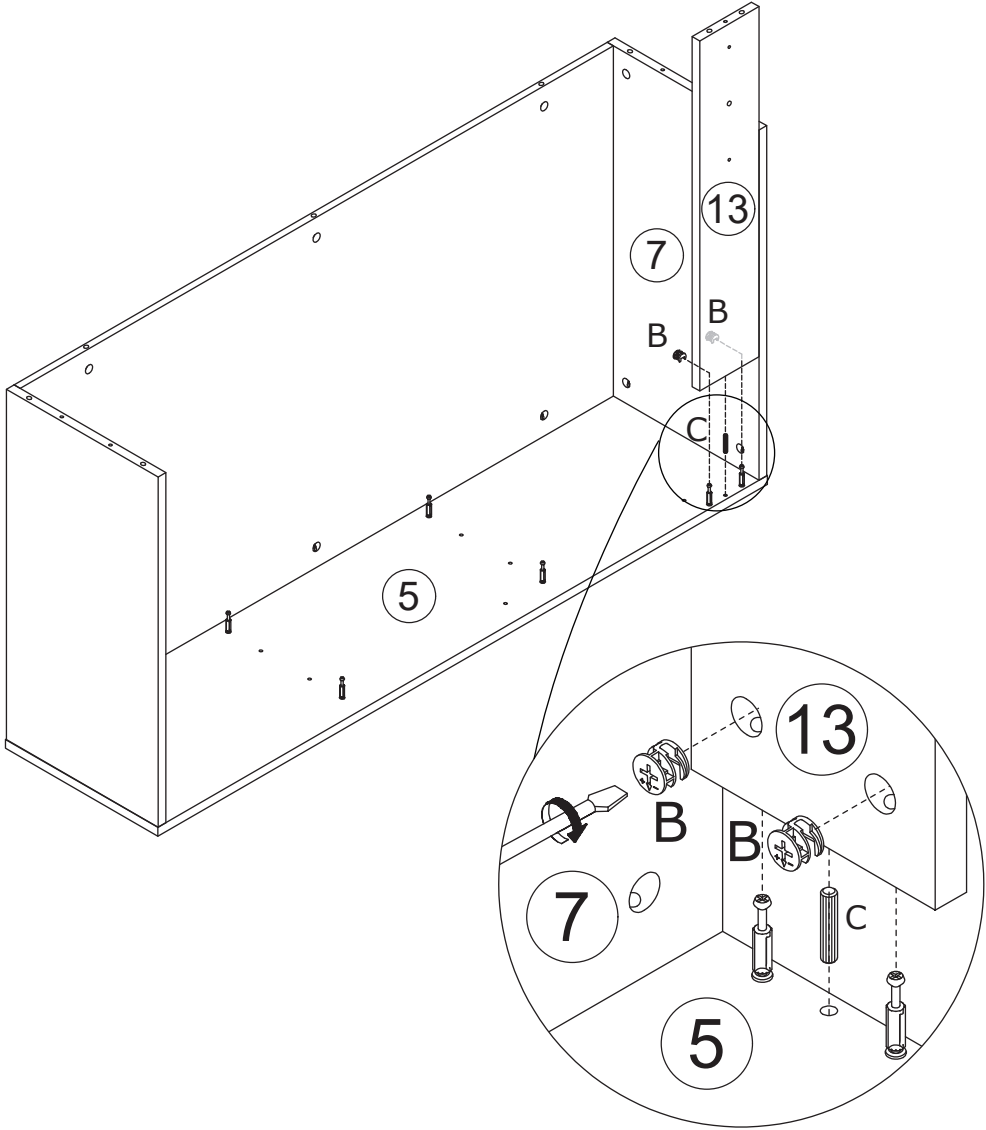
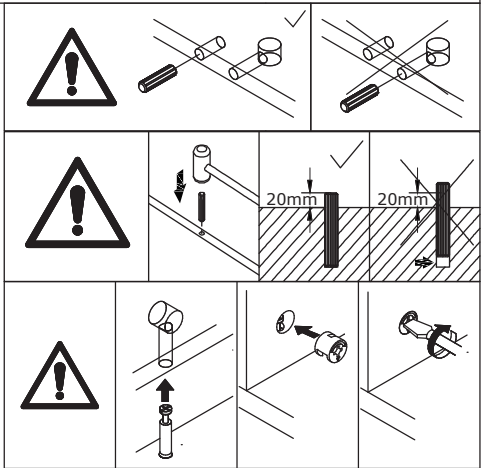
Attach No.7 and No.8 plate to No.5 using wooden dowel(C), and turn cam lock(B) in No.7,8 plates clockwise to tighten as shown.



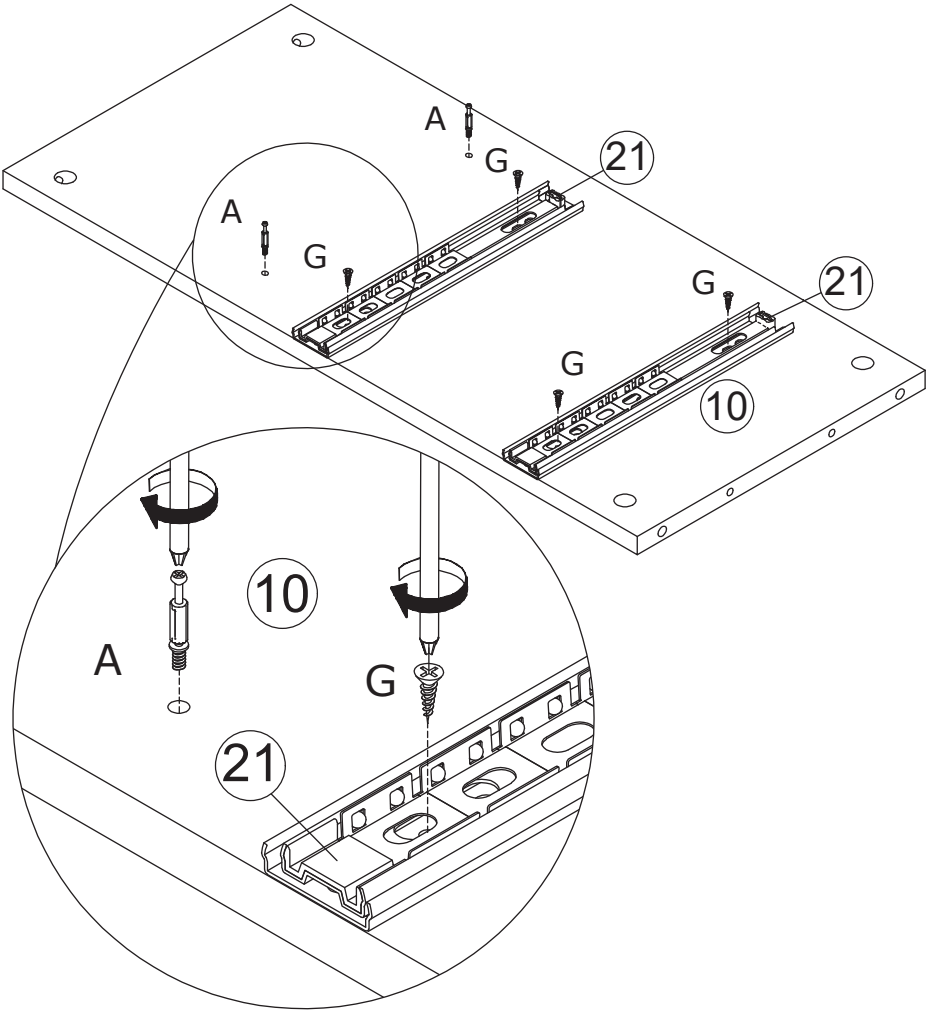
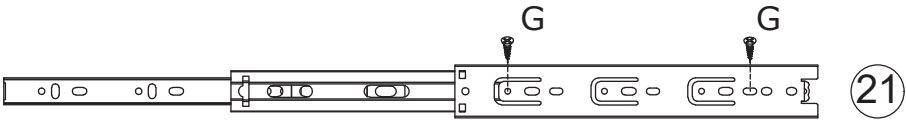
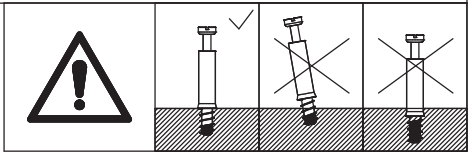
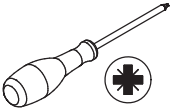
5



Attach No.13 plate to No.5 using wooden dowel(C), and turn cam lock(B) in No.13 plate clockwise to tighten as shown.

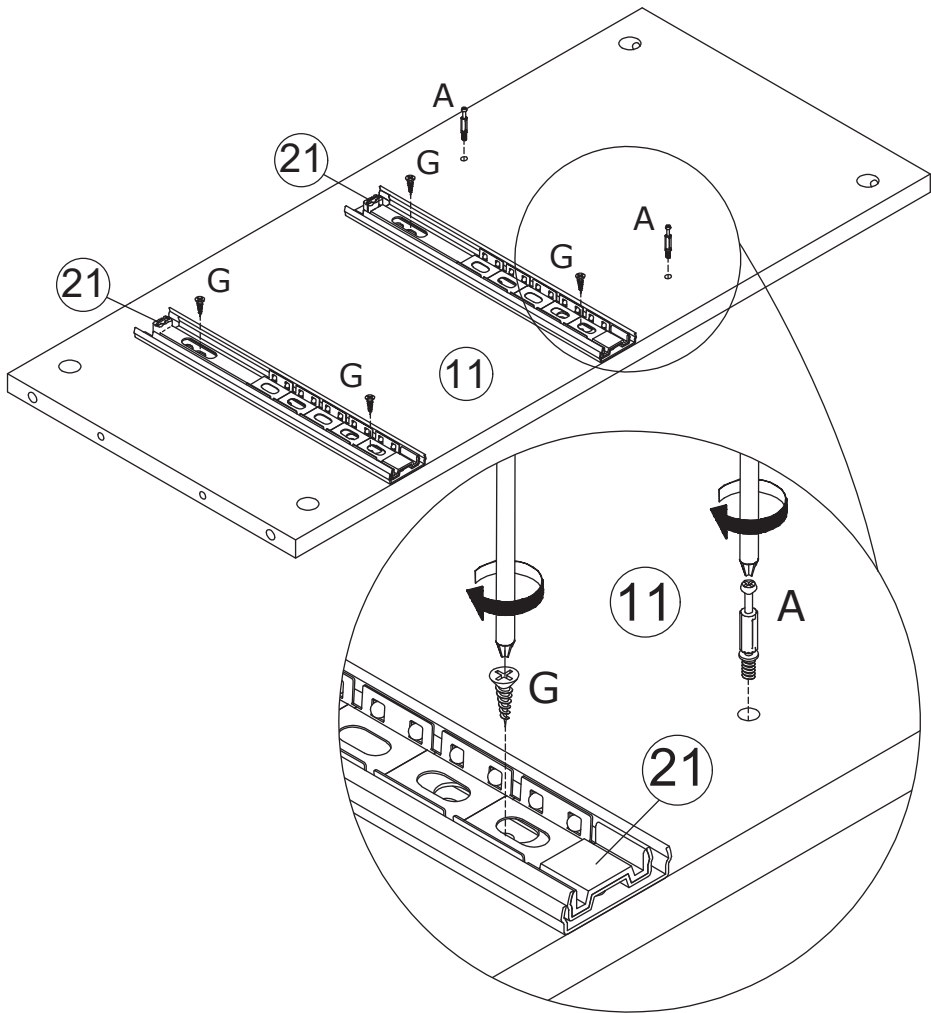
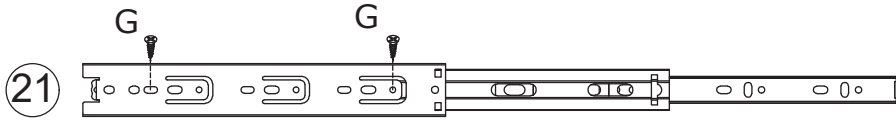
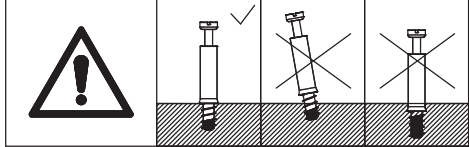


6



Separate glide into two parts at first.  
Fix No.21 slide rail to No.10 plate using screw(G) as shown.  
Insert quickfit screw(A) into corresponding holes with a screwdriver as shown.

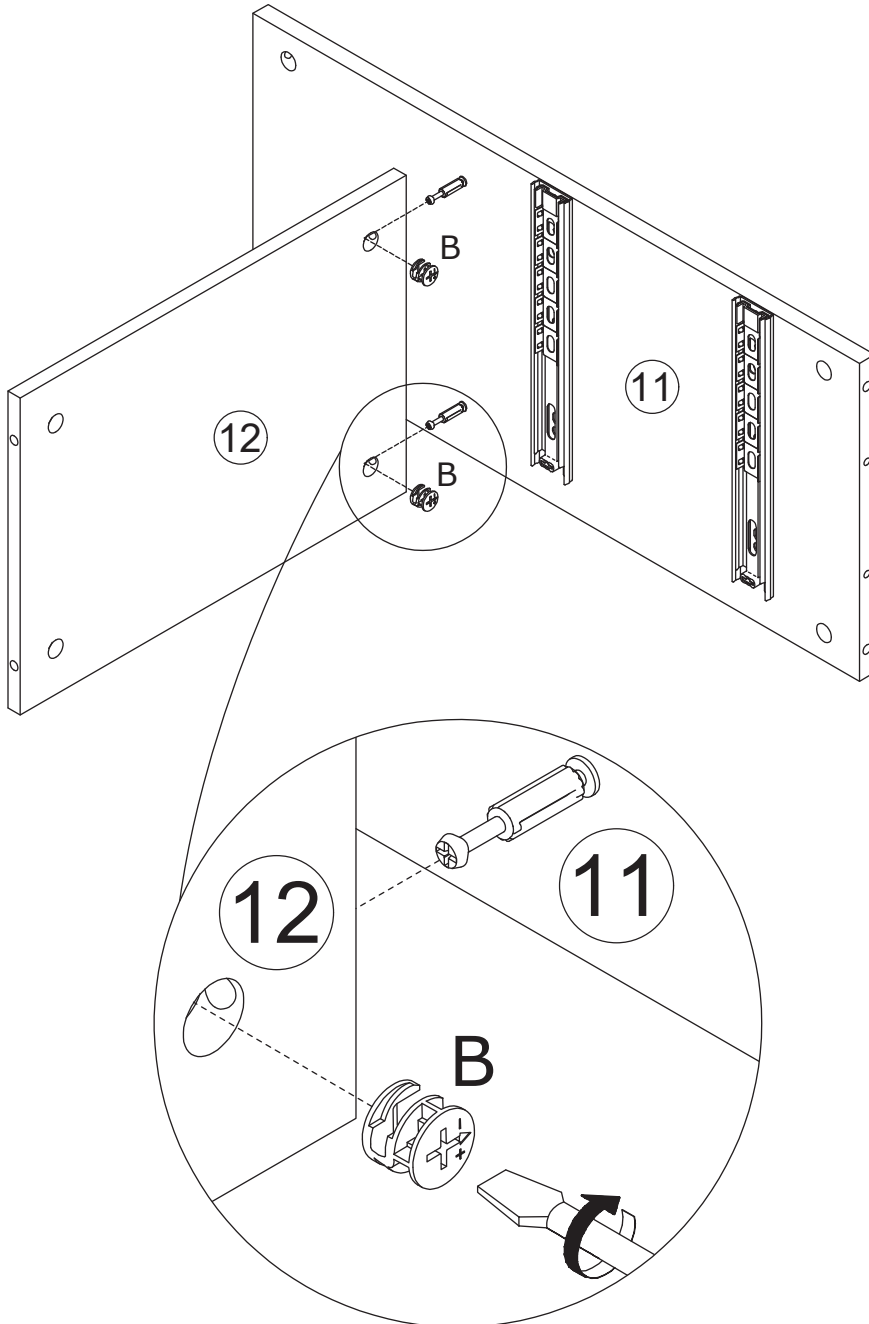
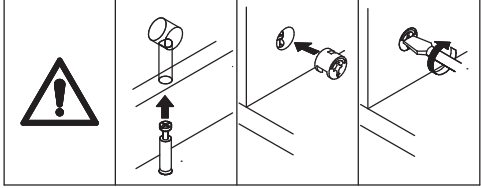
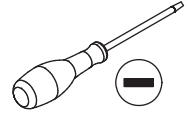
7



Fix No.21 slide rail to No.11 plate using screw(G) as shown.  
Insert quickfit screw(A) into corresponding holes with a screwdriver as shown.

8

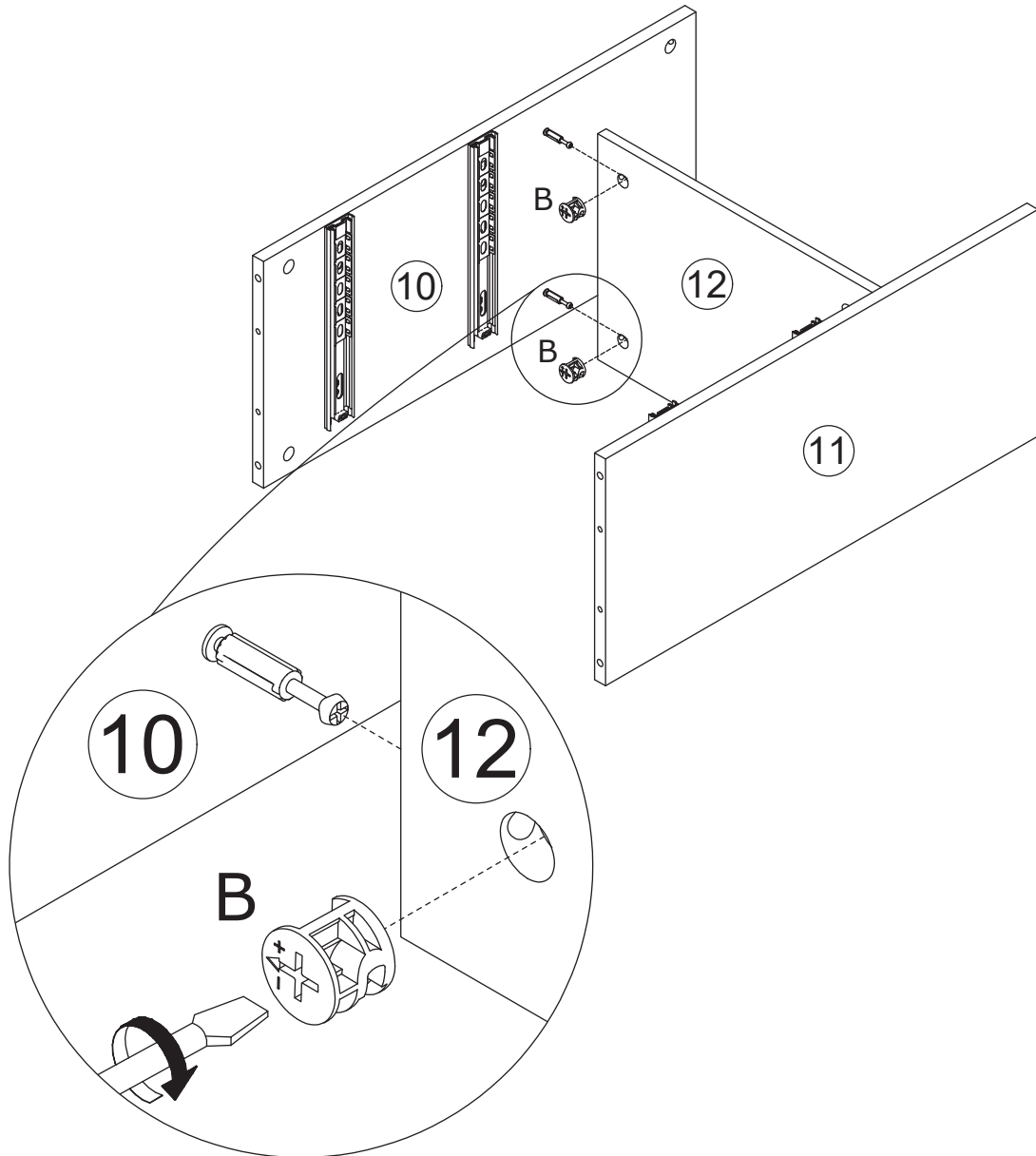
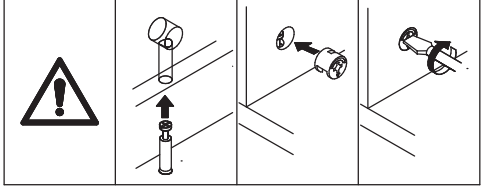
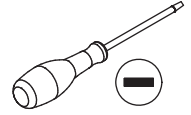
B x 2  
CRB1595A



Attach No.12 plate to No.11, and turn cam lock(B) in No.12 plate clockwise to tighten as shown.

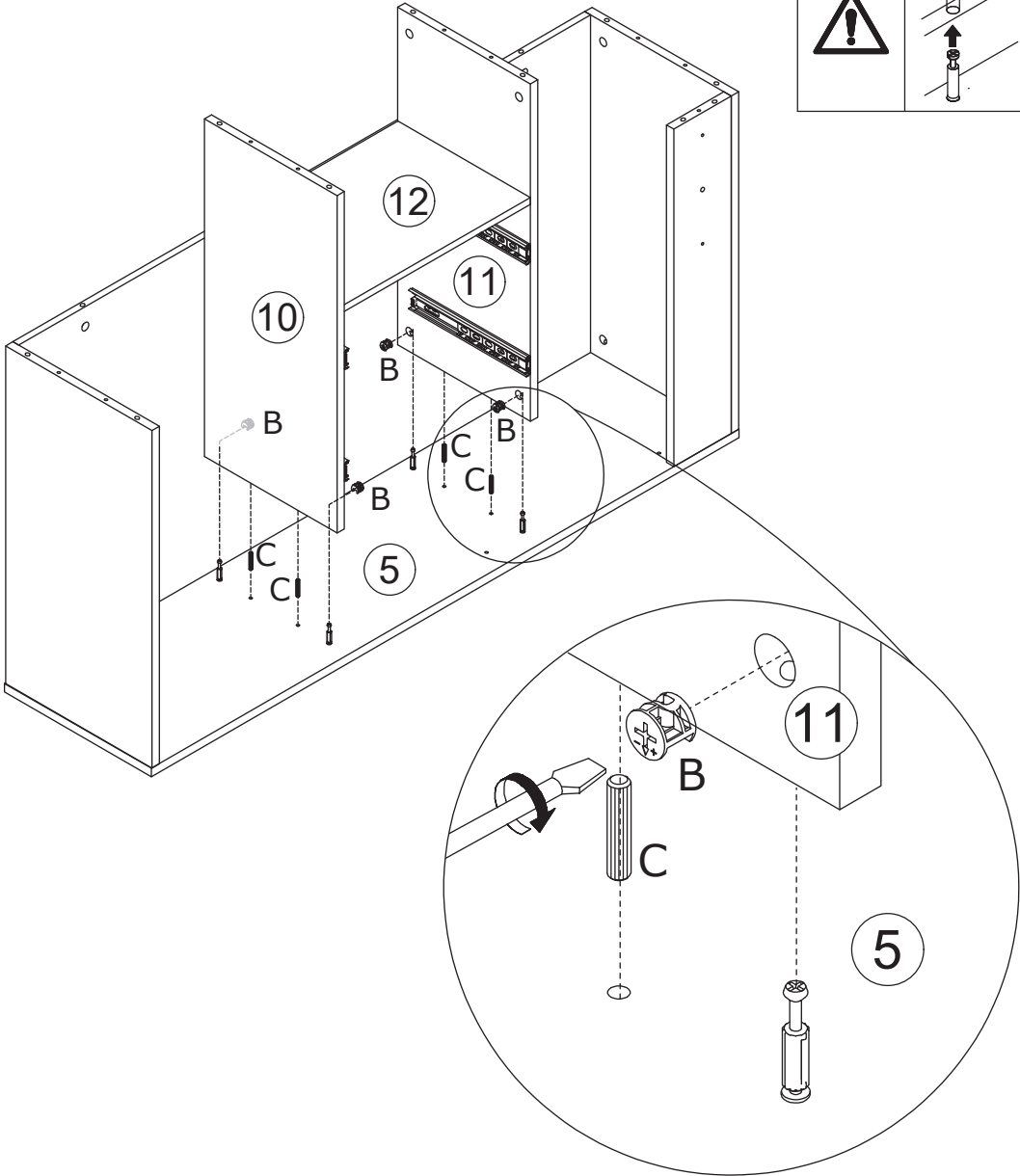
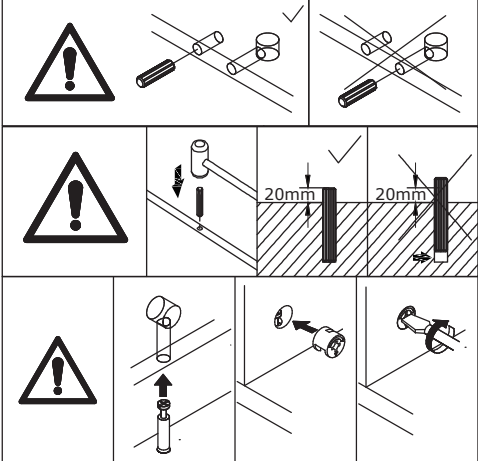
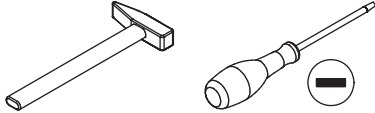
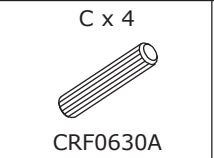
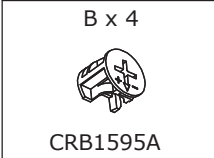
9

B x 2  
CRB1595A



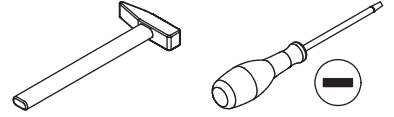
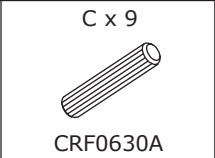
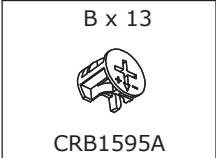
Attach No.10 plate to No.12, and turn cam lock(B) in No.12 plate clockwise to tighten as shown.

10

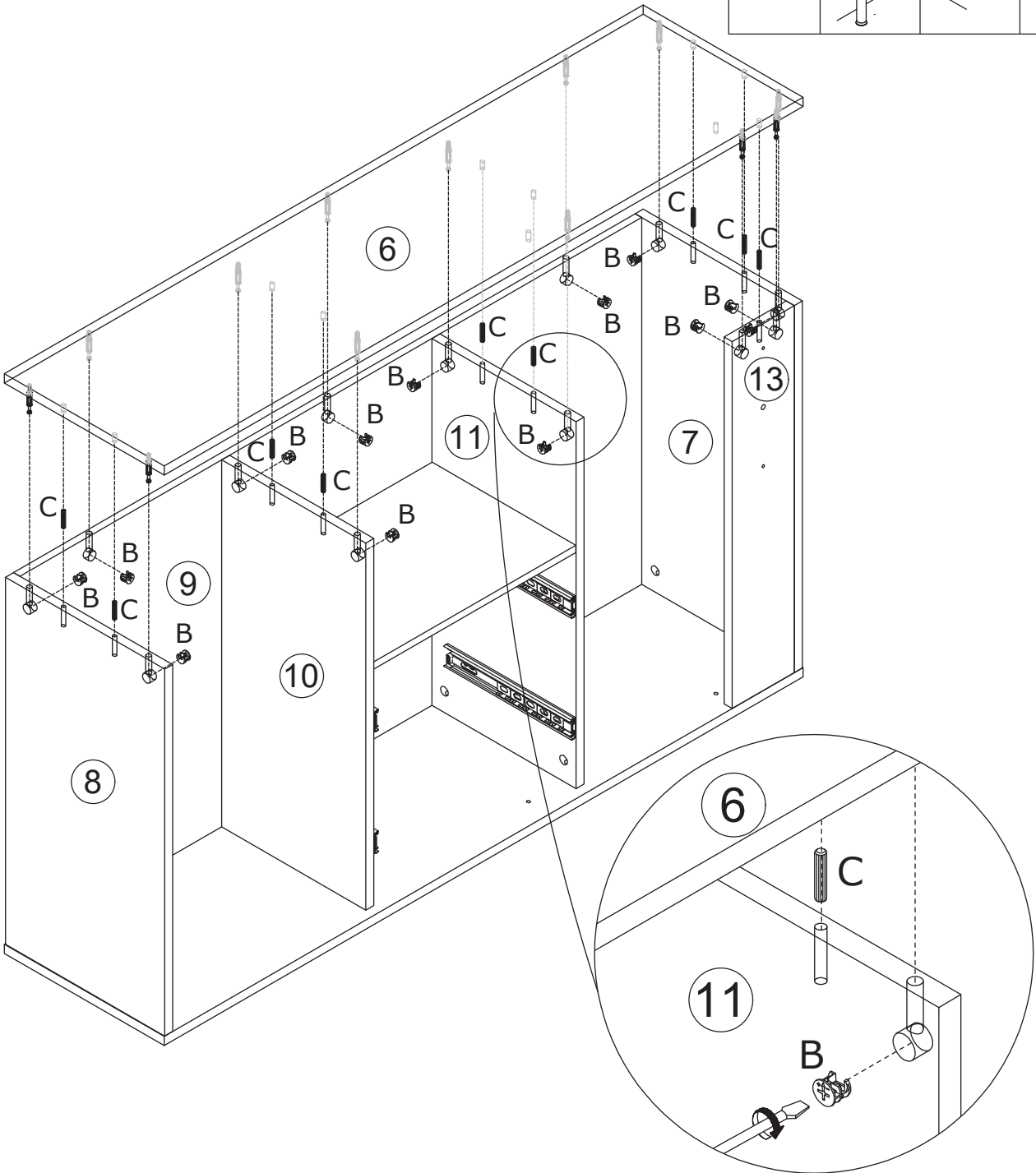
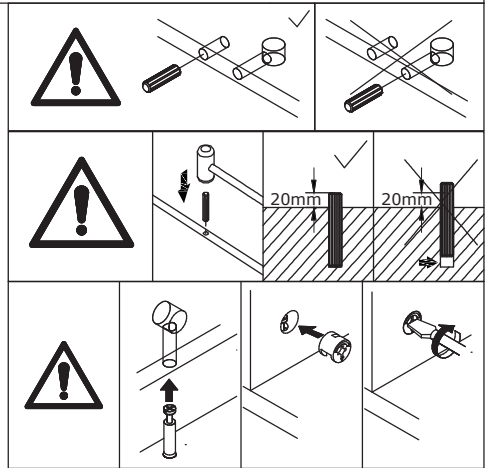


Connect the assembled component to No.5 plate using wooden dowel(C), and turn cam lock(B) in No.10,11 plates clockwise to tighten as shown.


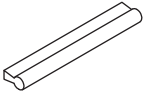


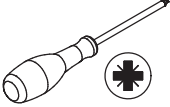
11



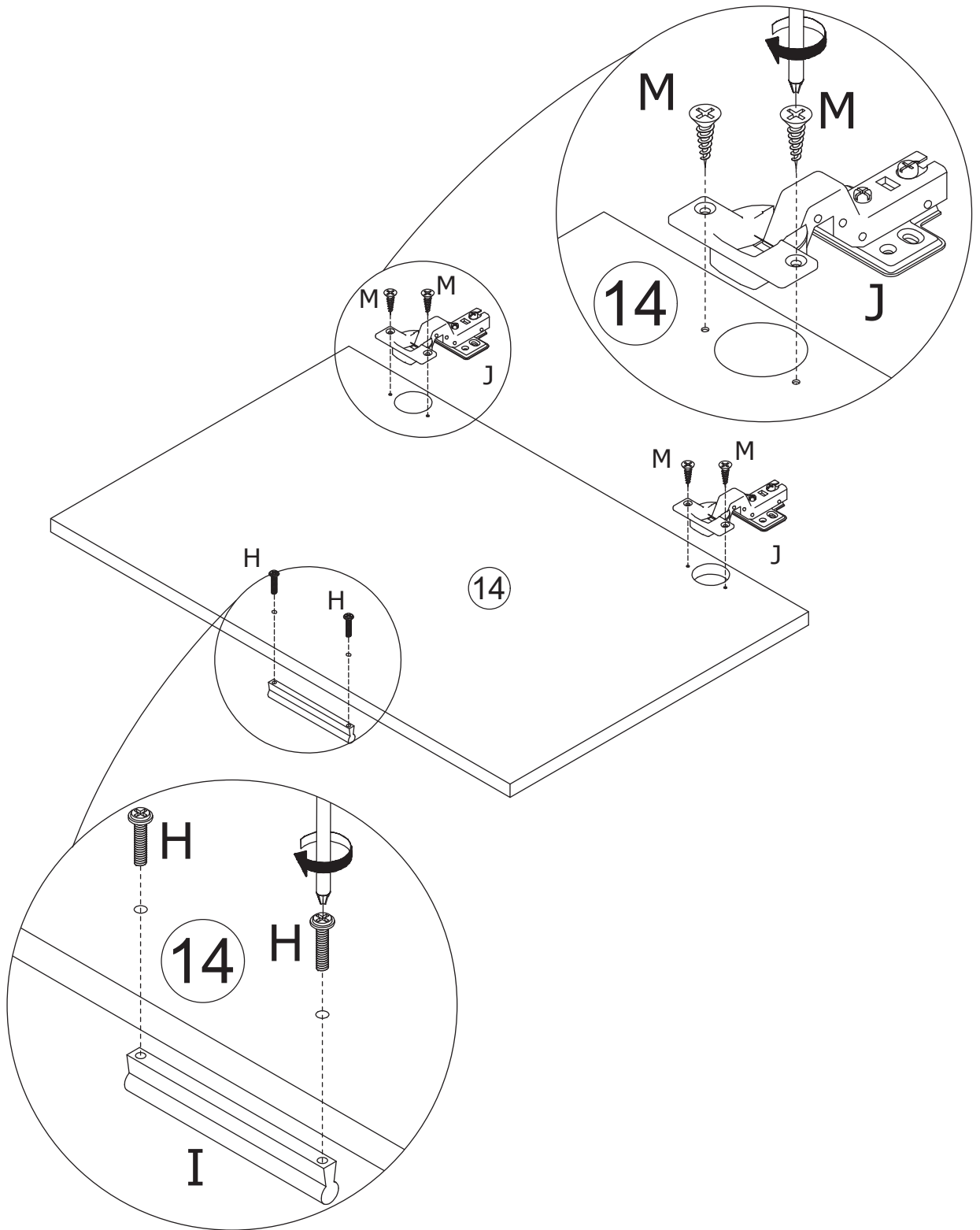
Cover No.6 plate to the assembled component using wooden dowel(C), and turn cam lock(B) in No.7,8,10,11,13 plates clockwise to tighten as shown.



12

<p>H x 2</p>  <p>CRE0418A</p>	<p>I x 1</p> 	<p>J x 2</p> 	<p>M x 4</p>  <p>CRD0414A</p>	
--	--	--	---	---

Fix hinge(J) to No.14 plate using screw(M) as shown.  
Fix handle(I) with screw(H) as shown.

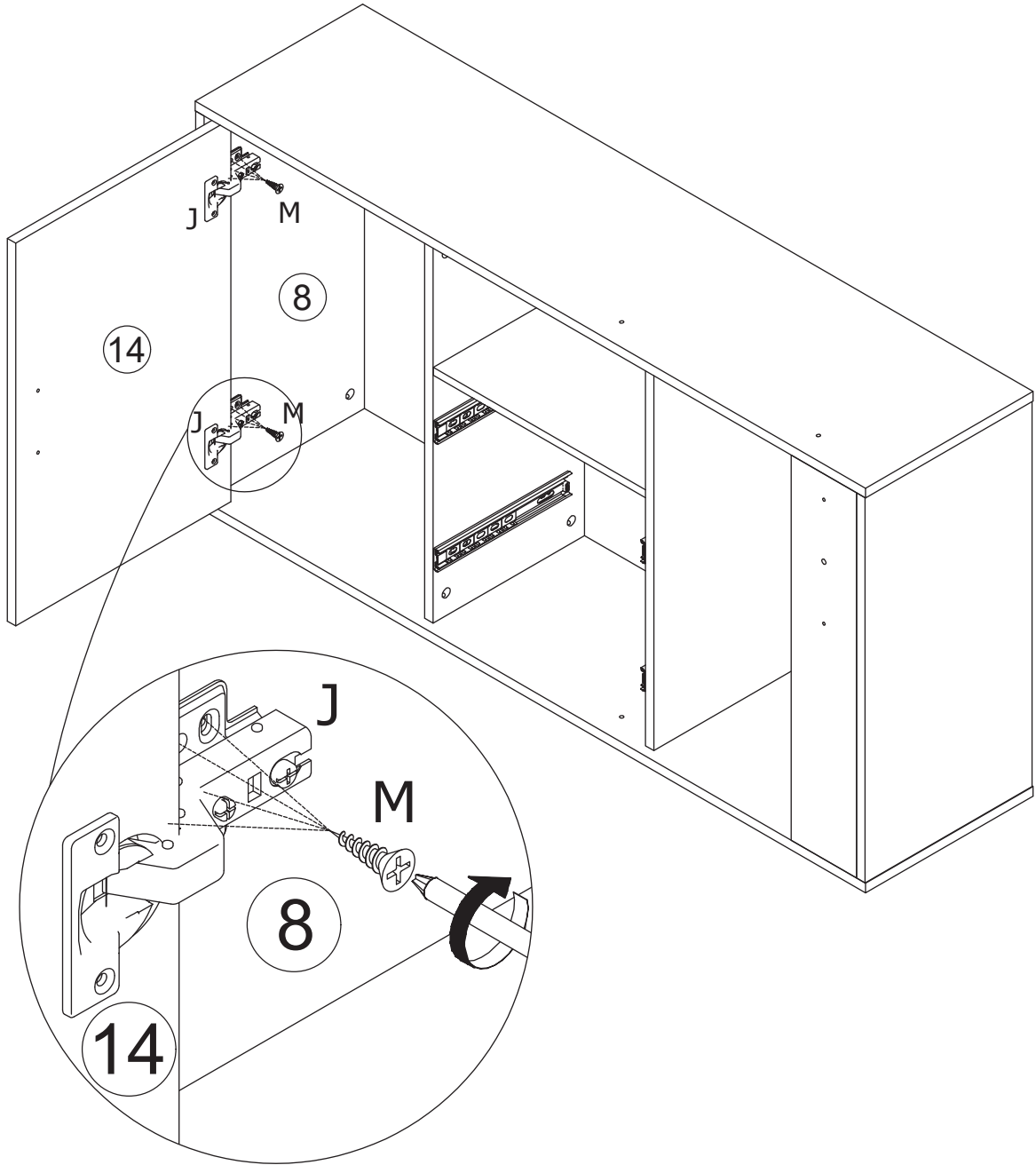
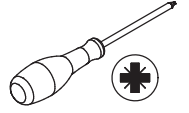


13

M x 8



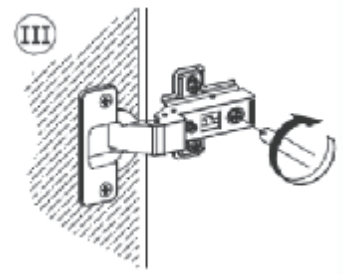
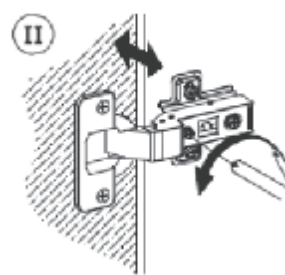
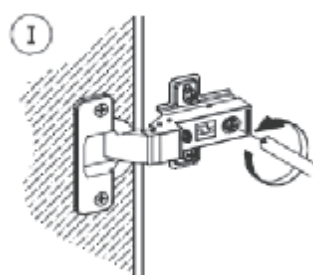
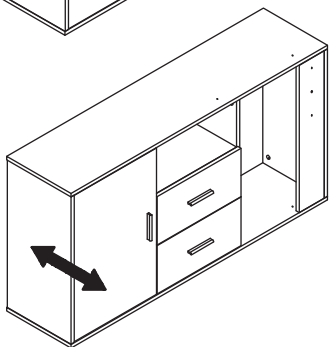
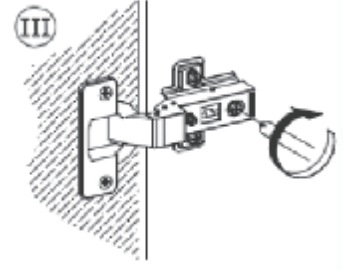
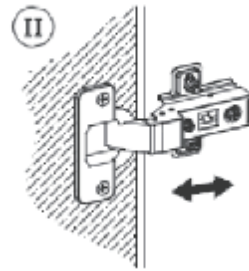
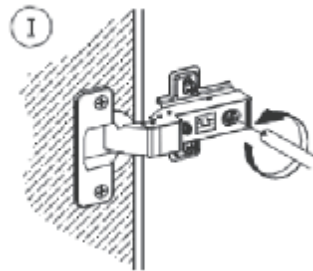
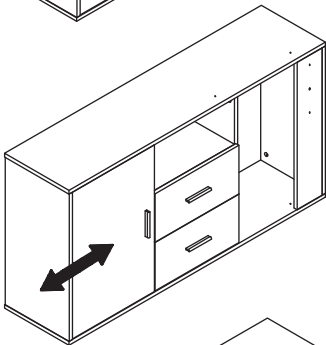
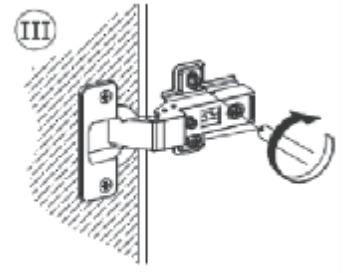
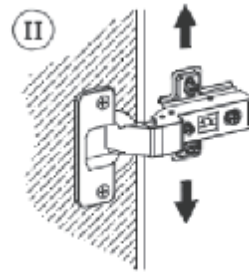
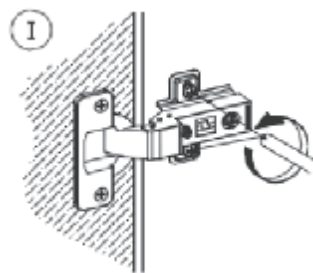
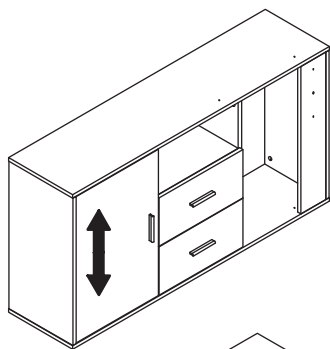
CRD0414A



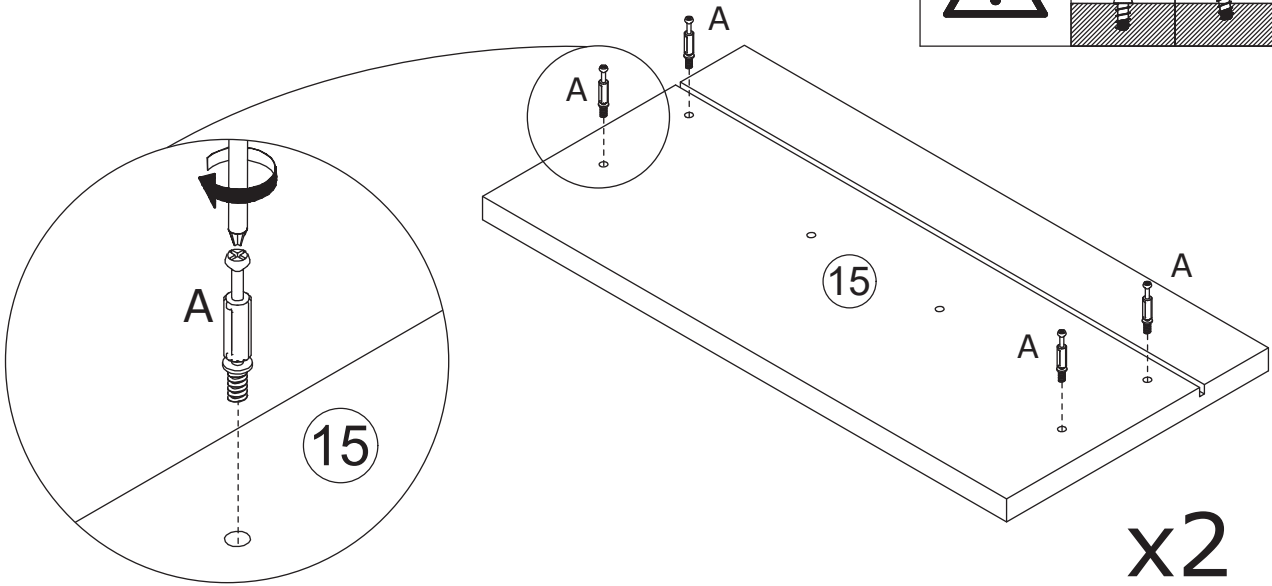
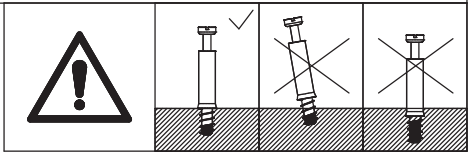
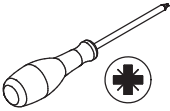
Attach No.14 door plate to No.8 by fixing hinge with screw(M) as shown.

If doors are still not aligned if the hinges are properly correctly, please watch the video.

<https://youtu.be/n0Lb36SoODM>

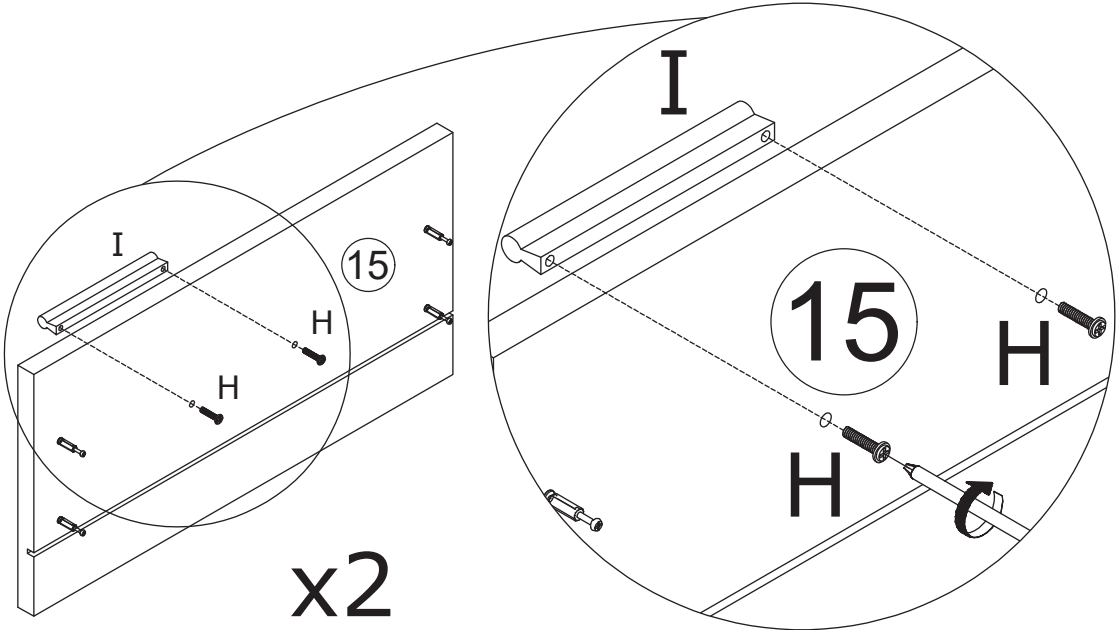
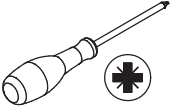
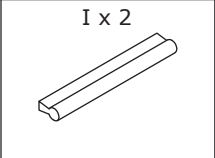


15



Insert quickfit screw(A) into corresponding holes in No.15 plate with a screwdriver as shown.

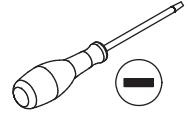
16



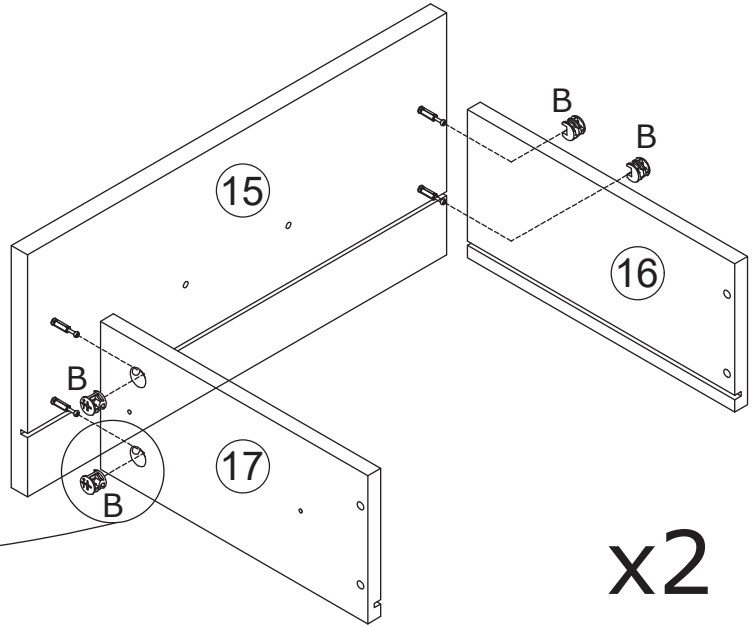
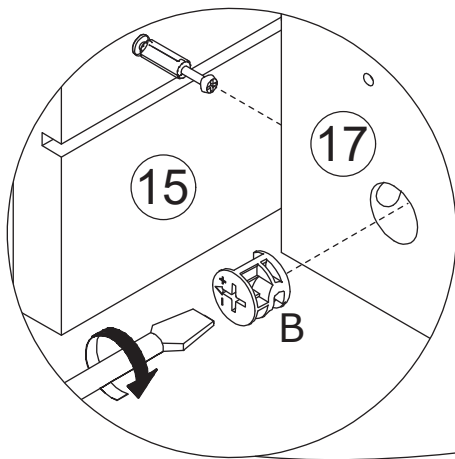
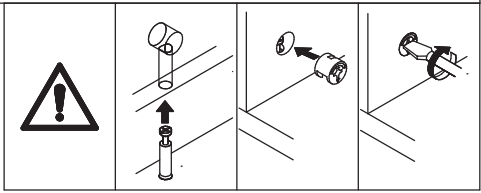
Fix handle(I) to No.15 plate with screw(H) as shown.

17

B x 8  
CRB1595A

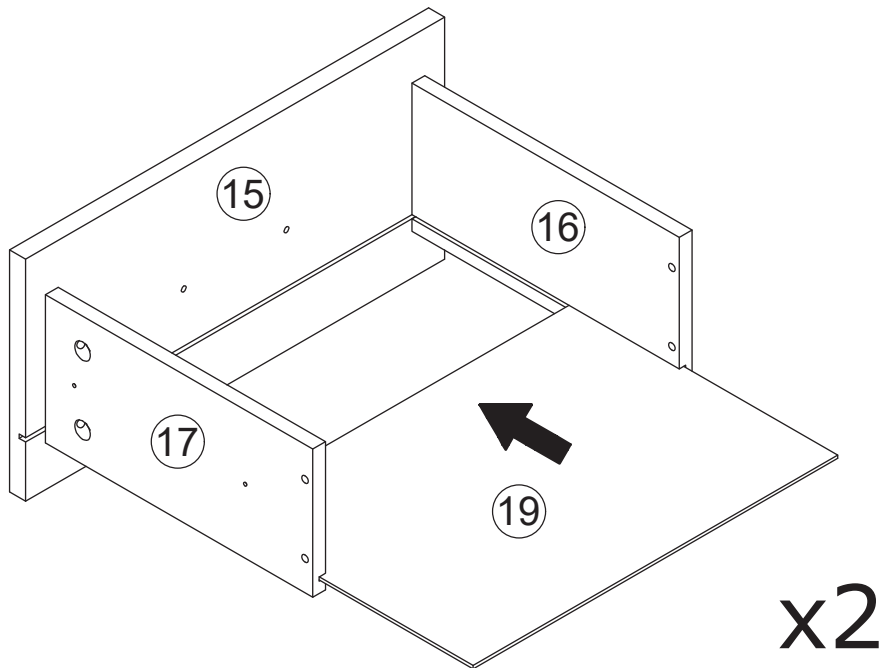


Attach No.17 and No.16 plate to No.15, and turn cam lock(B) in No.16,17 plates clockwise to tighten as shown.

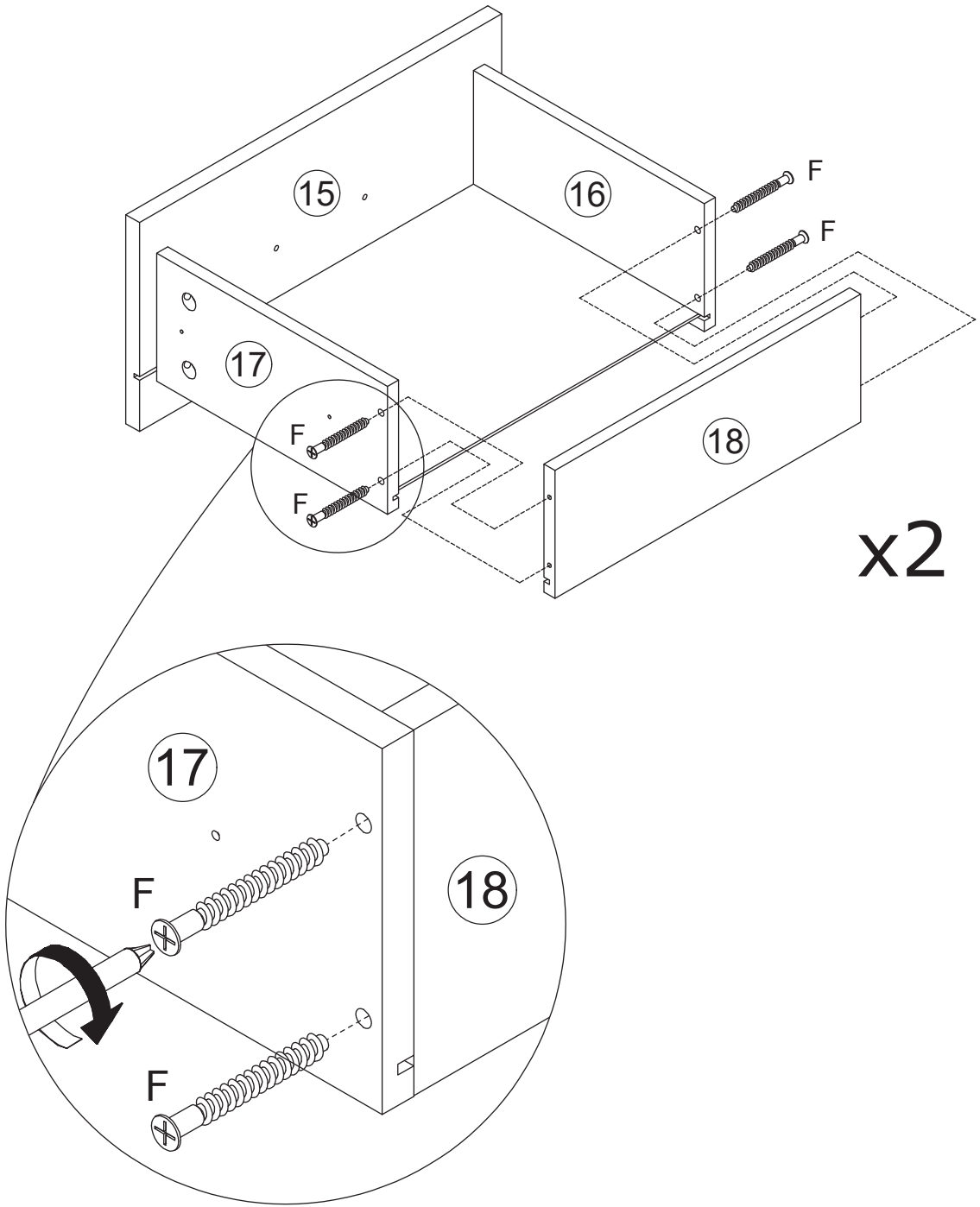
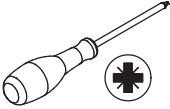


18

Slide No.19 plate into available slots as shown.



19

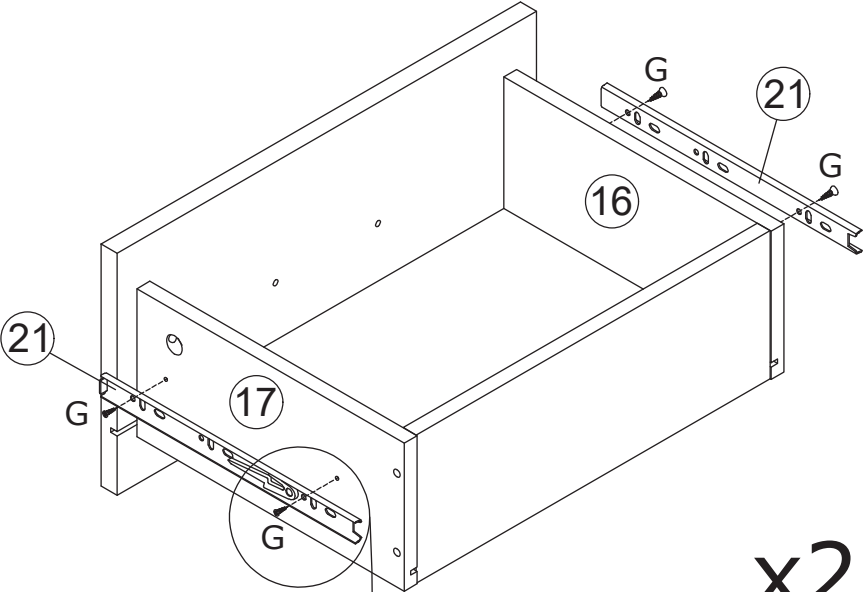
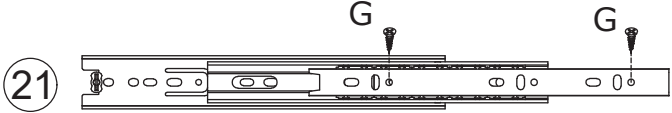
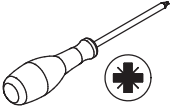


x2

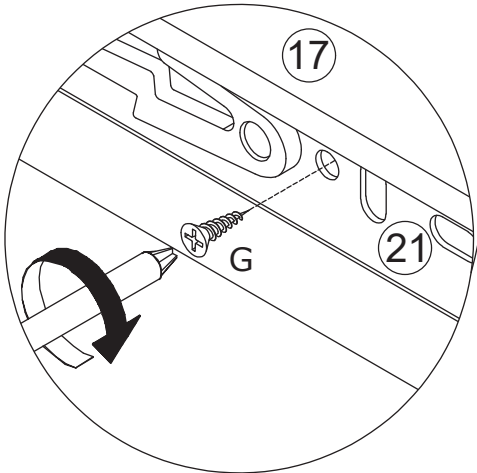
Attach No.18 to No.16 and No.17 plate, and fix with screw(F) as shown.

20

G x 8  
CRD3512A



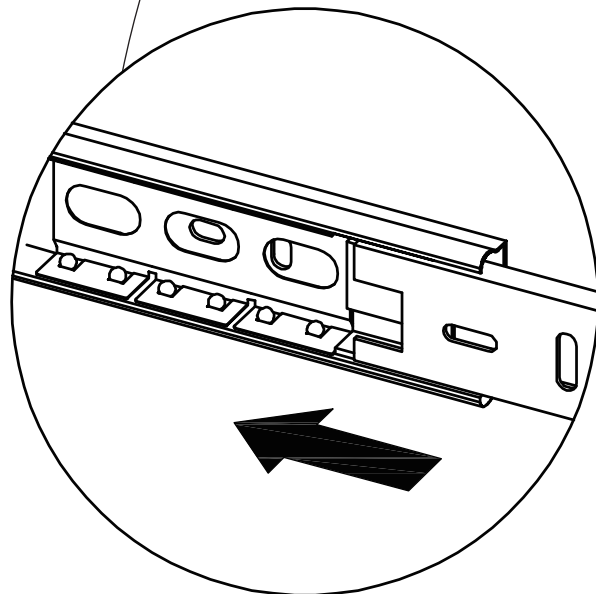
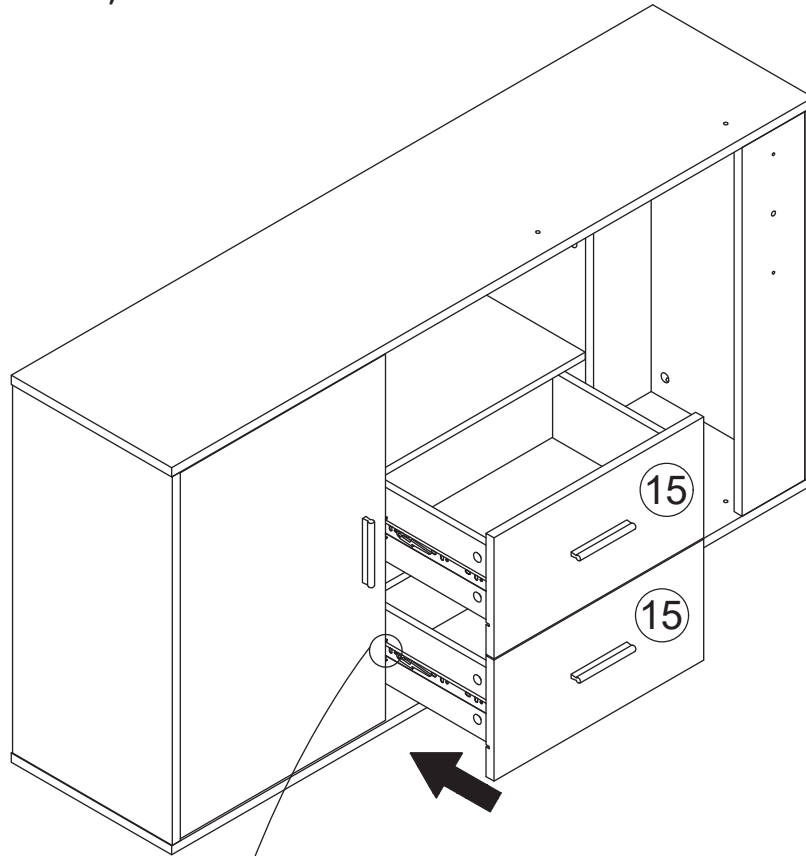
x2



Fix No.21 runner to No.16 and No.17 plate using screw(G) as shown.

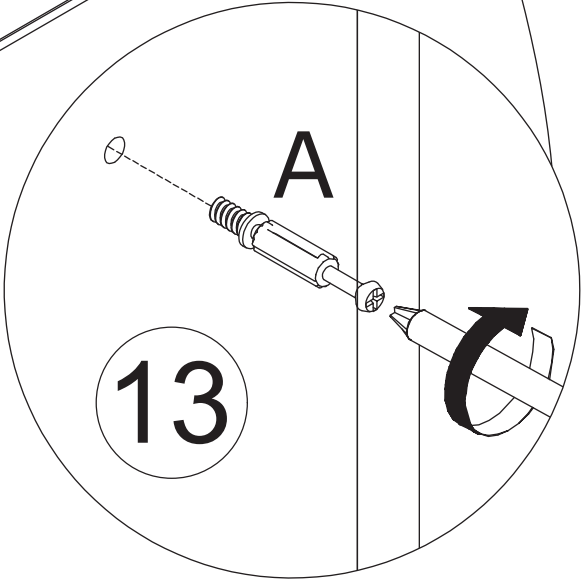
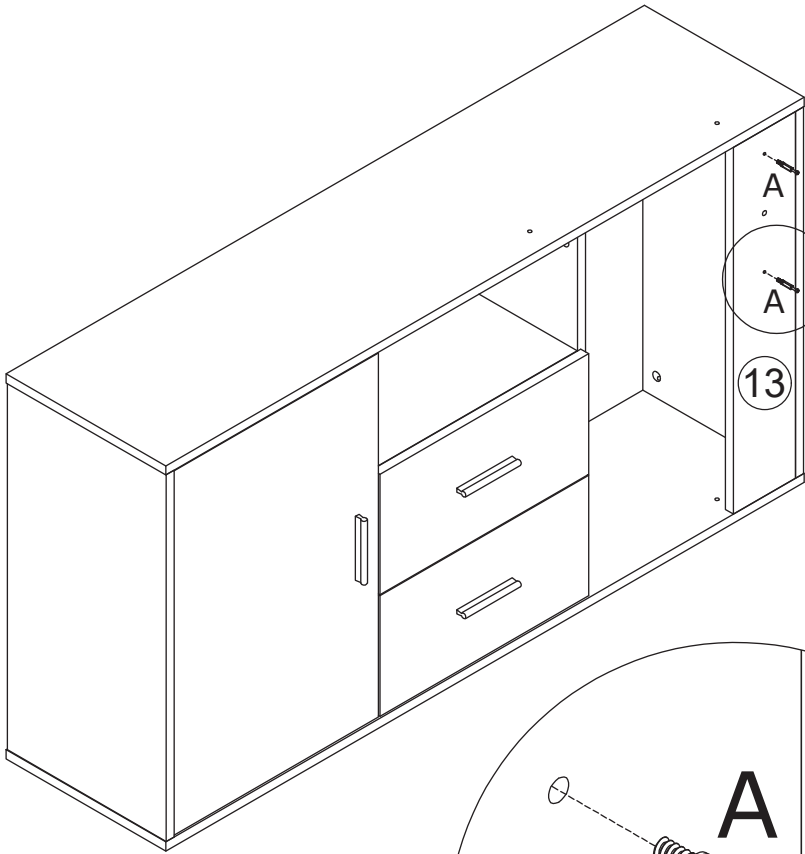
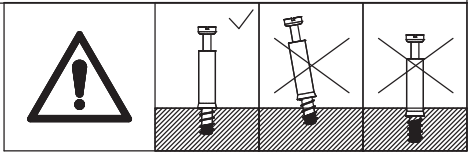
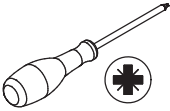
21

Align rails, slide drawers.



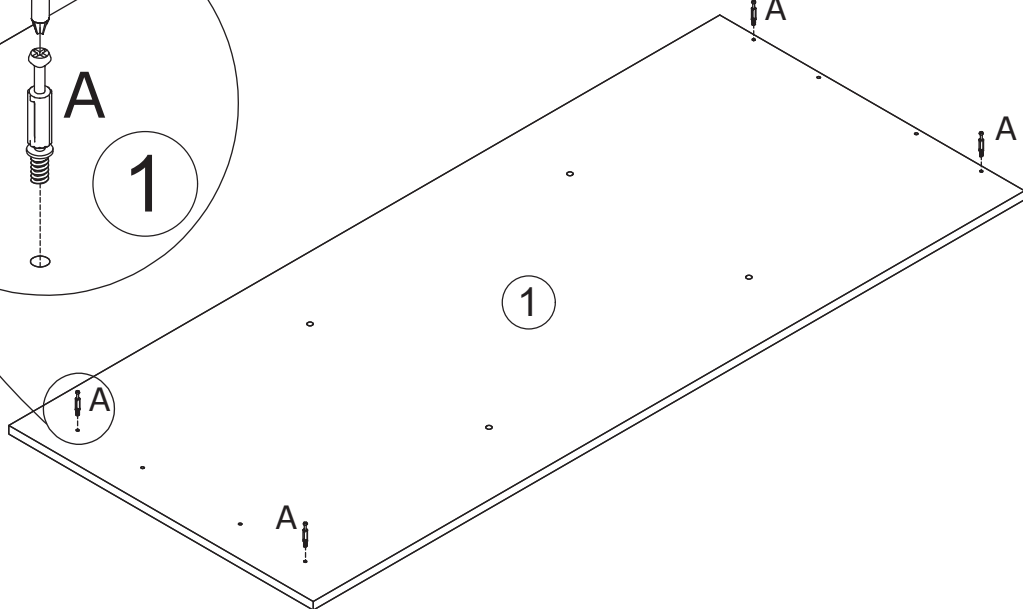
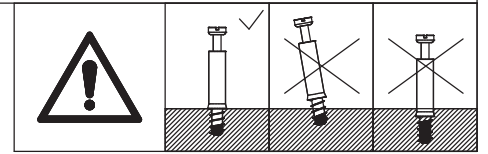
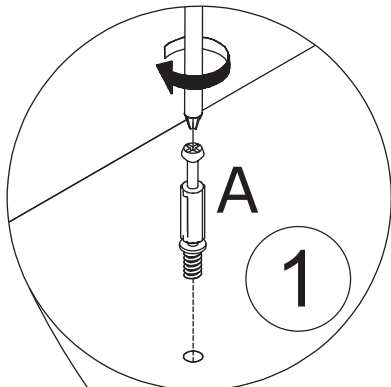
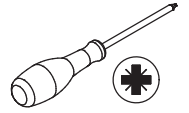
22

A x 2  
CRA0635A



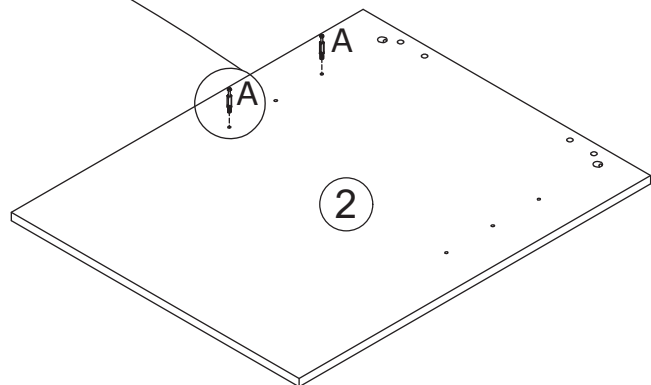
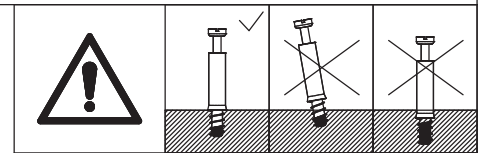
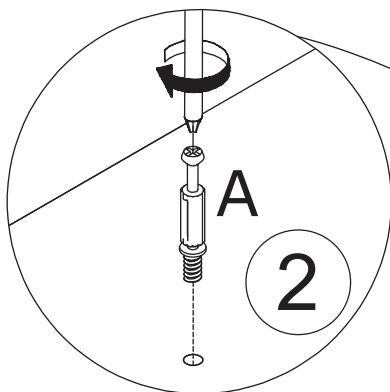
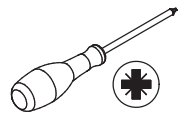
Insert quickfit screw(A) into No.13 plate with a screwdriver as shown.

23






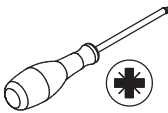
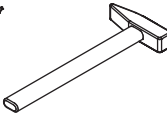
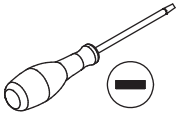
Insert quickfit screw(A) into corresponding holes in No.1 plate with a screwdriver as shown.

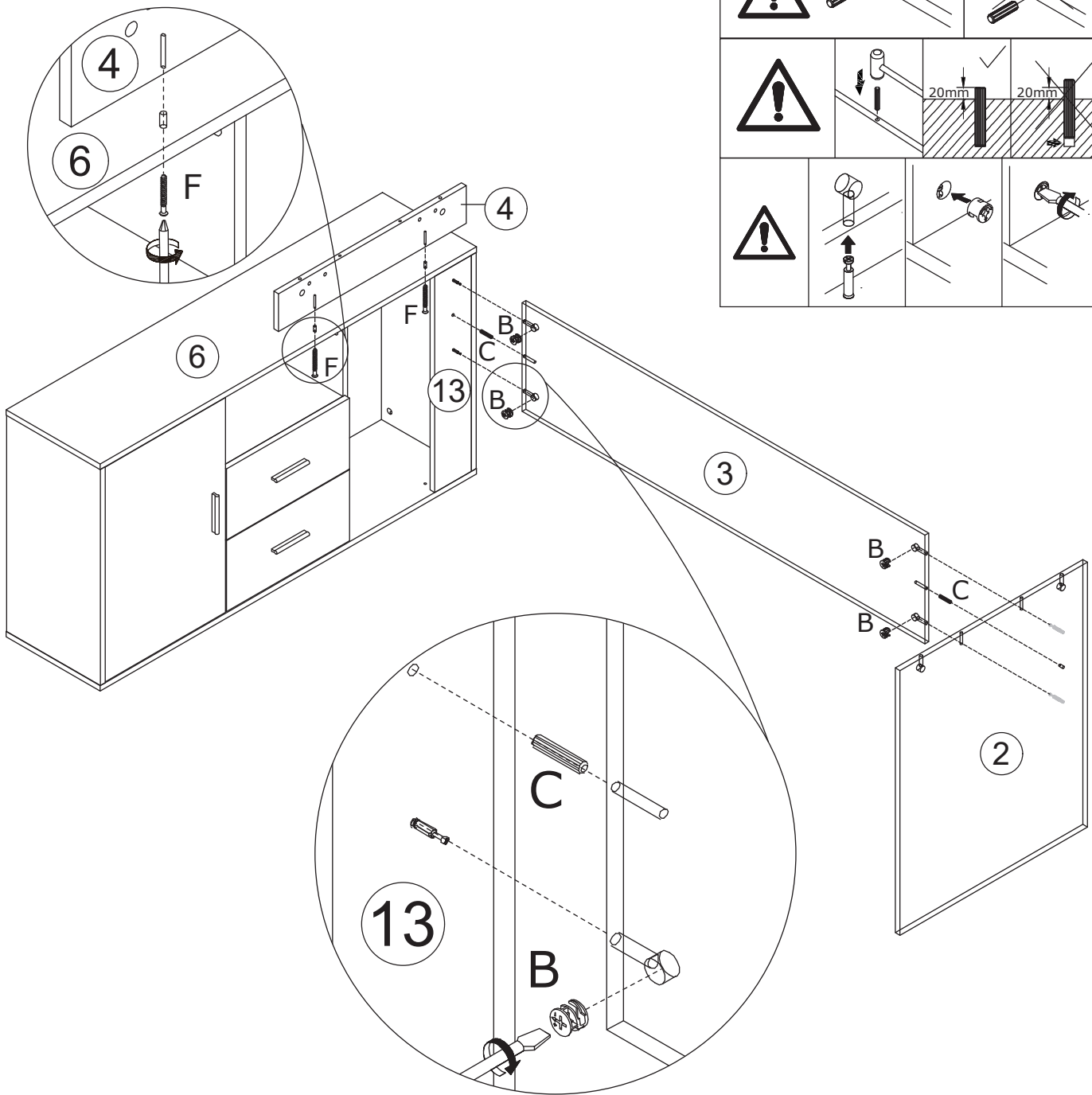
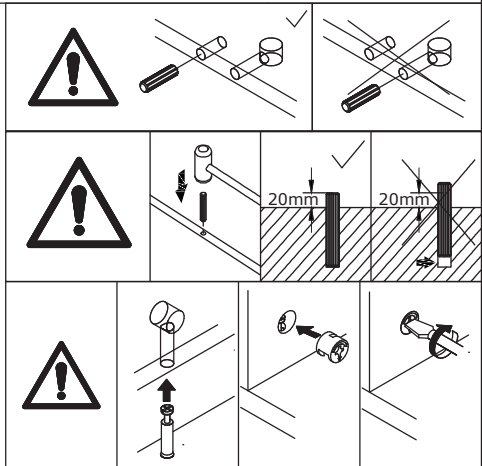
24



Insert quickfit screw(A) into corresponding holes in No.2 plate with a screwdriver as shown.

25

<p>B x 4</p>  <p>CRB1595A</p>	<p>C x 2</p>  <p>CRF0630A</p>	<p>F x 2</p>  <p>CRC0540A</p>	  
--	--	--	--



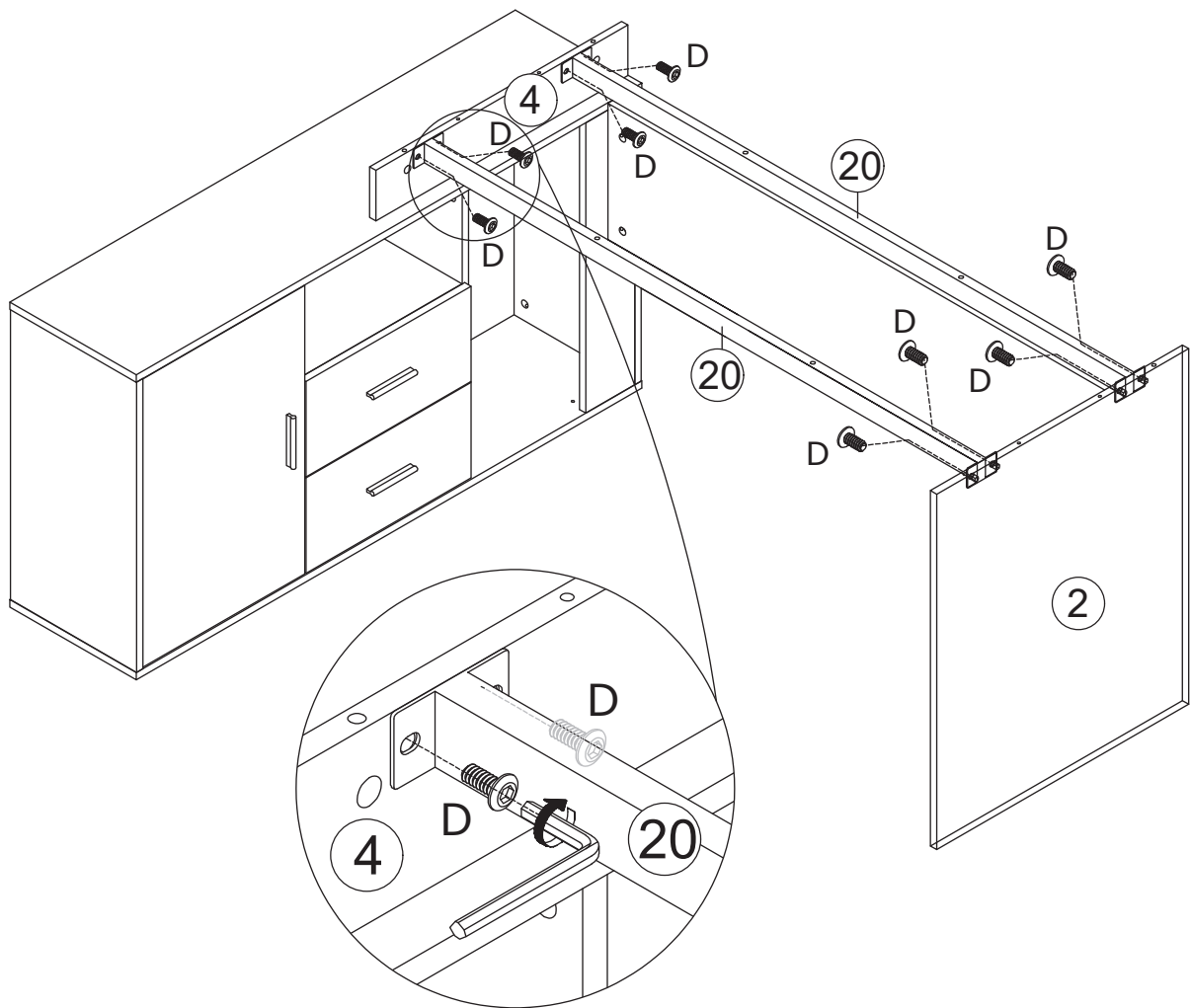
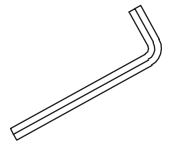
Connect No.13 and No.2 plate with No.3 using wooden dowel(C) and turn cam lock(B) in No.3 plate clockwise to tighten as shown. Attach No.4 plate to No.6 and fix with screw(F) as shown.

26

D x 8

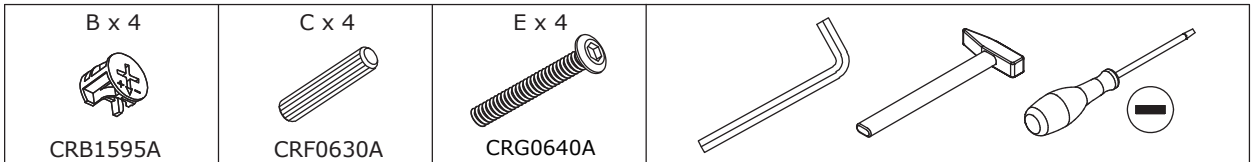


CRG0612A

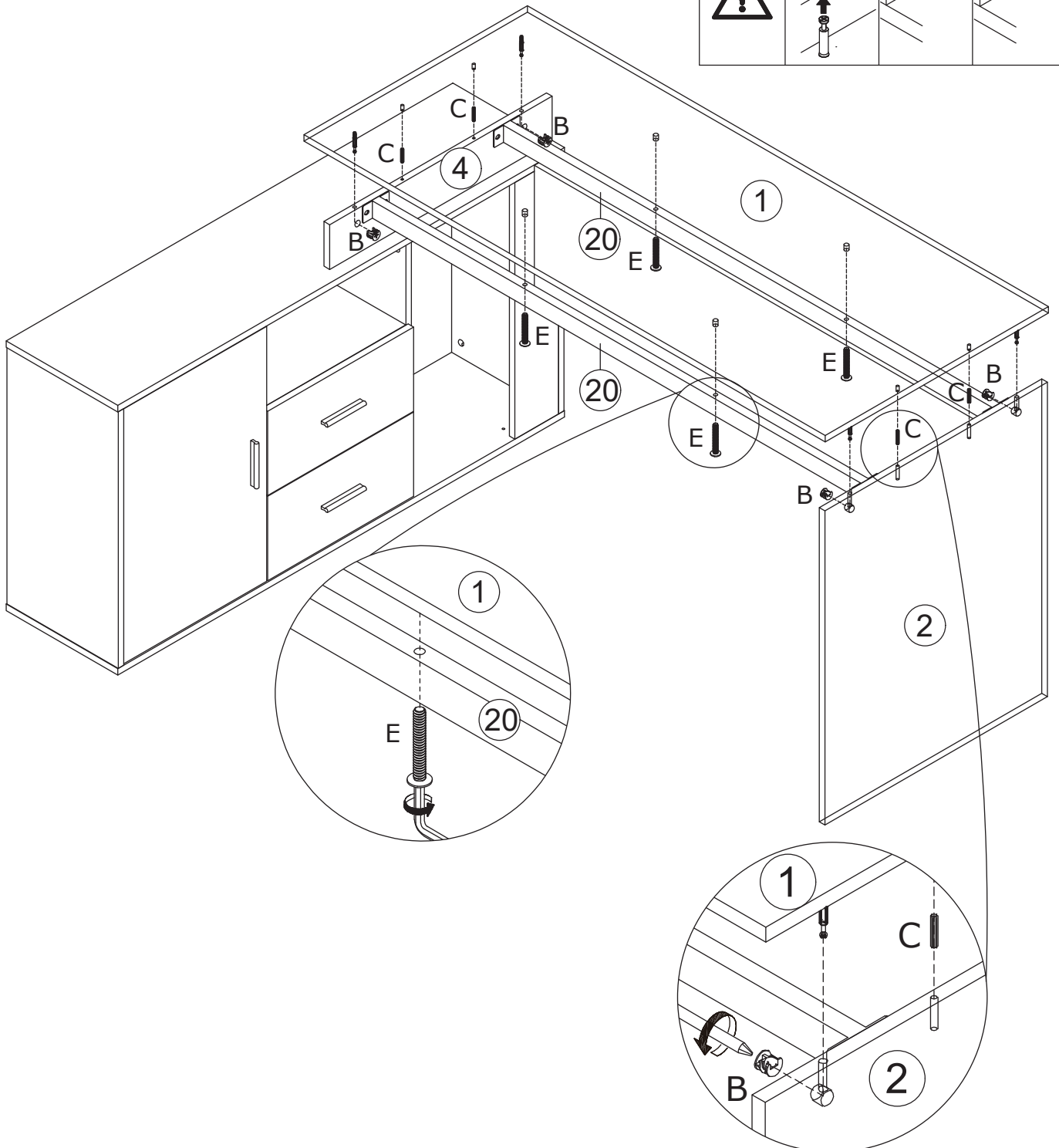
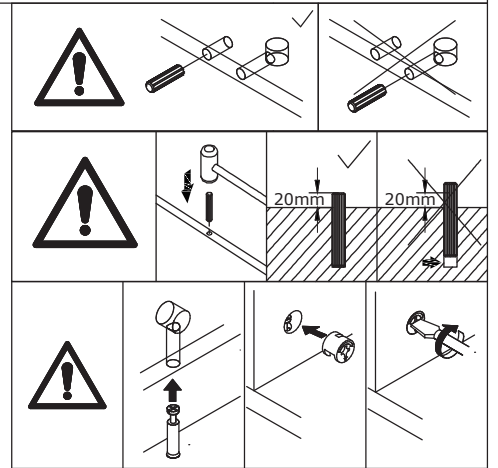


Connect No.4 and No.2 plate with No.20 steel tube and fix with screw(D) as shown.

27



Cover No.1 plate to No.2 and No.4 plate using wooden dowel(C) and turn cam lock(B) in No.2, 4 plates clockwise to tighten as shown. Fix No.1 plate with No.20 steel tube using screw(E) as shown.



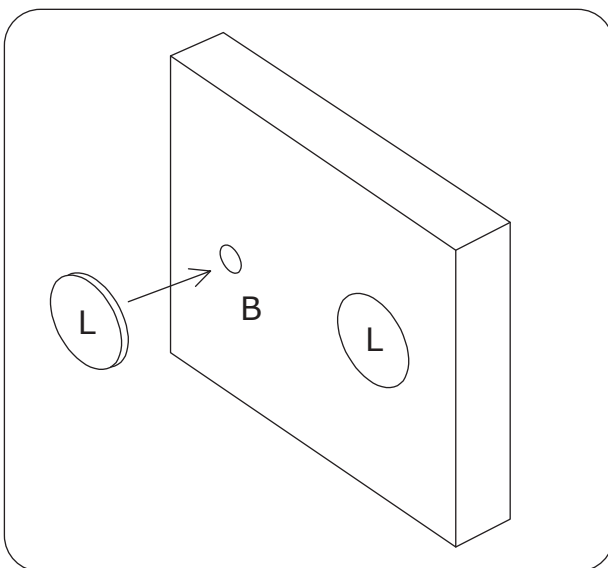
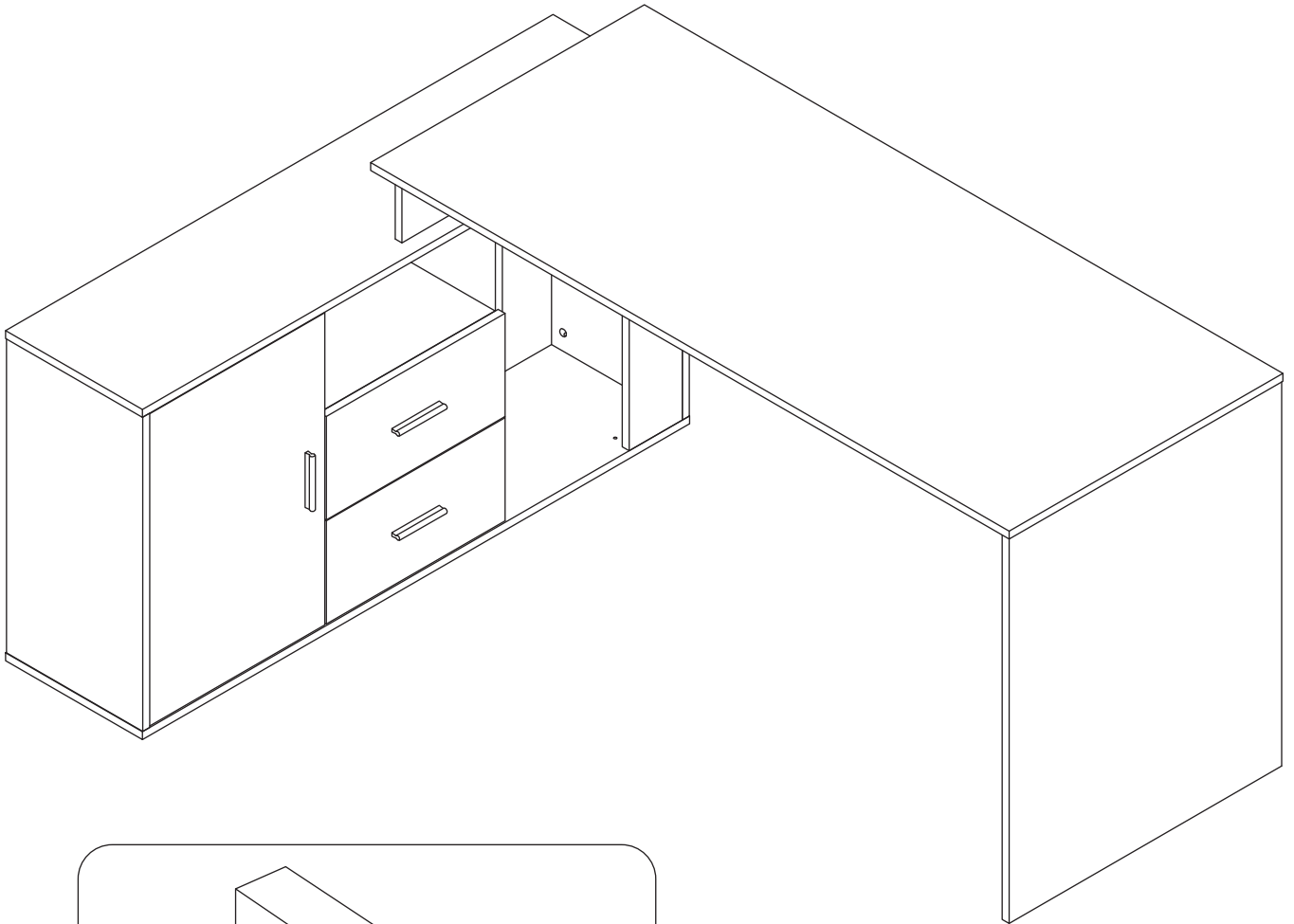
28

L x 4



Ø15 x 1 mm

Use sticker(L) to cover cam lock(B).



# WARRANTY

## WARRANTY CLAIMS

- There is a 30-day warranty for broken furniture or any other problems that do not work properly. The warranty will start from the date of purchase which must be verified by proof of purchase.
- Before making a claim, we may be able to answer your query, simply call us. Please leave your purchase order number, along with some details of the problem, if you want a replacement part. We will arrange within 48 hours. If there is out of stock, we will reply with a shipping date.
- The product must be used in accordance with the instructions provided. For health reasons.
- For other reasons, if the furniture needs to be returned, it must be cleaned and dried and operated within 30 days of receipt.

## Type of Warranty Claim

- Failure to follow the furniture instructions will invalidate the warranty. Attention please.
- Does not include damage during installation, but includes damage during transportation.

## Scope of responsibility

- Shall not bear any responsibility for misuse or user damage and / or loss of parts during the installation of furniture.
- After using, the damage and scratches of the furniture are not covered by the warranty.

## The Warranty Relates to All Bought in The Us and Covers The Following Areas

- Sheet parts: 1 month from the date of purchase.
- Electrical parts: 1 month from the date of purchase.

# RETURNS

## CHANGED YOUR MIND AND NEED TO RETURN YOU ITEM?

### PLEASE FOLLOW THE BELOW INSTRUCTIONS:

- If you have purchased and have simply changed your mind, follow the retailer's instructions for returns.

### DEFECTIVE ITEMS

- If your item is defective in any way, i.e. it doesn't work but you can't identify why, in the first instance, please call us.

### DAMAGED ITEMS

- If you receive an order with obvious shipping damage from the retailer, then we suggest the delivery is refused. If the delivery has been accepted and then shipping damage is found, please follow the specific instructions advised by the retailer.  
In all circumstances please save all packaging material and paperwork for the order. Please be aware that if you dispose of packaging material or attempt to return the merchandise without contacting the fulfiller, you jeopardise your chances of making a claim, and you may not receive a credit for the return.

### AFTER-SALES CONTACT



feedbackstation@163.com



(303)800-6387