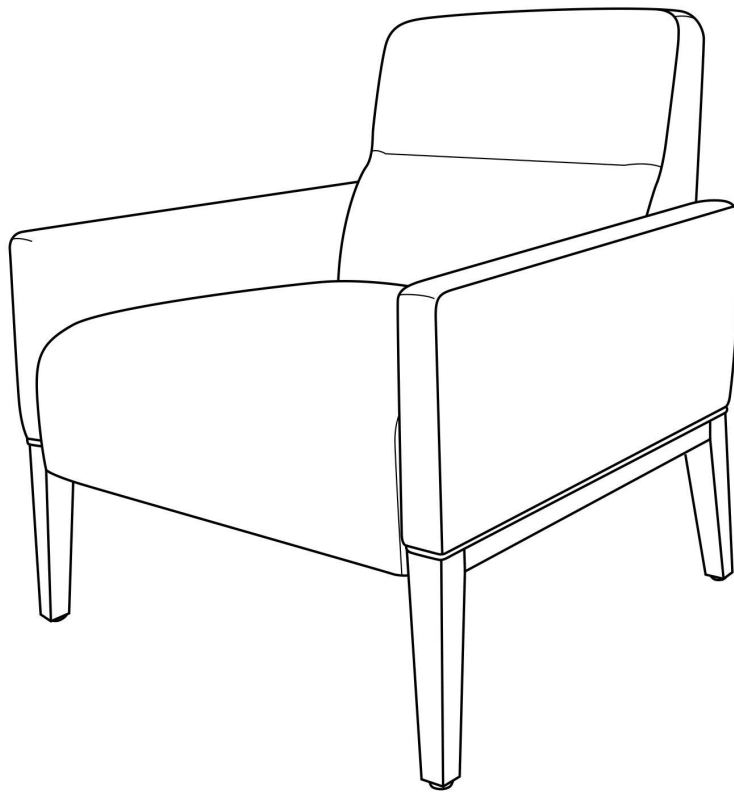


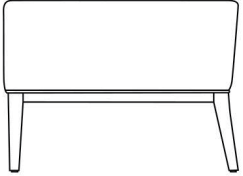
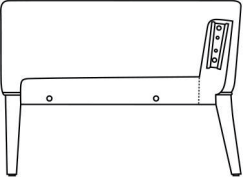
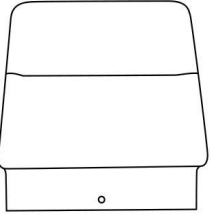
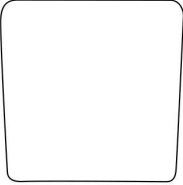

Assembly Manual

Accent Chair



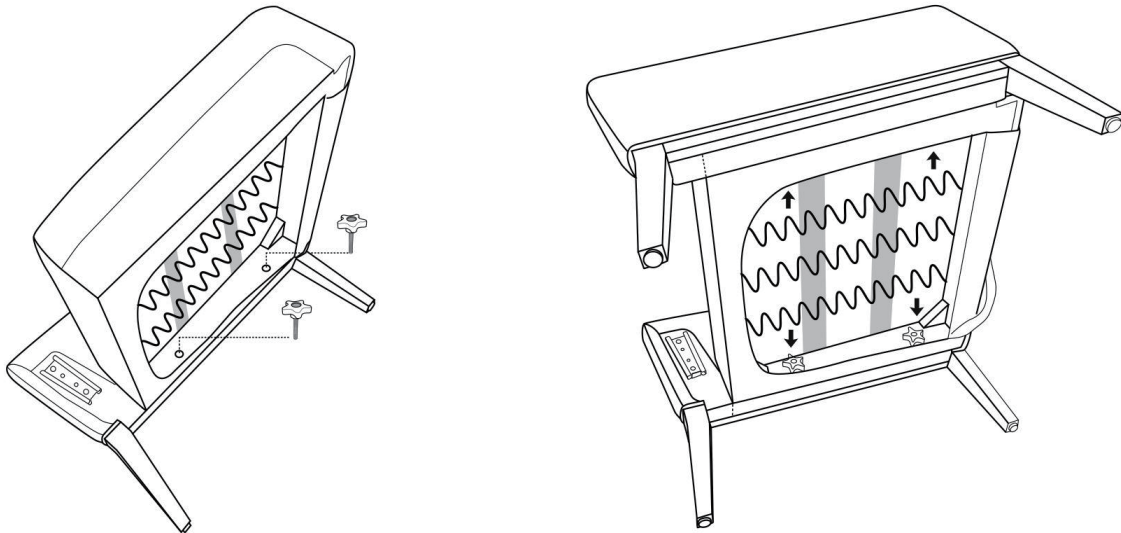
▲ CAUTION

THIS ASSEMBLY MANUAL CONTAINS IMPORTANT SAFETY INFORMATION.
PLEASE READ AND KEEP FOR FUTURE REFERENCE.

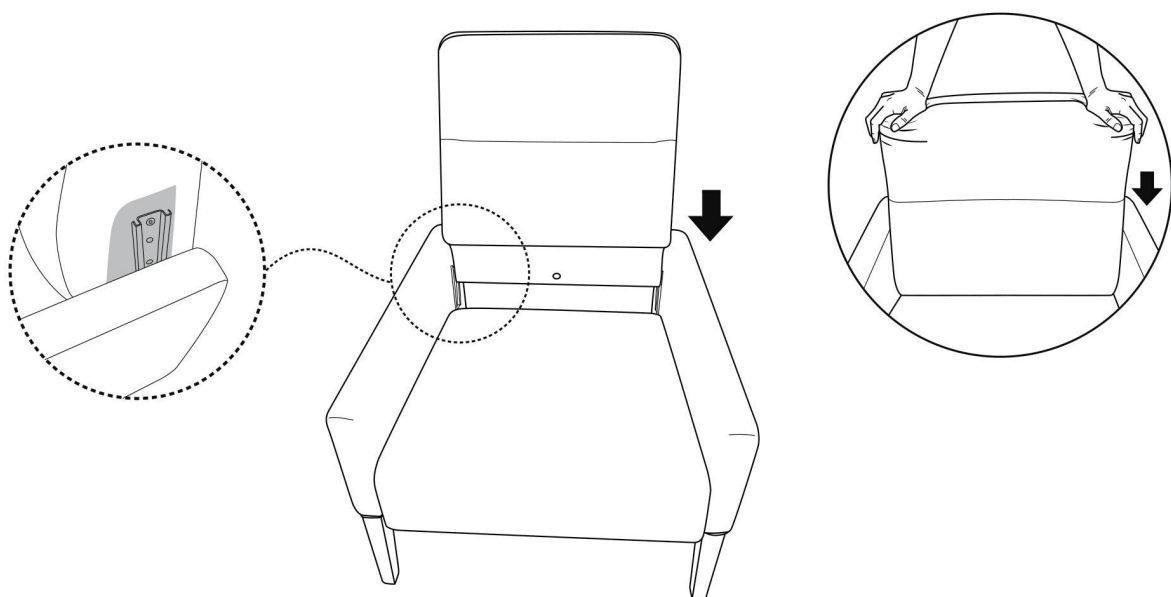
PART	DRAWING	DESCRIPTION	QTY
A		RIGHT FACING ARM	1
B		LEFT FACING ARM	1
C		CHAIR BACK	1
D		SEAT CUSHION	1
H1		THUMB BOLT	5

ASSEMBLY INSTRUCTIONS

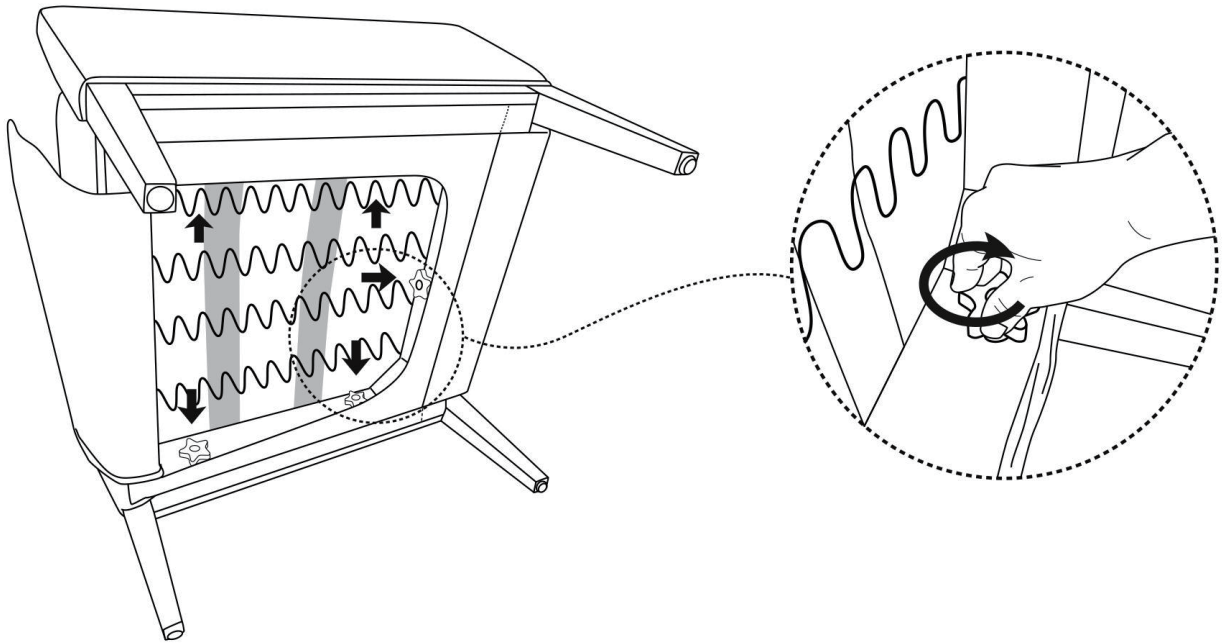
- 1 Please lay the Arms on soft, clean surface to assemble.
Attach the Seat Cushion (D) to 2 Arms (A/B) with Thumb Bolt (H1).
Do not tighten yet.



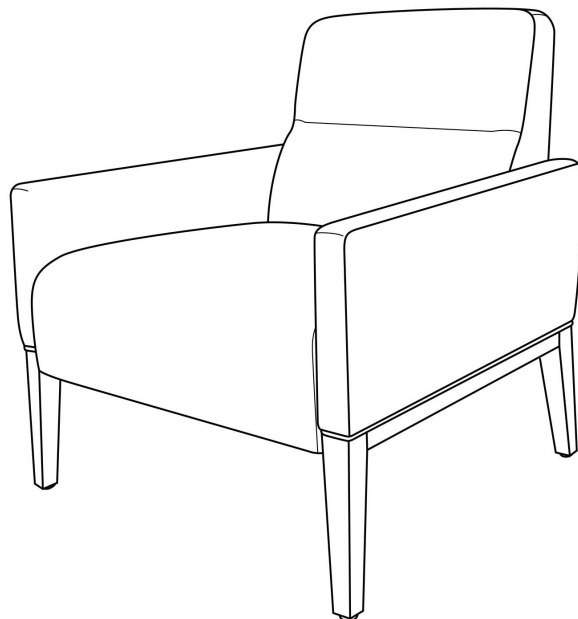
- 2 Align and Slide the slots on Chair Back (C) into 2 Arms, press down firmly to make sure all four feet are level with the floor.



- 3 Attach the Chair Back(C) and Seat Cushion(D) with H1 and tighten all bolts.



- 4 Assembly complete.



PRODUCT WARRANTY

- 1-year limited on cover against splitting, peeling, and/or tearing.
- 1-year limited on internal and external frame structure.
- 1-year limited on cushioning material, seat springs and mechanism.

CARE & MAINTENANCE

Water Based Cleaner 'W': Spot clean using the foam only from a water-based cleaning agent such as a mild detergent or non-solvent upholstery shampoo product. Apply foam with a soft in circular motion.

Vaccum when dry.

Do not place furniture in direct sunlight and keep furniture at least 60 cm / 2 feet from heat sources to avoid fading.