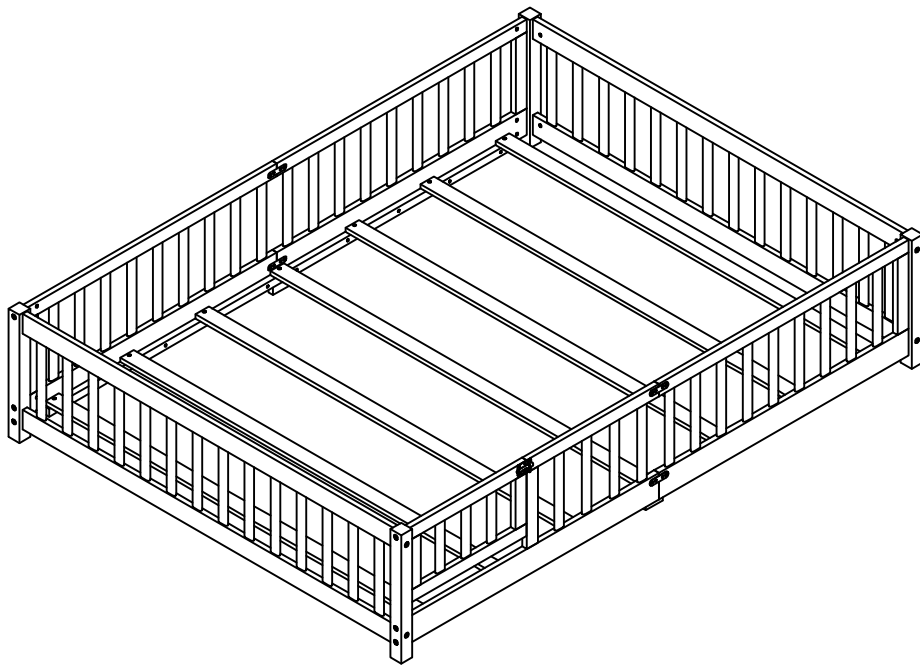
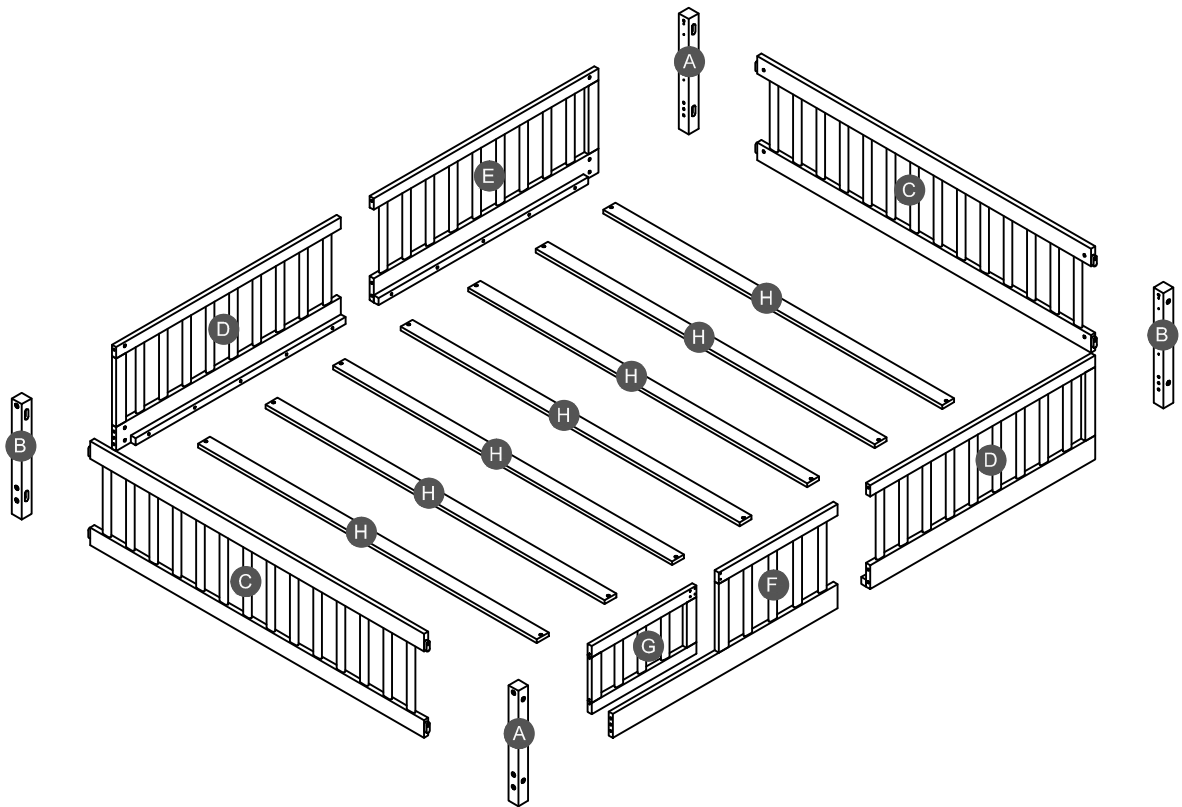


ASSEMBLY INSTRUCTIONS

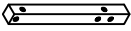
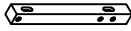
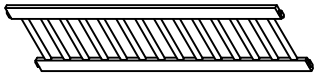
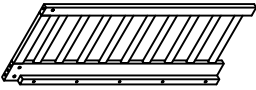
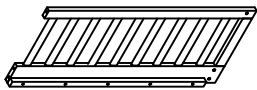
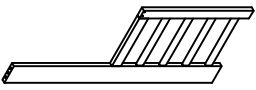
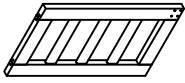

QUEEN FLOOR BED WITH RAILINGS



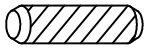
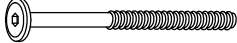
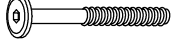

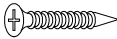
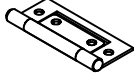
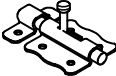

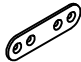

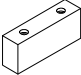
Detail View



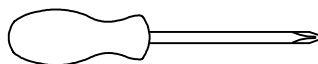
Part List

| | | |
|---|---|---|
| A  Leg (Left Front/Right Back) - 2pcs | B  Leg (Right Front/Left Back) - 2pcs | C  Frame HB & FB - 2pcs |
| D  Side rail (Right Front/Left Back) - 2pcs | E  Side rail (Right Back) - 1pc | F  Side rail (Left Front) - 1pc |
| G  Door - 1pc | H  Slat - 7pcs | |

Hardware List


| | | |
|--|--|--|
| 1  Ø8*30mm Wood dowel (10pcs) | 2  (Ø15)1/4"*100mm Hex-Head bolts (11pcs) | 3  (Ø15)1/4"*80mm Hex-Head bolts (8pcs) |
| 4  1/4"*15 (9.5mm) Horizontal-Hole bolts(19pcs) | 5  Ø4*30mm Wood screws (18pcs) | 6  55*24*6mm(135°) Hinges (2pcs) |
| 7  60*40*10mm Lock (1pc) | 8  Ø3.5*15mm Wood screws (46pcs) | 9  75*20*2 mm Metal bracket (8pcs) |
| 10  (1/4")4.5*58mm Allen key (1pc) | 11  70*30*19 mm Drawer stopper (2pcs) | |

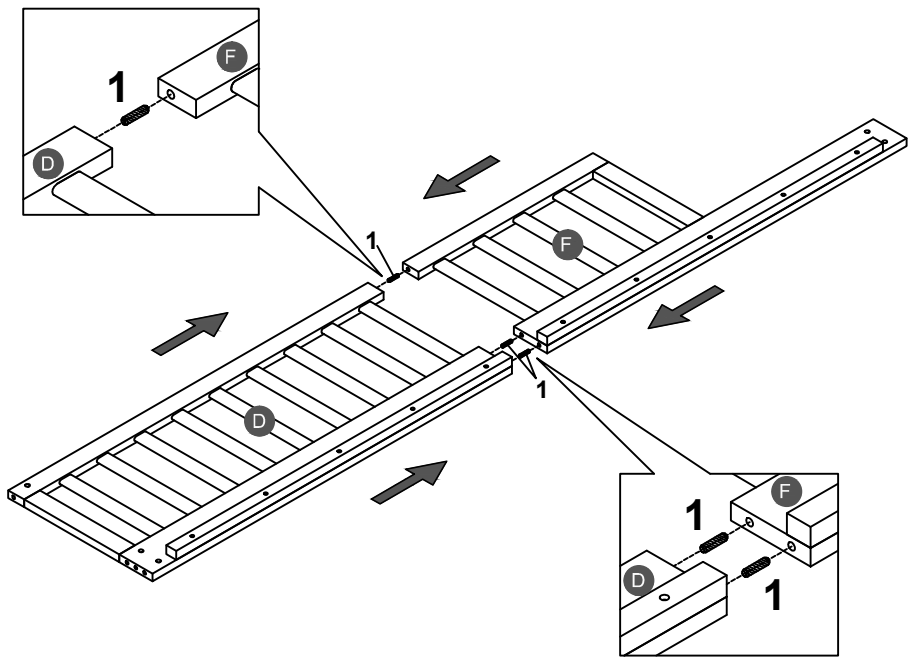
ASSEMBLY TOOLS REQUIRED (NOT INCLUDED)





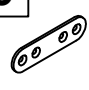
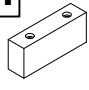
PLEASE BE CAREFUL DO NOT DAMAGE THE HOLE POSITION WHEN YOU USE POWER TOOLS !

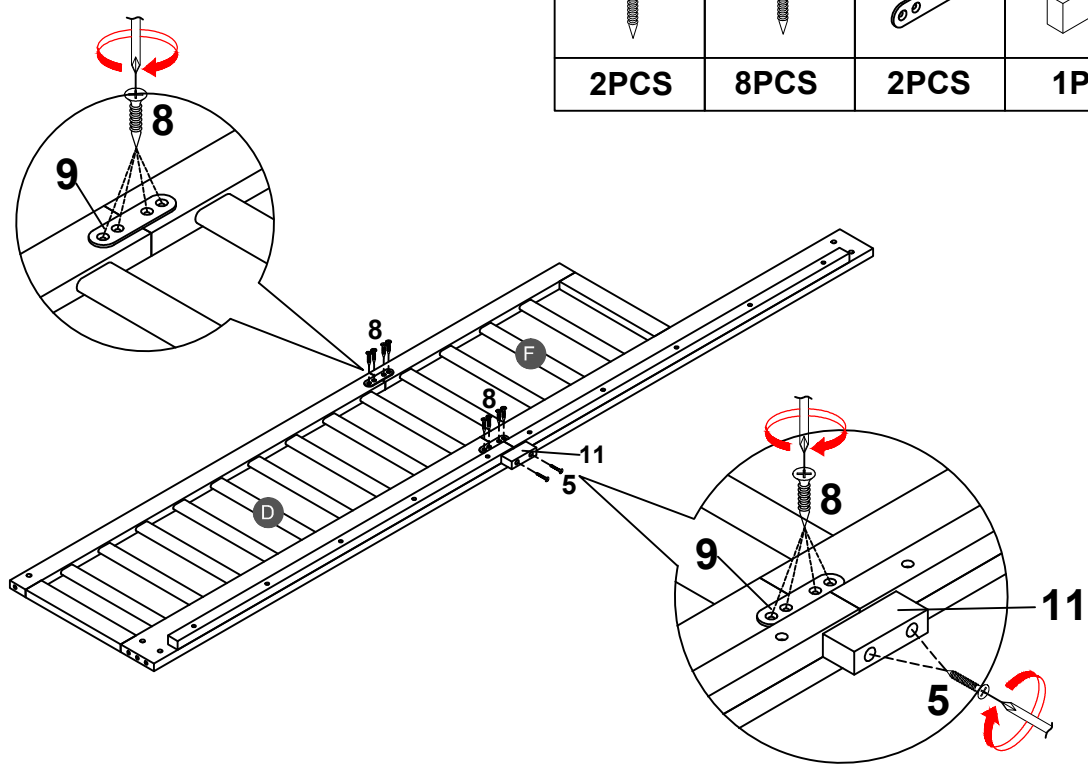
STEP 1:

| | |
|-------------|---|
| 1 |  |
| 3PCS | |


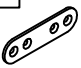


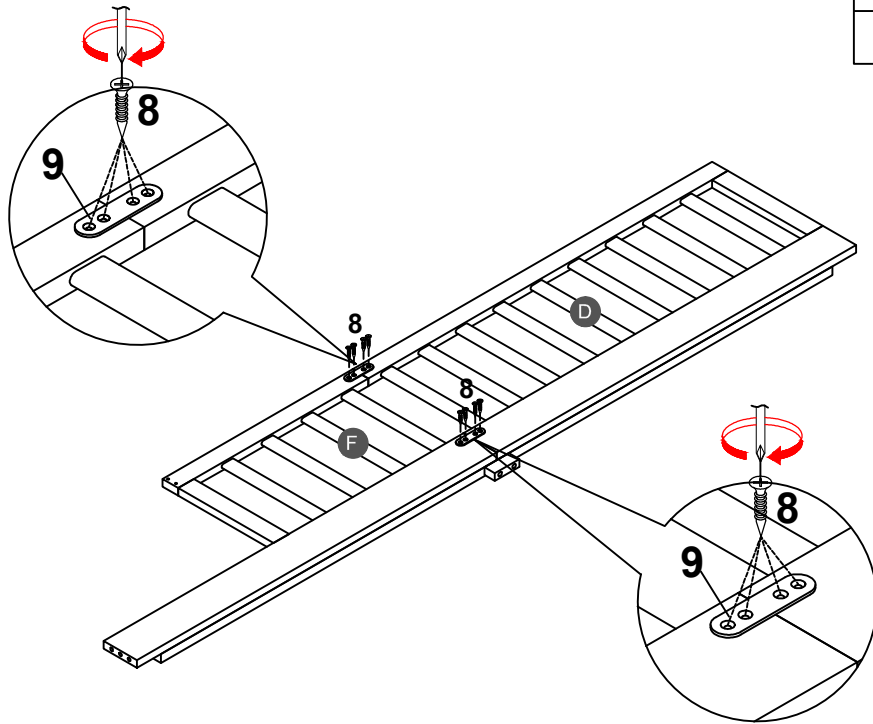
STEP 2:

| | | | |
|---|---|---|---|
| 5 | 8 | 9 | 11 |
|  |  |  |  |
| 2PCS | 8PCS | 2PCS | 1PC |




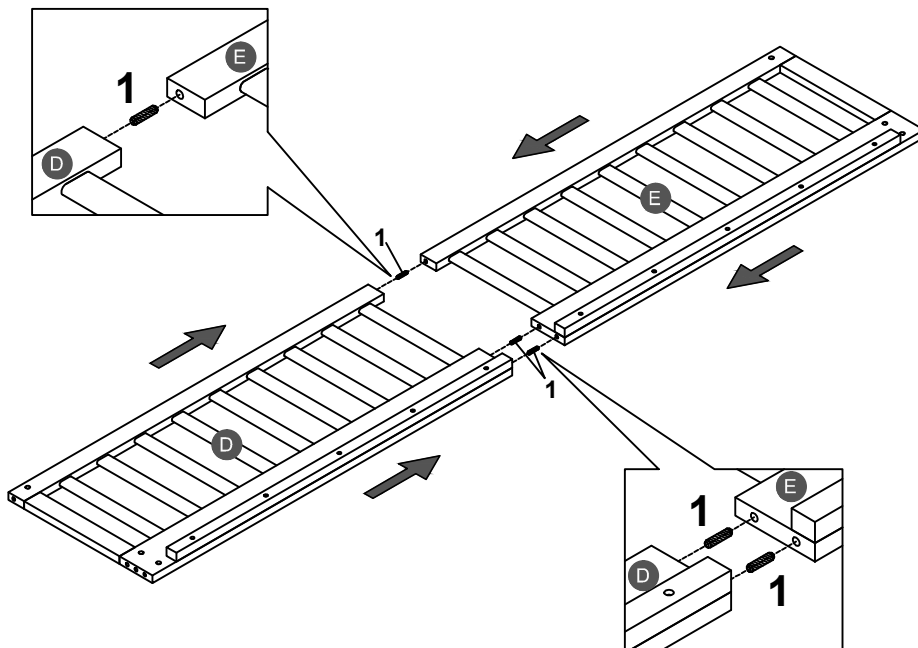
STEP 3:

| | | | |
|-------------|---|-------------|---|
| 8 |  | 9 |  |
| 8PCS | | 2PCS | |



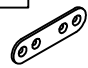
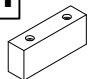


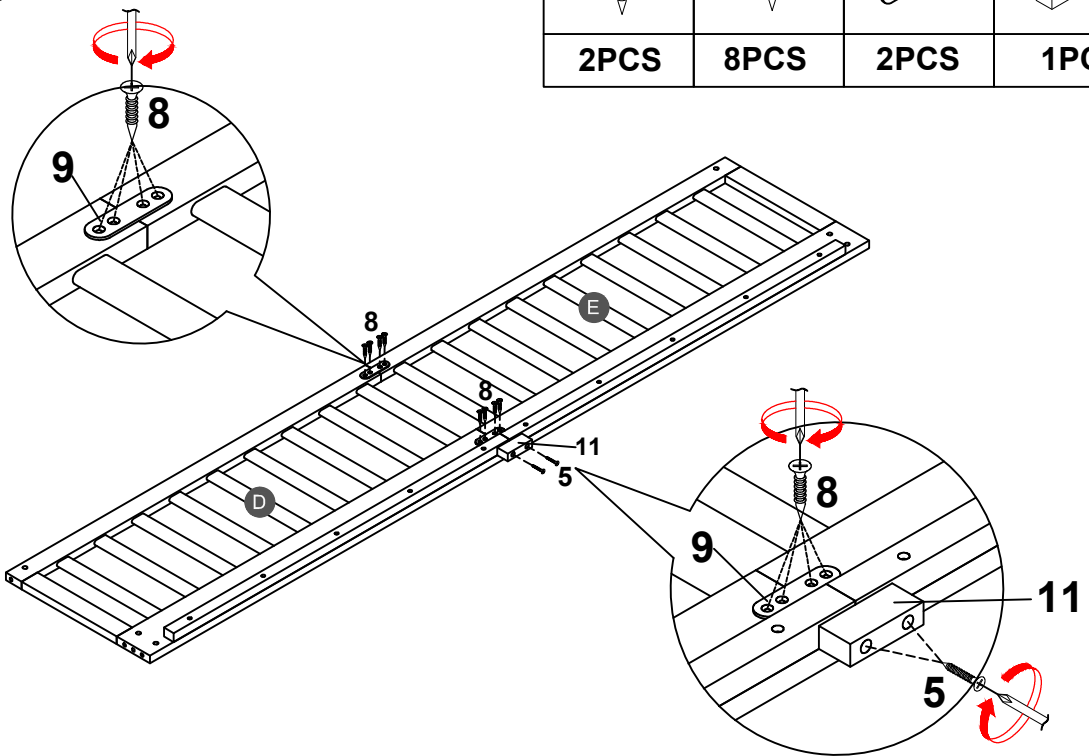
STEP 4:

| | |
|-------------|---|
| 1 |  |
| 3PCS | |


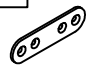


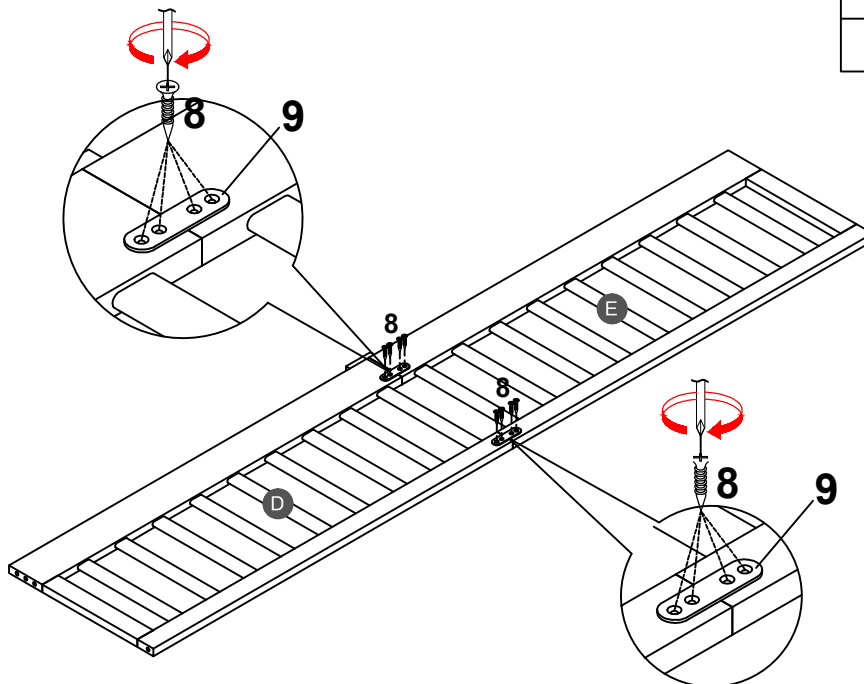
STEP 5:

| | | | |
|---|---|---|--|
| 5  | 8  | 9  | 11  |
| 2PCS | 8PCS | 2PCS | 1PC |

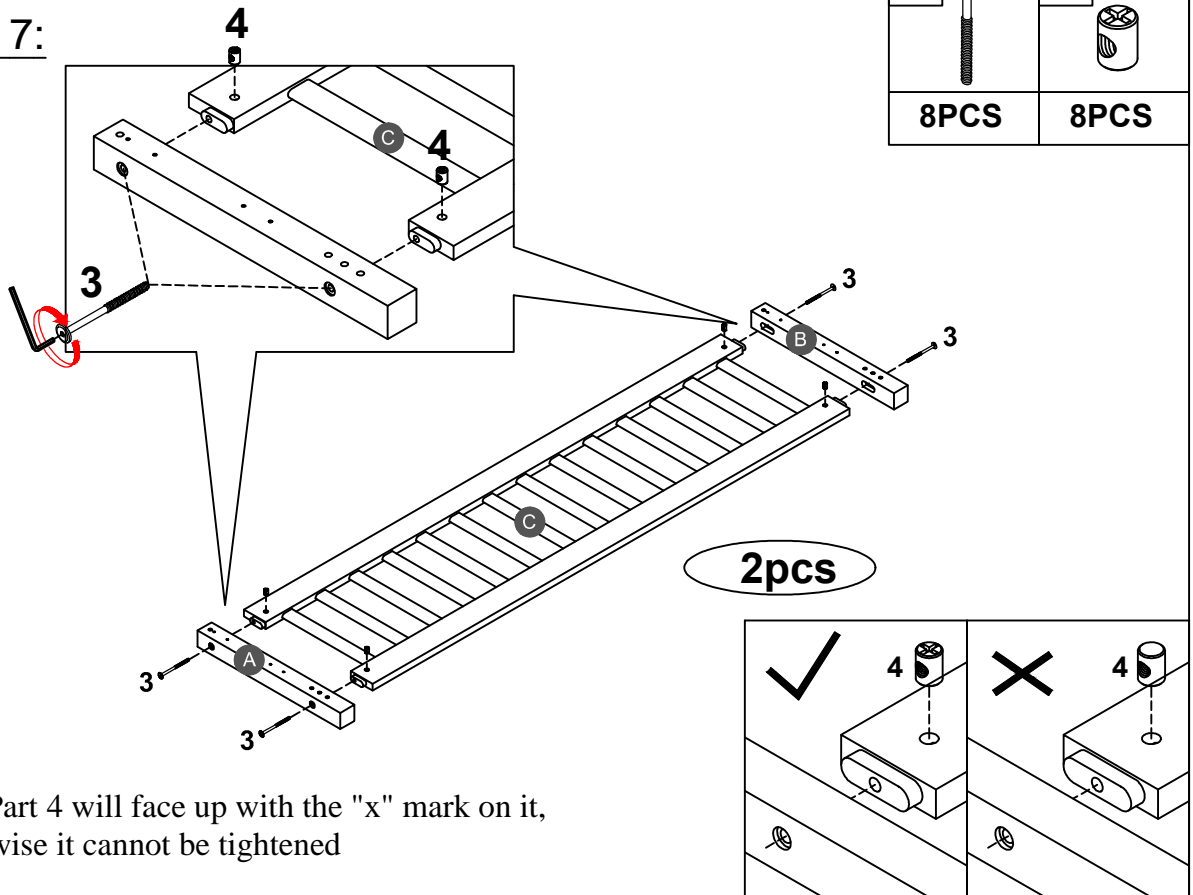


STEP 6:

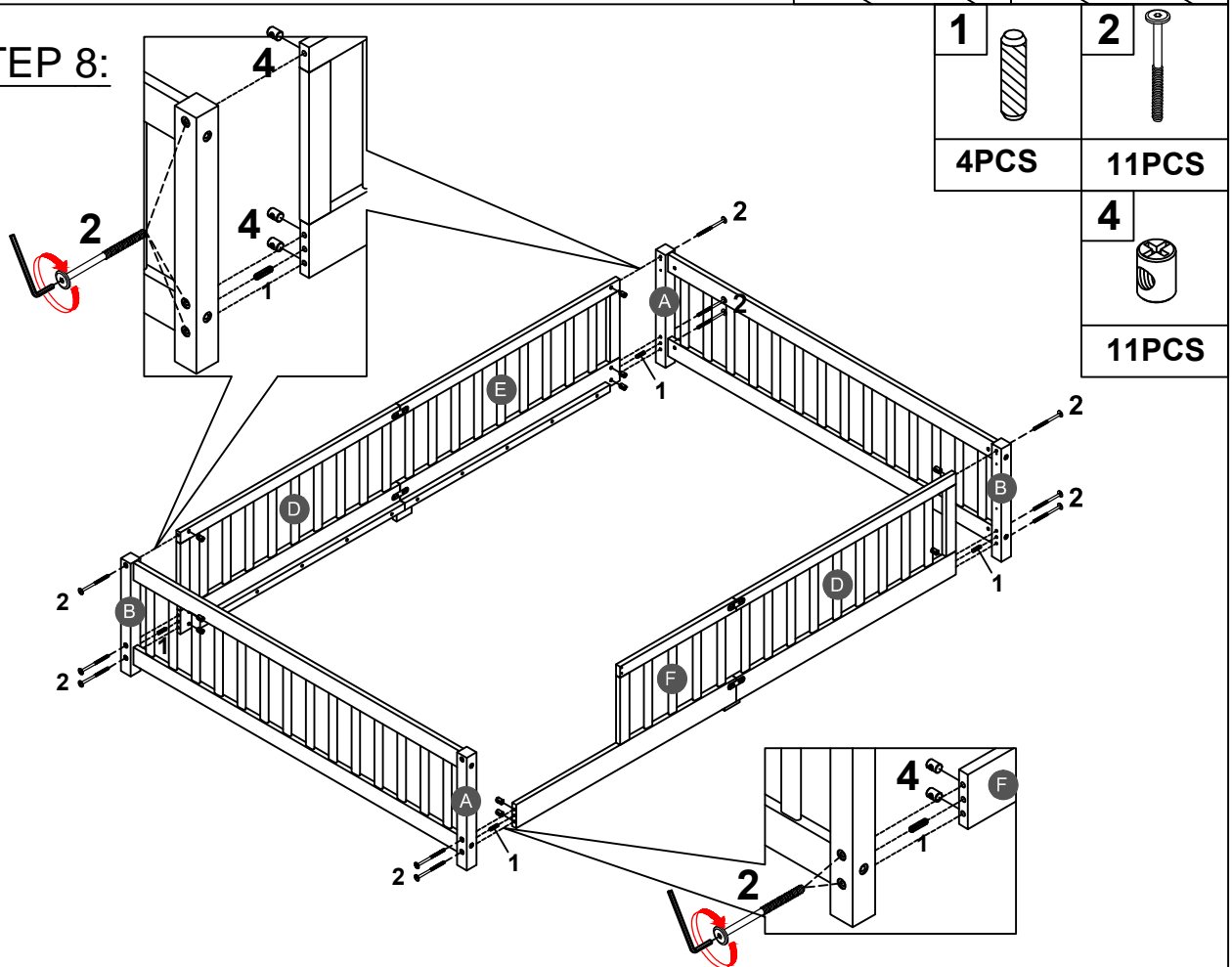
| | |
|---|---|
| 8  | 9  |
| 8PCS | 2PCS |



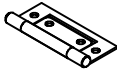

STEP 7:

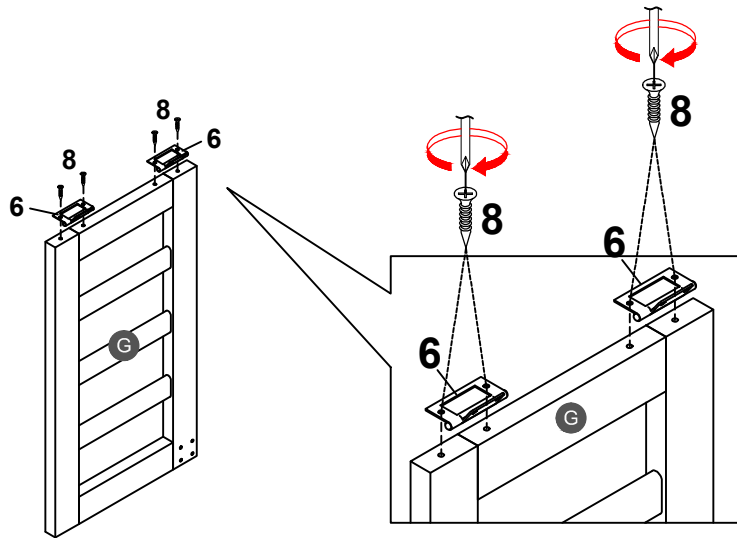


STEP 8:




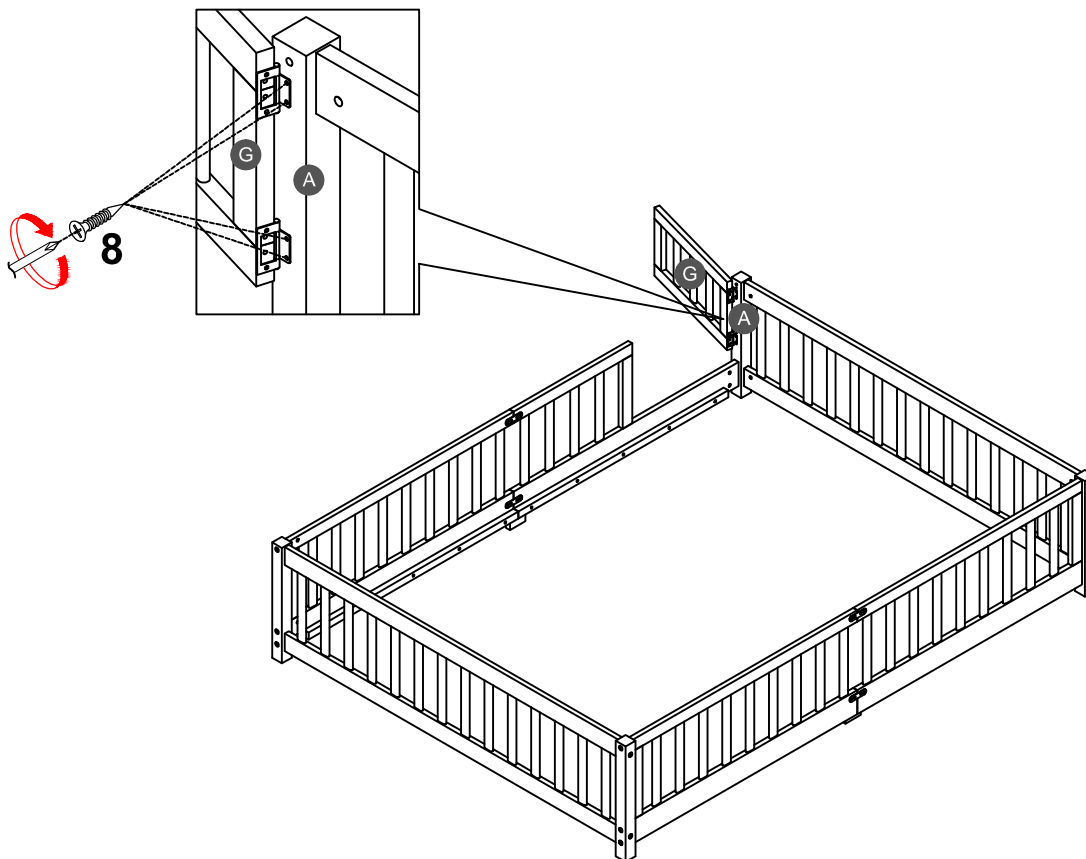
STEP 9:

| | |
|---|---|
| 6  | 8  |
| 2PCS | 4PCS |

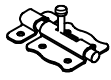



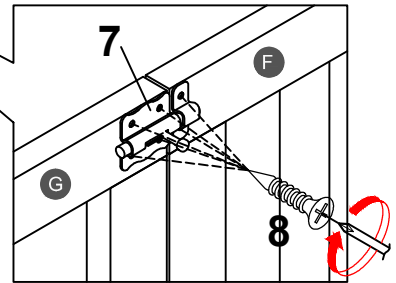
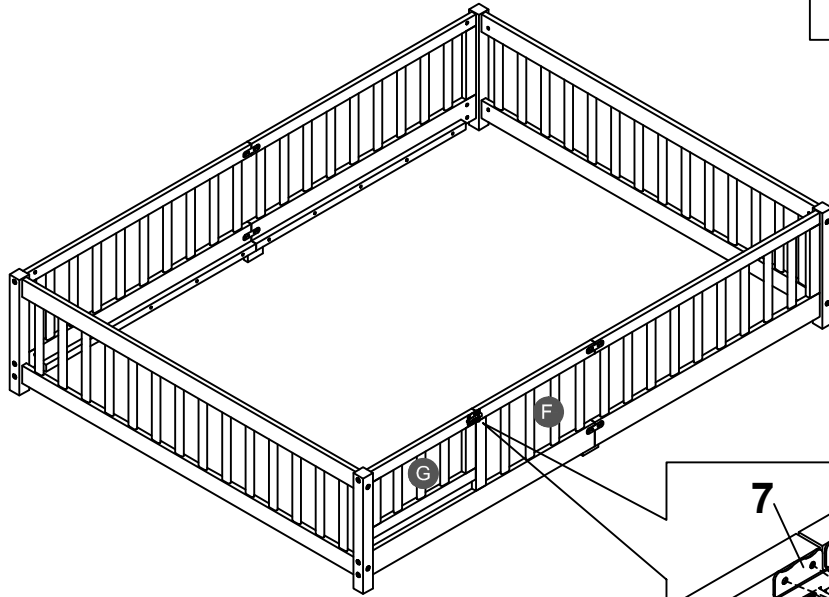
STEP 10:

| |
|---|
| 8  |
| 4PCS |




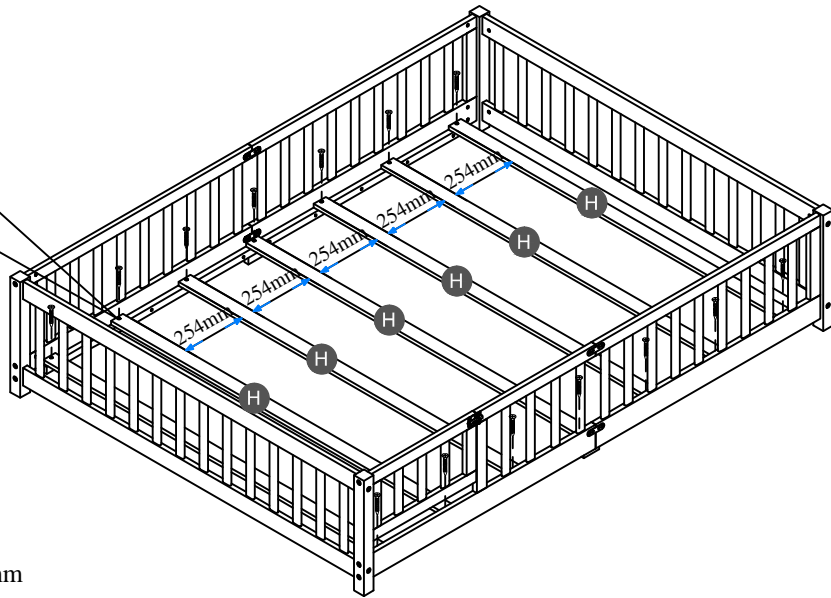
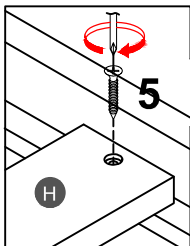
STEP 11:

| | |
|---|---|
| 7 | 8 |
|  |  |
| 1PC | 6PCS |

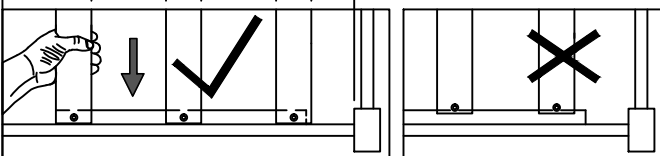


STEP 12:

| |
|---|
| 5 |
|  |
| 14PCS |



(9.2") 234mm (9.2") 234mm (2.8") 70.5mm



Note: Do not lock the screws of the bed slats to the outermost edge of the bed slats, you need to leave a certain space at the edges, otherwise it will cause the board to break. Do not lock the bed slats on the edge of the wood, please hold firmly before screwing, hold it in place with one hand, then lock the screw.