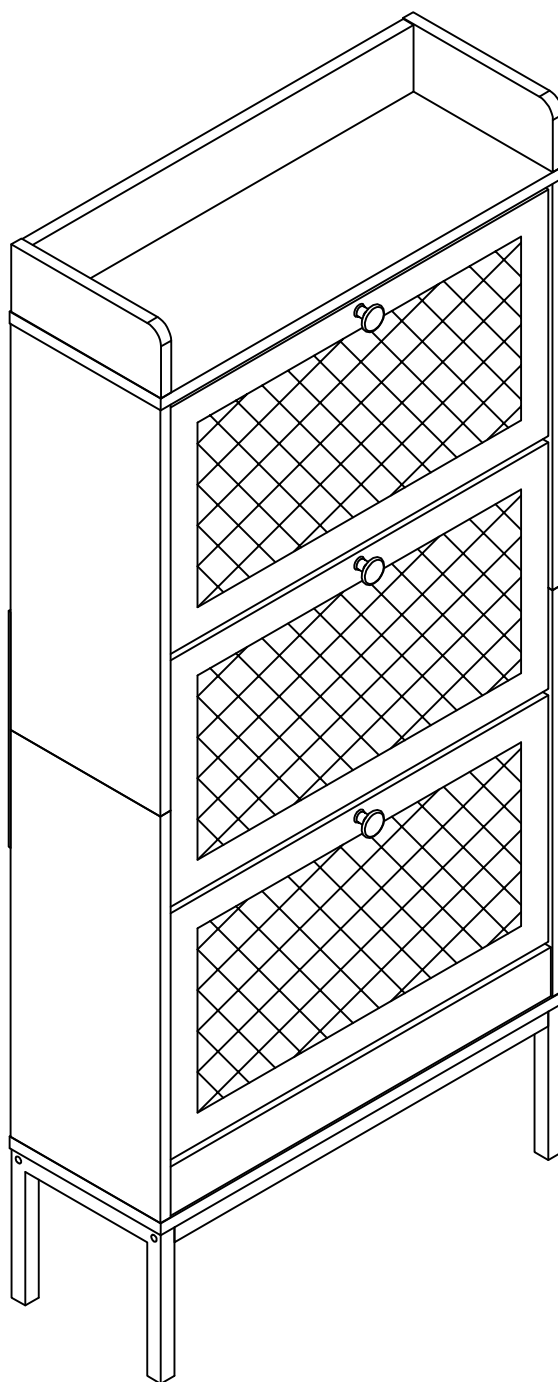
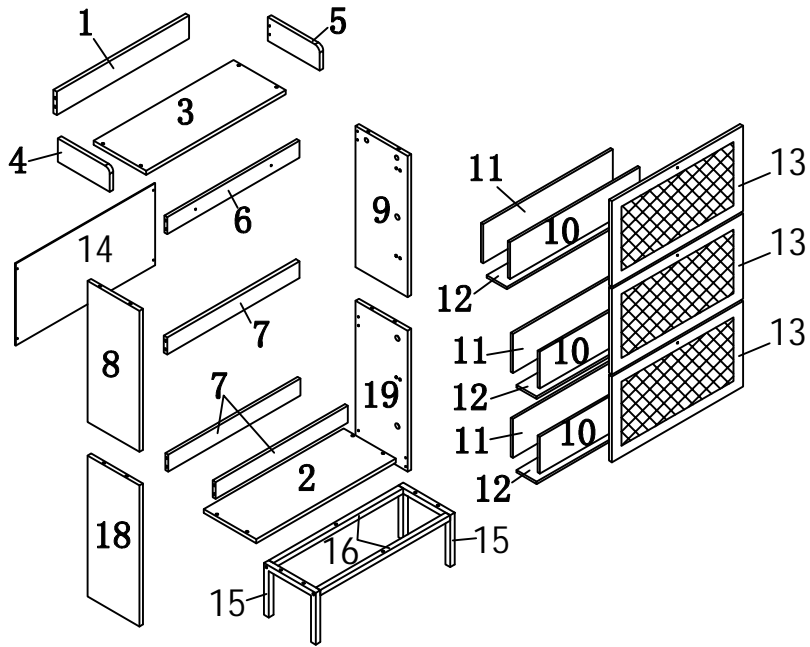
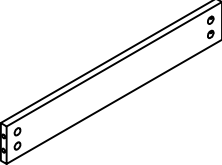
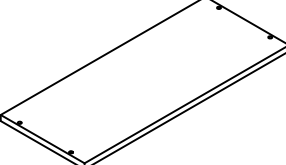
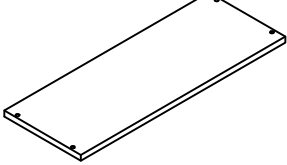
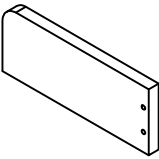
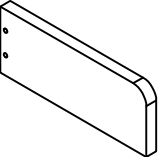
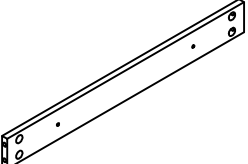
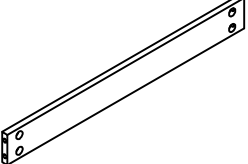
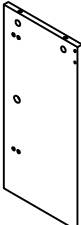
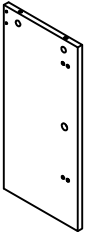
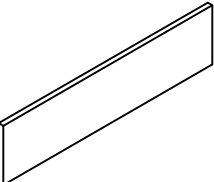
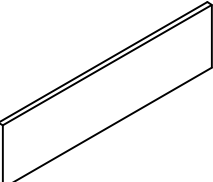
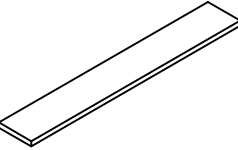
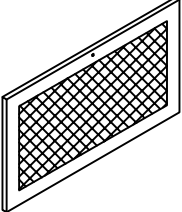
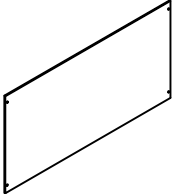
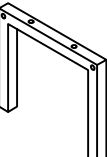
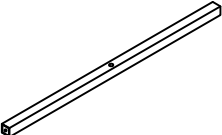
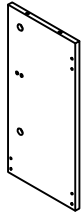
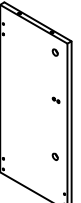



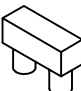
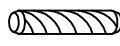
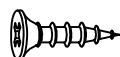
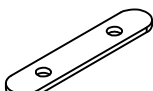
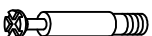


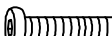
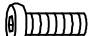
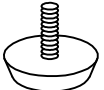
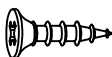
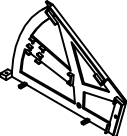
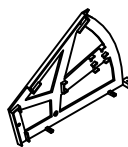



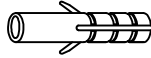
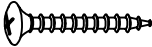
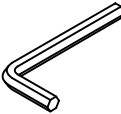
ASSEMBLY INSTRUCTION



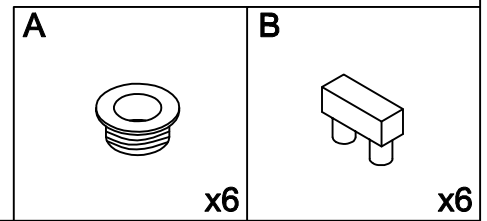
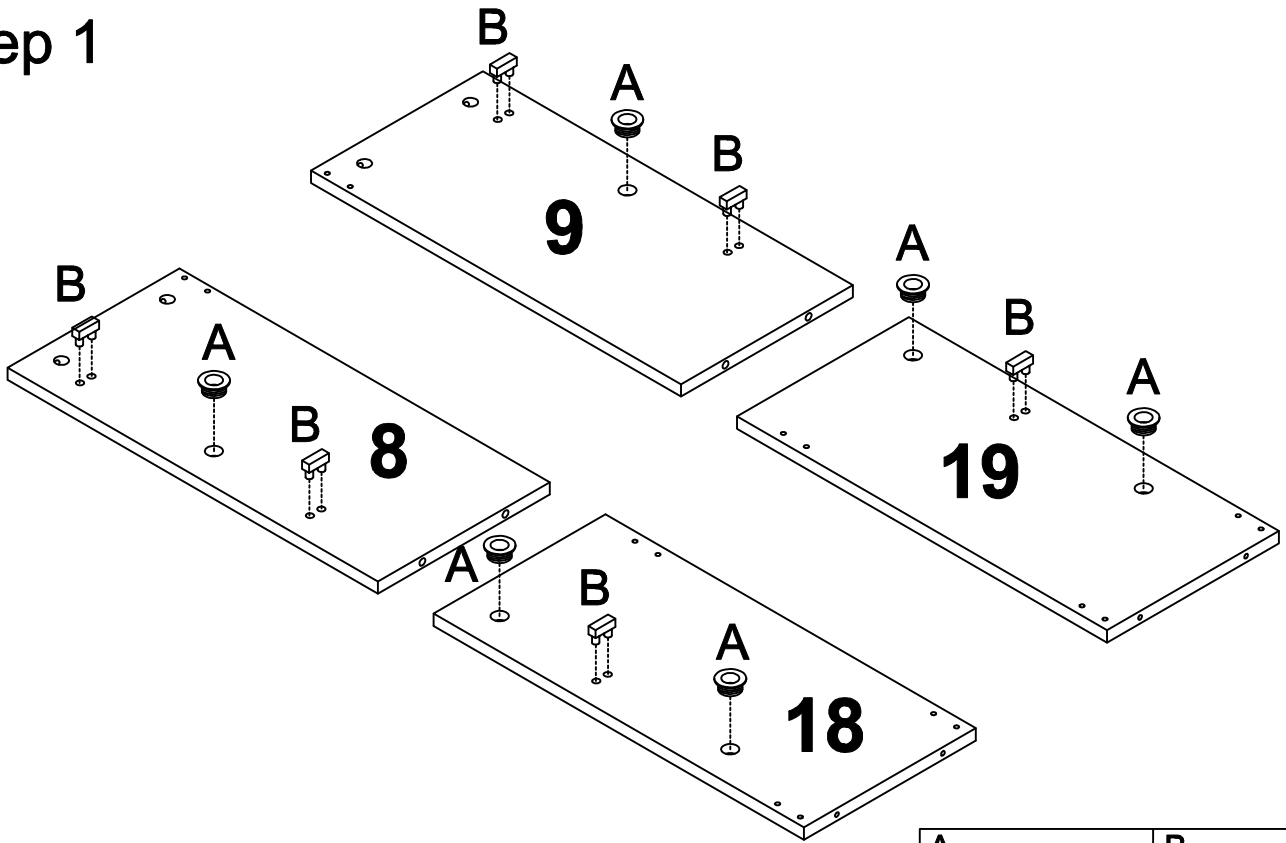


Packing List

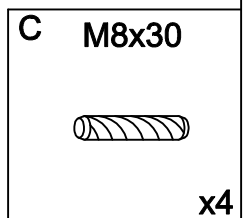
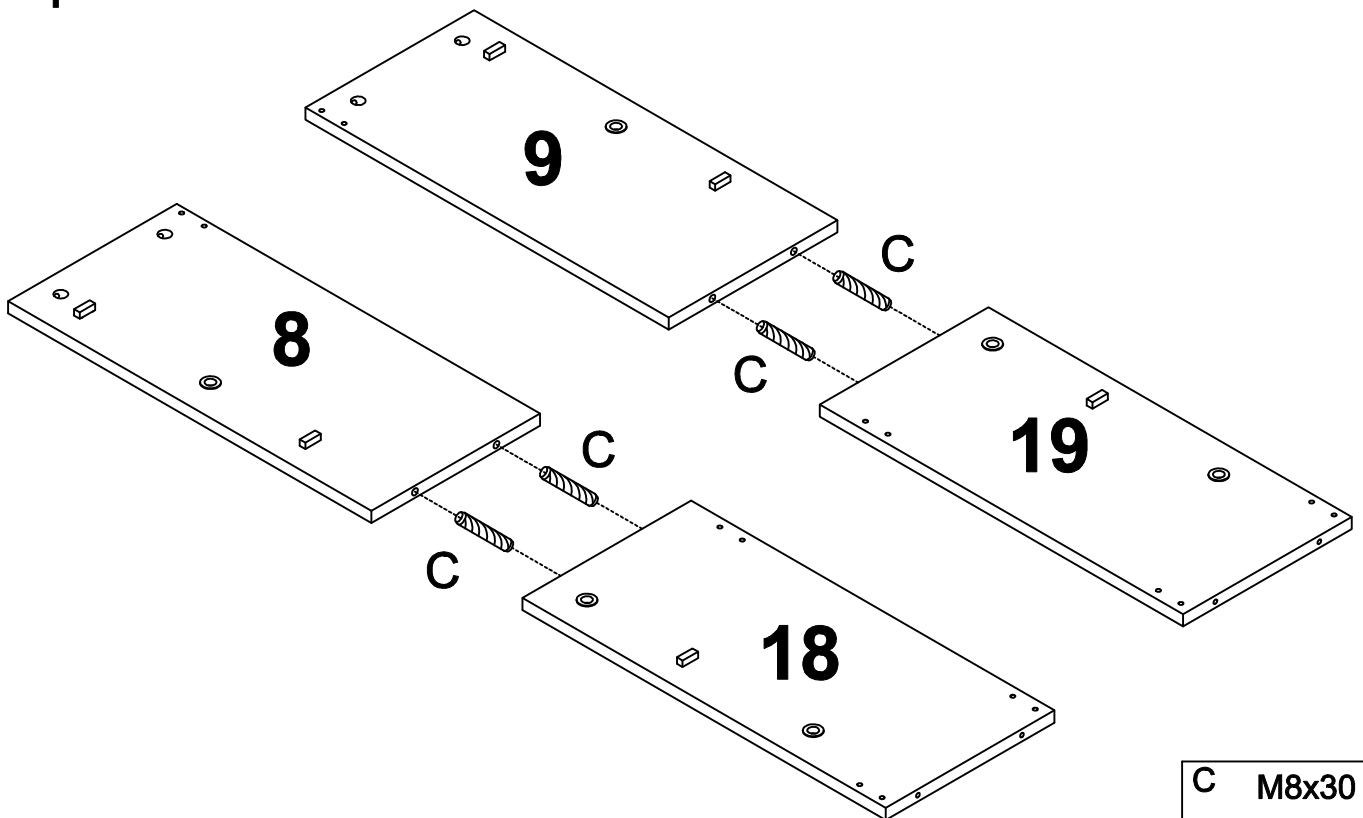
| | | | |
|---|---|--|---|
| 1  x1 | 2  x1 | 3  x1 | 4  x1 |
| 5  x1 | 6  x1 | 7  x3 | 8  x1 |
| 9  x1 | 10  x3 | 11  x3 | 12  x3 |
| 13  x3 | 14  x1 | 15  x2 | 16  x2 |
| 18  x1 | 19  x1 | | |

| | | | | |
|---|--|---|--|---|
| A  x6 | B  x6 | C M8x30  x4 | D M3x14  x26 | E  x4 |
| F  x24 | G  x24 | H M7x50  x8 | I M6x45  x4 | J M6x30  x6 |
| K  x4 | L M4x14  x28 | M  x3 | N  x3 | O  x6 |
| P M4x20  x3 | Q  x3 | R  x2 | S M4x40  x2 | T  x1 |

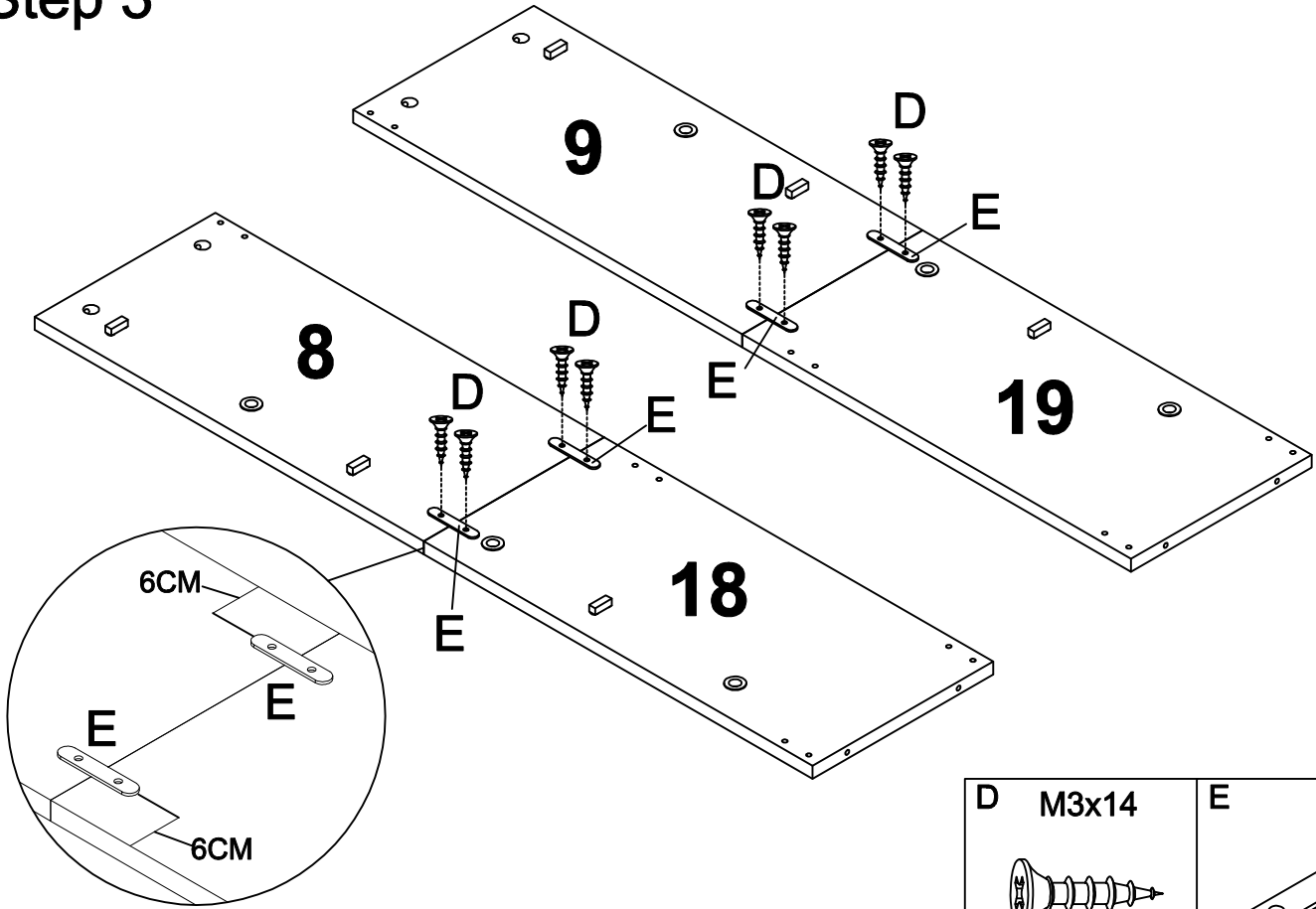
Step 1

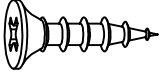
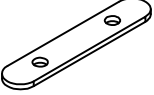


Step 2

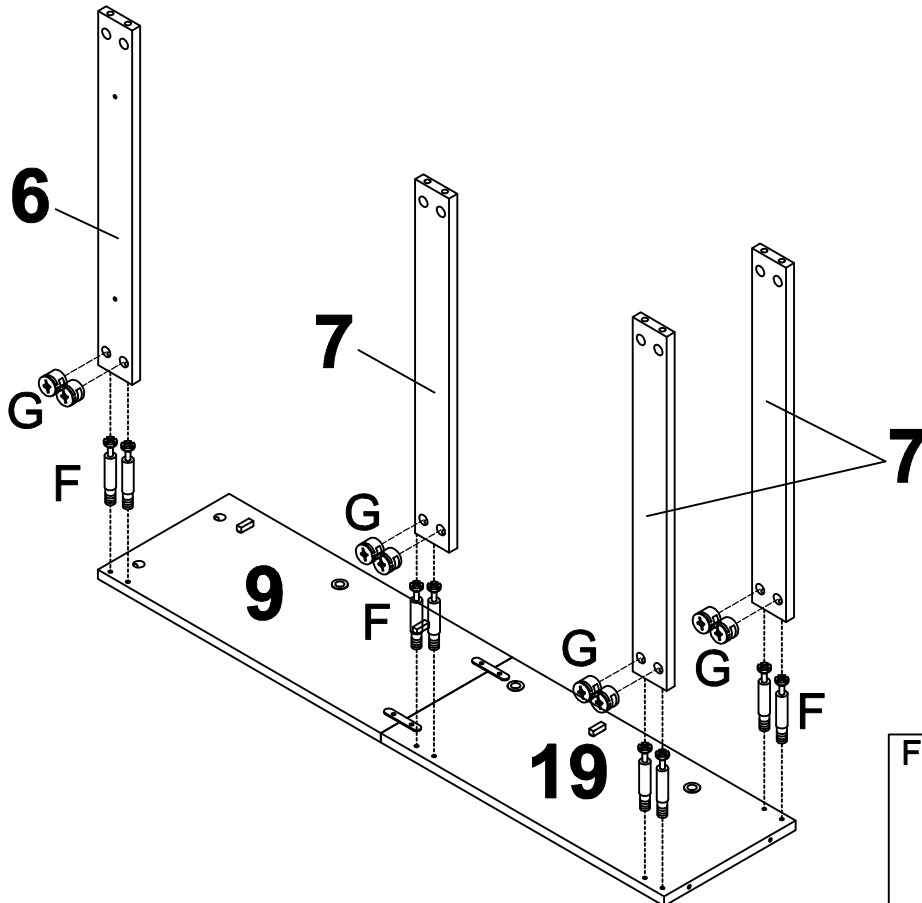


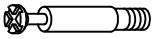

Step 3



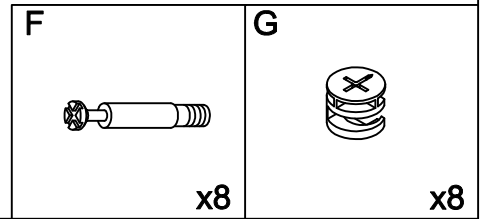
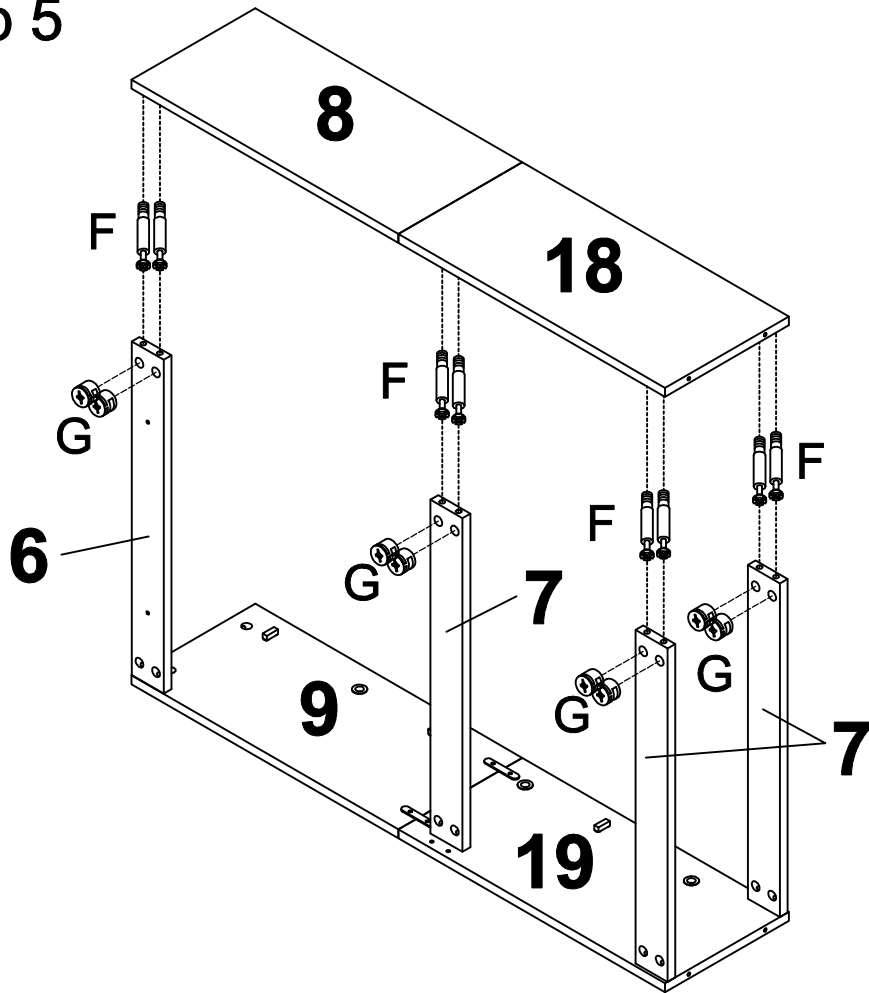
| | |
|--|--|
| D M3x14 | E |
|  |  |
| x8 | x4 |

Step 4

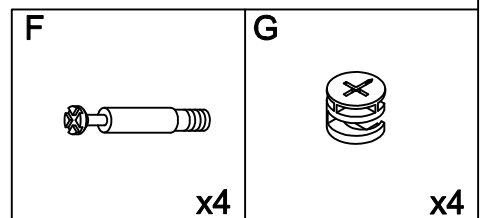
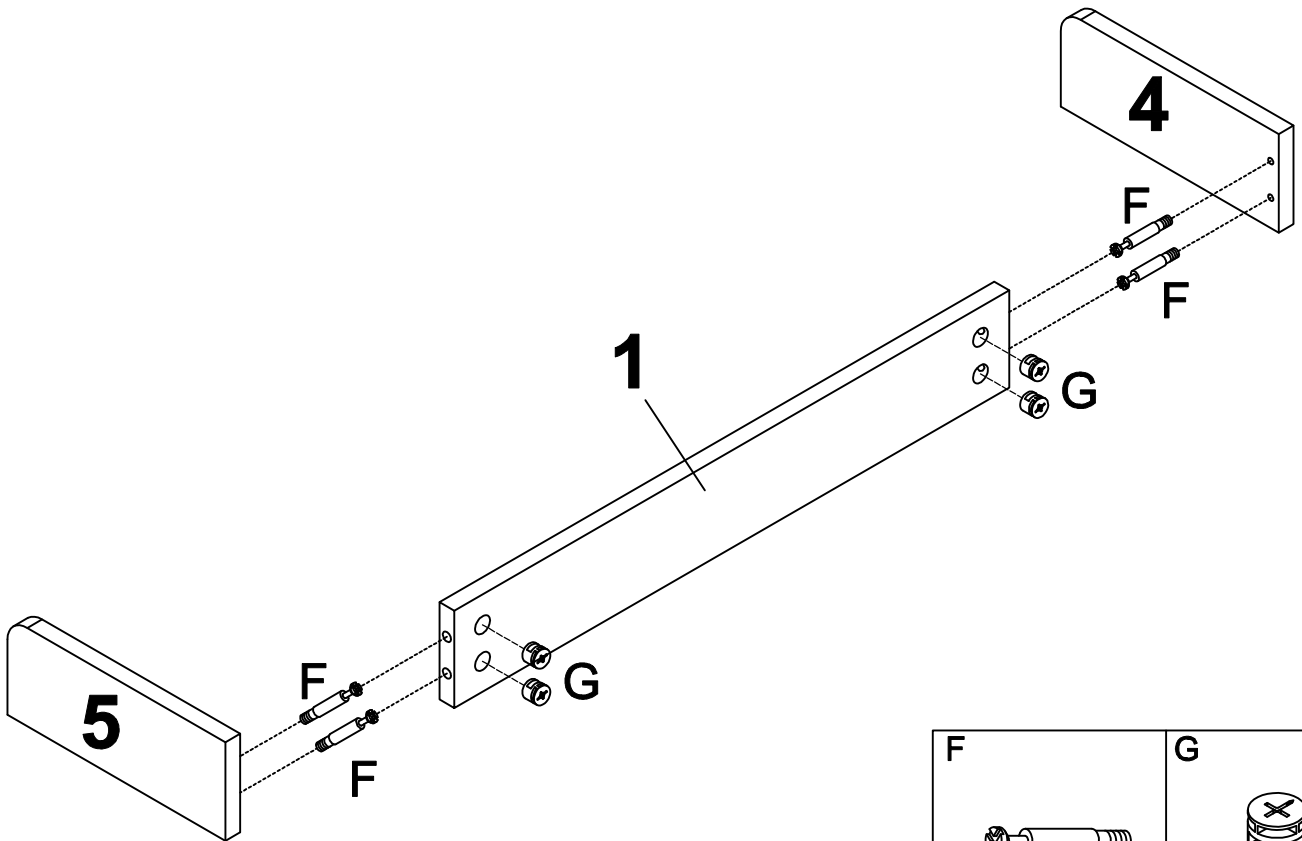


| | |
|---|---|
| F | G |
|  |  |
| x8 | x8 |

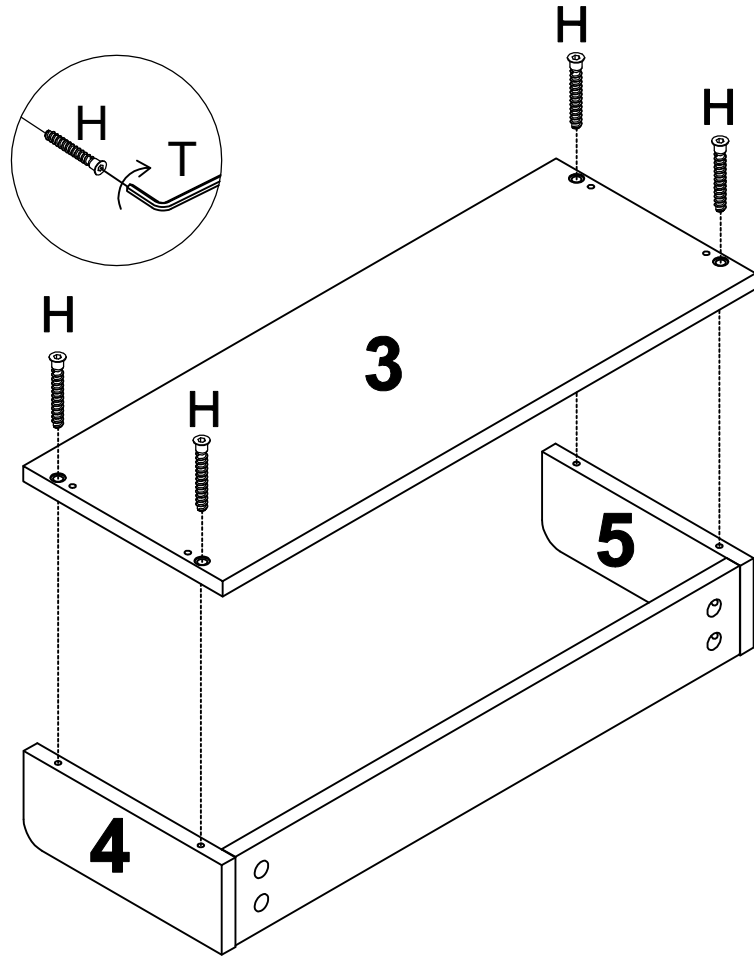
Step 5



Step 6



Step 7

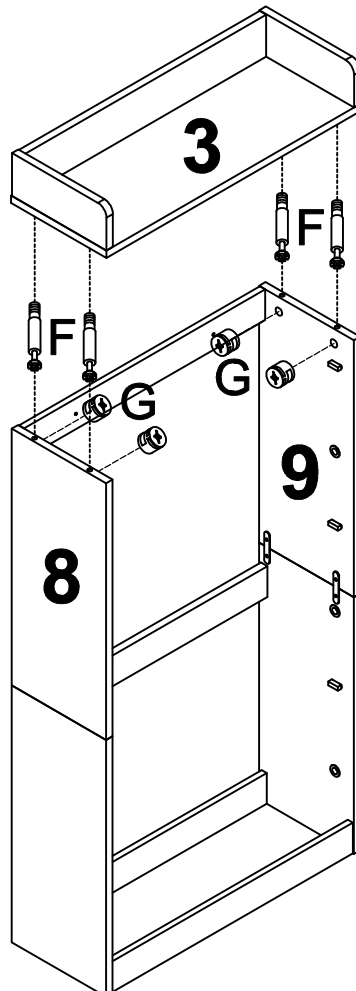


H M7x50

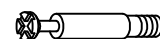


x4

Step 8



F



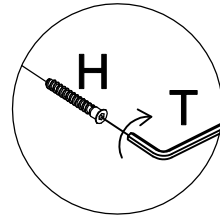
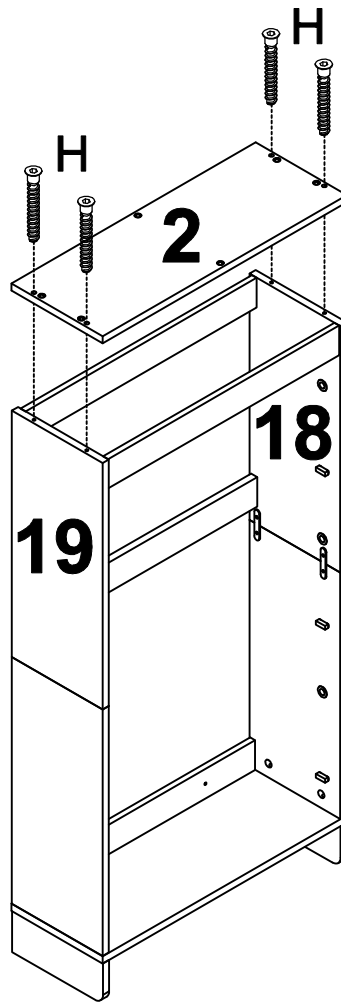
x4

G



x4

Step 9

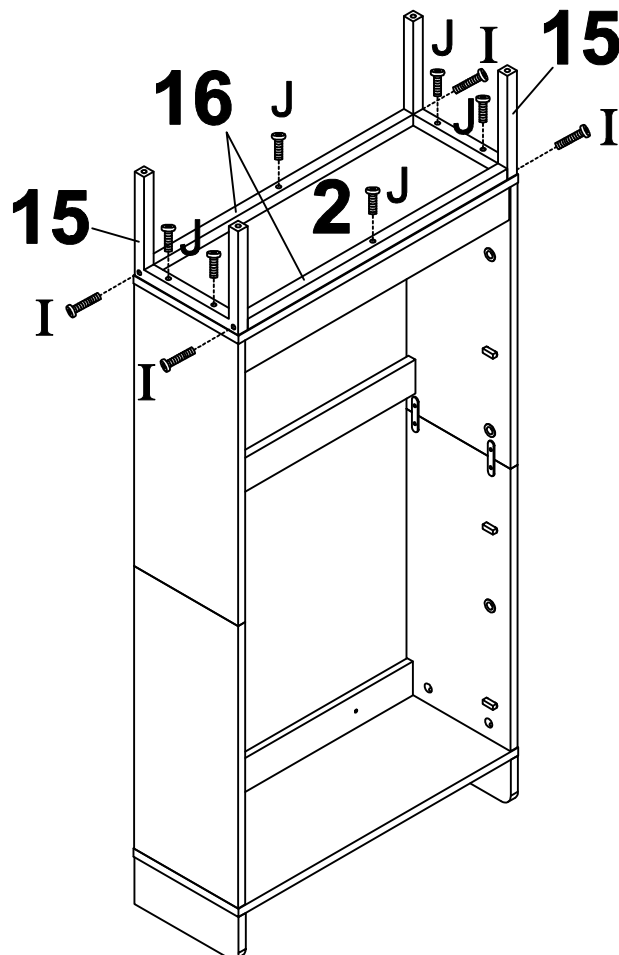


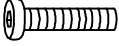
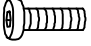
H M7x50



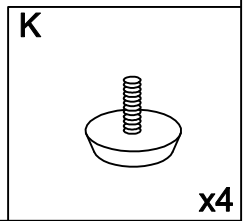
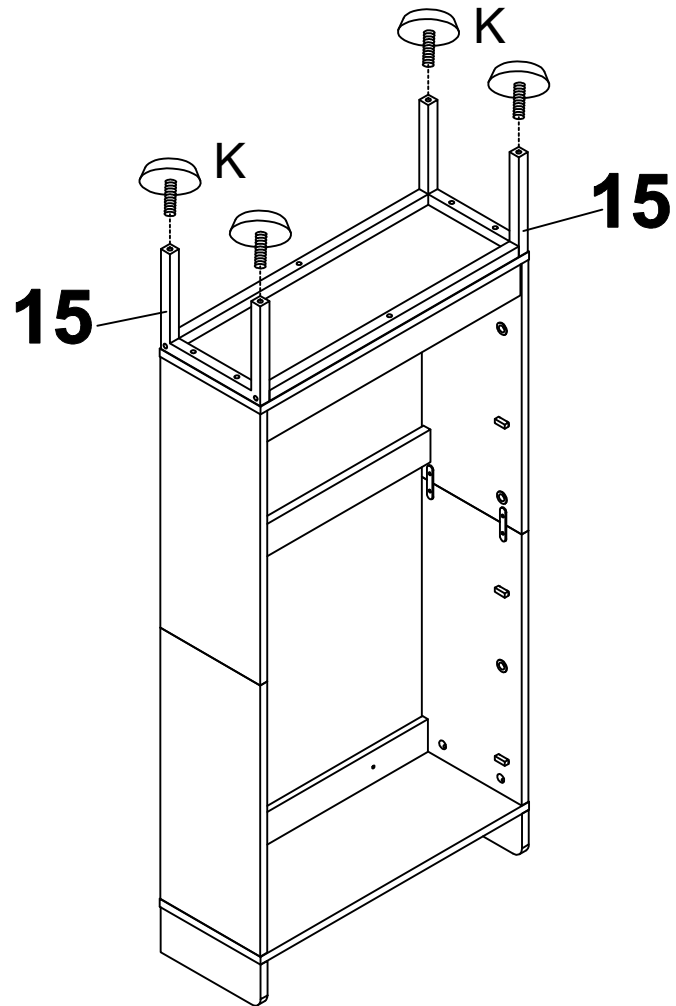
x4

Step 10

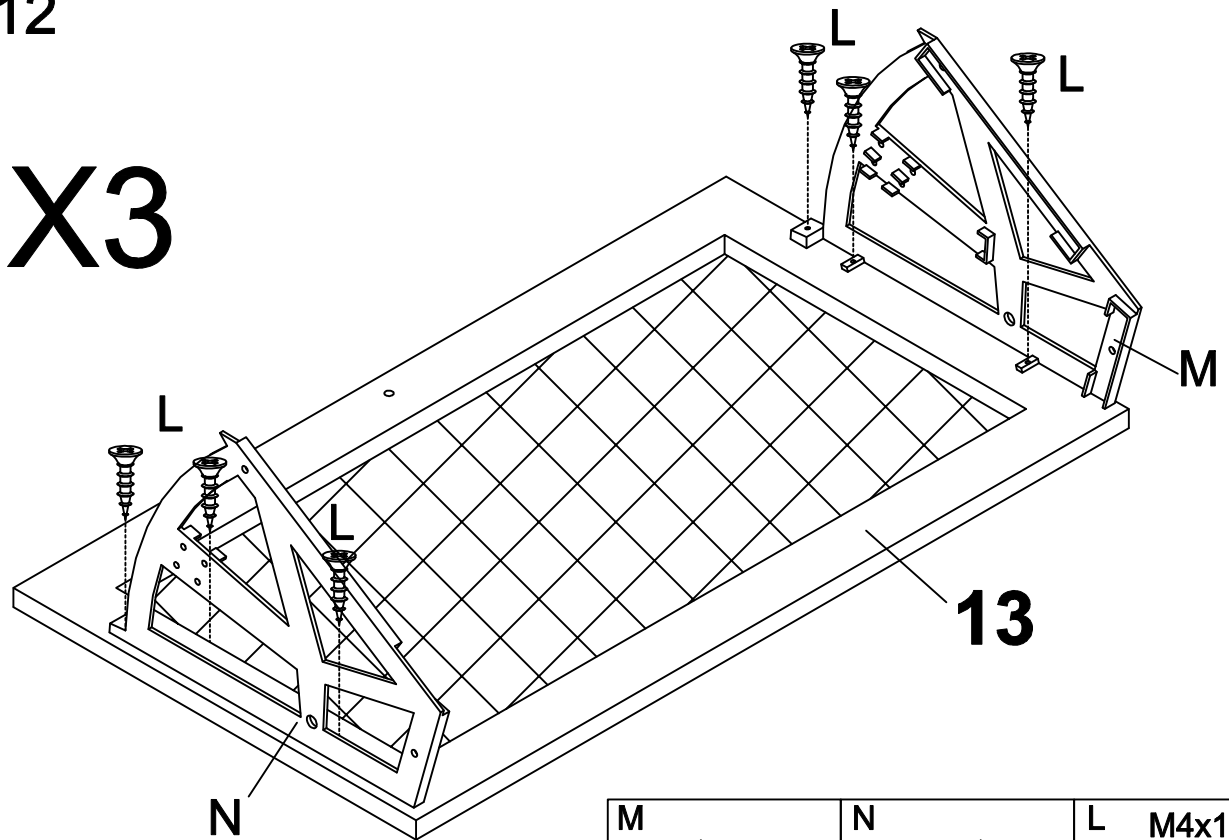


| | | | |
|----------|---|----------|---|
| I | M6x45 | J | M6x30 |
| |  | |  |
| | x4 | | x6 |

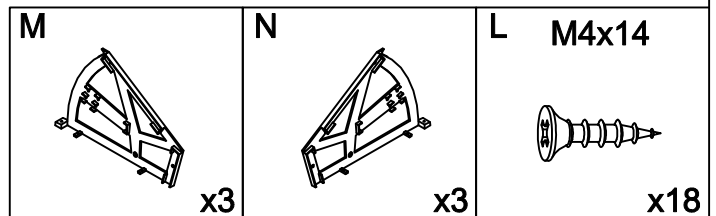
Step 11



Step 12

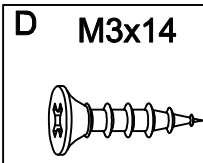
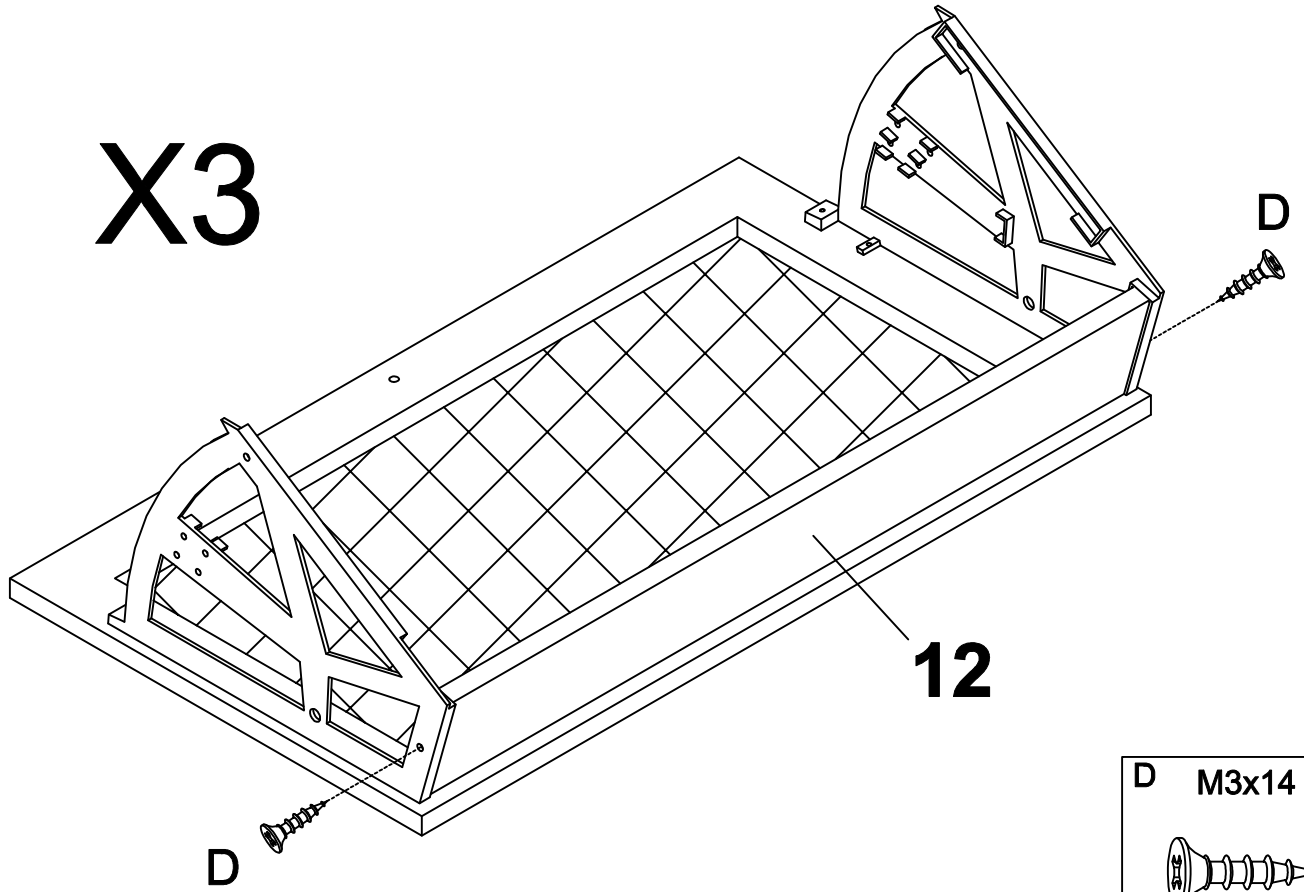


X3



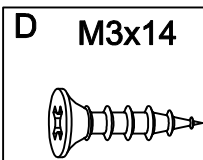
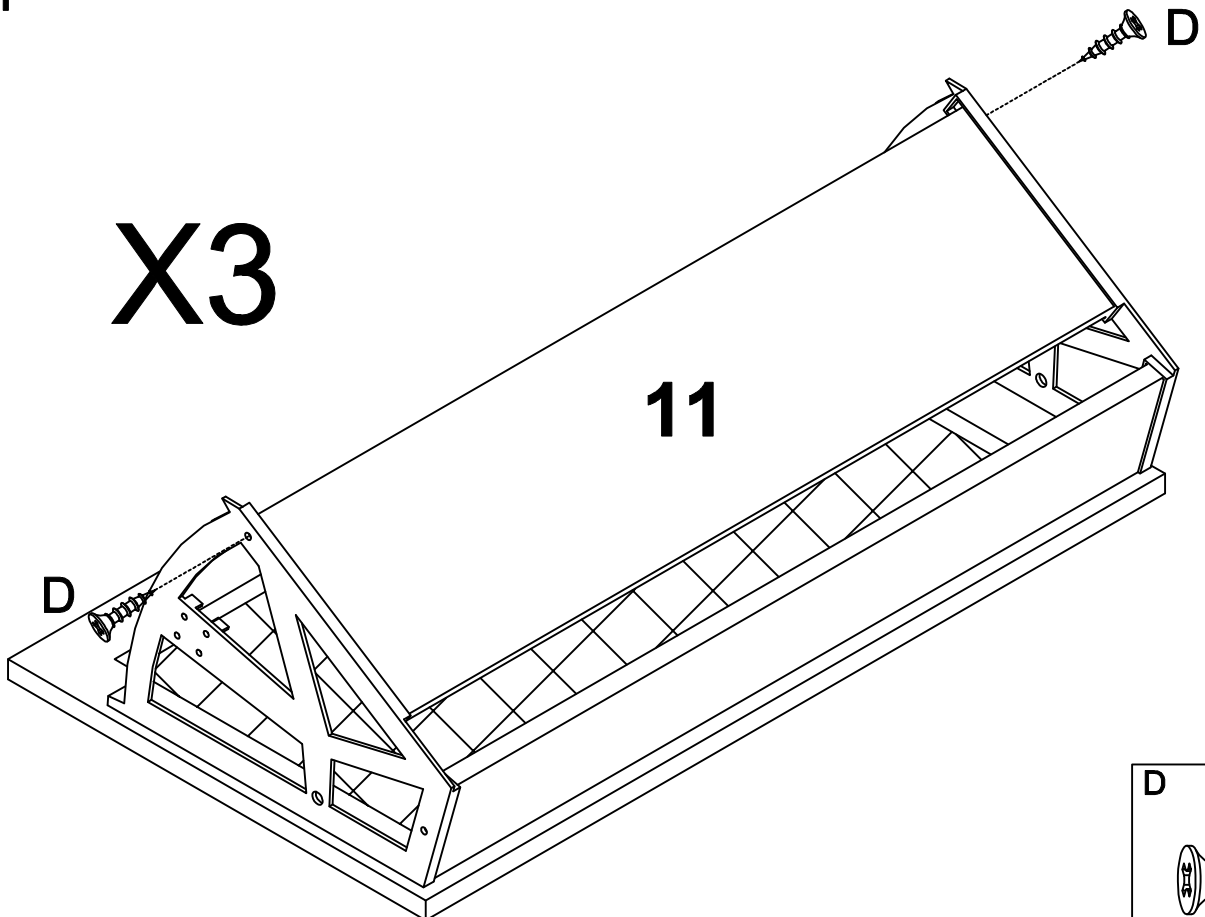
Step 13

X3



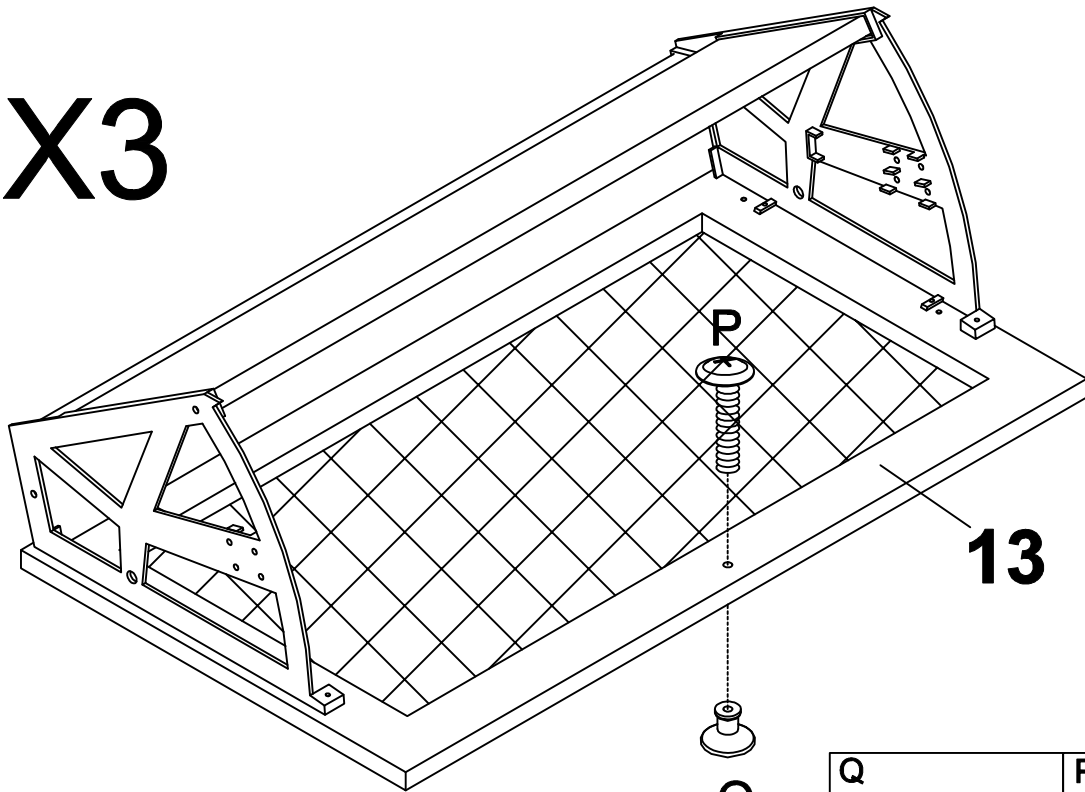
Step 14

X3




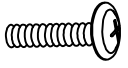
Step 15

X3



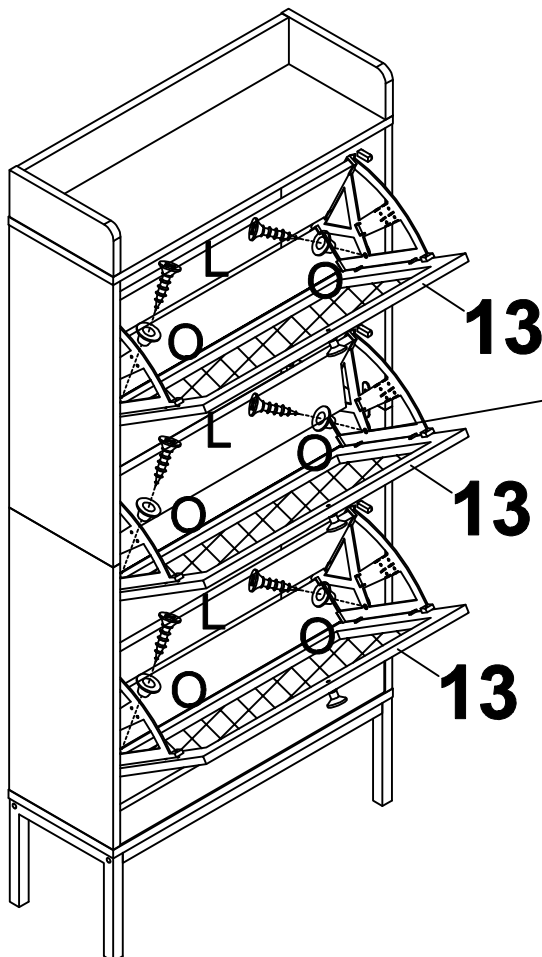
13

P
Q

| | |
|--|--|
| Q | P M4x20 |
|  |  |
| x3 | x3 |

Step 16

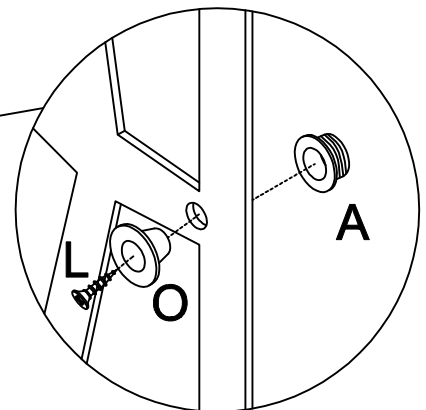
Put O parts firsty and then assemble L screws.

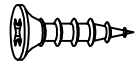



13

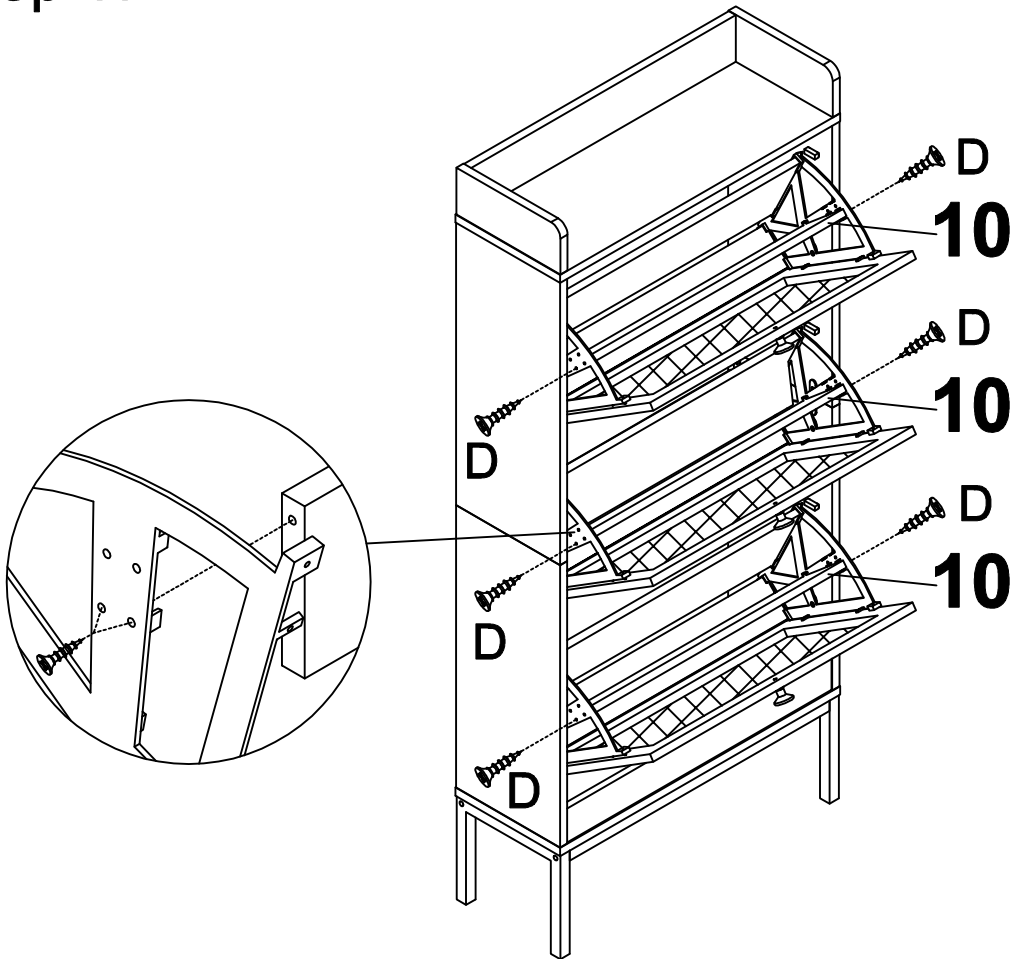
13

13

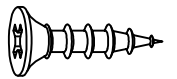


| | |
|---|---|
| L M4x14 | O |
|  |  |
| x6 | x6 |

Step 17

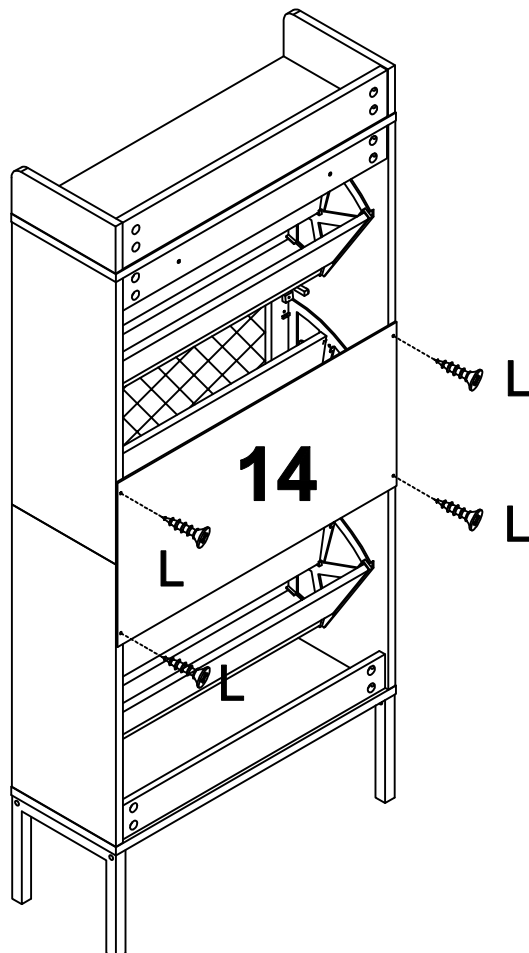


D M3x14

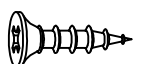


x6

Step 18

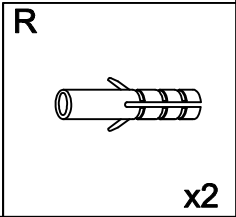
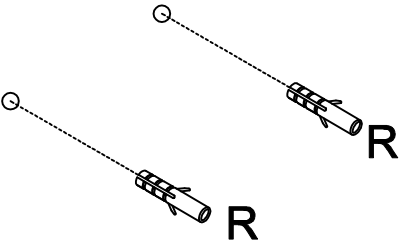


L M4x14

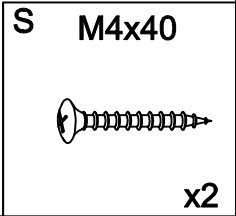
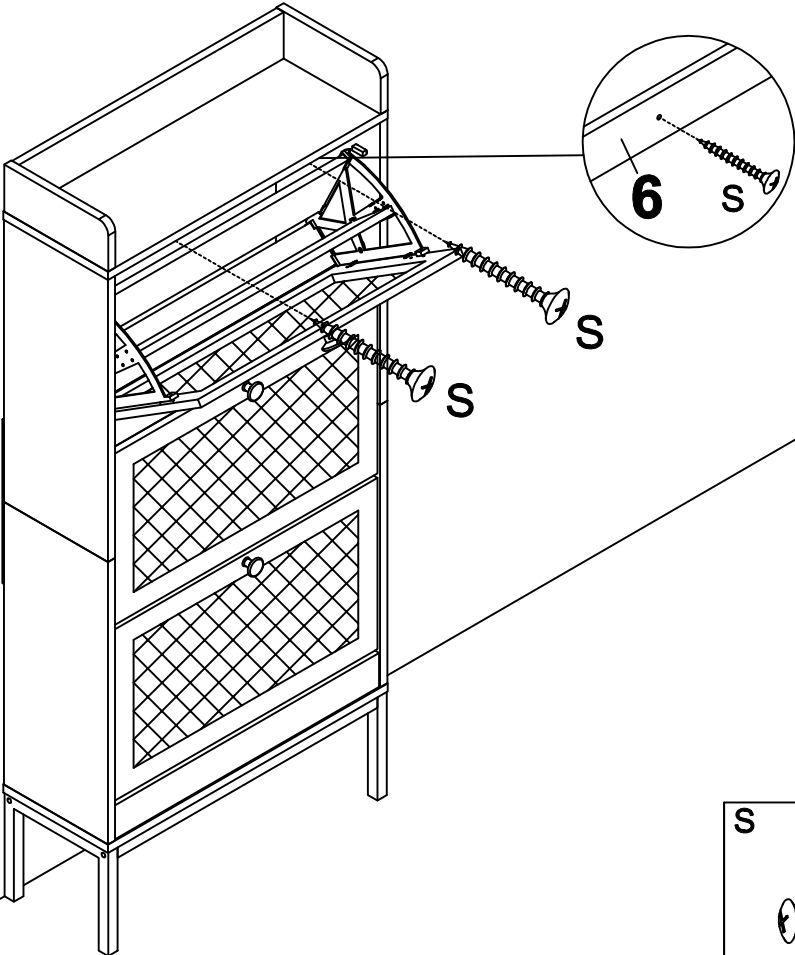


x4

Step 19



Step 20



Finish !!!

