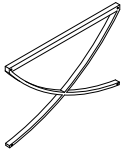
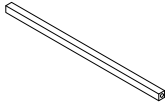
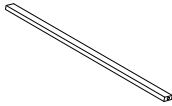
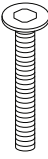
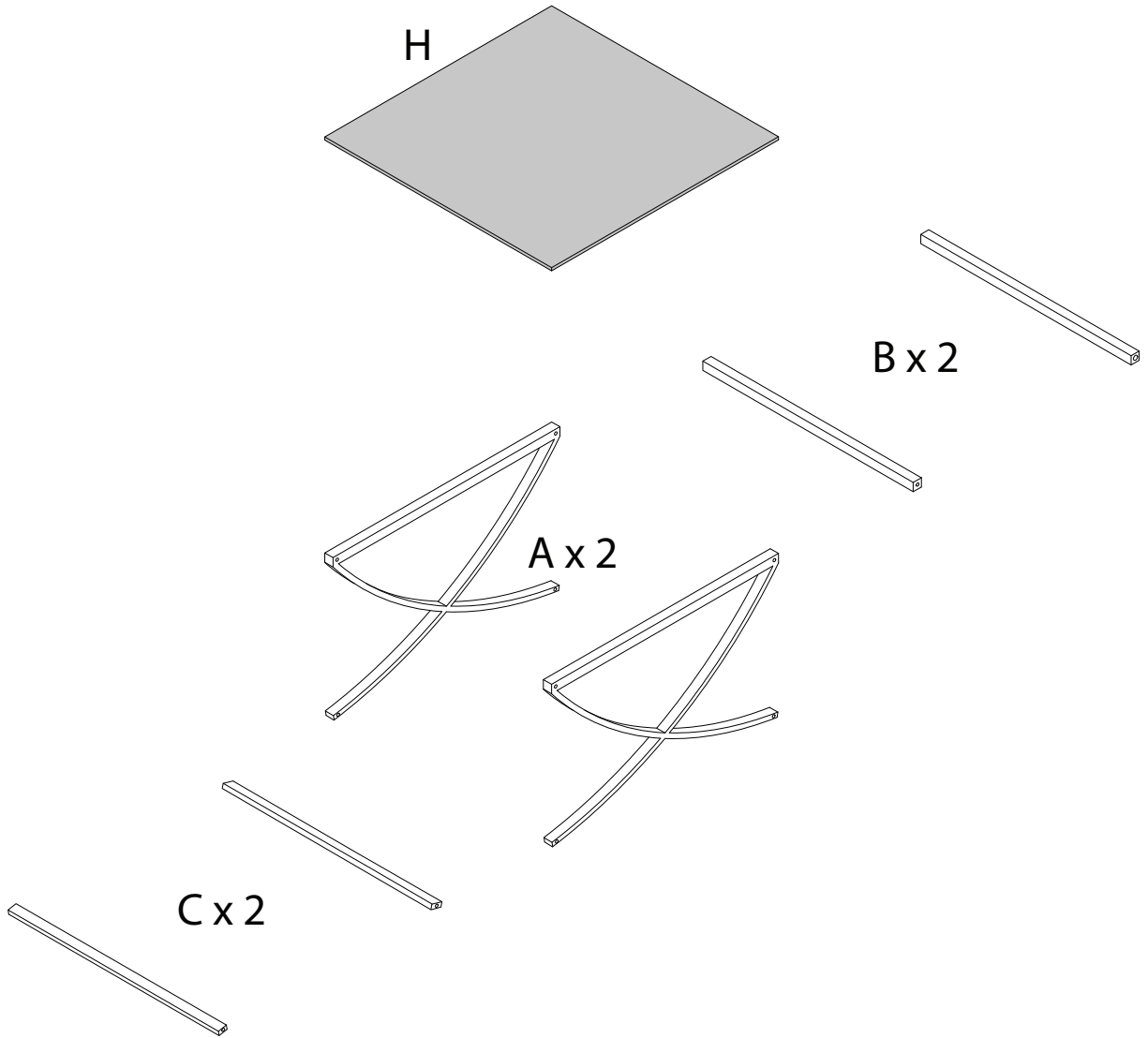

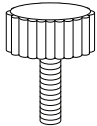

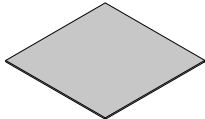


20'

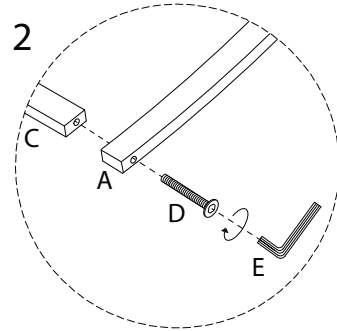
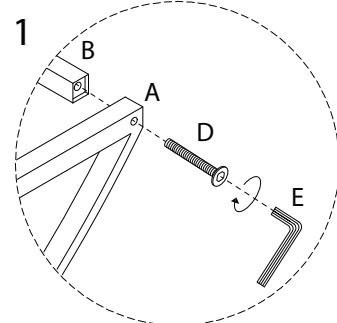
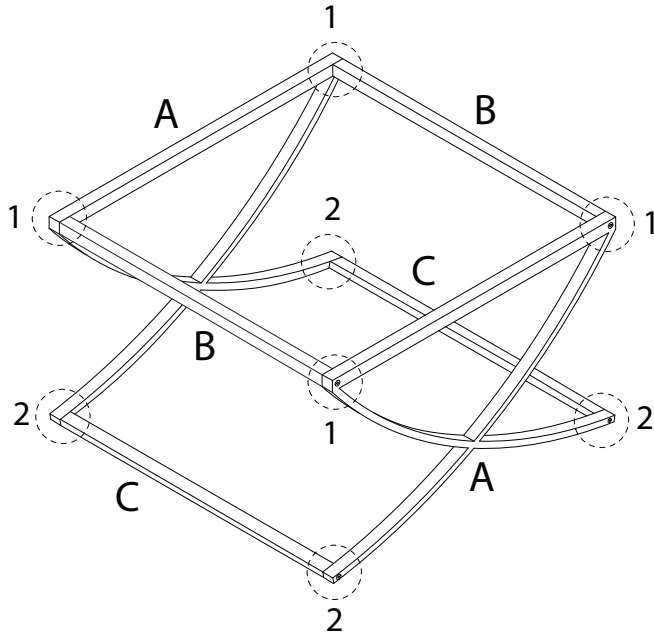
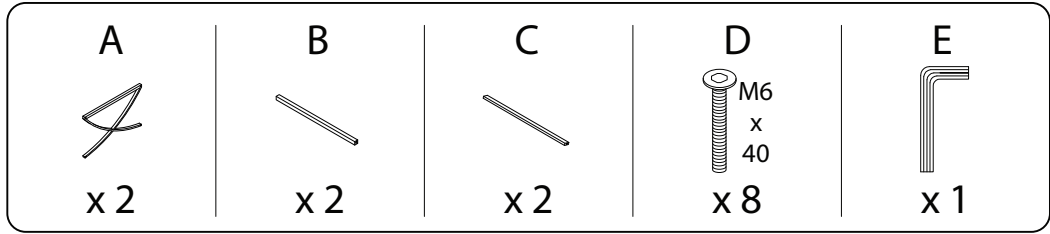
1

<p>A</p>  <p>x 2</p>	<p>B</p>  <p>x 2</p>	<p>C</p>  <p>x 2</p>	<p>D</p>  <p>M6 x 40</p> <p>x 8</p>
---	---	--	--

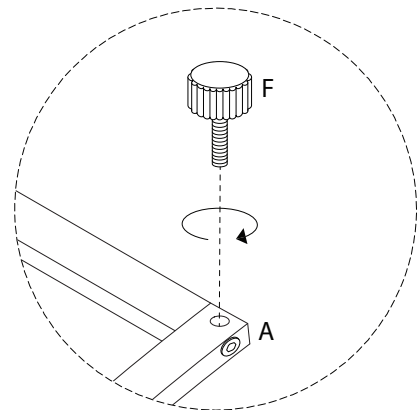
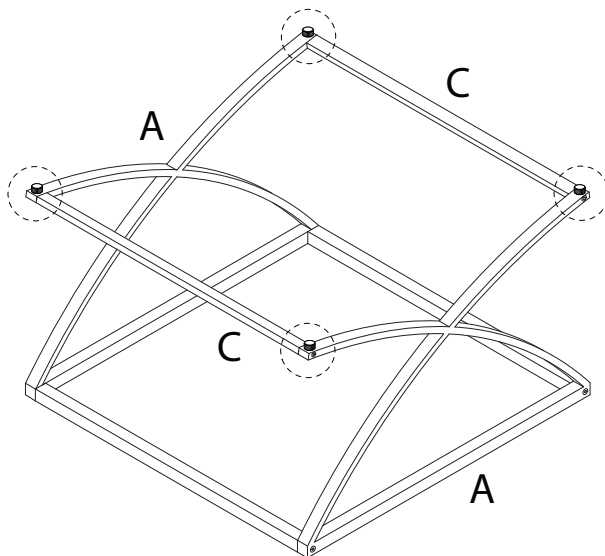
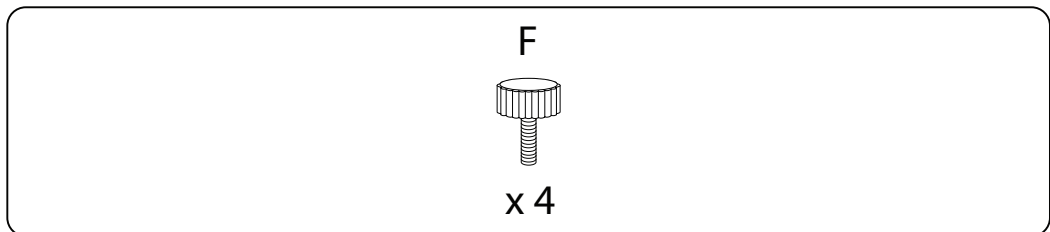


<p>E</p>  <p>x 1</p>	<p>F</p>  <p>x 4</p>	<p>G</p>  <p>x 4</p>	<p>H</p>  <p>x 1</p>
---	---	--	---

1



2

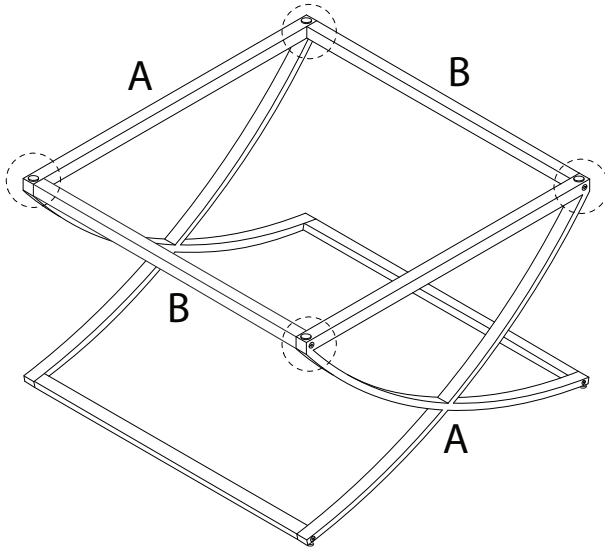


3

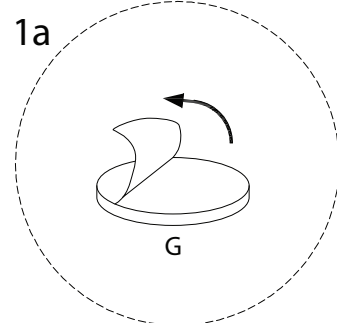
G



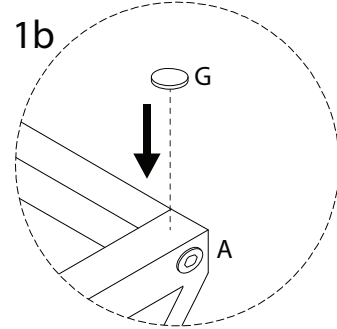
x 4



1a

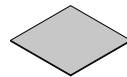


1b



4

H



x 1

