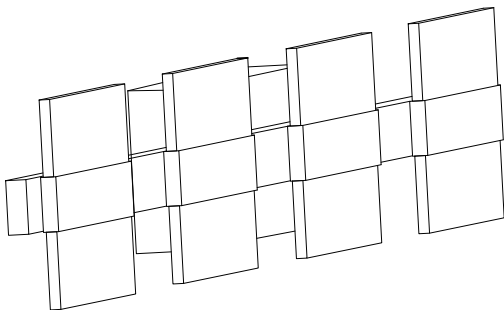


edishinē

Vanity Light

[Instruction Manual]



Please pay attention to the warning signs
Read the instructions with caution before operating
and keep it properly

V50617

Warning:

Risk of fire. Min 75°C supply conductors. Consult a qualified electrician to ensure correct installation. Before installation, please turn off the main power of the circuit breaker to prevent possible electric shock.

Installation Instructions

FIG.1. Turn the wall switch to the "OFF" position.

Depending on which type of fuse box in your home:

FIG.2. Either turn the main (Master) switch to the "OFF" position to cut off the power supply of the entire home, or turn off the individual switch that supplies power to where the fixture will be installed.

OR

FIG.3. Either turn the main (Master) switch to the "OFF" position to cut off the power supply of the entire home, or unscrew the fuse that supplies power to where the fixture will be installed.

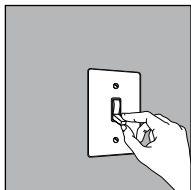


FIG.1 WALL SWITCH

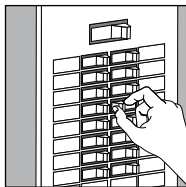


FIG.2 BREAKER PANEL

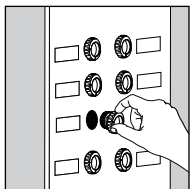
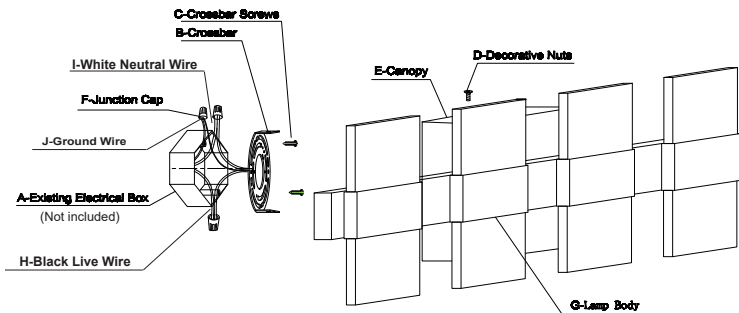


FIG.3 FUSE BOX

Lighting Fixture Installation



1. Take out all the parts in the package and place them on a clean surface.
2. Unscrew decorative nuts(D), use crossbar screws(C) to connect crossbar(B) to existing electrical box(A).
3. Use junction caps(F) to connect the black wire(H) of the lamp body(G) to the black wire of the existing electrical box(A), connect the white wire(I) of lamp body to the white wire of the existing electrical box with junction caps, use junction caps to connect the ground wire(J) of the lamp body to the ground wire of the existing electrical box, use ground screw to connect ground wire of lamp body to crossbar. Carefully put the wire back into the existing electrical box(A).
4. Use decorative nuts(D) to install canopy(E) on crossbar(B).

Specifications

- Input Voltage: 120VAC 60Hz
- Max.load Power: **15.5W**

One Year Limited Warranty

Supported by our professional R&D team and QC team, we provide One Year Warranty for materials and workmanship from the purchase date. Please note that the warranty does not cover damage caused by personal misuse or improper installation.

Please attach your Order ID and Name so that our dedicated customer service team can help you better.



Made in China