







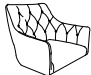




# ASSEMBLY INSTRUCTIONS

XA65362

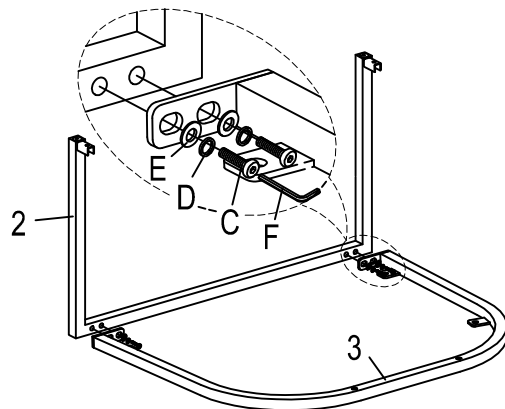
## HARDWARE LIST

NO.	SKETCH	DESCRIPTION	QTY
A		Bolt(1/4"x5/8")	2 PCS
B		Bolt(1/4"x1-1/2")	2 PCS
C		Bolt(1/4"x3/4")	8 PCS
D		Spring Washer(1/4")	8 PCS
E		Washer(1/4")	8 PCS
F		Allen wrench(4mm)	1 PC

## PARTS LIST

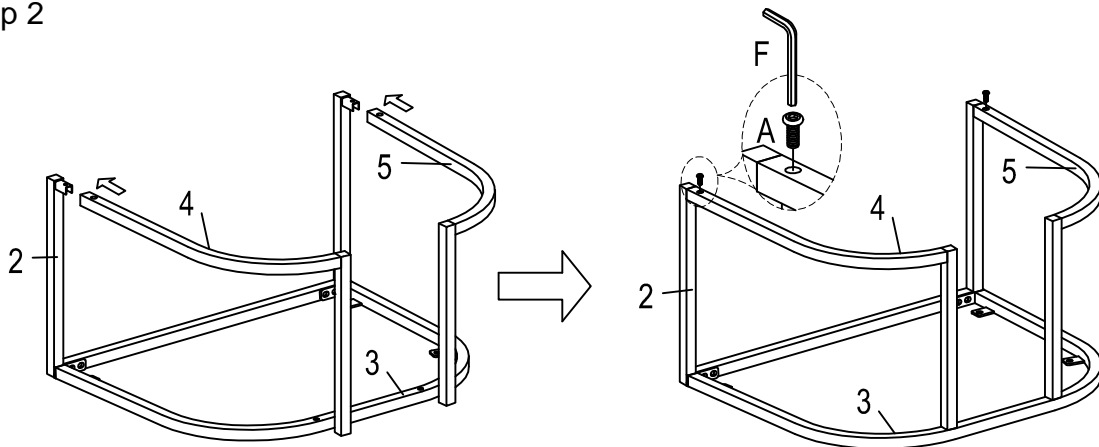
NO.	SKETCH	DESCRIPTION	QTY
1		Backrest	1 PC
2		Support Metal Tube	1 PC
3		Support Rail	1 PC
4		Left Side Tube	1 PC
5		Right Side Tube	1 PC

### Step 1



**Note: Do not fully tighten the bolts at this step.**

### Step 2

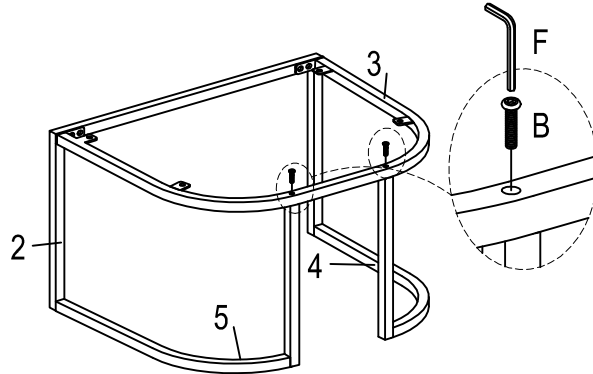


**Note: Do not fully tighten the bolts at this step.**

# ASSEMBLY INSTRUCTIONS

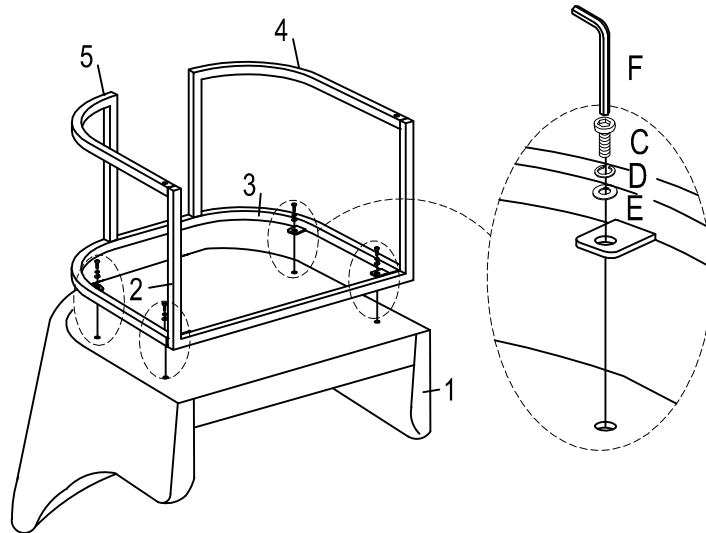
XA65362

Step 3

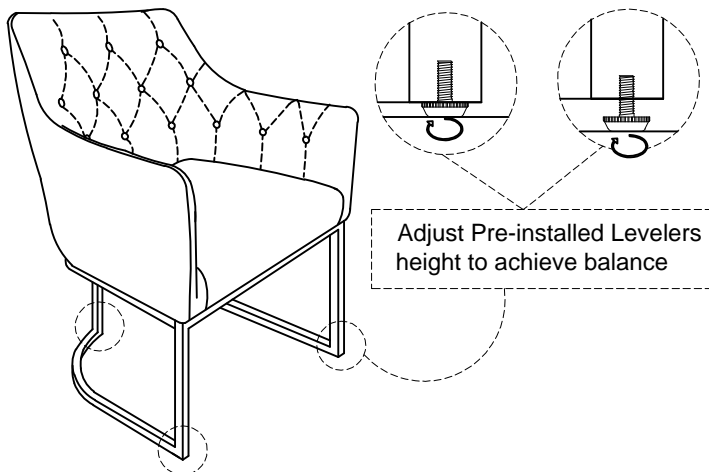


**Note: Fully tighten all bolts at this step.**

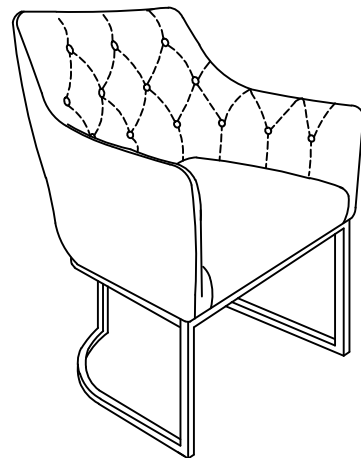
Step 4



Step 5



Step 6



**Note :It is recommended to tighten all bolts every 3 months.**