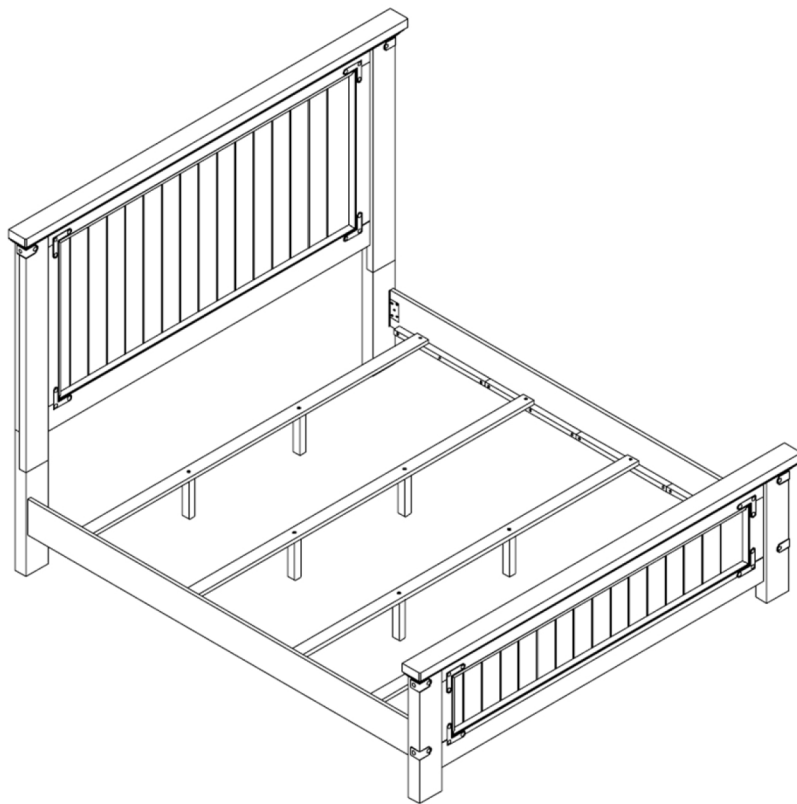


# Assembly Instructions



## ASSEMBLY RATING

The Assembly Rating is a 5-point system that shows the degree of effort needed in assembling a specific product (with 1 being easy and 5 being difficult). For some products, two persons are recommended.

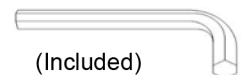
EASY



DIFFICULT

## Tools Required for Assembly:

Allen Wrench



(Included)

Phillips Screwdriver



(not Included)



2 PERSONS RECOMMENDED

# ASSEMBLY & CARE ADVICE

FOR YOUR FURNITURE TO LAST, CORRECT ASSEMBLY AND PROPER MAINTENANCE ARE NECESSARY. PLEASE FOLLOW THE INFORMATION PROVIDED BELOW TO FULLY ENJOY YOUR FURNITURE.

## BASIC ASSEMBLY TECHNIQUES



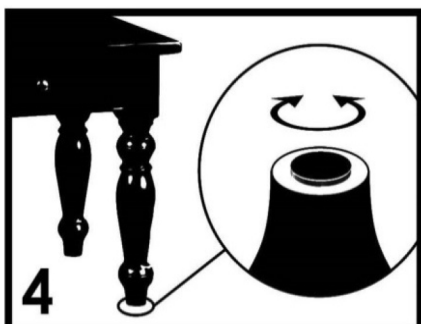
1 When lock or spring washer is used in an assembly, please make sure the lock or spring washer is placed between the larger flat washer and the head of the screw or bolt.



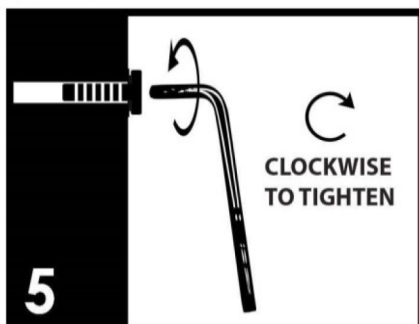
2 Position each part correctly and insert screws or bolts into their respective holes by hand tighten or using the proper hand tool. Only tighten when step is completed or when instructed to do so.



3 Use cardboard or carpet area when assembling furniture to prevent scratches. Make sure the furniture rests on a flat and level surface with each leg evenly touching the floor.



4 Some furniture comes with height adjustment knobs underneath each leg. To lower or to raise each leg, you need to turn clockwise or counterclockwise, respectively.



5 Make sure all parts are properly aligned, then use the appropriate hand tool to completely tighten the bolts or screws. Do not use power tools and do not overtighten.

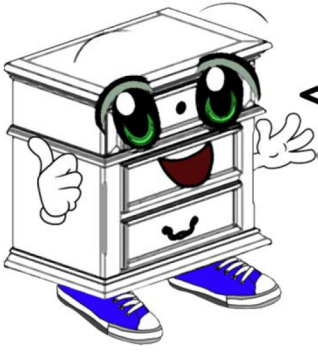


6 Save the instructions and store the Allen wrench or any supplied tool for later maintenance. After two weeks, check and tighten any loose hardware and repeat again every six months thereafter.

IT IS THE USER'S RESPONSIBILITY TO MAINTAIN THE FURNITURE. THE HARDWARE MAY LOOSEN OVER TIME AND MAY CAUSE THE FURNITURE TO BE WOBBLY AND UNABLE TO SUPPORT ITS INTENDED WEIGHT CAPACITY. THIS MAY LEAD TO COLLAPSE AND MAY CAUSE SERIOUS INJURY.



FAILURE TO FOLLOW THE GUIDELINES ABOVE MAY RESULT IN INJURY AND/OR PROPERTY DAMAGE.


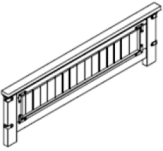






Before you begin, please read Page 2 of "Assembly and Care Advice".






And remember, do not tighten until each step is completed or instructed.

MD

### Parts List

-  #1 x 1 pc  
Headboard
-  #2 x 1 pc  
Footboard
-  #3 x 2 pcs  
Side Rail
-  #4 x 2 pcs  
Headboard Leg
-  #5 x 4 pcs  
Slat
-  #6 x 8 pcs  
Slat Support Leg

### Hardware List

-  #A x 8 pcs  
Bolt 1/4"x2"
-  #B x 8 pcs  
Lock Washer
-  #C x 8 pcs  
Flat Washer
-  #D x 1 pc  
Allen Wrench
-  #E x 8 pcs  
Screw

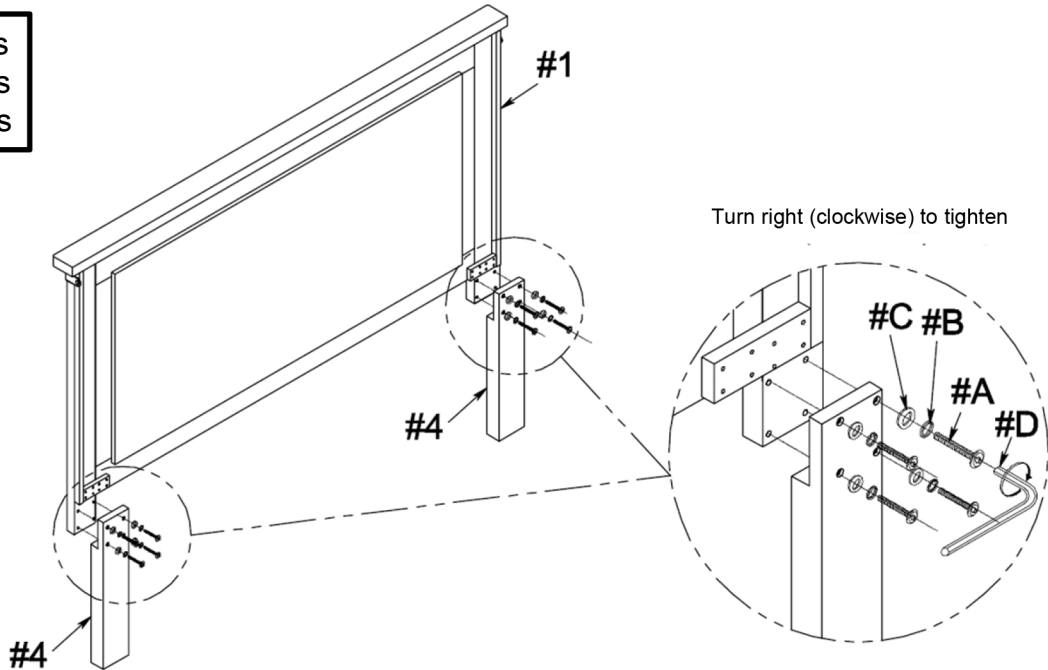


Due to the size and/or weight of this product, it is highly recommended that the assembly should be done near the area of its intended location. Make sure you have enough space to move around during the assembly. ALWAYS have at least two people to help with transporting and assembling the product to avoid any potential injury and/or damage.

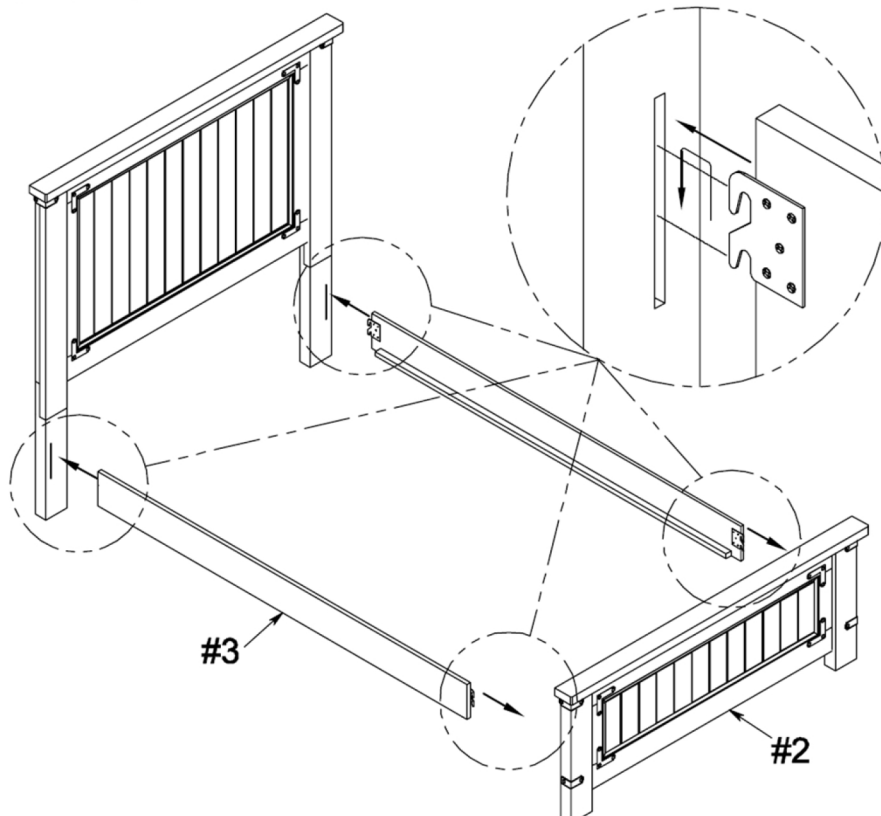


- I. Align the 2 headboard legs (#4) with the pre-drilled holes of the headboard (#1).
- II. Prepare 8 bolt assemblies by inserting FIRST the lock washer (#B) onto the bolt (#A) and then the flat washer (#C) onto the SAME bolt (#A), in that order.
- III. Insert the bolt assemblies through the 2 headboard legs (#4) using the Allen wrench (#D) to lock them with the headboard (#1).

#A x 8 pcs  
#B x 8 pcs  
#C x 8 pcs

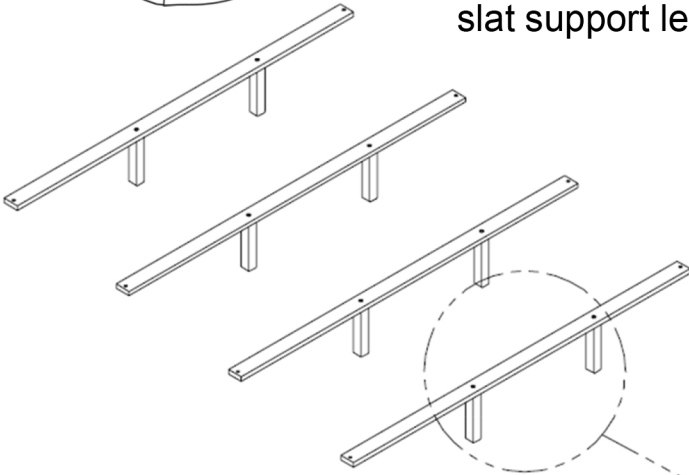


Insert the hooks of the two side rails (#3) into the slotted bars of the headboard (#1) and footboard (#2). Make sure the parts are properly secured.



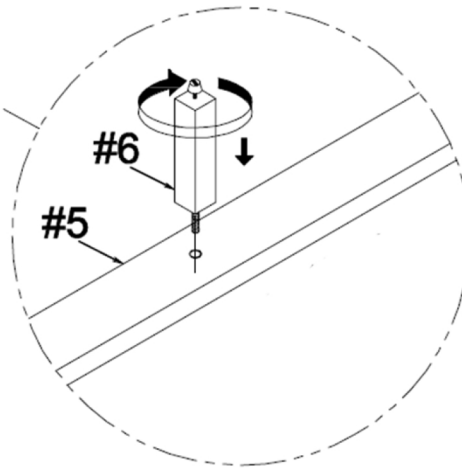


- I. Align the threaded end of the 2 slat support legs (#6) with the pre-drilled holes on the slat (#5) and tighten by hand until secured.
- II. Repeat the process above to assemble the remaining 6 slat support legs (#6) onto the 3 remaining slats (#5).



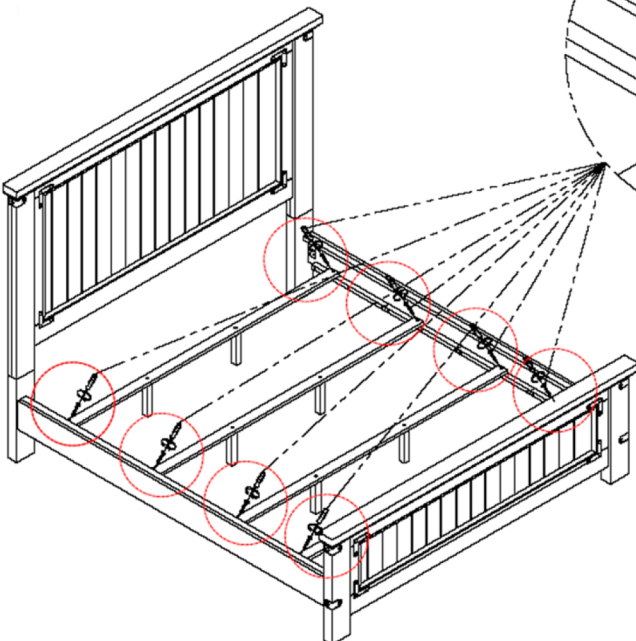
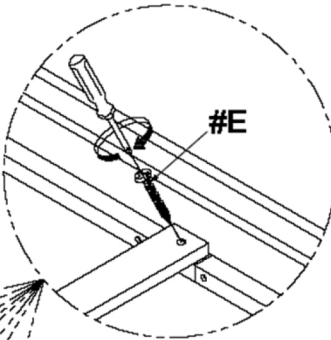
Turn right (clockwise) to tighten

Adjust the levelers according to the ground level on Step 4.



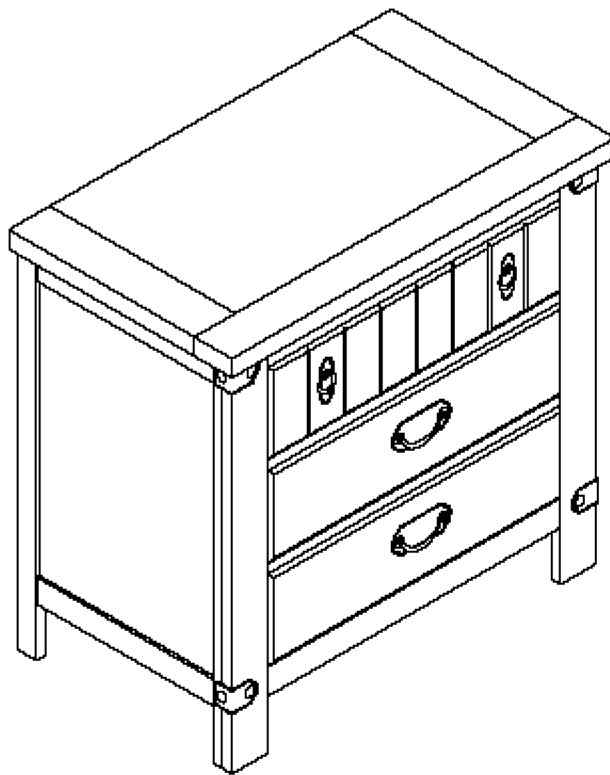
#E x 8 pcs

1. Align the 4 assembled slats (#5) with the pre-drilled holes on the side rails (#3).
2. Secure 2 screws (#E) onto the ends of each assembled slat (#5) using a Phillips screwdriver to tighten them with the side rails (#3).
3. If needed, adjust the levelers according to the ground level. To lower or to raise the slat support leg, turn the levelers clockwise or counterclockwise, respectively.



ASSEMBLY IS COMPLETED

# Assembly Instructions



## ASSEMBLY RATING

The Assembly Rating is a 5-point system that shows the degree of effort needed in assembling a specific product (with 1 being easy and 5 being difficult). For some products, two persons are recommended.

**No Assembly Required**

EASY  DIFFICULT