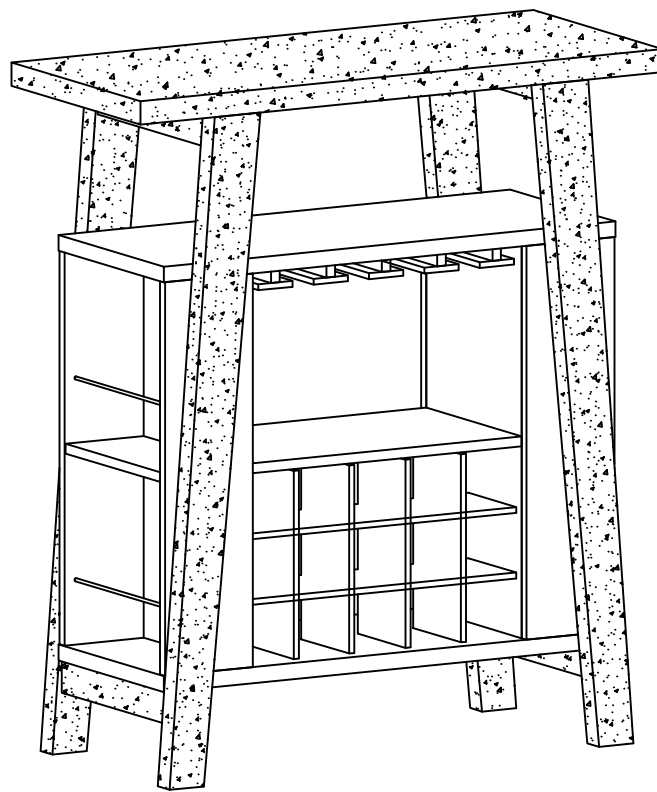


BAR CONSOLE



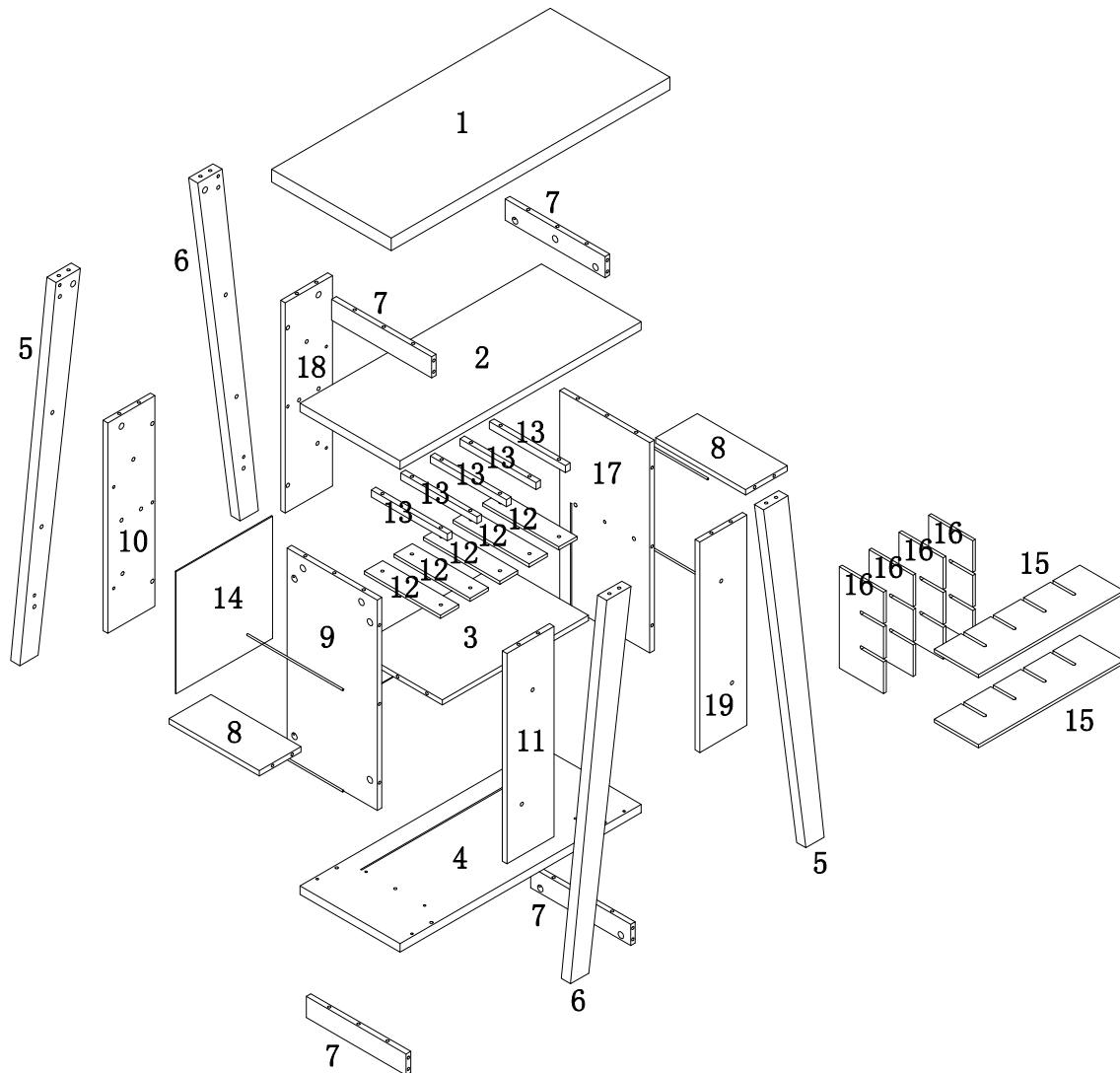
PLEASE NOTE:

It is important to note that this high quality piece of furniture has many intricate parts and will require careful attention to the assembly instructions as well as individual numbered parts during assembly. Carefully following these steps in sequence and double checking part numbers will ensure a rewarding experience and high quality piece of furniture upon completion.



Please do not return to the store
Broken or missing Hardware?
Need help with Assembly?



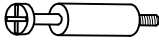



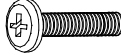




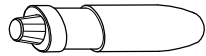
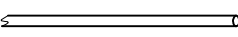


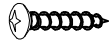

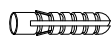


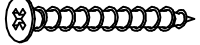
PARTS IDENTIFICATION



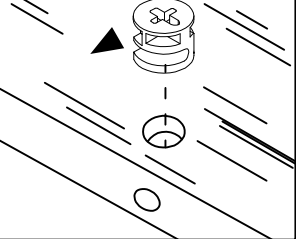
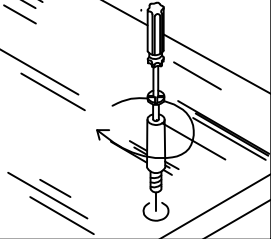
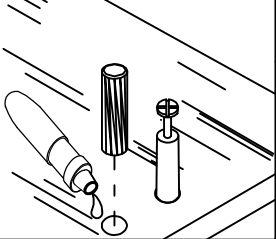
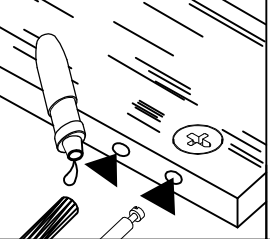
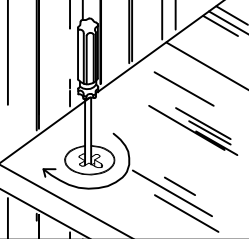
Please count and verify all parts before assembly

(1) Top Panel	1pcs	(11) Left Front Panel	1pcs
(2) Upper Shelf	1pcs	(12) Glass holder	5pcs
(3) Middle Shelf	1pcs	(13) Glass Holder rail	5pcs
(4) Bottom Panel	1pcs	(14) Back Panel	1pcs
(5) Front Right Leg/Rear Left Leg	2pcs	(15) Horizontal Bottle Holder	2pcs
(6) Front Left Leg/Rear Right Leg	2pcs	(16) Vertical Bottle Holder	4pcs
(7) Support	4pcs	(17) Right Side Panel	1pcs
(8) Shelf	2pcs	(18) Right Rear Panel	1pcs
(9) Left Side Panel	1pcs	(19) Right Front Panel	1pcs
(10) Left Rear Panel	1pcs		

HARDWARE IDENTIFICATION

A		Large Cambolt	L29	32pcs
B		Large Camlock	Ø15	32pcs
C		Small Cambolt	L24	12pcs
D		Small Camlock	Ø12	12pcs
E		Dowel	Ø8x25	45pcs
F		Hex Socket Screw	M8x30	8pcs
G		Small Flat Head Screw	M6x35	10pcs
H		Washer	Ø8x16x2	8pcs
I		Foot Tack	Ø16	4pcs
J		Black Cover	Ø20(BLK3)	16pcs
K		Weather White Cover	Ø22(WW)	48pcs
L		Glue	Glue: For securing please apply to wood dowel first before inserting into panel.	1pc
M		Metal Rod	Ø5x305	4pcs
N		Anti-tip Strap	197x5x1	1pc
O		Bracket	12x12x1	2pcs
P		Screw	Ø4x25	1pc
Q		Wall Screw	Ø5x40	1pc
R		Plastic Anchor	Ø8x40	1pc
S		Wrench	M5	1pc
T		Spring	Ø5x9	4pcs
U		Long Screw	Ø4x40	8pcs

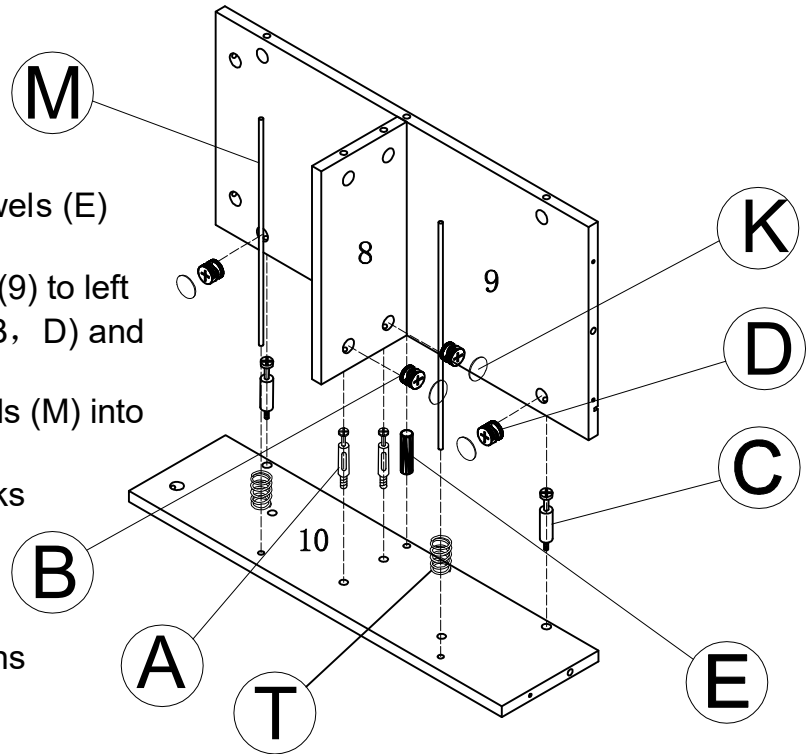
Assembling the unit with camlocks and wood dowels.

				
Insert camlock, camlock must face bolt hole	Gently screw cam dowel into the threaded anchor	lightly glue one end of wood dowel and tap into hole.	lightly glue dowel and connect to second panel by inserting dowels into holes	Gently screw the cam clockwise into locked position. Do not overtighten.

Step 1

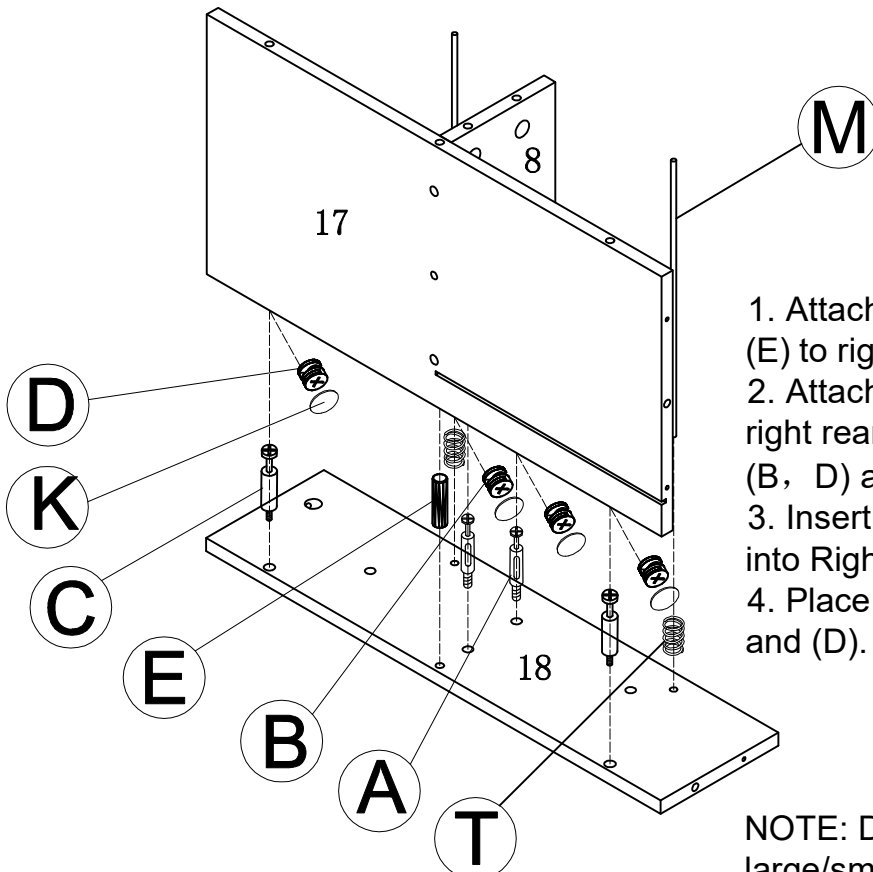
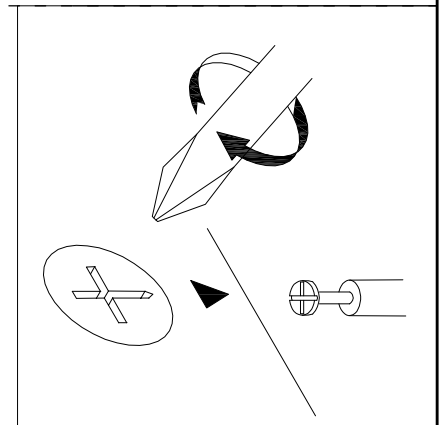
Note: * Place item on a smooth/soft surface such as a towel or carpet.

1. Attach cam bolts (A,C) and dowels (E) to left rear panel (10).
2. Attach shelf (8) and side panel (9) to left rear panel (10) using cam locks (B, D) and gently tighten in place.
3. Insert springs (T) and metal rods (M) into left rear panel(10).
4. place stickers (K) over cam locks (B) and (D)



NOTE: Diagram illustrates locations of large/small cam bolts and cam locks.

Step 2

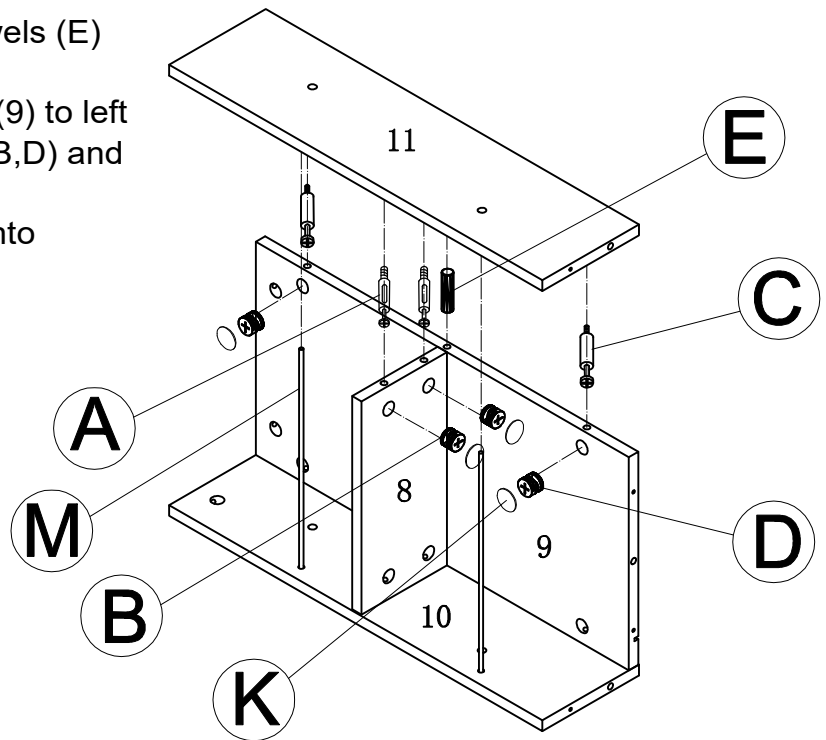


1. Attach cam bolts (A,C) and dowels (E) to right rear panel (18) .
2. Attach shelf (8) and side panel (17) to right rear panel (18) using cam locks (B, D) and gently tighten in place.
3. Insert Springs (T) and Metal Rods (M) into Right Rear Panel (18).
4. Place Stickers (K) over cam Locks(B) and (D).

NOTE: Diagram illustrates locations of large/small cam bolts and camlocks.

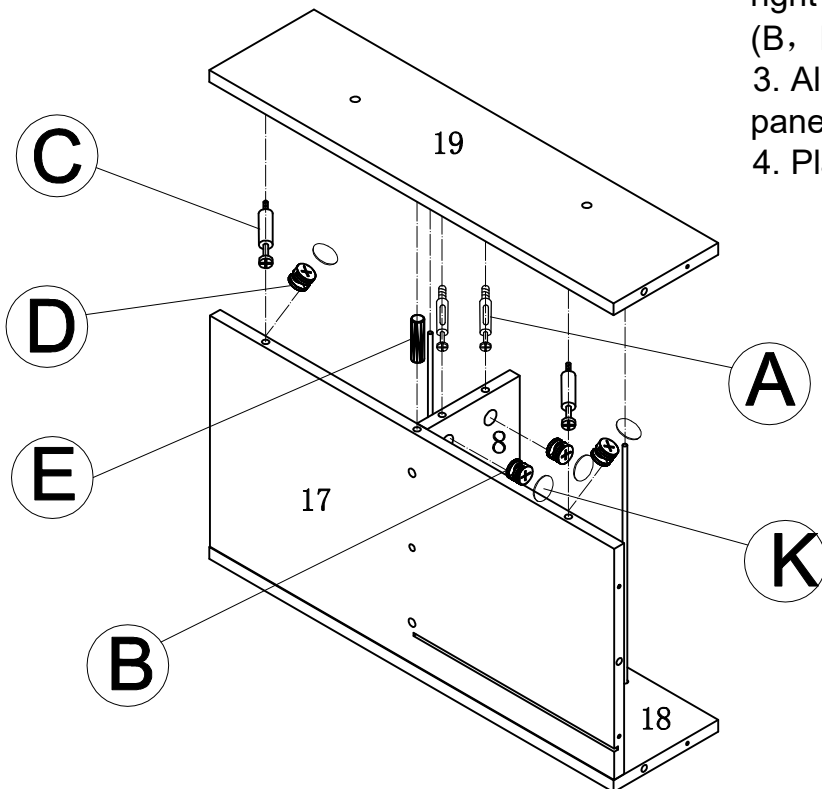
Step3

1. Attach cam bolts (A,C) and dowels (E) to left front panel (11).
2. Attach shelf (8) and side panel (9) to left front panel (11) using cam locks (B,D) and gently tighten in place.
3. Align and insert metal rod (M) into left front panel (11) as shown.



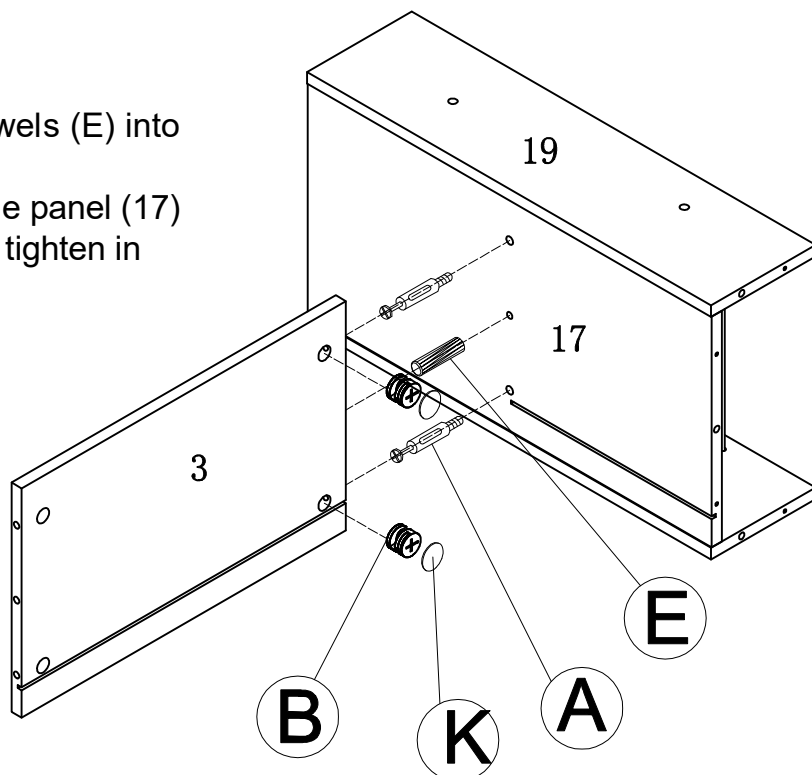
Step4

1. Attach cambolt (A,C) and dowel (E) to right front panel (19).
2. Attach shelf (8) and side panel (17) to right front panel (19) using camlocks (B, D) and gently tighten in place.
3. Align Metal rod (M) into right front panel (19) as shown.
4. Place Stickers (K) over cam locks.

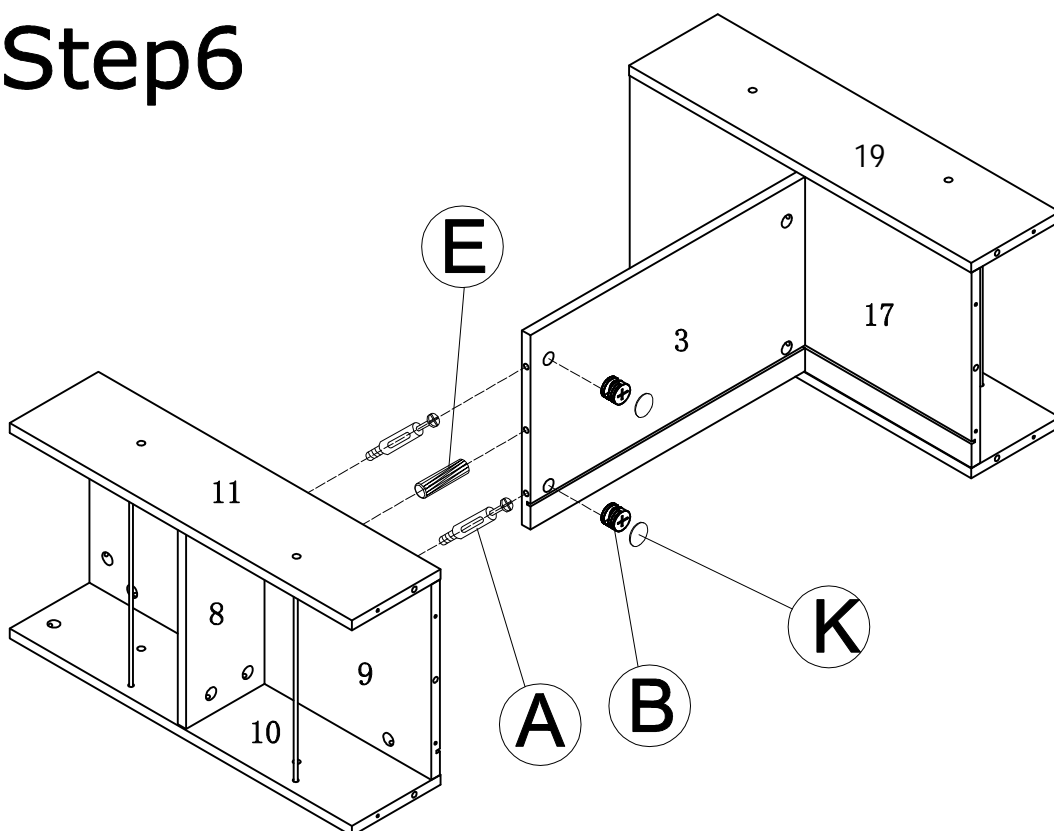


Step5

1. Attach cam bolts (A) and dowels (E) into side panel (17) .
2. Attach middle shelf (3) to side panel (17) using cam locks (B) and gently tighten in place.

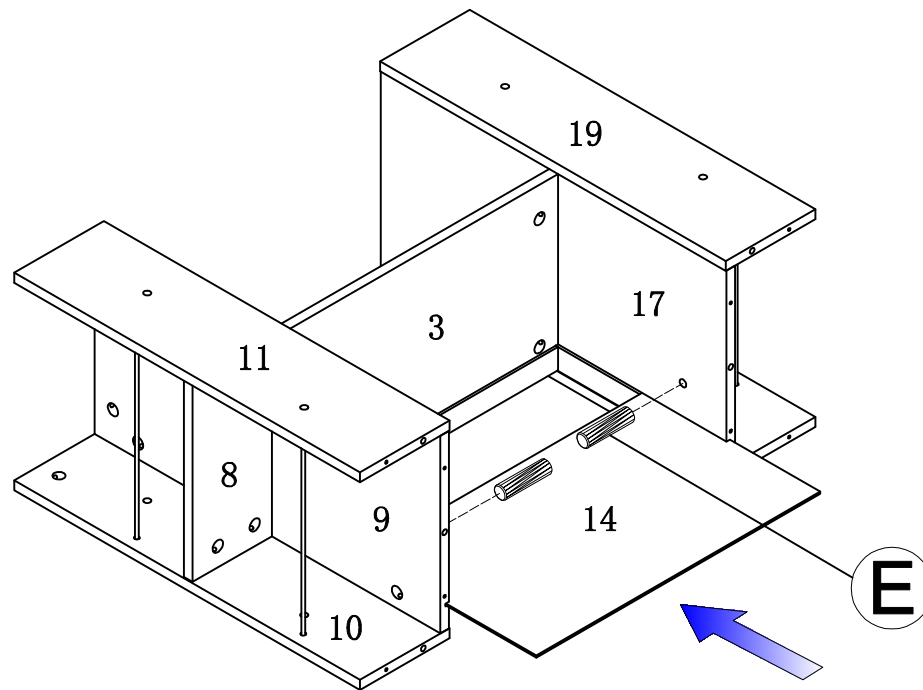


Step6



1. Attach cam bolts (A) and dowels (E) to side panel (9) .
2. Attach middle shelf (3) to side panel (9) using cam locks (B) and gently tighten in place.
3. Place Stickers (K) over cam locks.

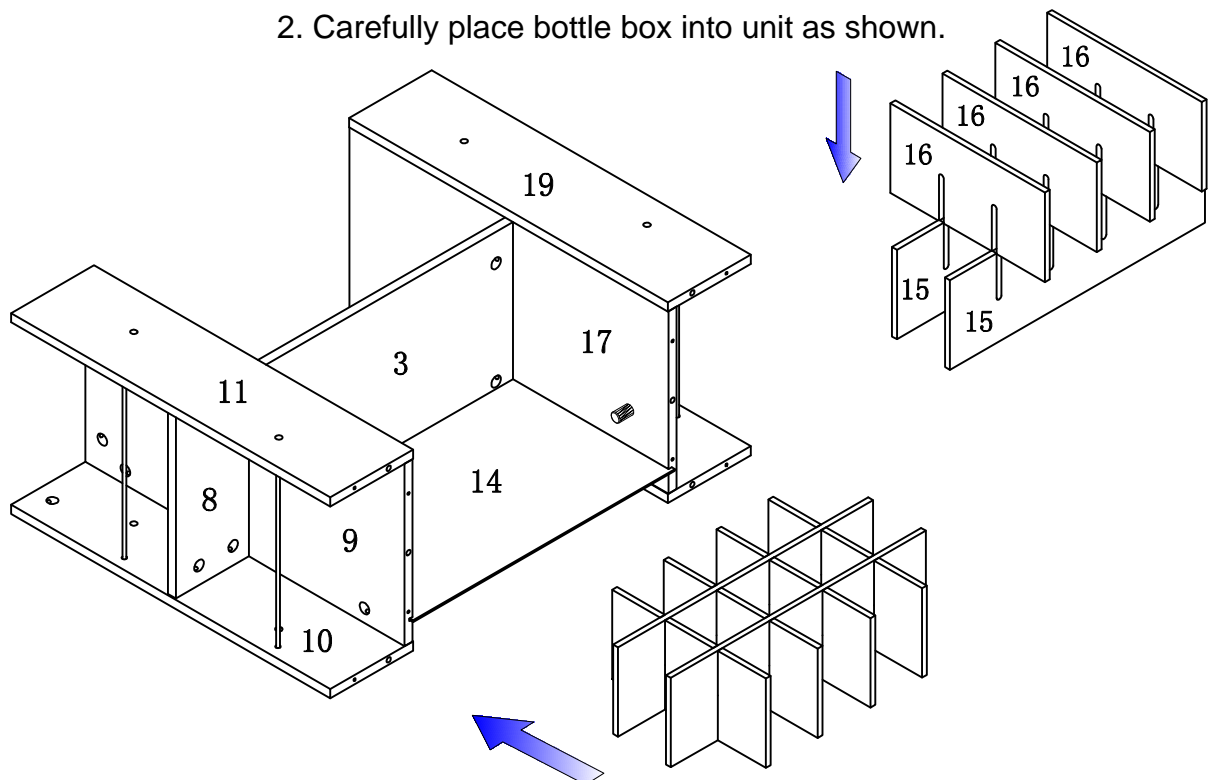
Step7



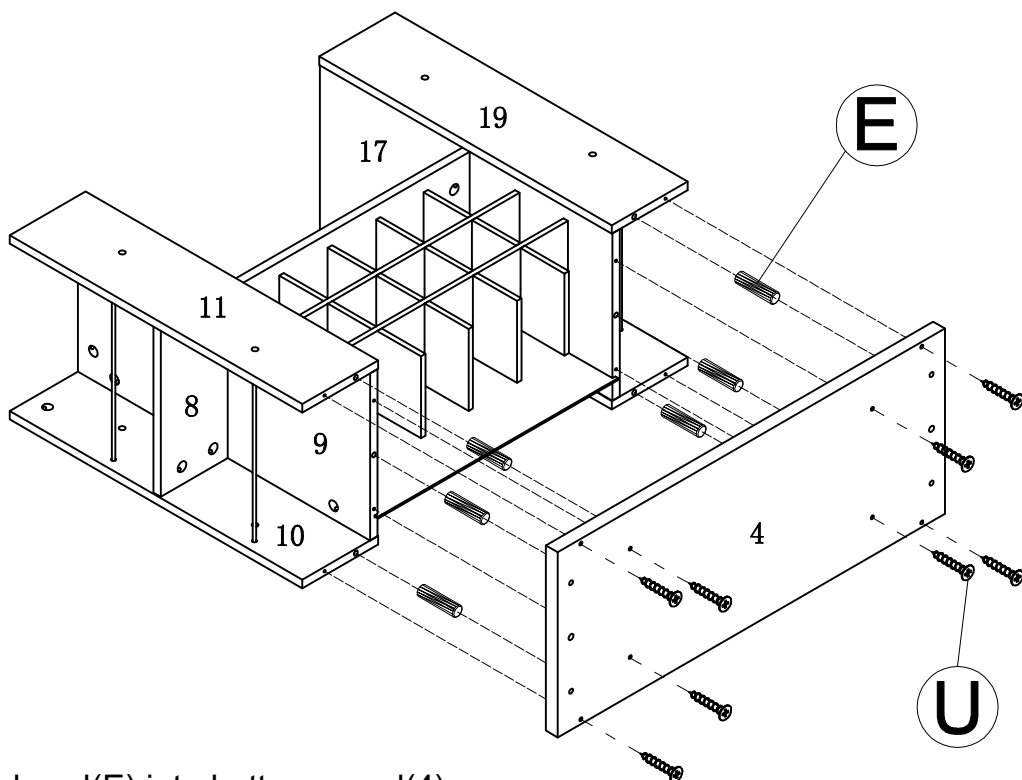
1. Insert back panel(14) into groove of side panel(9) and (17) and middle shelf(3).
2. Insert Dowels (E) into panels (9) and (17)

Step8

1. Slide Horizontal bottle holders (15) into Vertical bottle holders (16) to create a bottle box.
2. Carefully place bottle box into unit as shown.



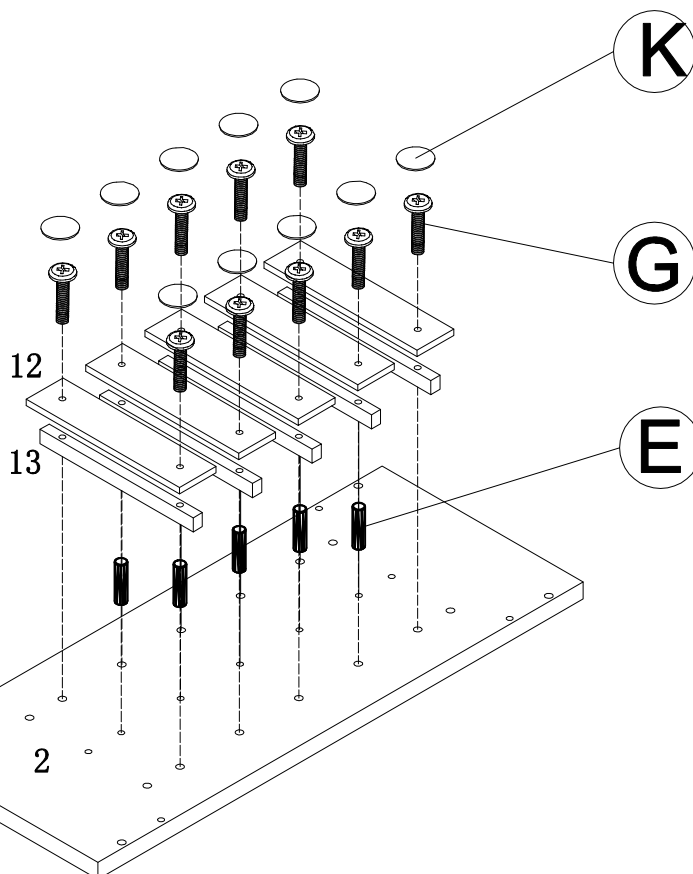
Step9



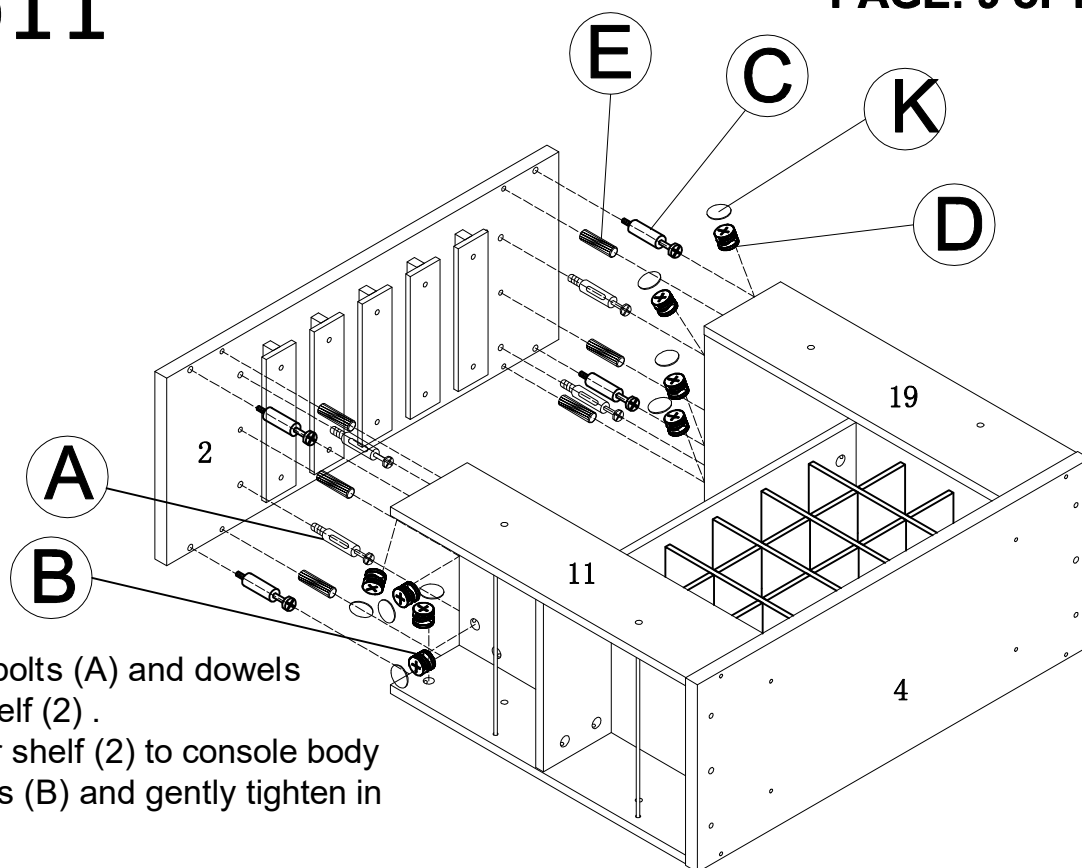
1. Insert dowel(E) into bottom panel(4).
2. Attached bottom panel(4) to console body using screws(U) .

Step10

1. Insert dowels (E) into upper shelf (2).
2. Attach Glass Holder Rails(13) and Glass Holders (12) using small Flat Head Screws (G) to upper shelf (2)
3. Place Stickers(K) over screw heads.

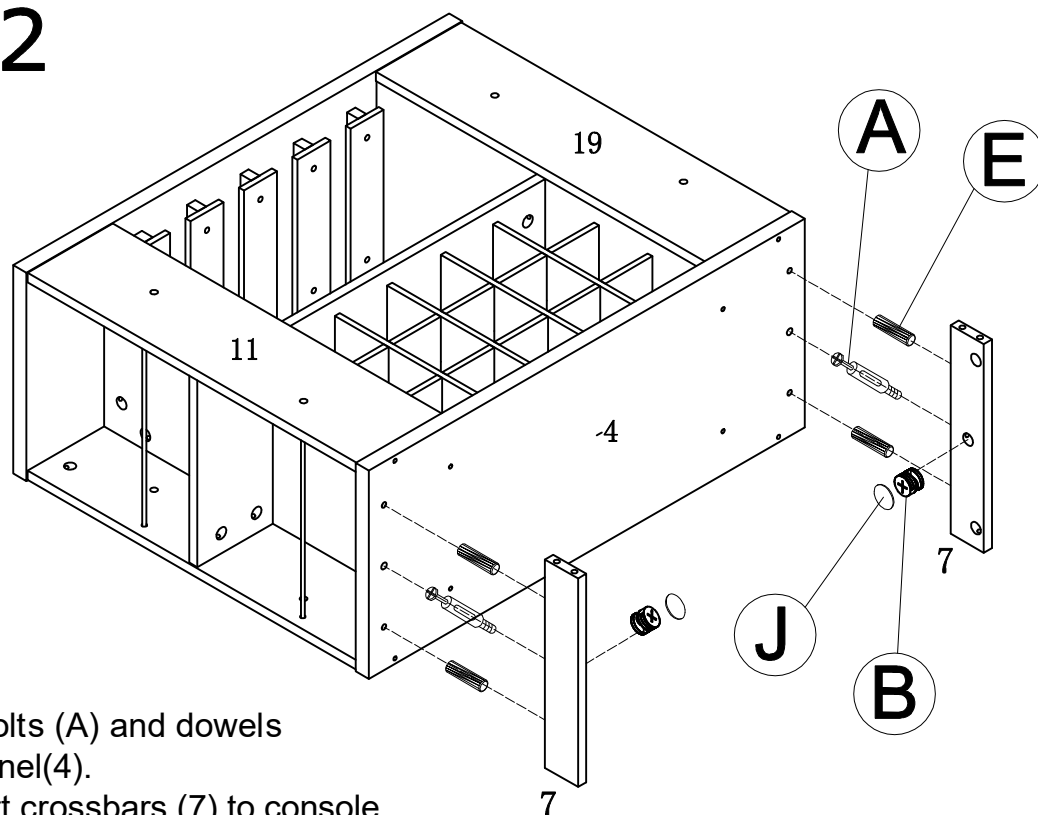


Step11



1. Attach cam bolts (A) and dowels (E) to upper shelf (2) .
2. Attach upper shelf (2) to console body using cam locks (B) and gently tighten in place.

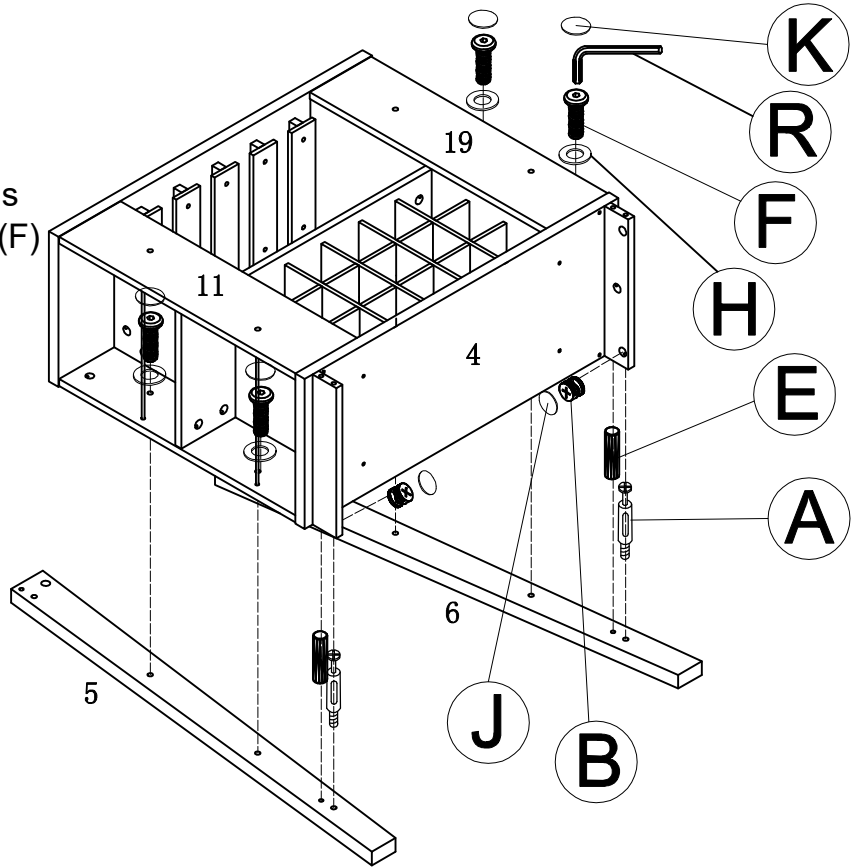
Step12



1. Attach cam bolts (A) and dowels (E) to bottom panel(4).
2. Attach support crossbars (7) to console body using cam locks (B) and gently tighten in place.

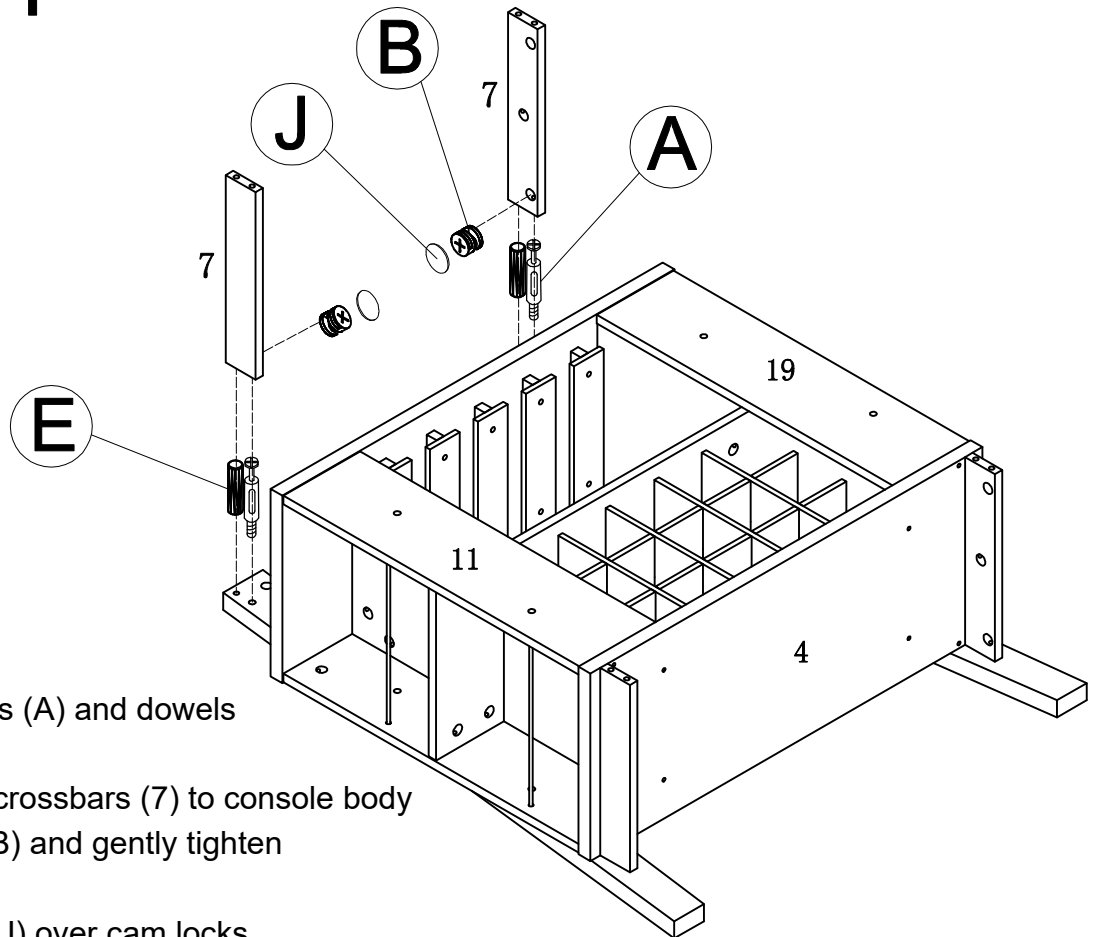
Step13

1. Attach cam bolts (A) and dowels (E) to legs (5,6) .
2. Attach legs (5,6) to console body using camlocks (B) and Hex Socket Screws (F) as shown.
3. Place Stickers (K) over Screws heads.



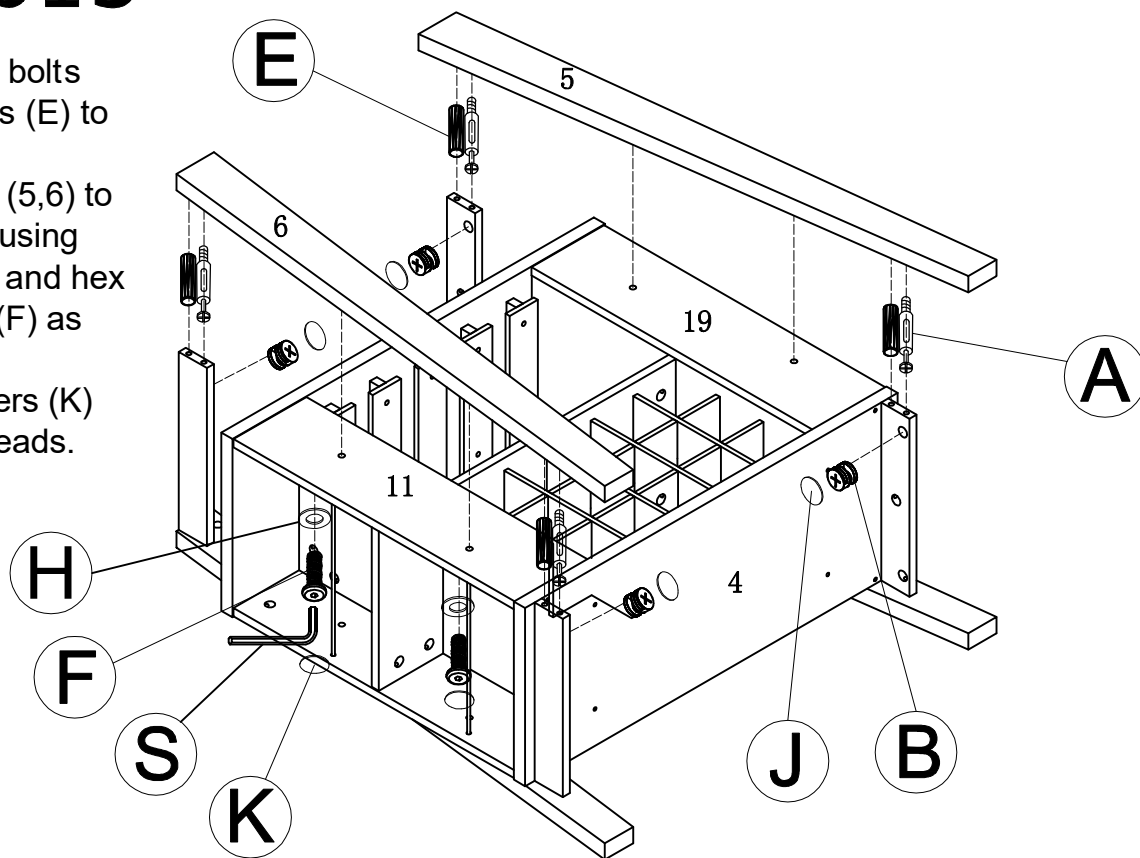
Step14

1. Attach cam bolts (A) and dowels (E) to legs (5,6).
2. Attach support crossbars (7) to console body using cam locks (B) and gently tighten in place.
3. Place Stickers (J) over cam locks.

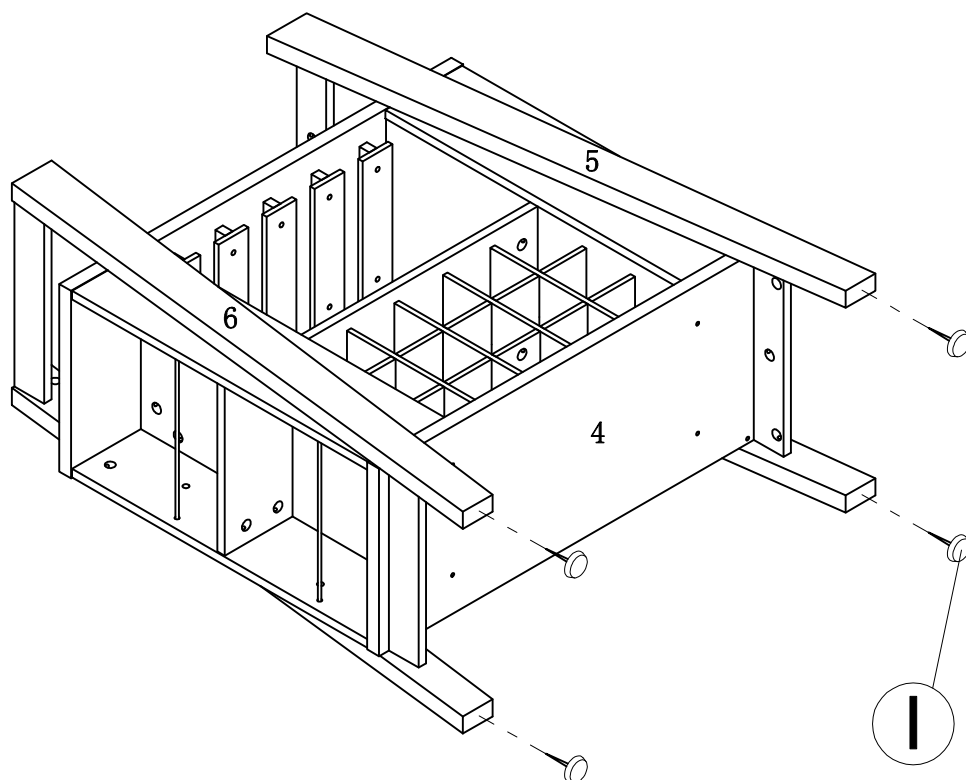


Step15

1. Attach cam bolts (A) and dowels (E) to legs (5,6) .
2. Attach legs (5,6) to console body using cam locks (B) and hex socket screw (F) as shown.
3. Place Stickers (K) over screws heads.



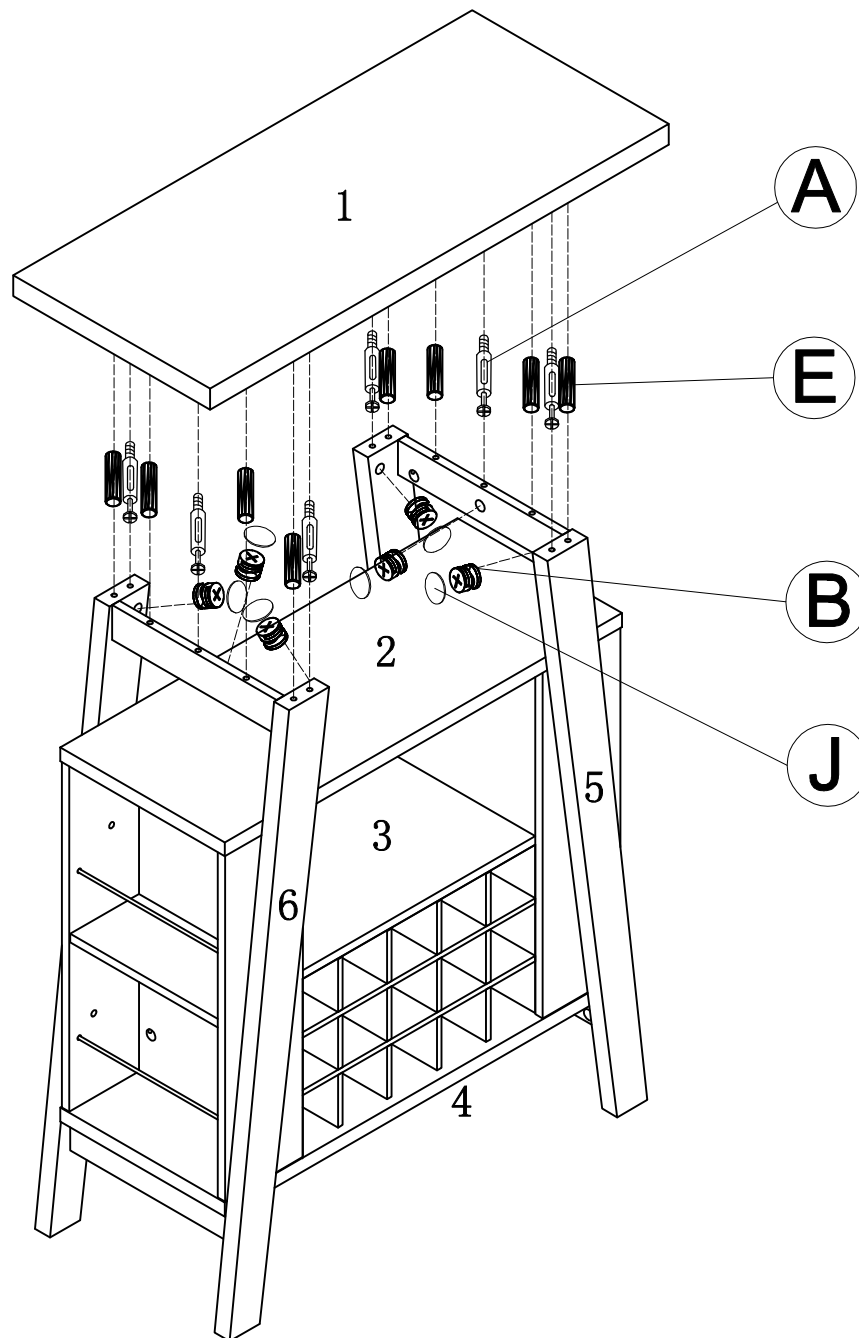
Step16

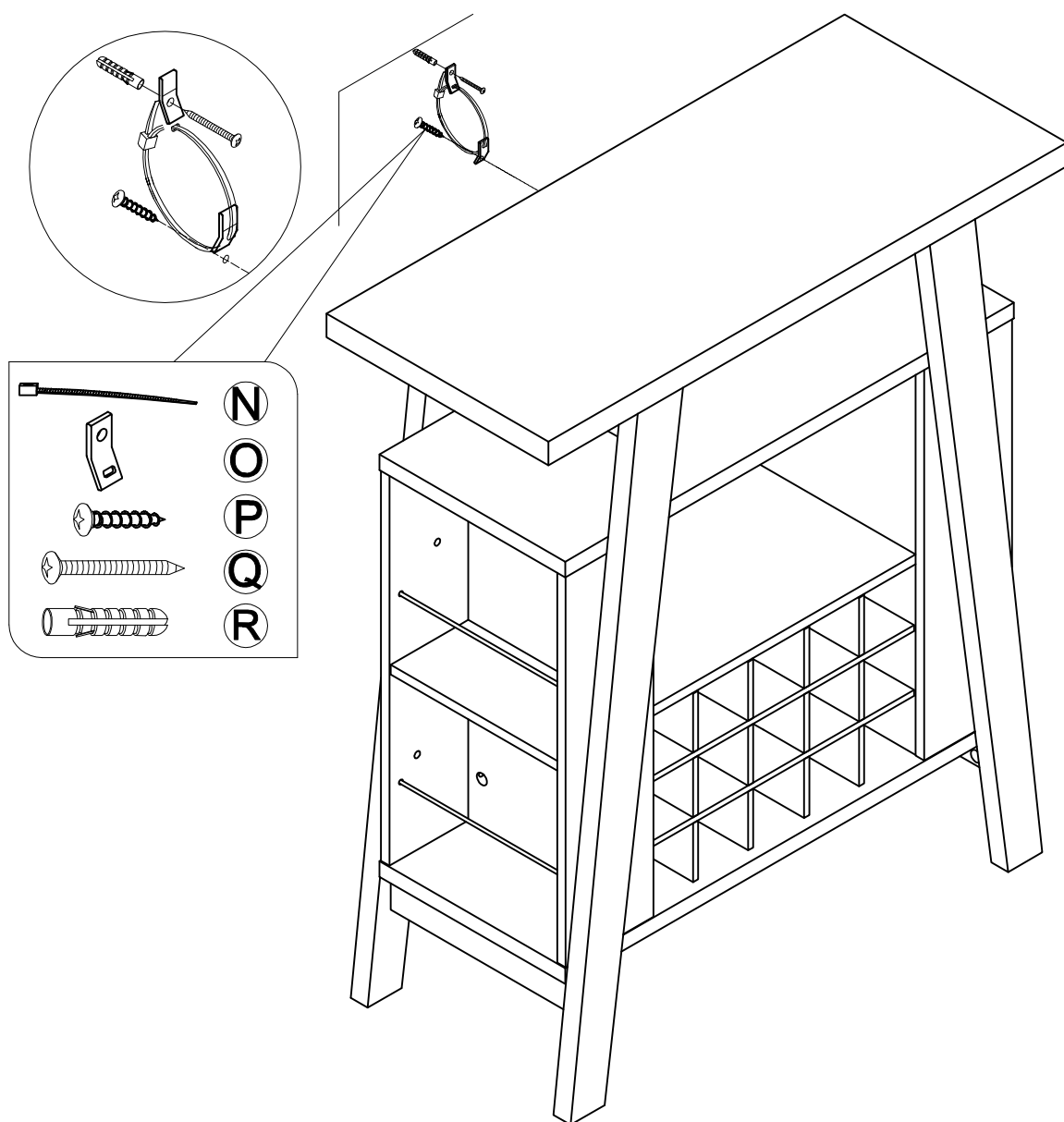


1. Gently hammer foot tacks (I) into bottom of legs as shown.

Step17

1. Attach cam bolts (A) and dowels (E) to top panel(1).
2. Attach top panel (1) to console body using cam locks (B) and gently tighten in place.
3. Place cover over all visible cam locks.





To prevent injuries, we recommend consumers to securely anchor the console to the wall.

1. Drill a hole on the wall parallel with top (1) . Hammer anchor(R) into hole. Attach Bracket(O) to the wall using wall screw(Q) as shown.
2. Attach Bracket(O) to top (1) using medium screw(P) as shown.
3. Attach two brackets together using anti-tip strap and pull the strap to the right place.