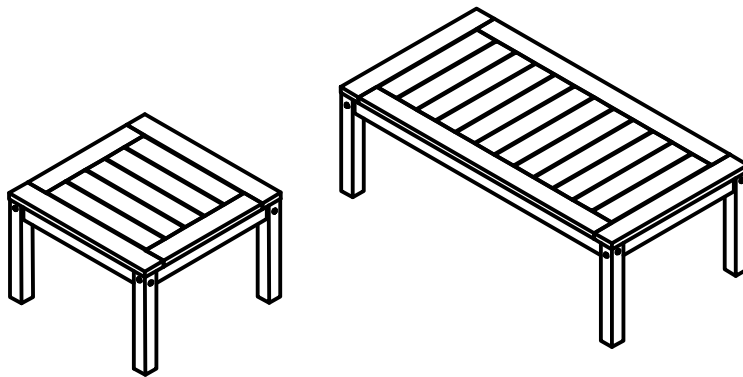


# Adirondack Side/Coffee Table

## Assembly Guide



Scan for  
Assembly  
Video!



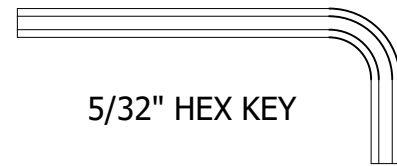
DSST1  
DSCT1

\*Actual Style May Vary from  
the One Pictured in this Guide

### HARDWARE INCLUDED

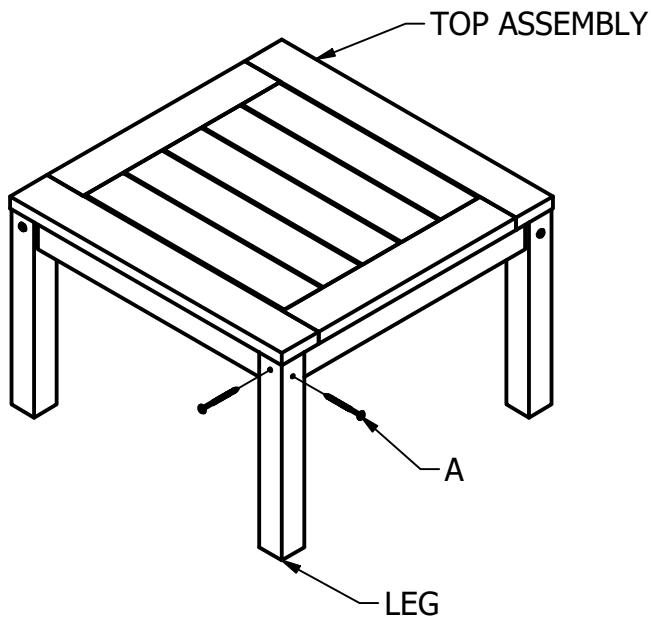


### TOOLS INCLUDED



### IMPORTANT!

DO NOT fully tighten bolts until all bolts are started.



1) Attach leg to table top using (2) A bolts.  
Repeat for remaining (3) legs.

Note: Line up holes in the legs with the  
pre-drilled holes in the tabletop.