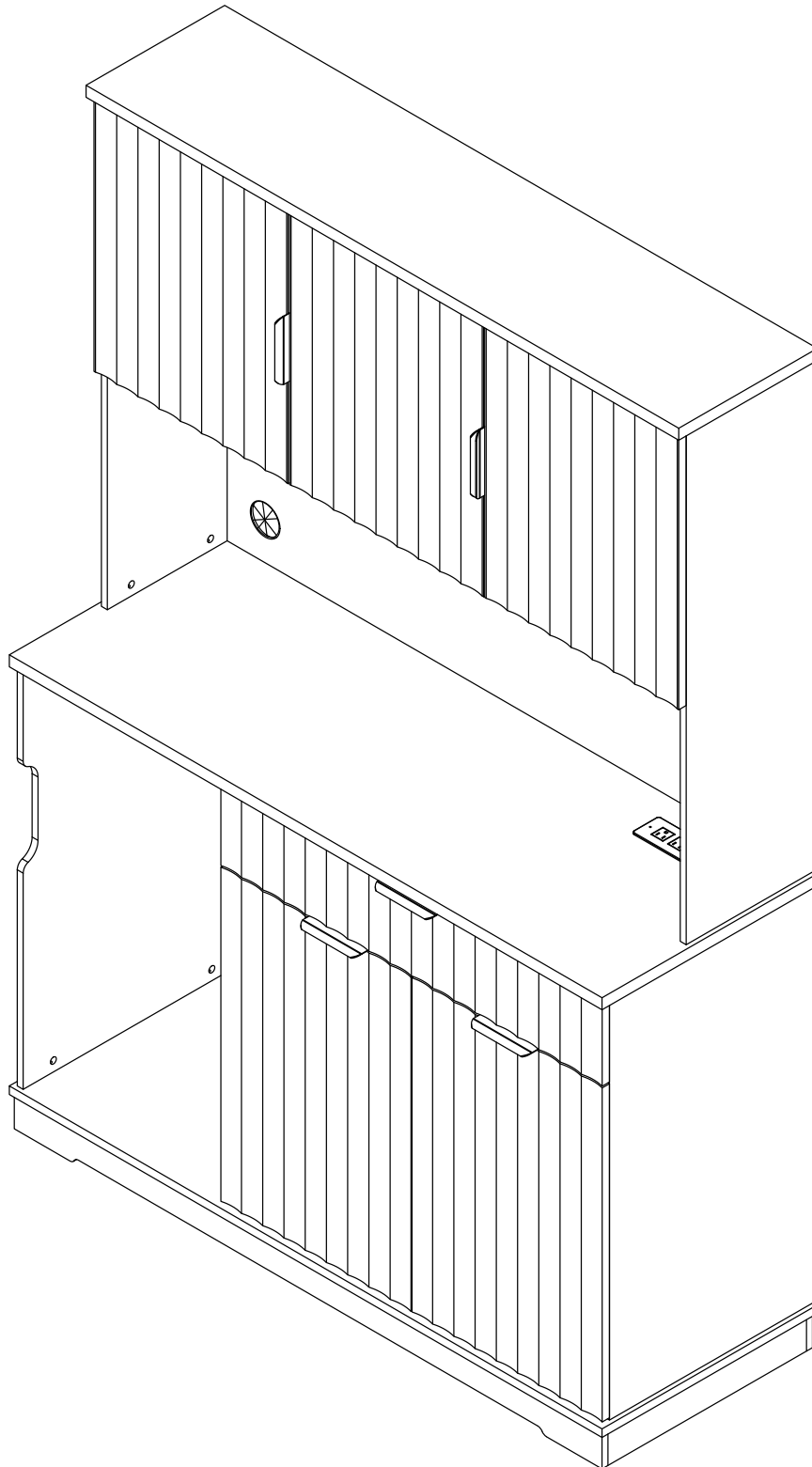
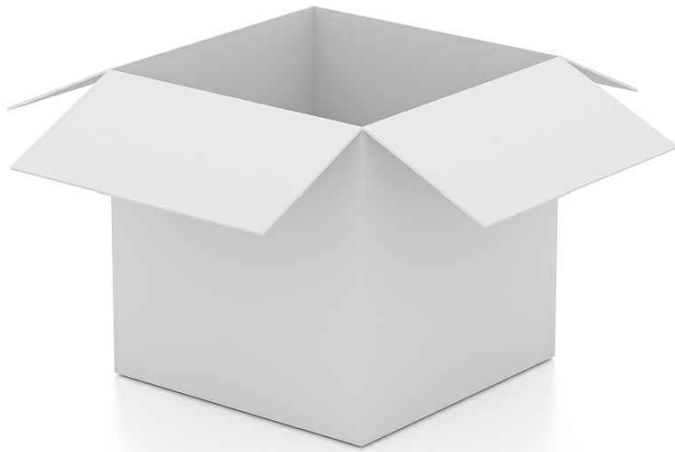


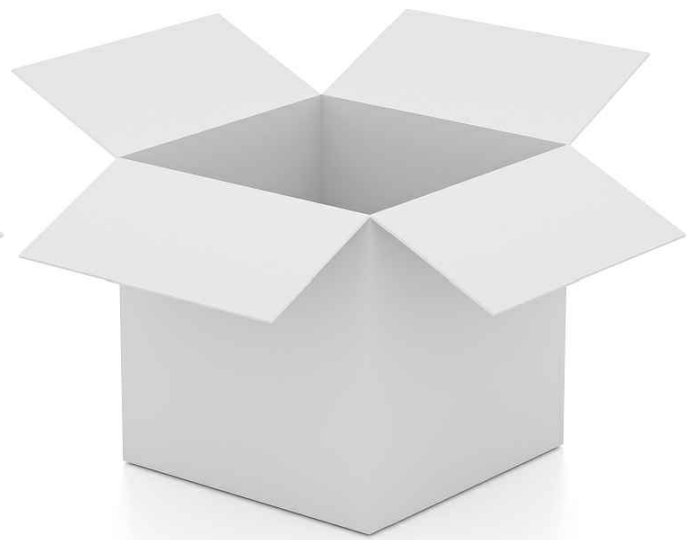
# Product Installation Instructions



# Accessories list



**Description: Tall Pantry Cabinet**  
Qty/Qté: 1PCS  
G.W/P.B: 21.5kg  
N.W/P.N: 19.5kg  
MEAS: 91\*47.8\*16.3cm



**Description: Tall Pantry Cabinet**  
Qty/Qté: 1PCS  
G.W/P.B: 43.8kg  
N.W/P.N: 39.65kg  
MEAS: 138.5\*53\*20.5cm

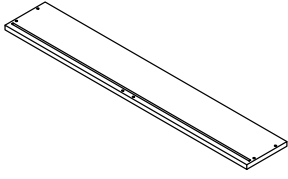
**Friendly reminder:**

Your product panels are packed in two cartons.

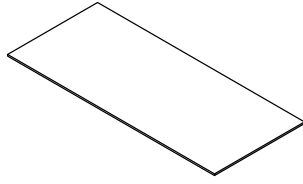
Please make sure both are on hand before you begin assembly.

If you have not received both, please contact us before proceeding.

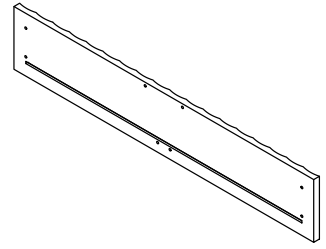
# Package A



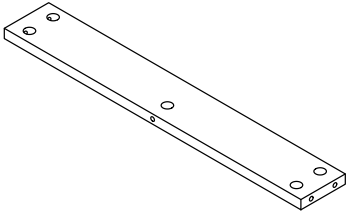
1 x1



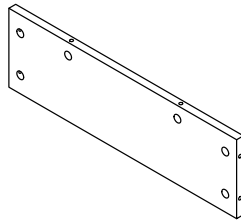
4 x1



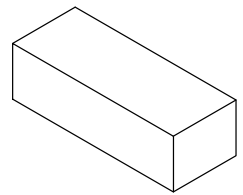
5 x1



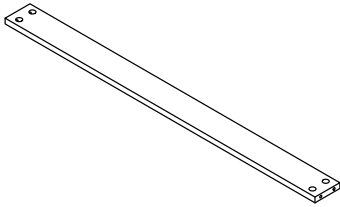
8 x2



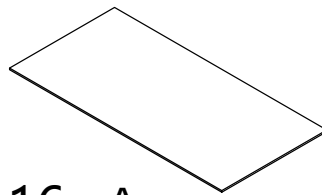
12 x1



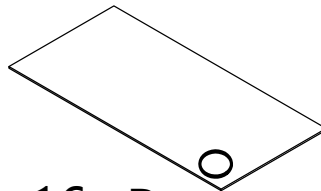
Hardware accessories



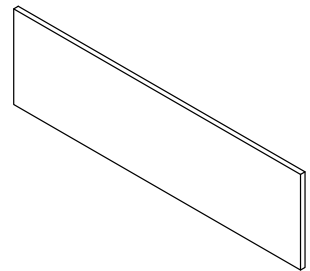
14 x1



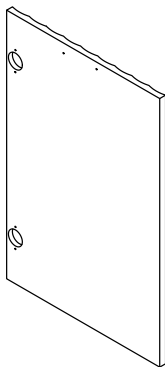
16 - A x1



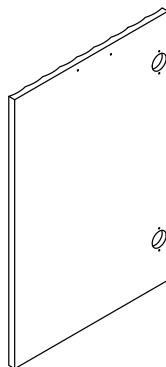
16 - B x1



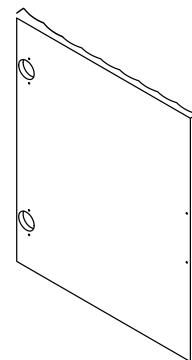
27 x1



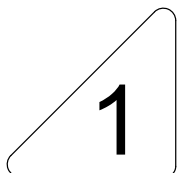
28 x1



29 x1

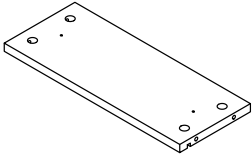


30 x3

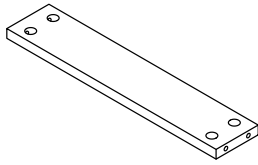


1

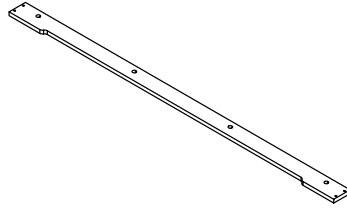
# Package B



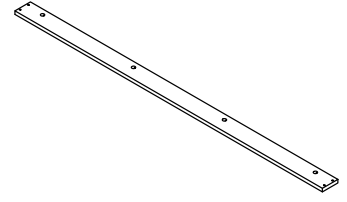
2 x2



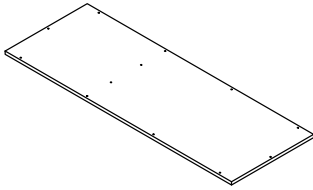
3 x1



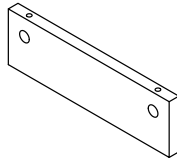
6x1



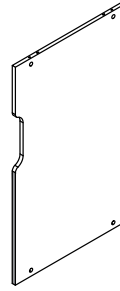
7 x1



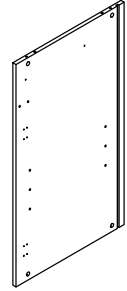
9 x1



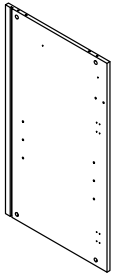
10x1



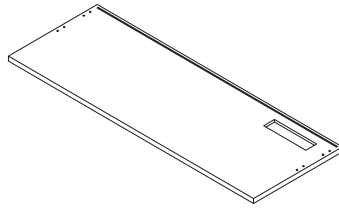
11 x1



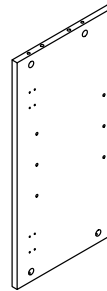
13x1



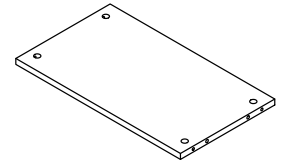
15x1



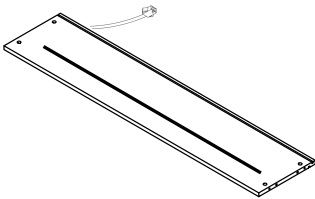
17x1



18x1



19x1



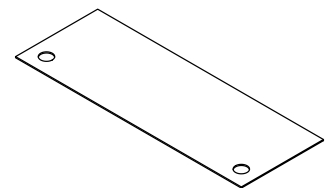
20x1



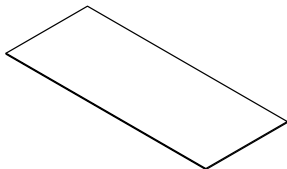
21 x1



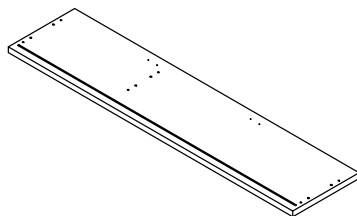
22 x1



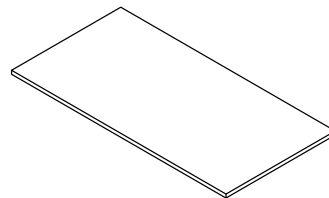
23x1



24x2

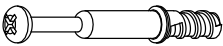



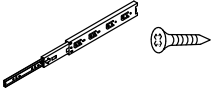
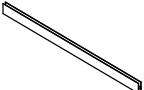
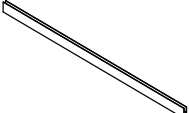
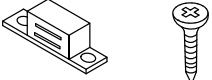
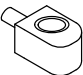
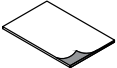
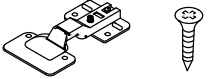

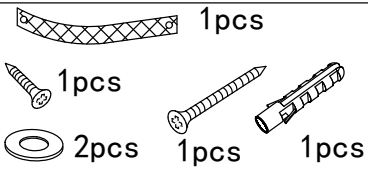
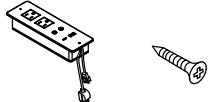


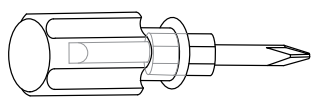
25x1



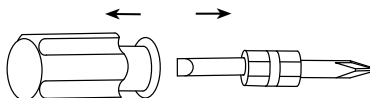
26x1

# Accessories list

A		Two In One Screw (6x28mm)	74pcs +7pcs
B		Two In One Nut (10x12mm)	74pcs +7pcs
C		Wood Chipping (6x30mm)	32pcs +3pcs
D		Handle & Screw (3.5x10mm)	12pcs +2pcs 6pcs
E		Screw & Guide (3x12mm)	10pcs +2pcs 2pcs
F		Backboard card strip (742mm)	1pcs
G		Backboard card strip (1154mm)	1pcs
H		Door Magnet & Screw (3x14mm)	4pcs +2pcs 2pcs
I		Laminate Support Nail	8pcs +2pcs
J		Non-slip pads (50x10mm)	8pcs +2pcs
K		Hinge & Screw (3.5x12mm)	60pcs +6pcs 10pcs
L		Fixing clip & screw (3x16mm)	24pcs +2pcs
M		anti-tipping tape Screw & gasket (3.5x12mm) Screw (4x45mm)	1pcs
N		Power strip screw (3x10mm)	2pcs +1pcs 1pcs



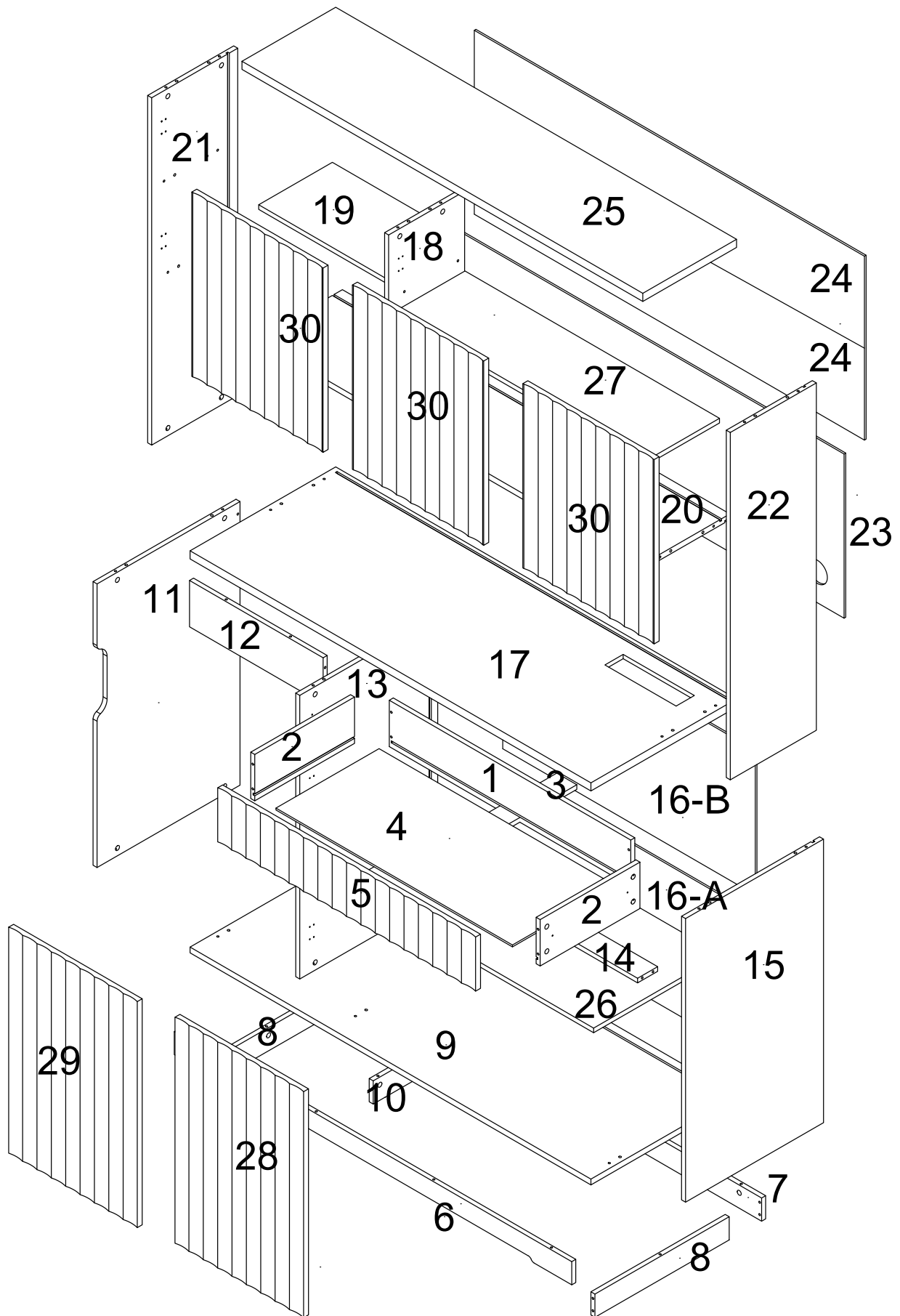
1pcs



Double-head screwdriver, use as required

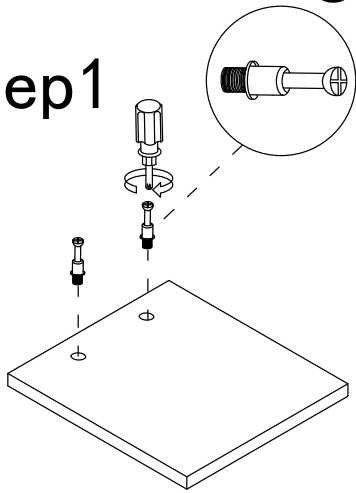
3

# Product structure decomposition

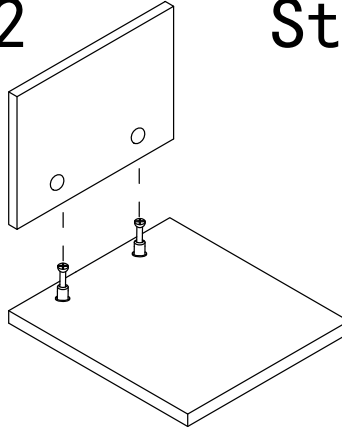


# Use parts A and B

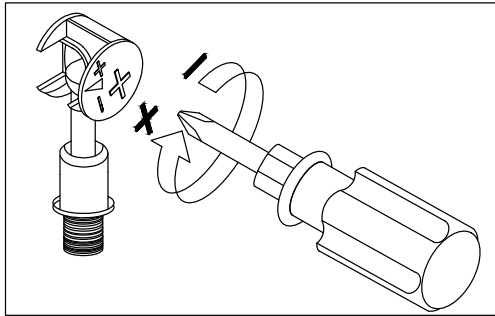
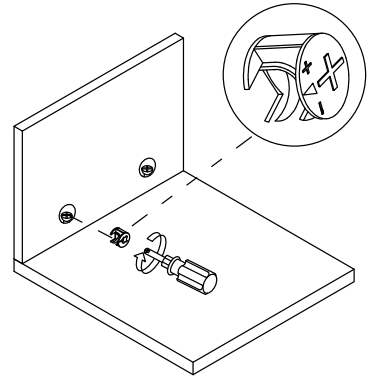
Step1



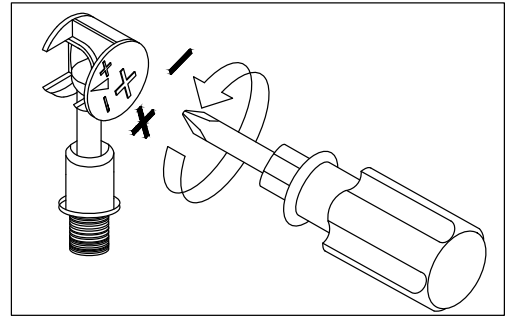
Step2



Step3

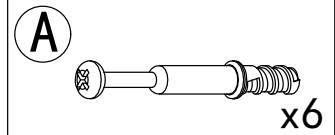
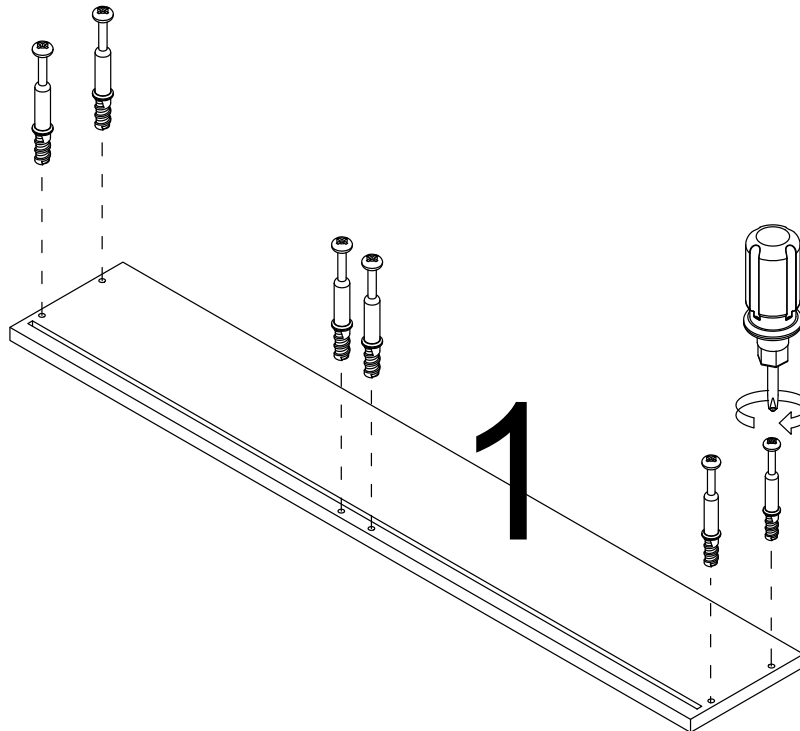


Use a screwdriver to lock in the direction of the "+" sign



Disassemble along the direction of "-" sign

Step 1

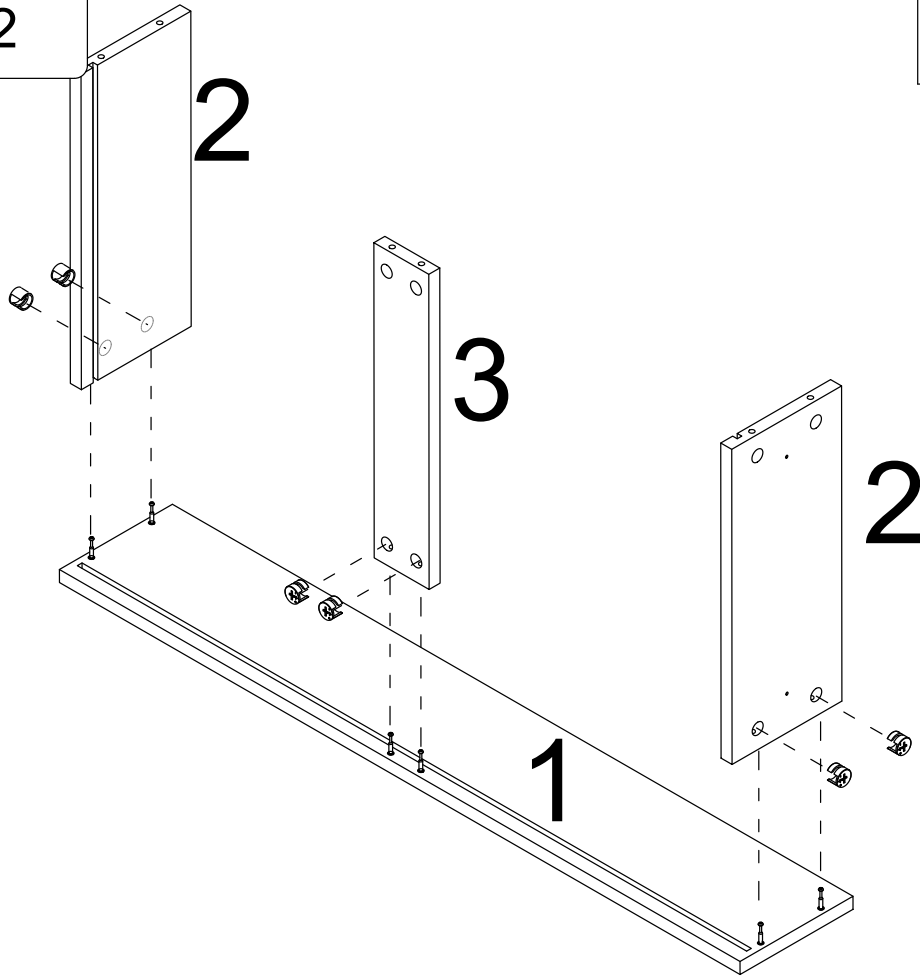


Step 2

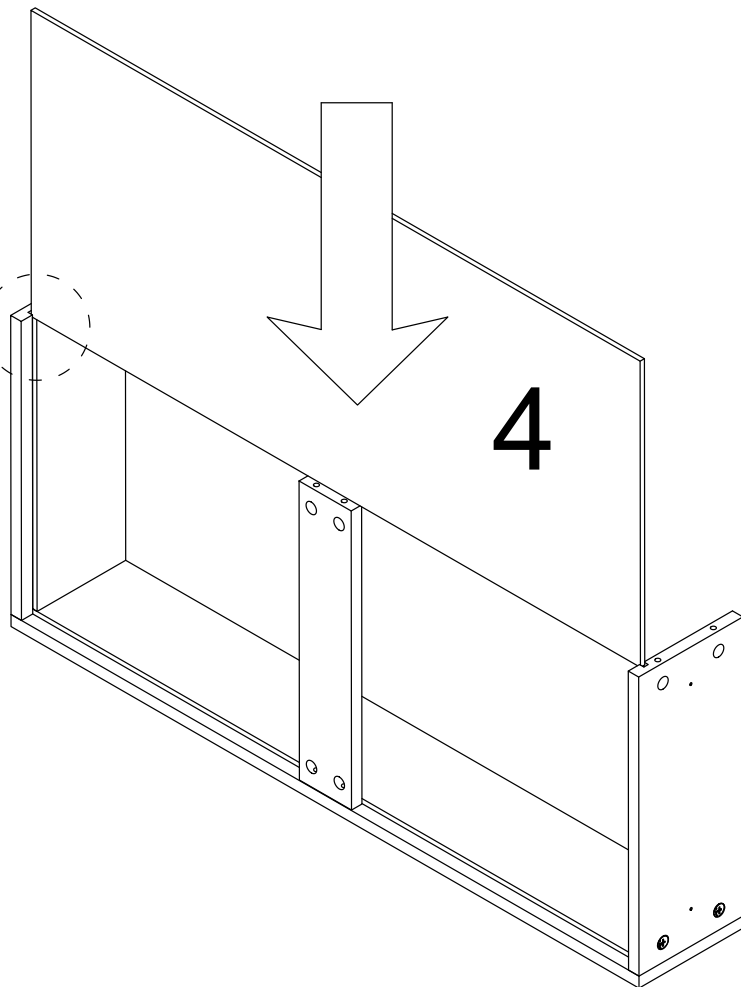
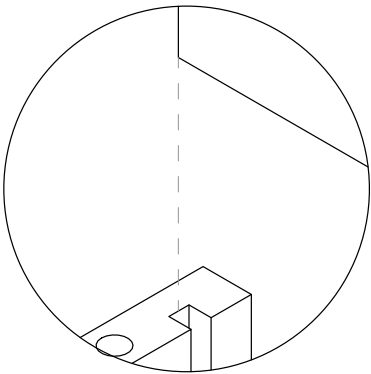
B



x 6

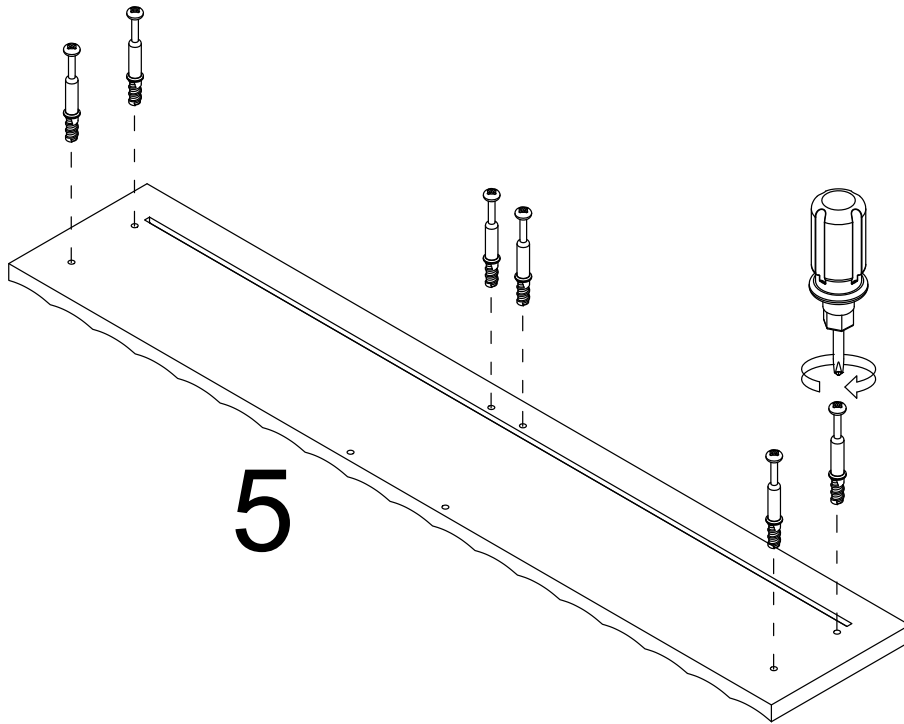
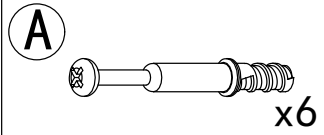


Step 3

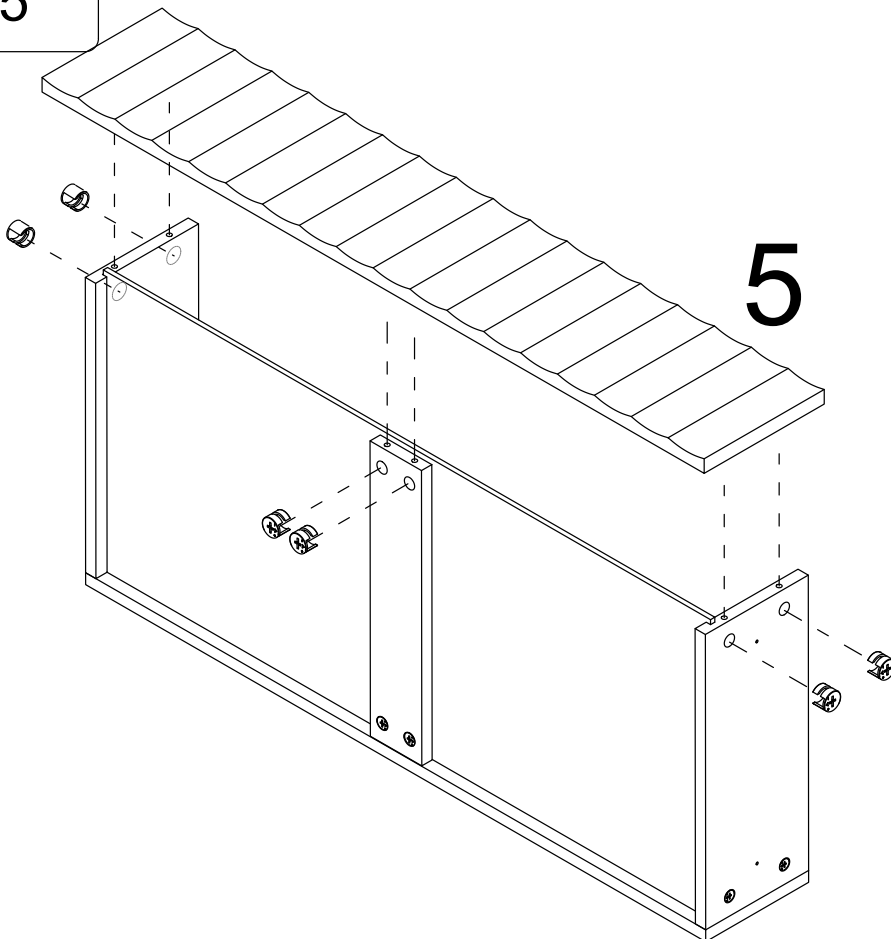


6

Step 4

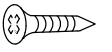
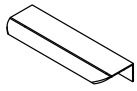


Step 5



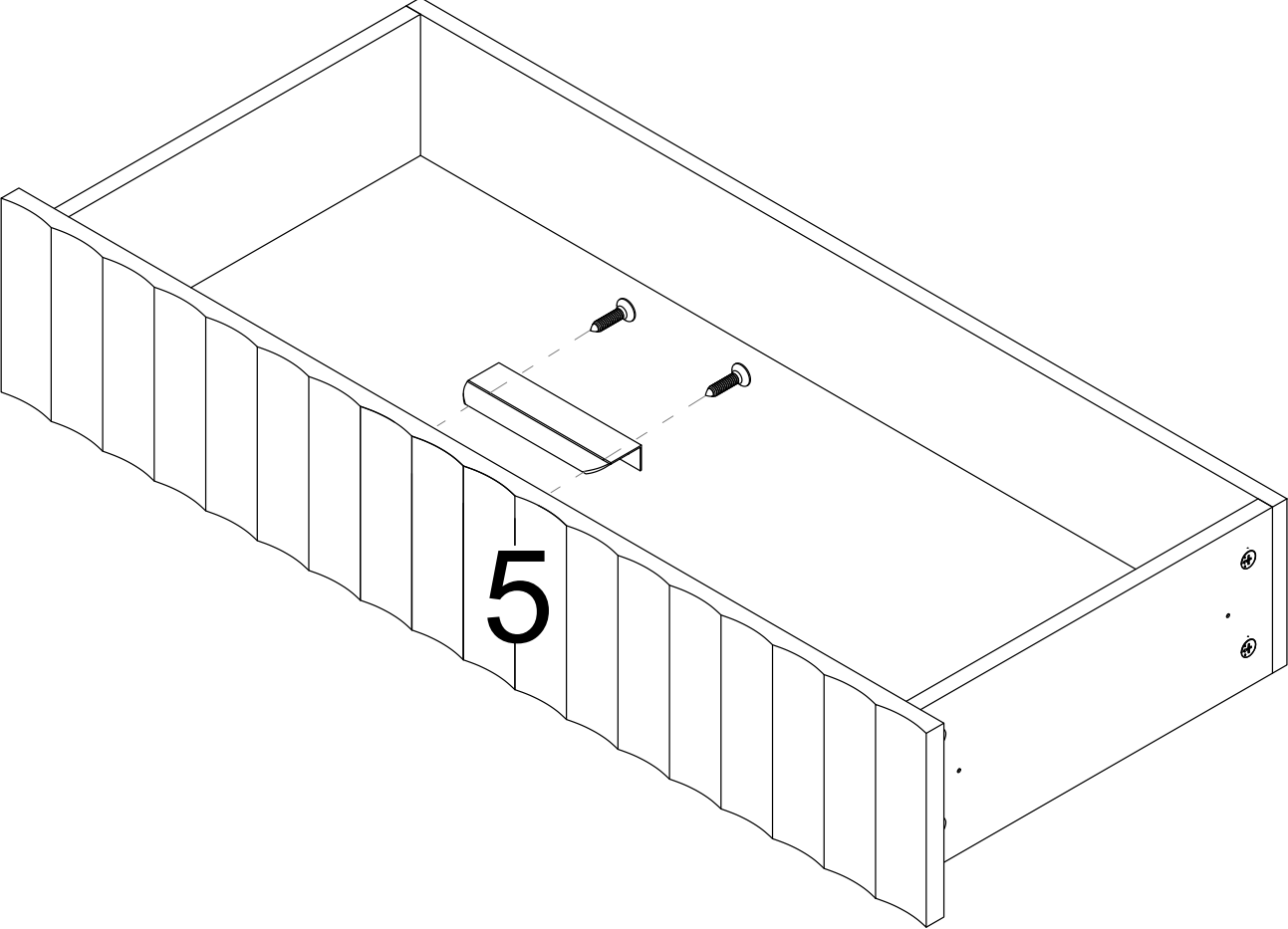
Step 6

D

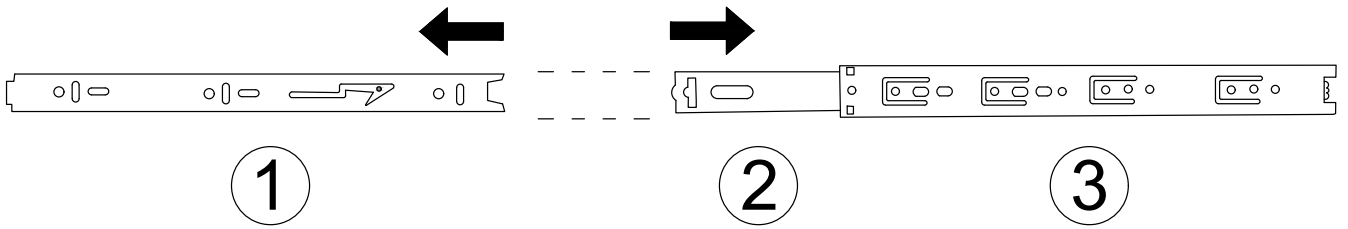


x1

x2

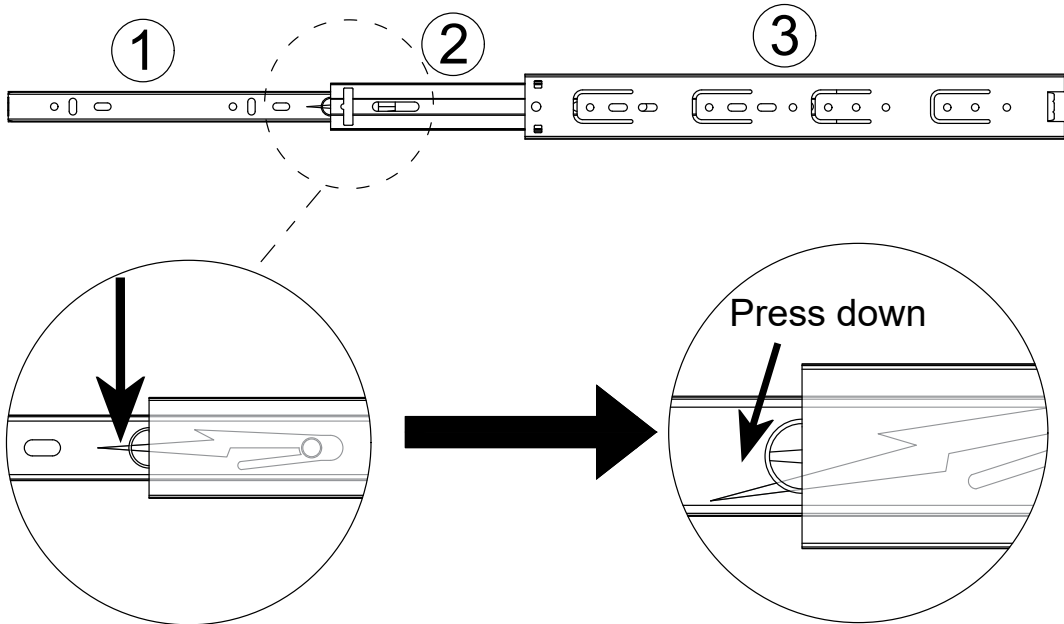


Drawer rail breakdown diagram



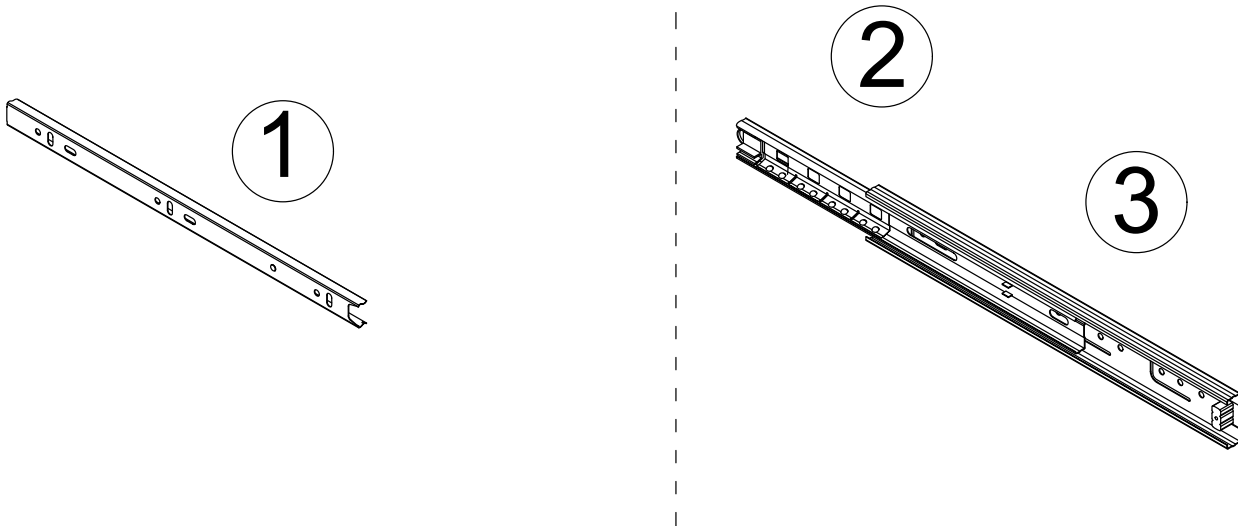
① Dismantle the schematic diagram

Step 1 : Pull the rails apart



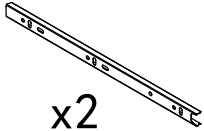
Step 2 : Press the nylon button and pull out ①.

Drawer rail decomposition completed schematic diagram



Step 7

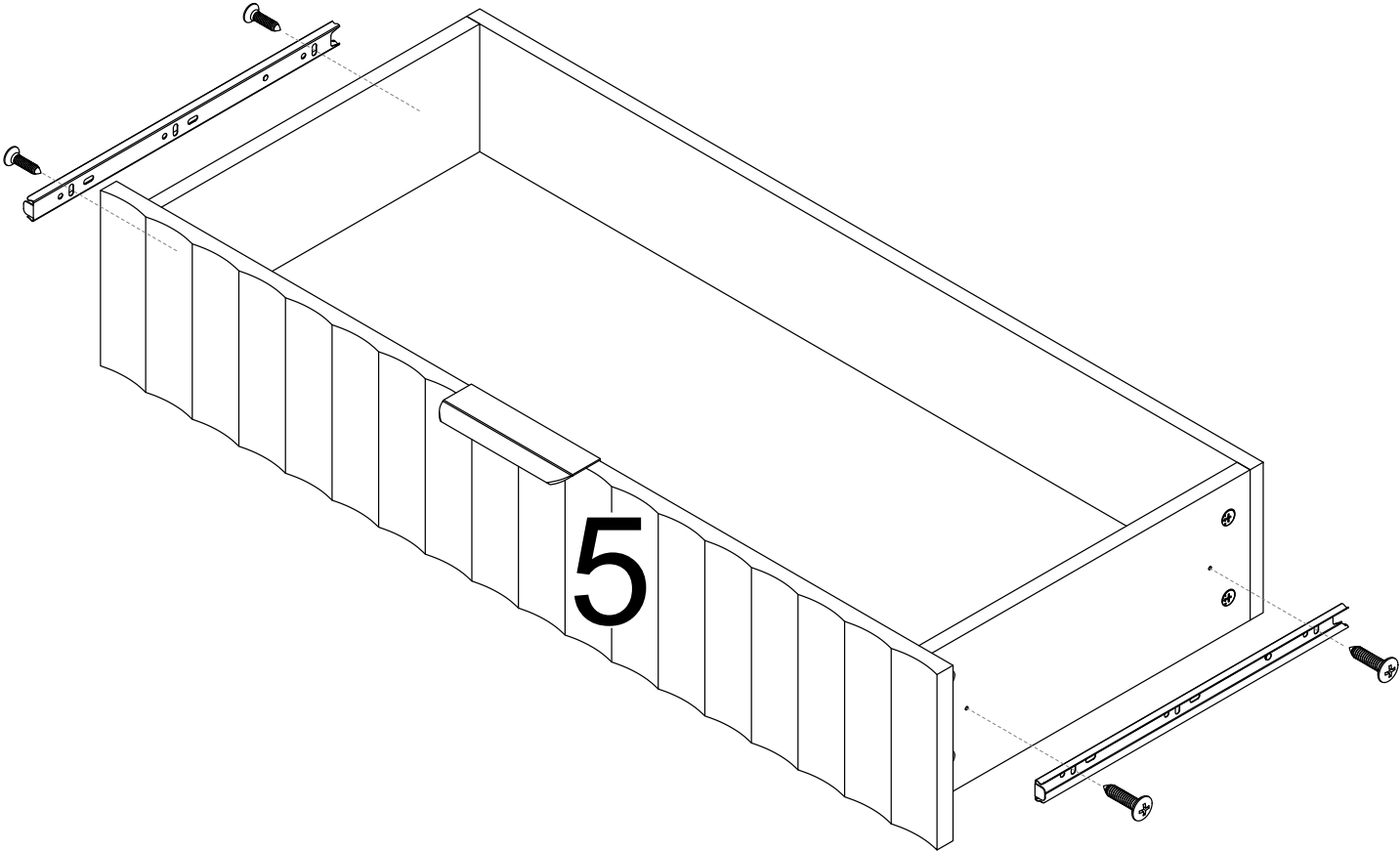
E



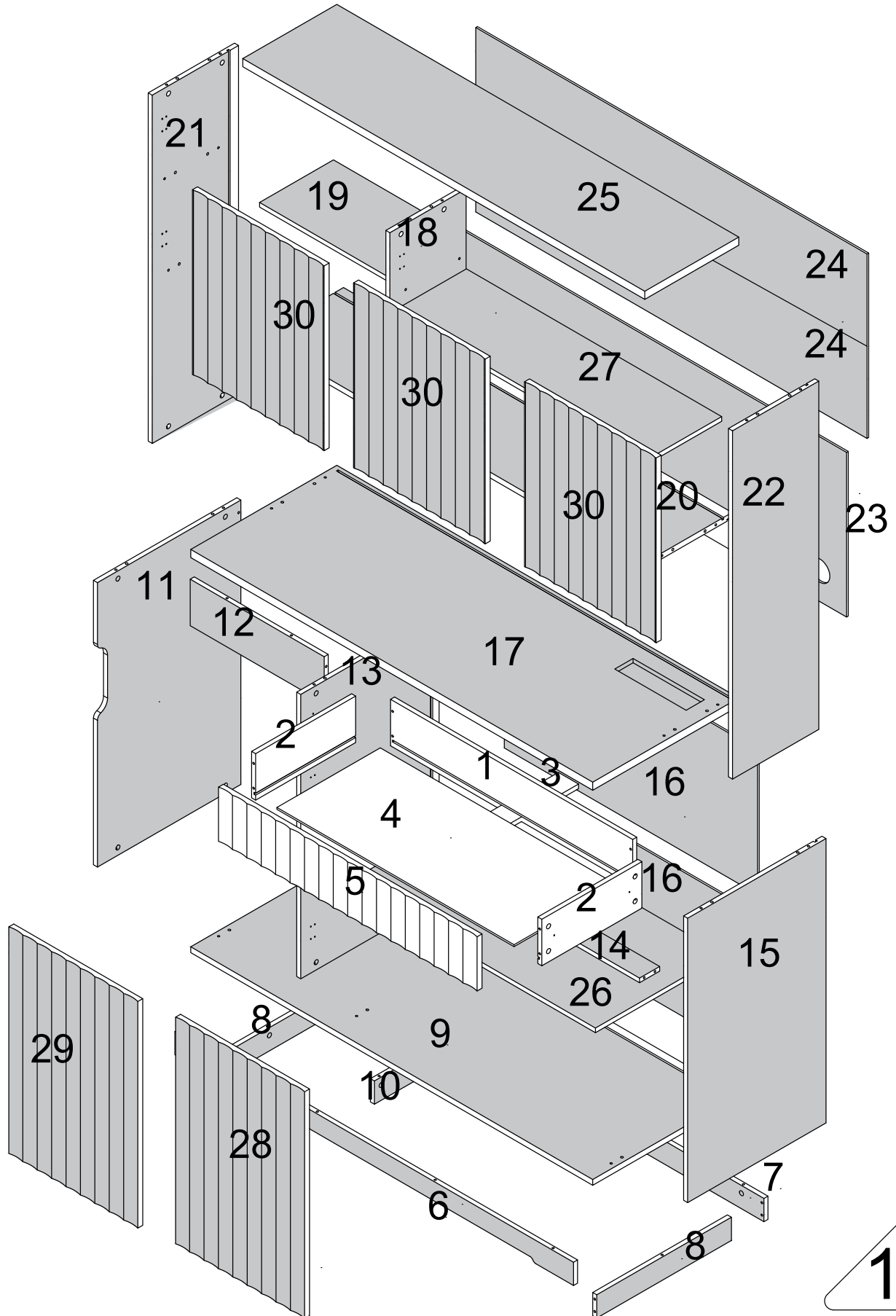
x2



x4

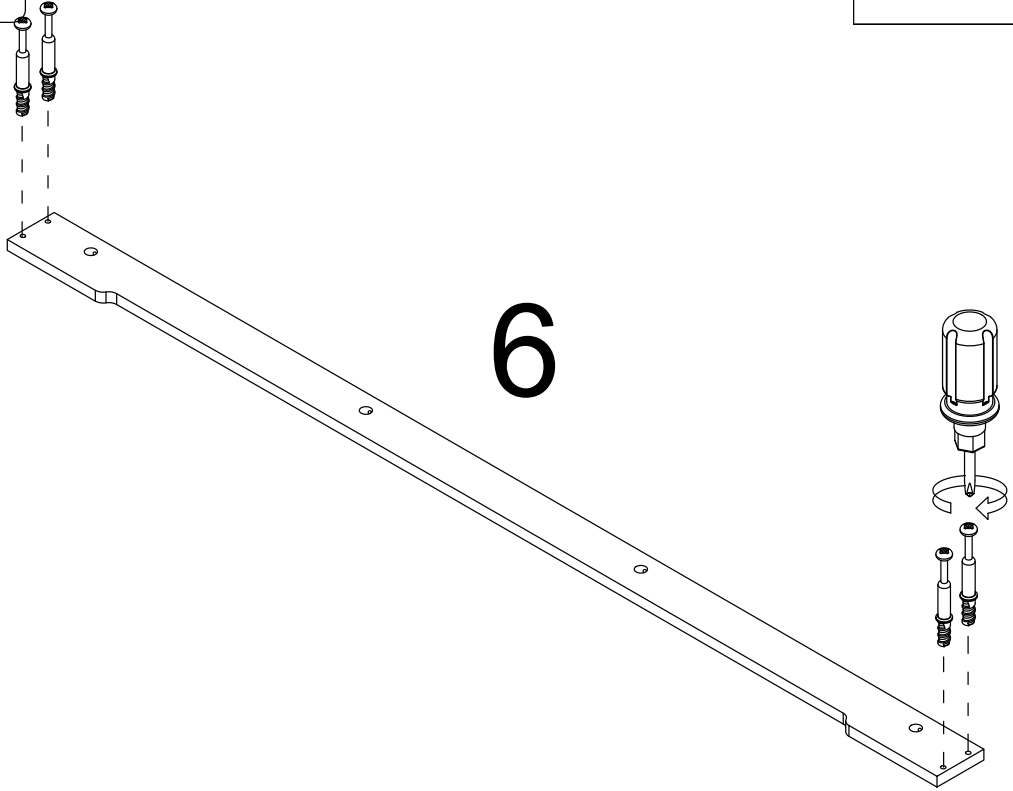
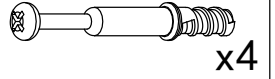


# Product structure decomposition



Step 8

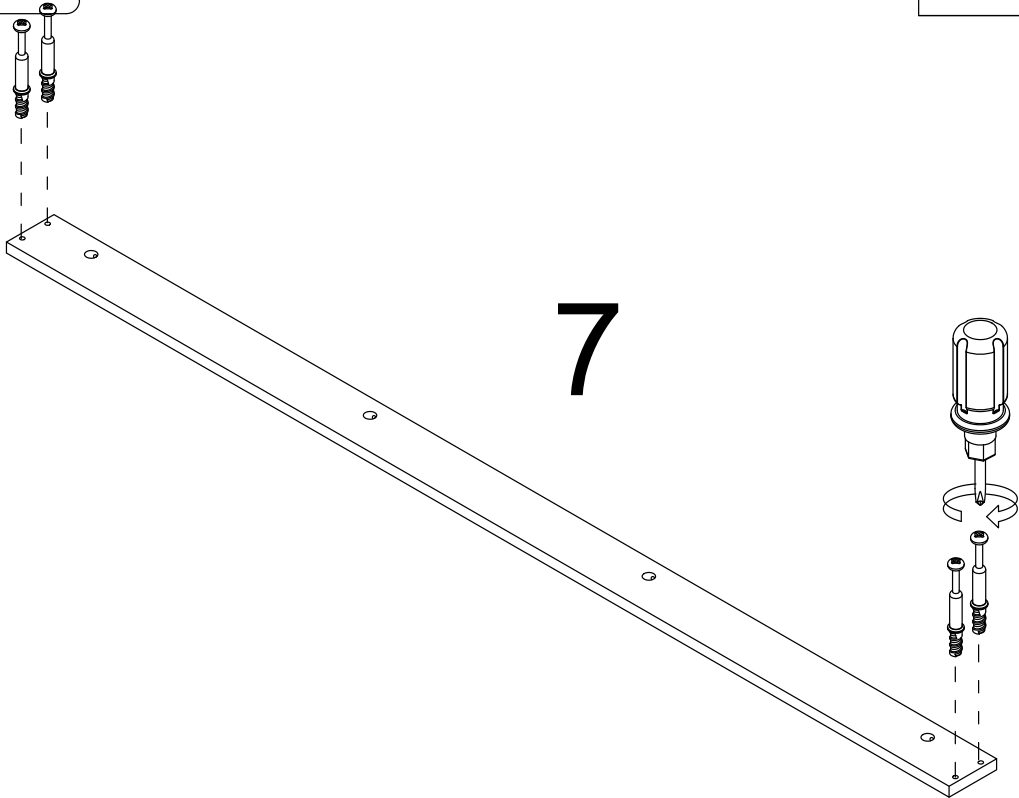
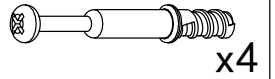
A



6

Step 9

A



7

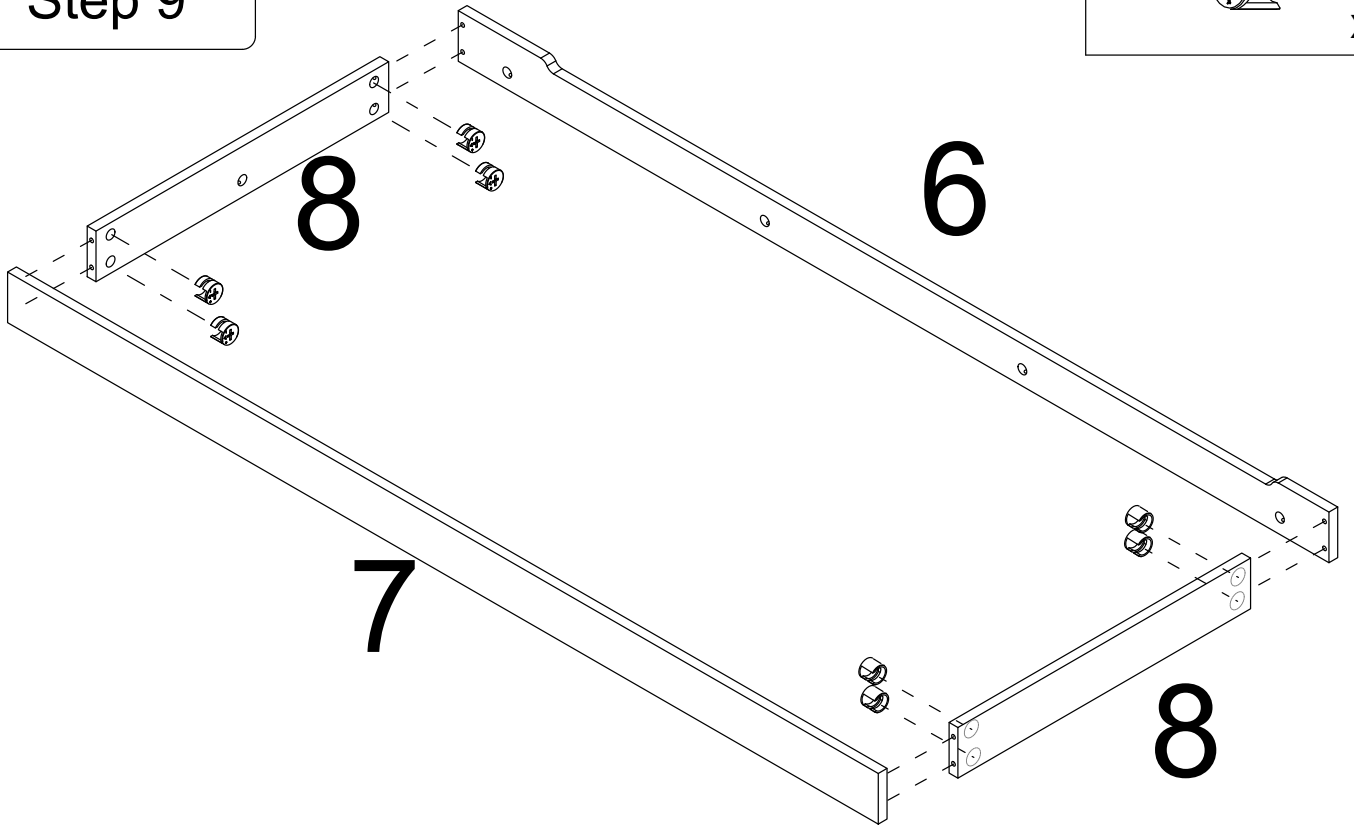
12

Step 9

B

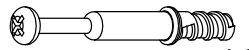


x 8

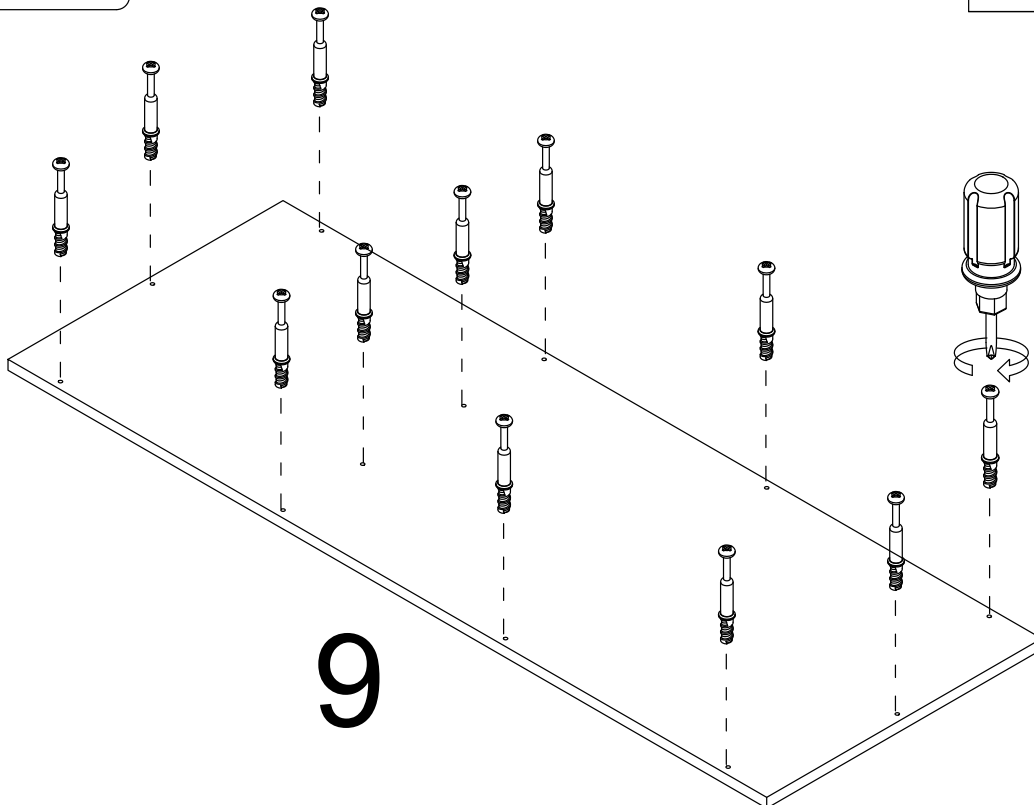


Step 10

A



x12

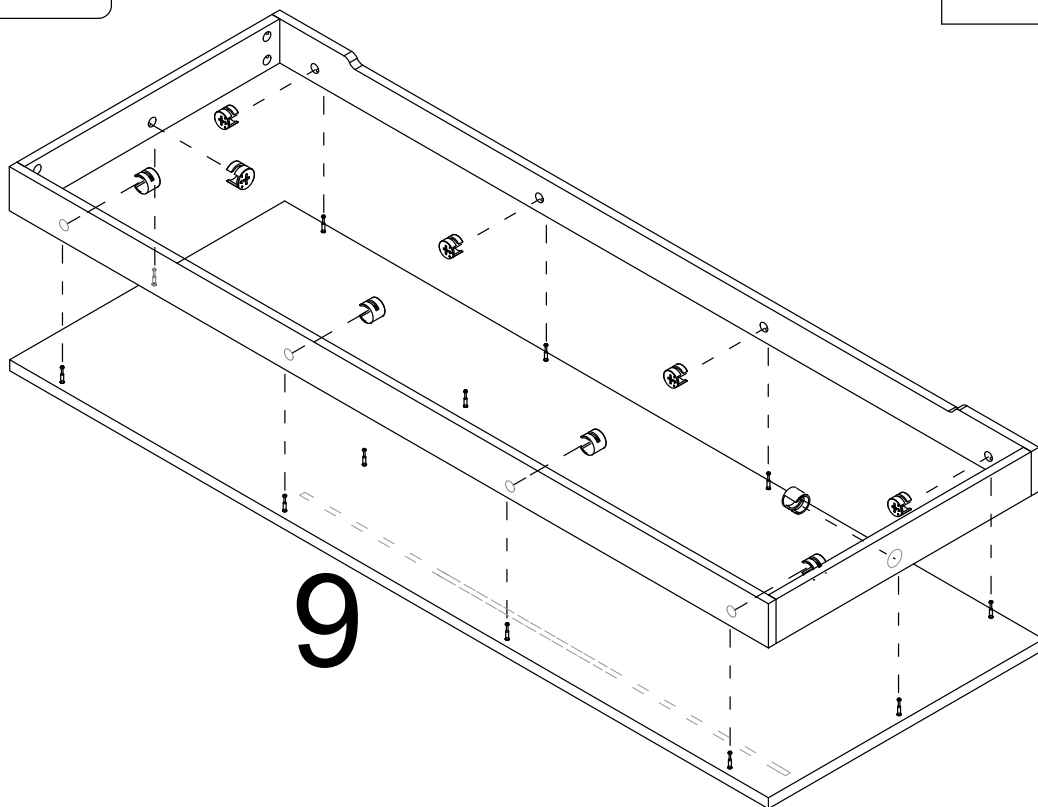


# Step 11

(B)



x 10



Please note the direction of the groove.

# Step 12

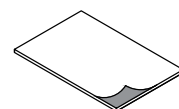
Tear off release paper and stick the black foot pad on the board

(B)

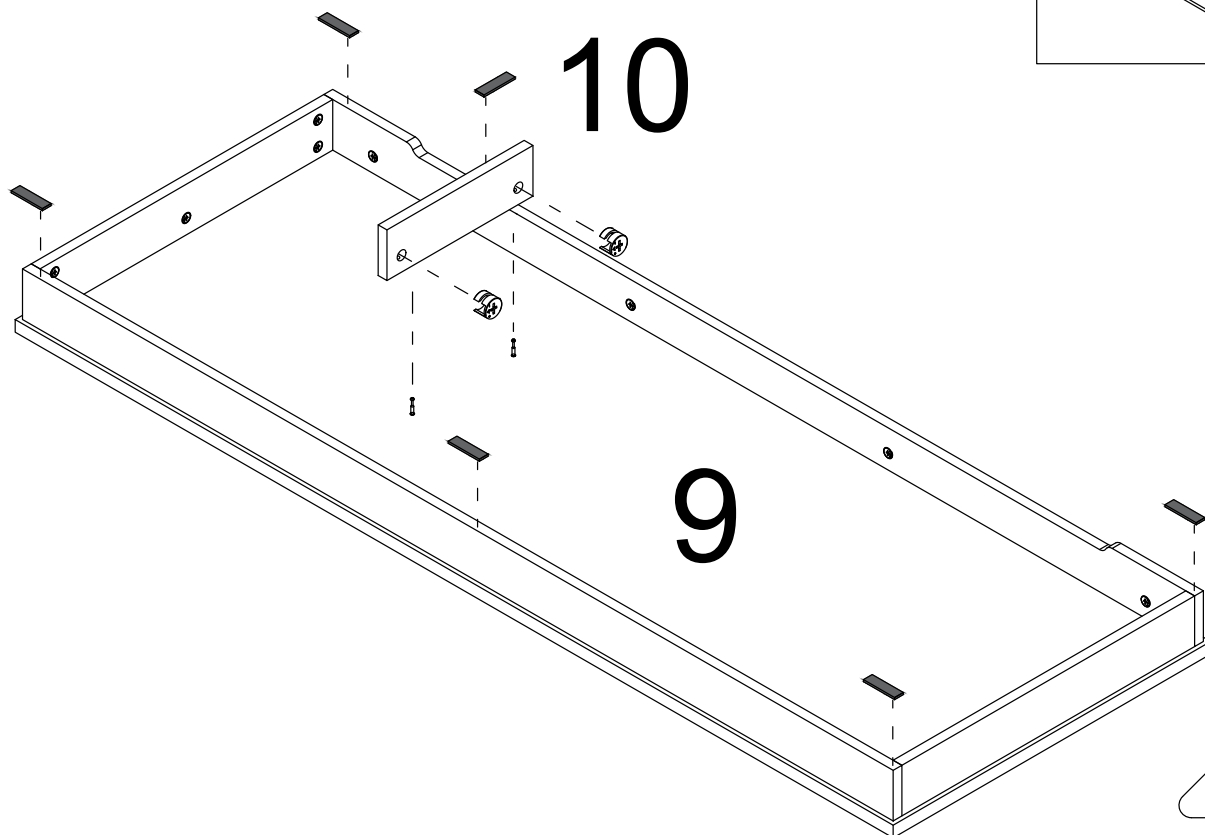


x 2

(J)



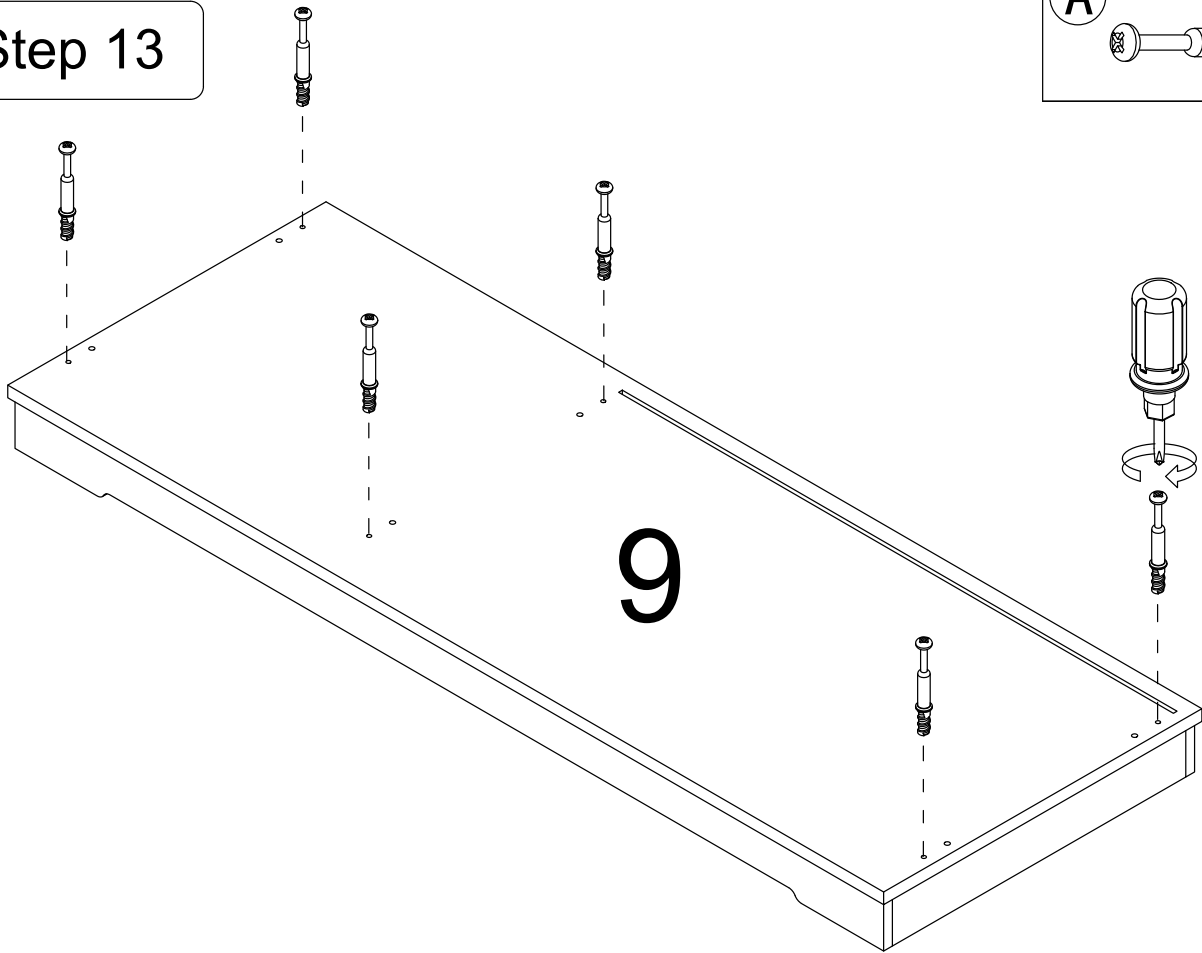
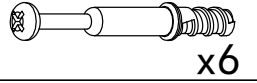
x 6



14

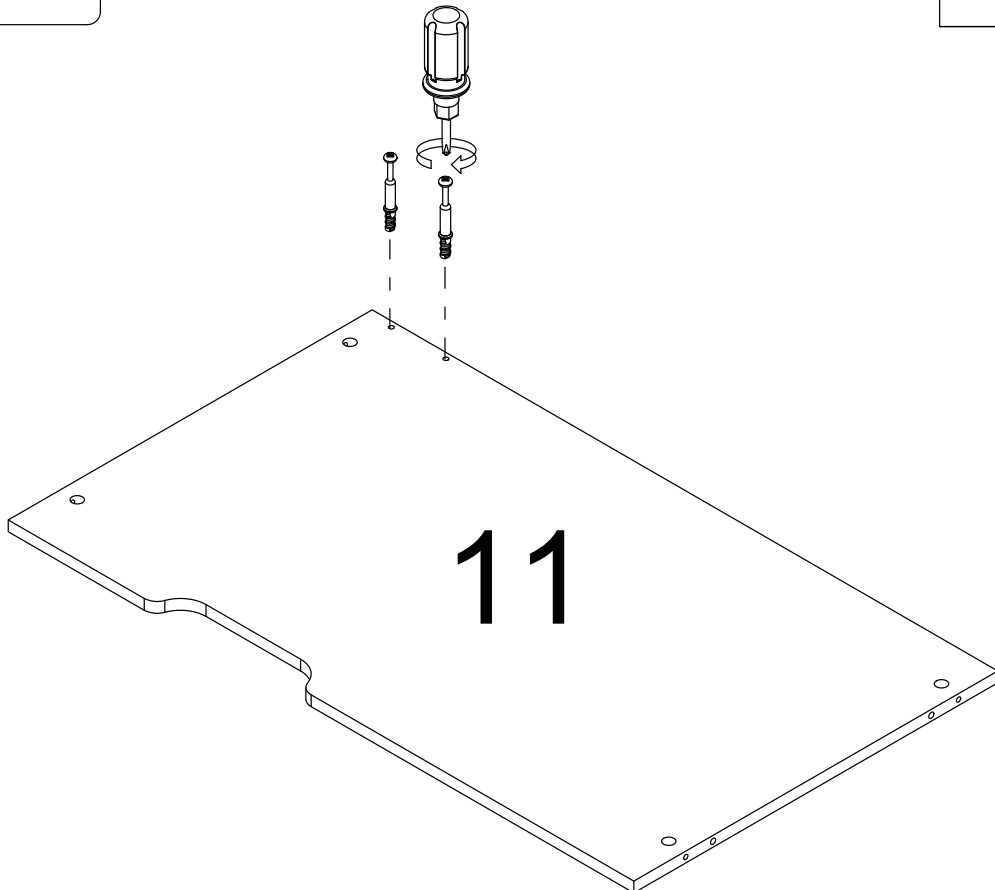
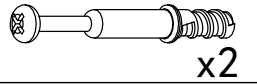
Step 13

A



Step 14

A

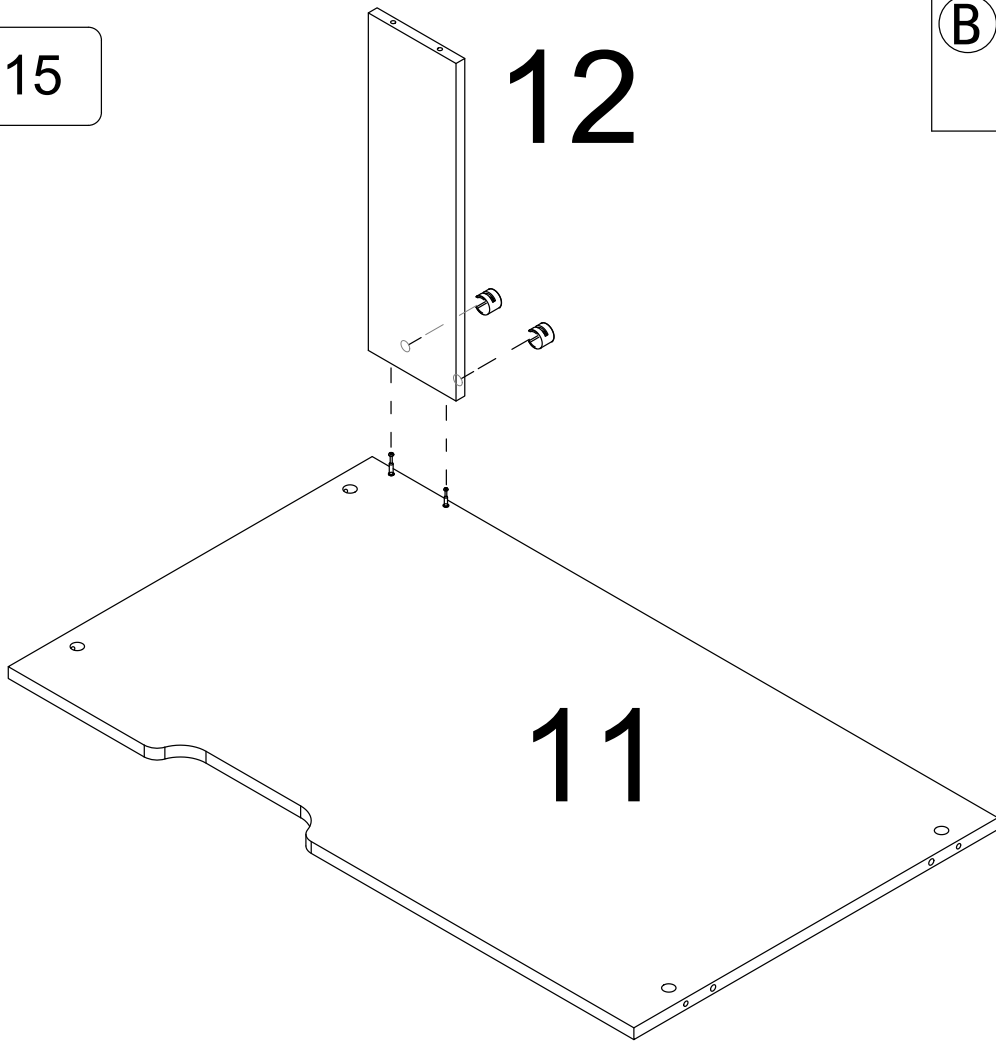


Step 15

B

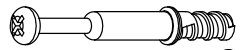


x 2

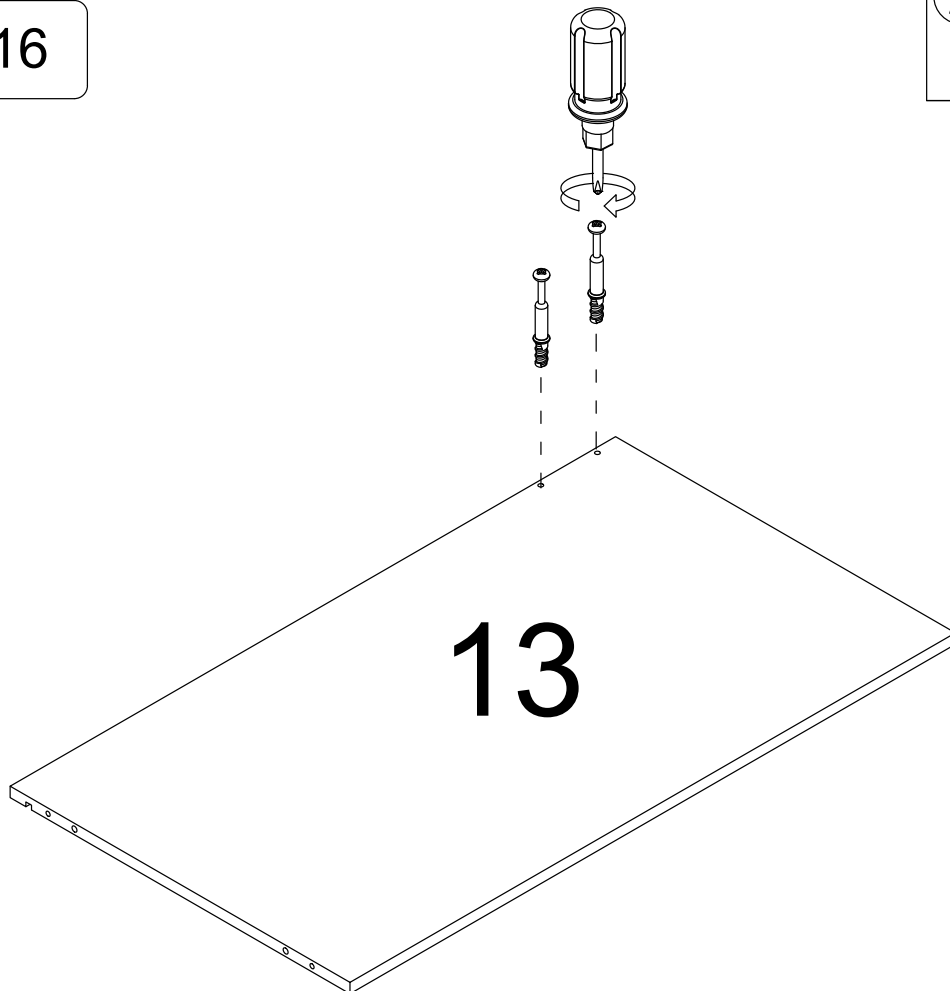


Step 16

A

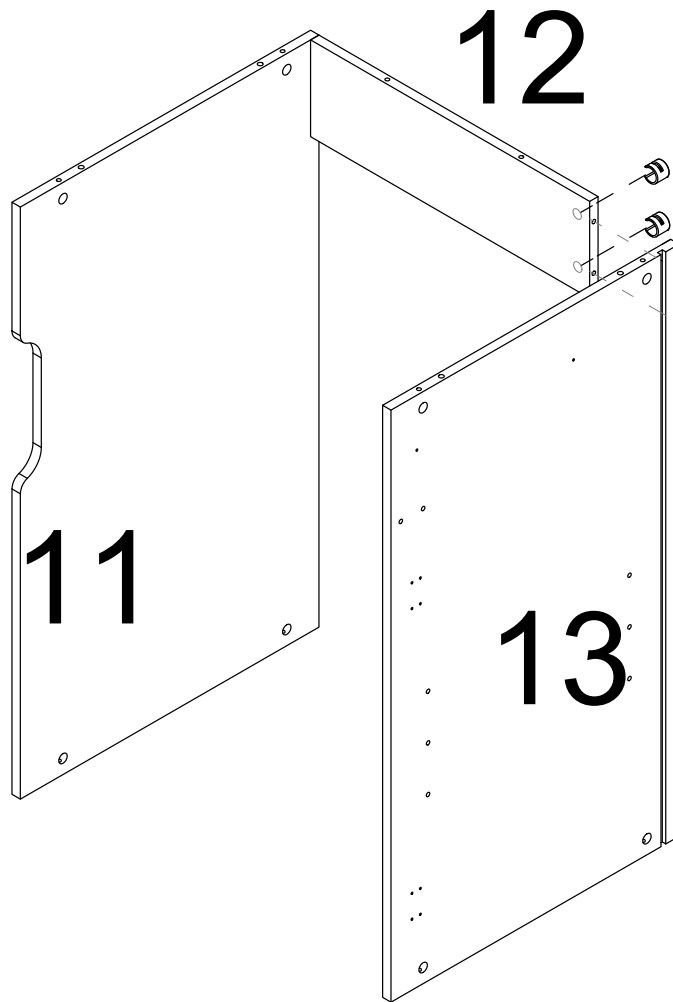


x 2



16

Step 17

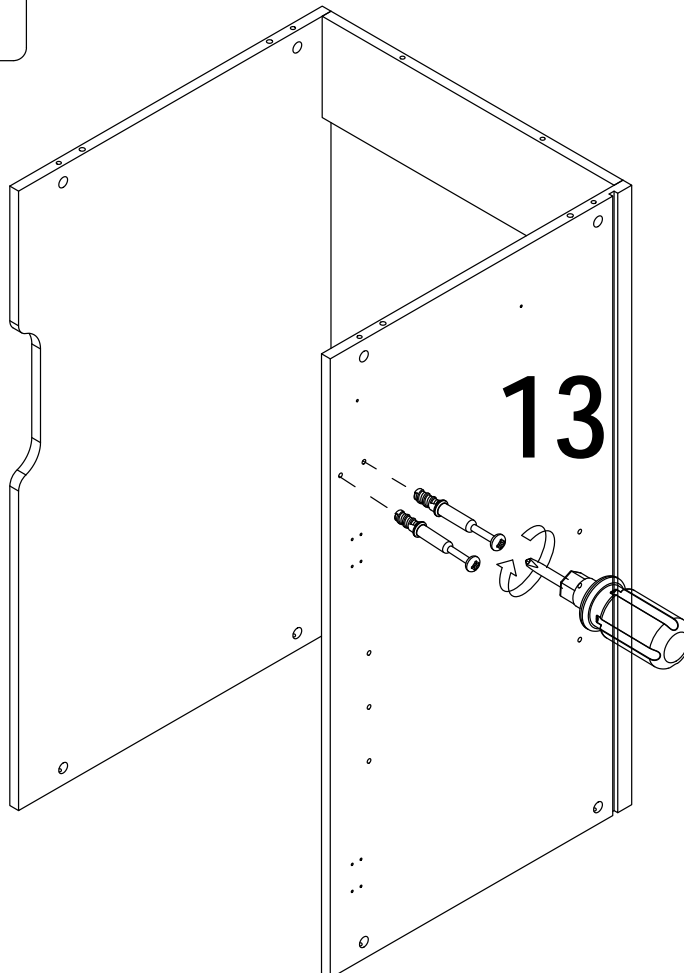


B

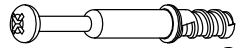


x 2

Step 18



A



x 2

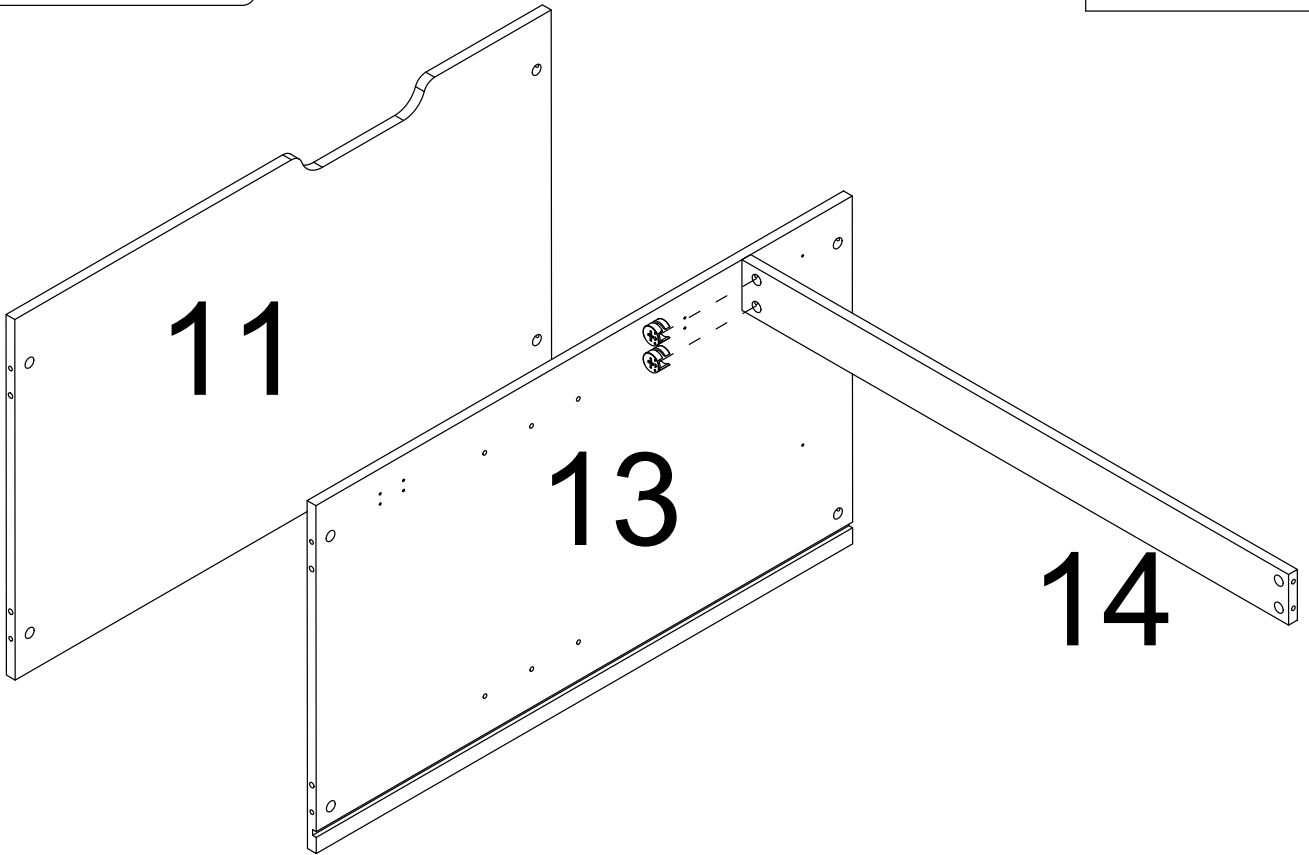
17

Step 19

B

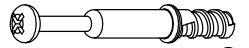


x 2

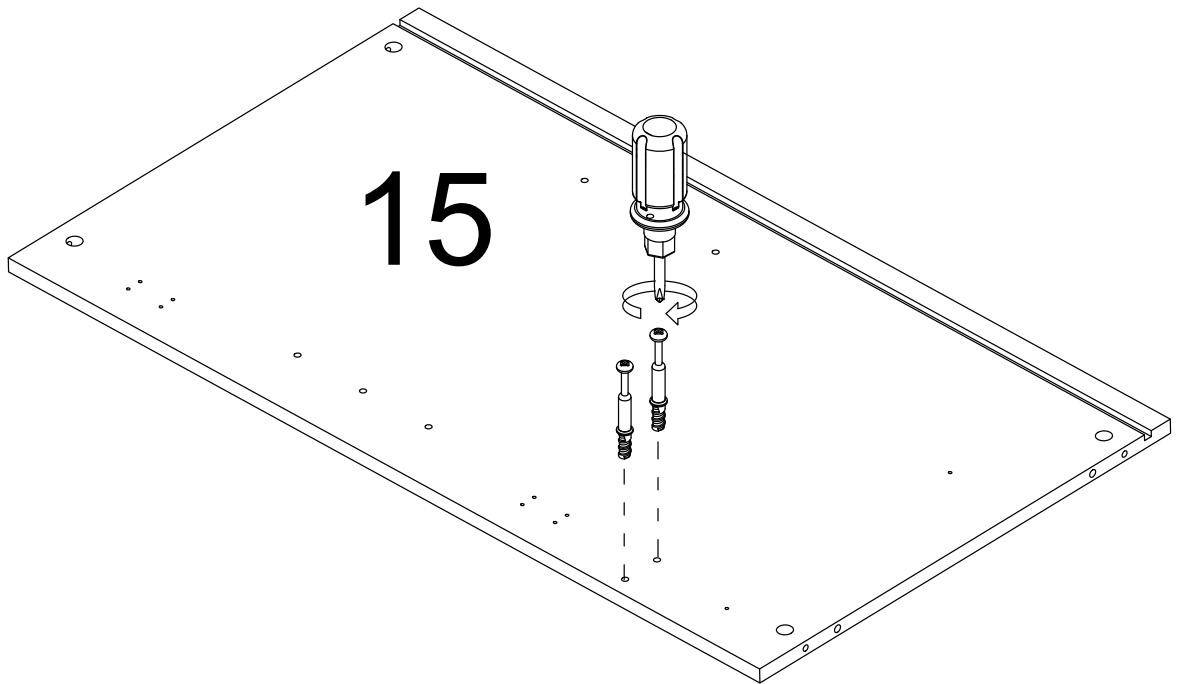


Step 20

A

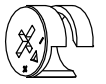


x2

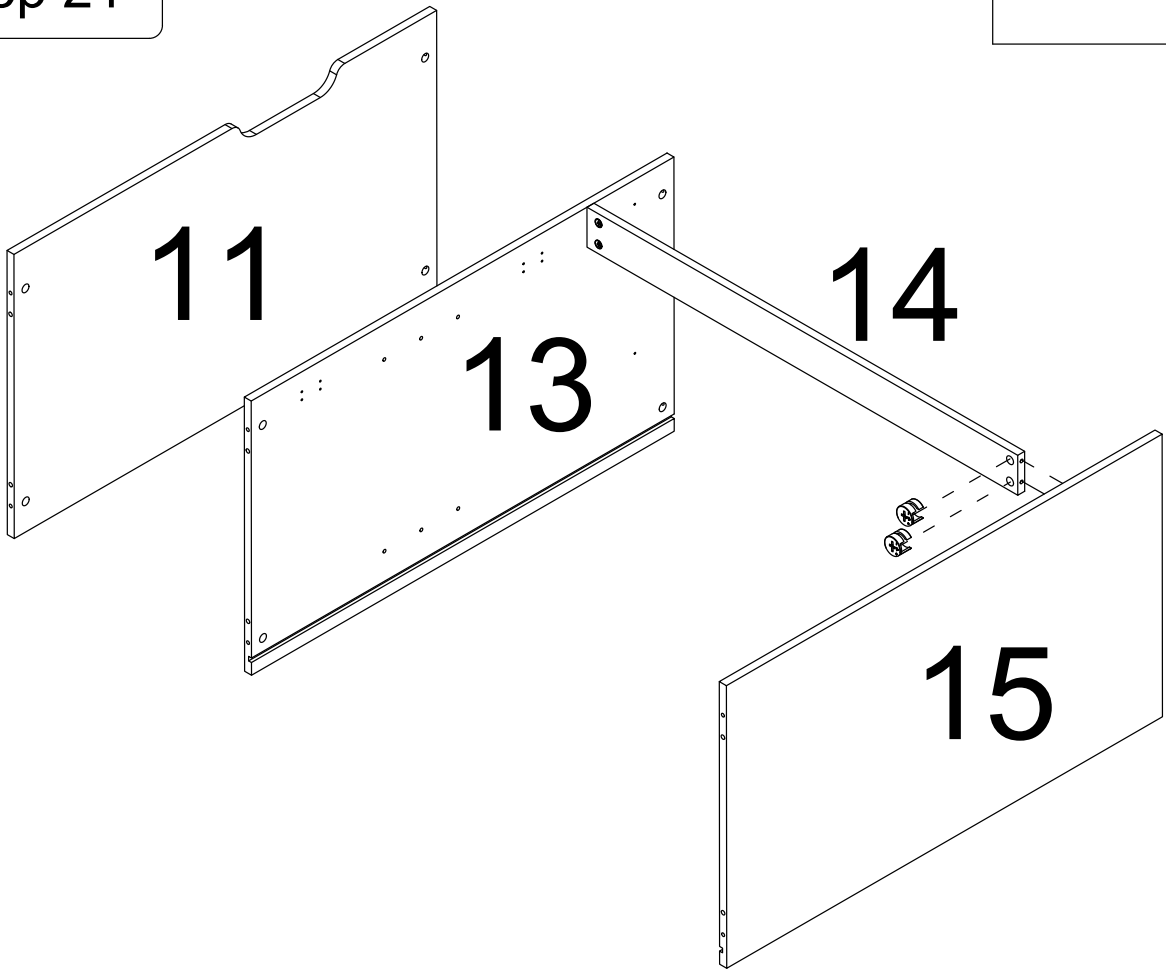


Step 21

B



x 2

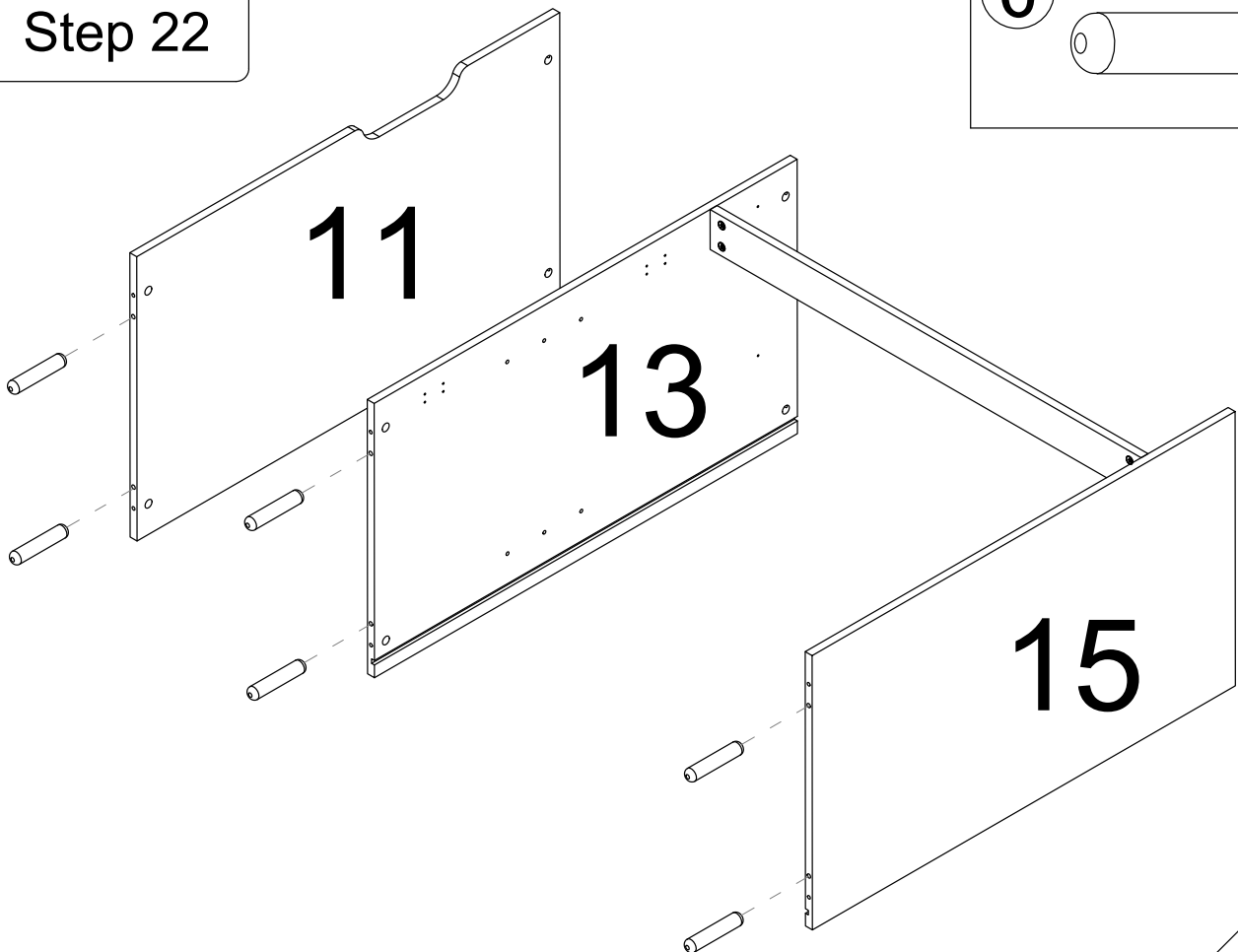


Step 22

C



x6



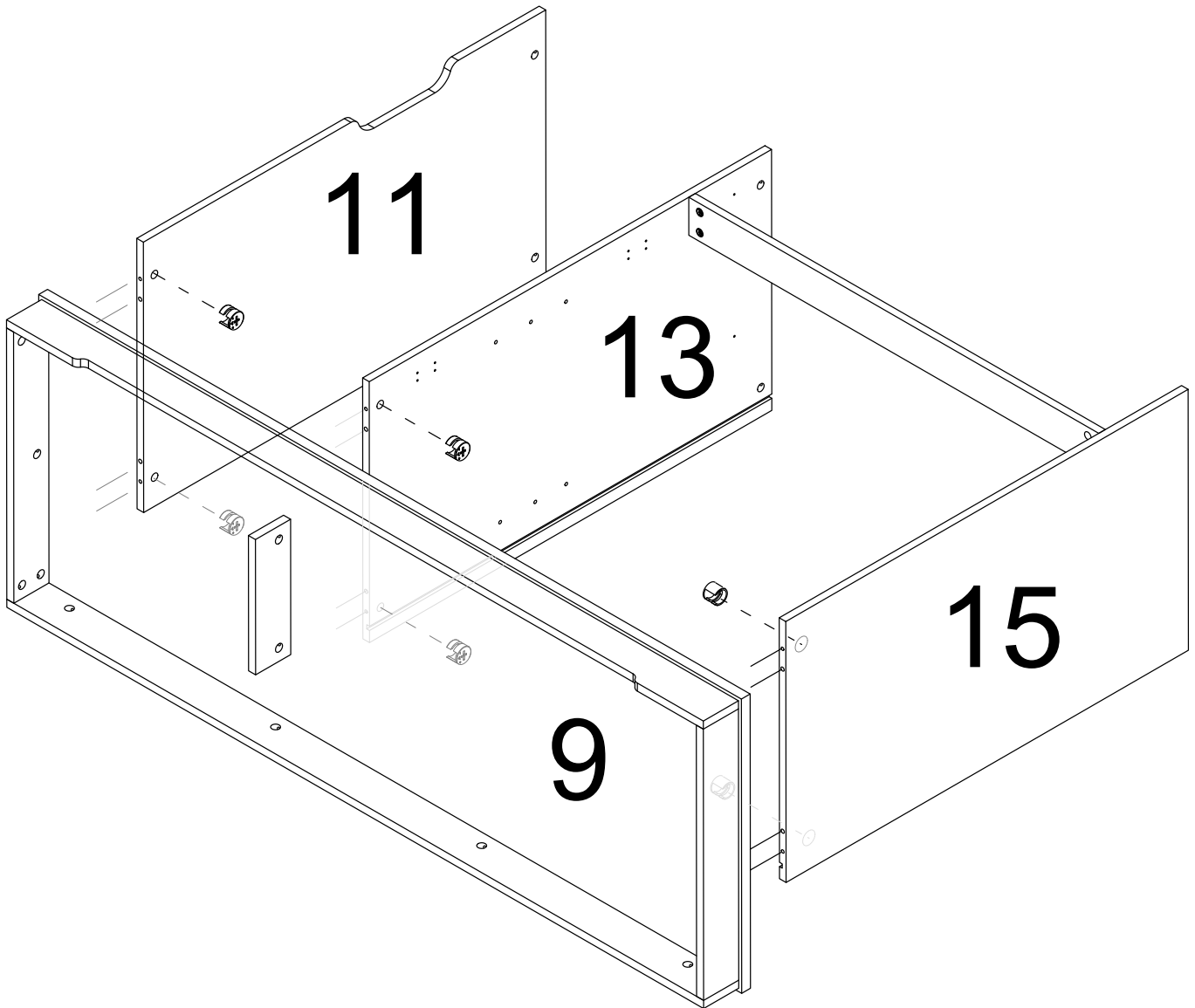
19

## Step 23

**B**

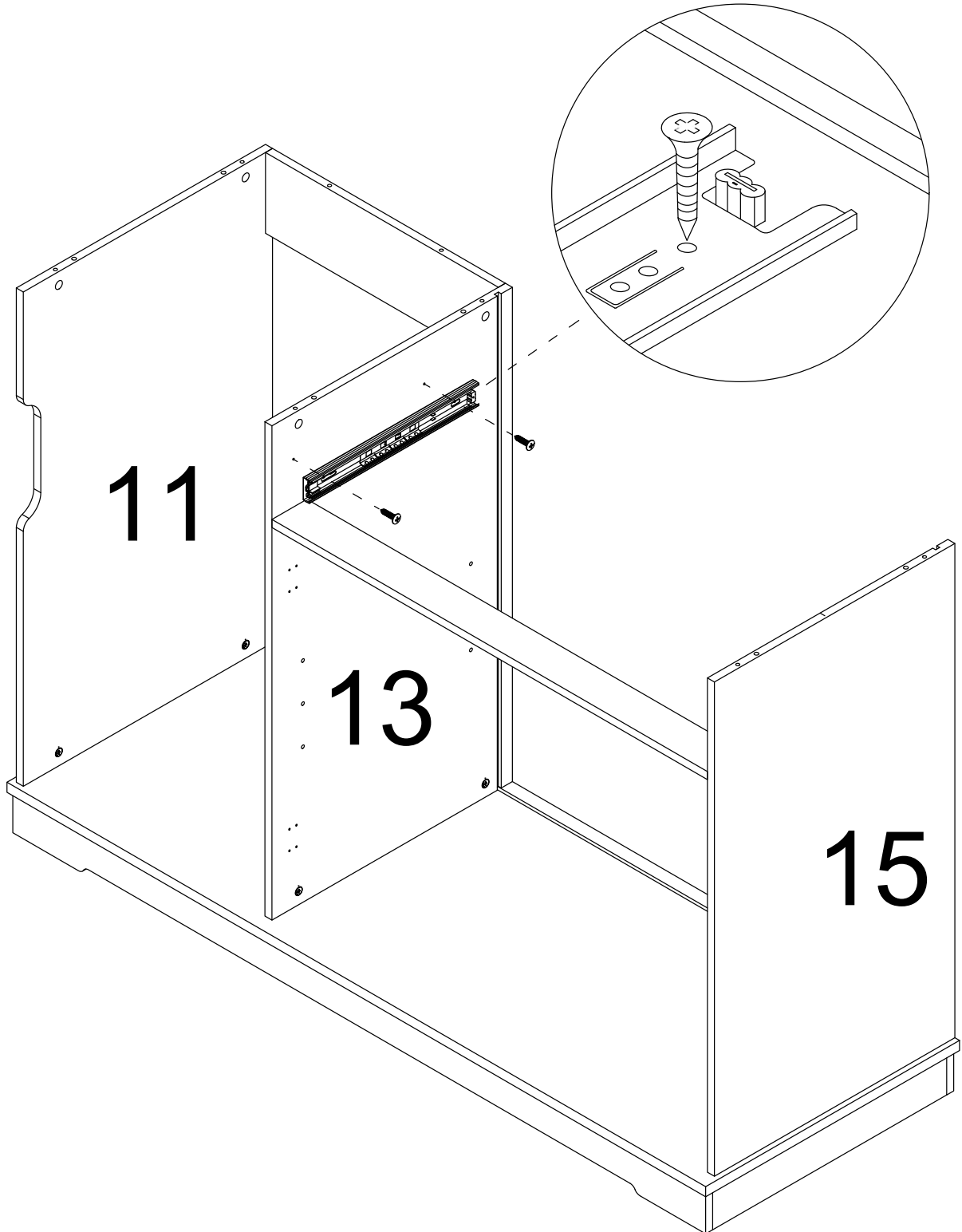
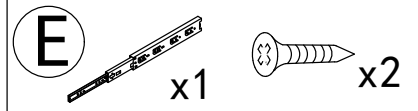
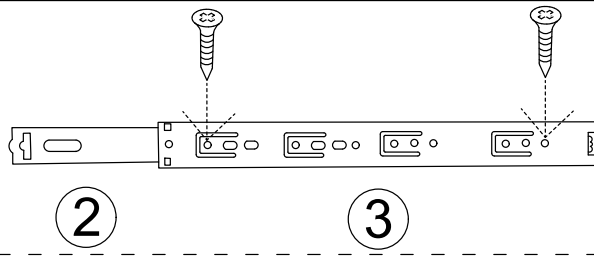


x 6

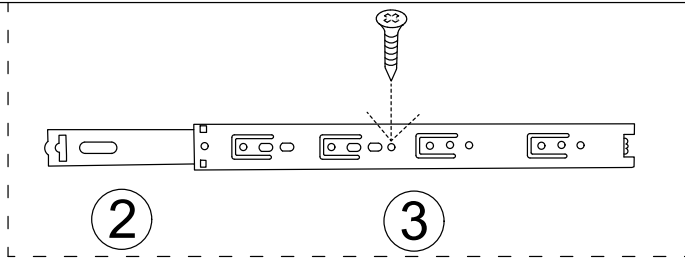


It is recommended that two people work together to install the structural wood panels.

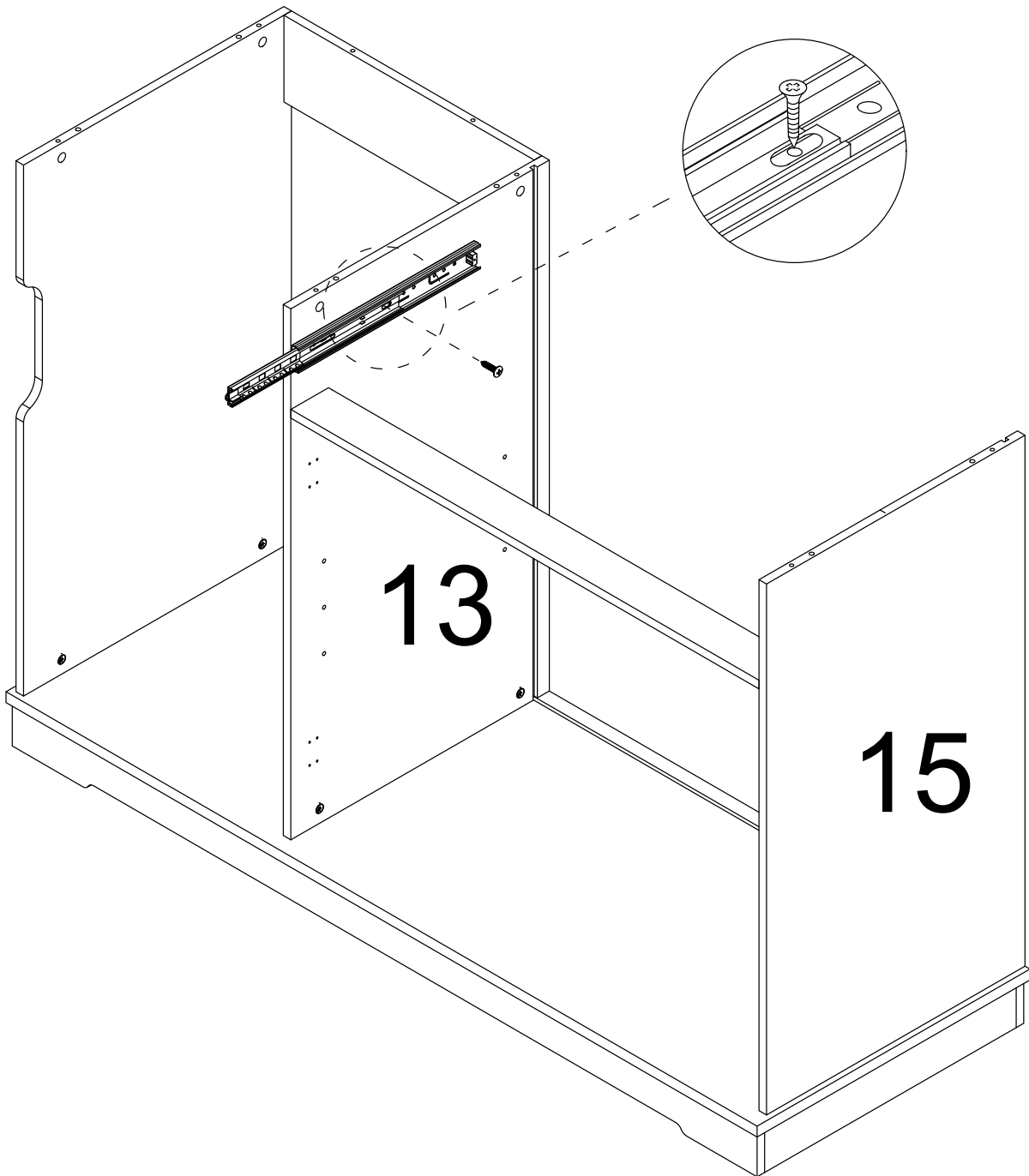
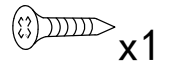
# Step 24



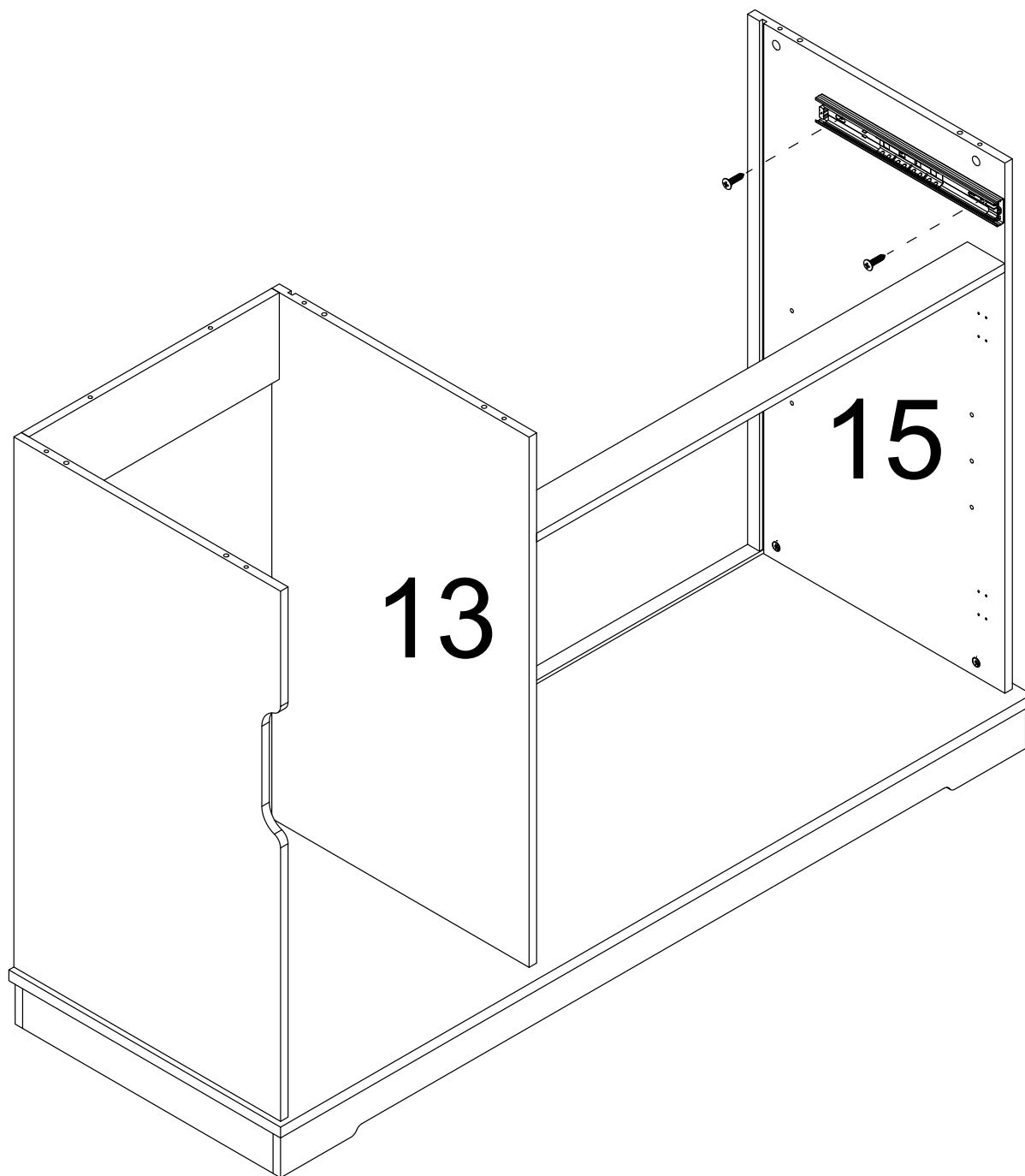
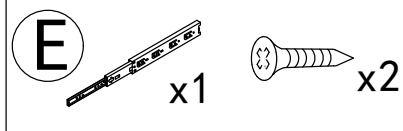
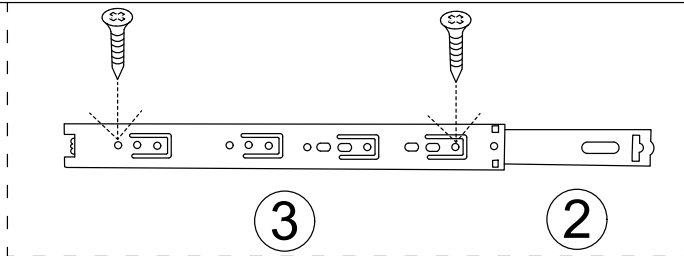
# Step 25



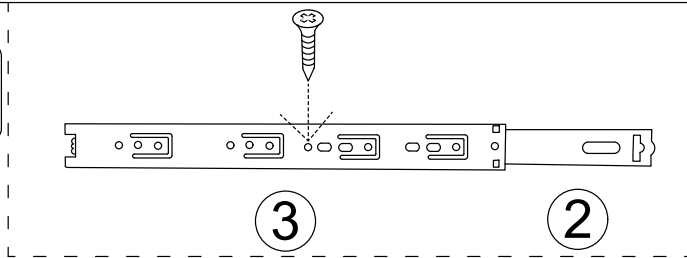
**E**



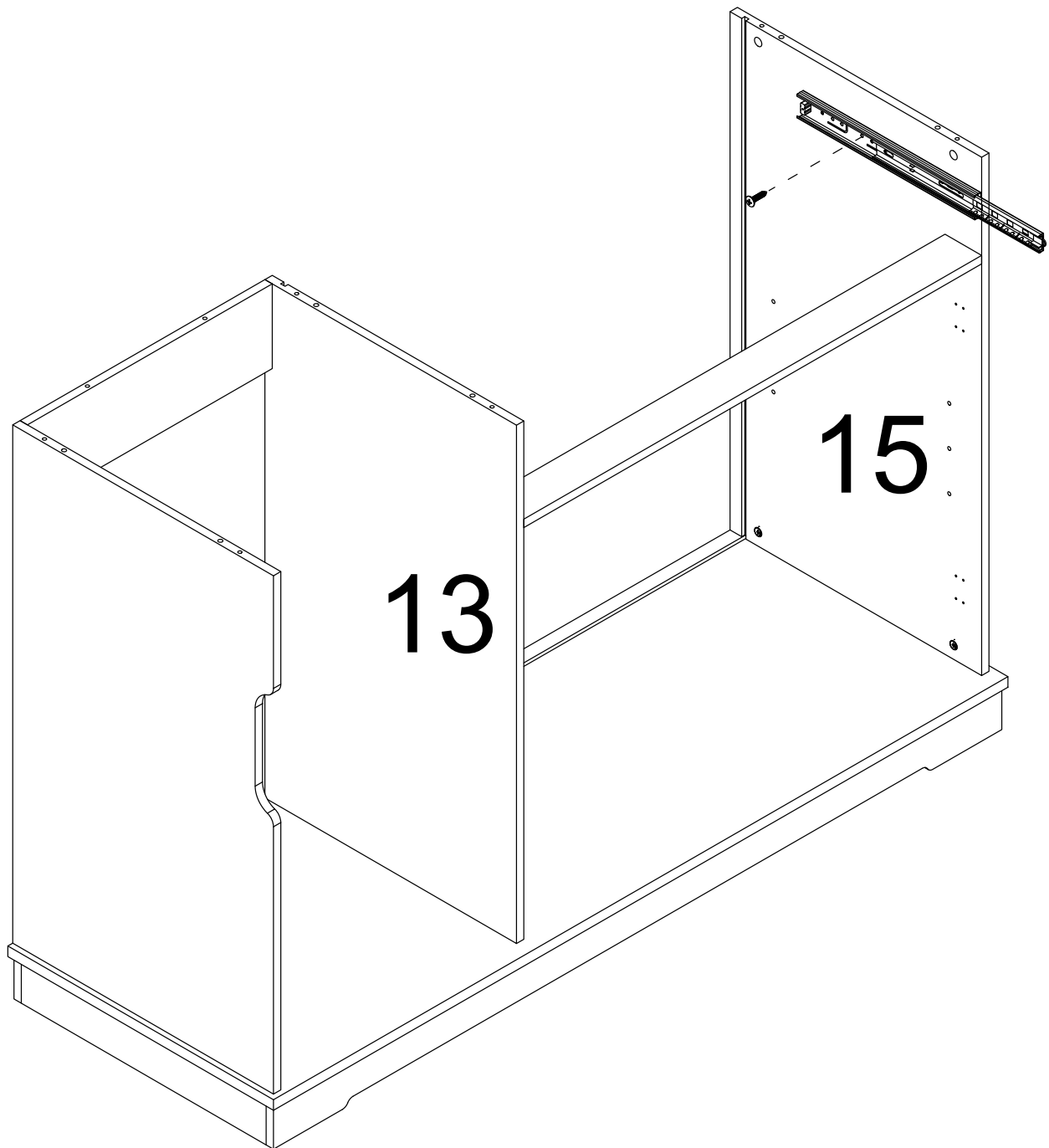
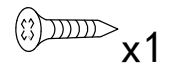
# Step 26



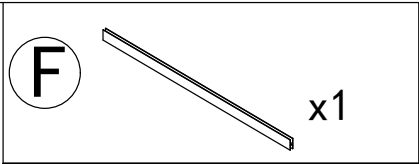
# Step 27



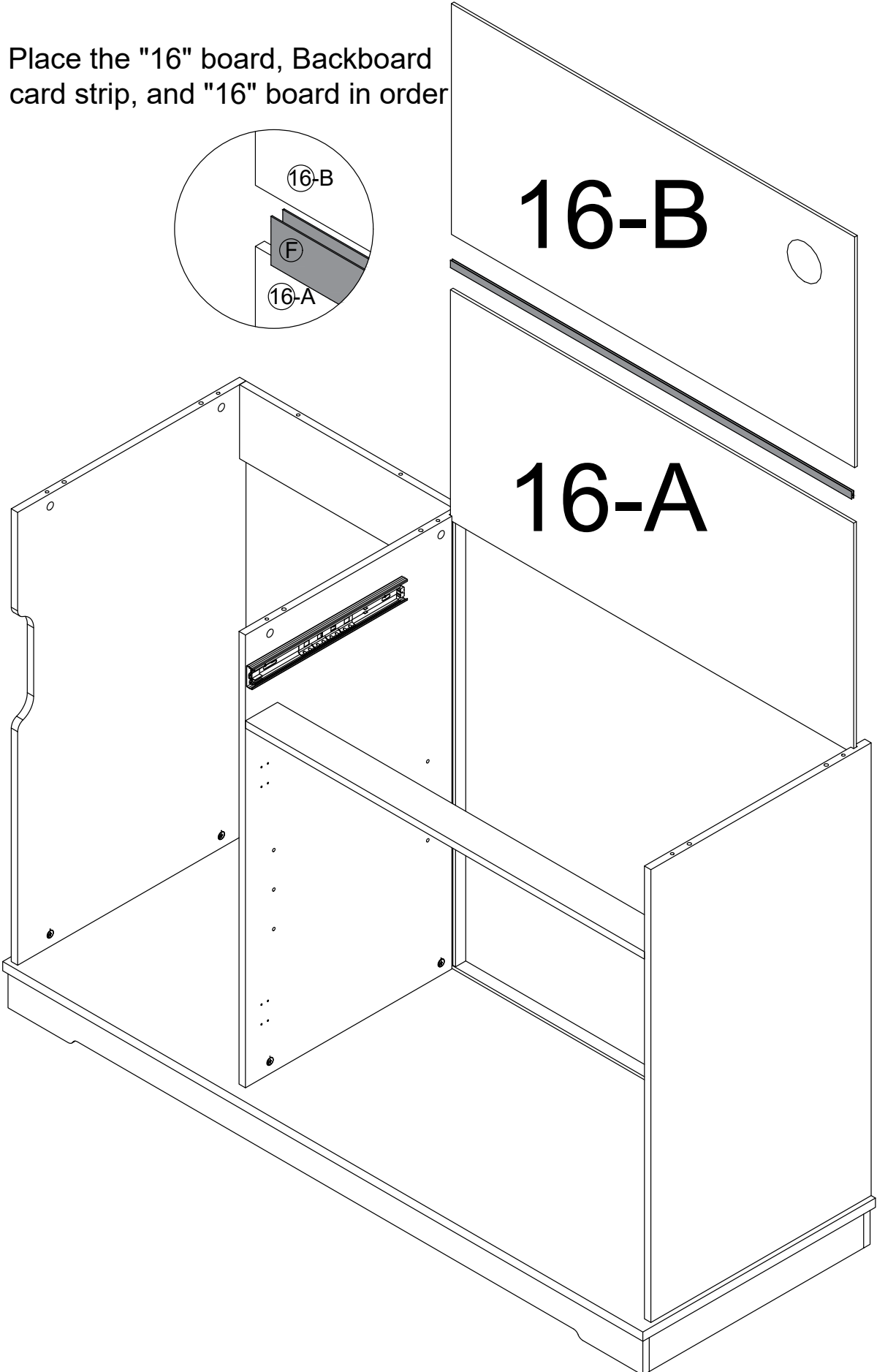
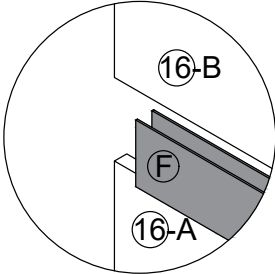
**E**



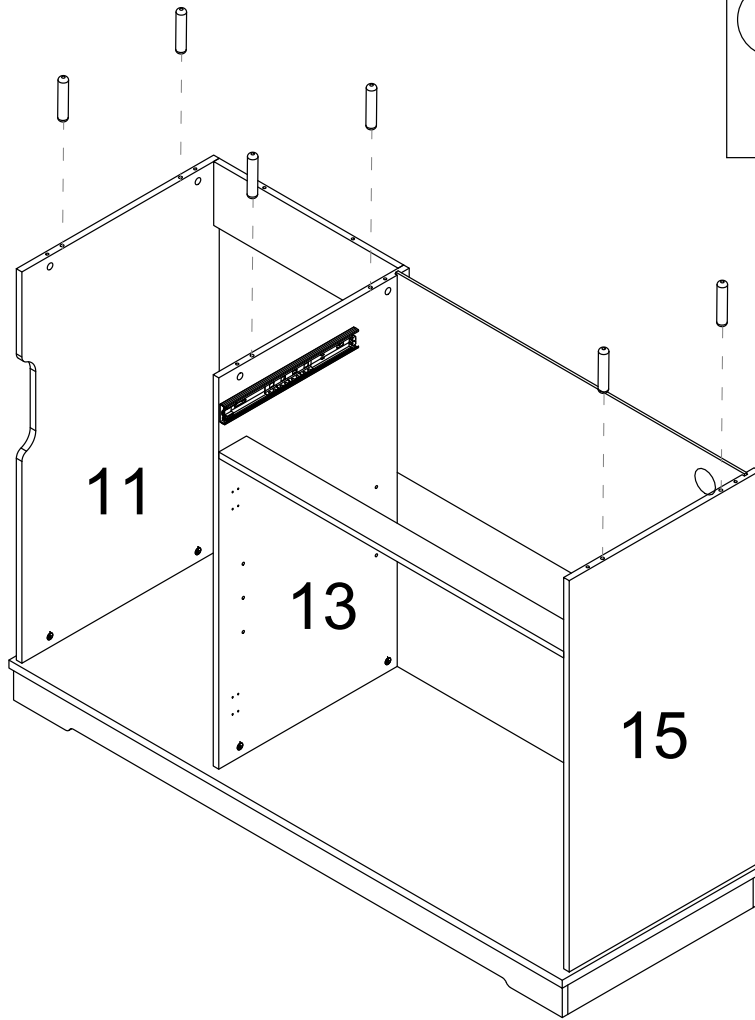
Step 28



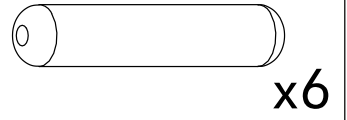
Place the "16" board, Backboard card strip, and "16" board in order



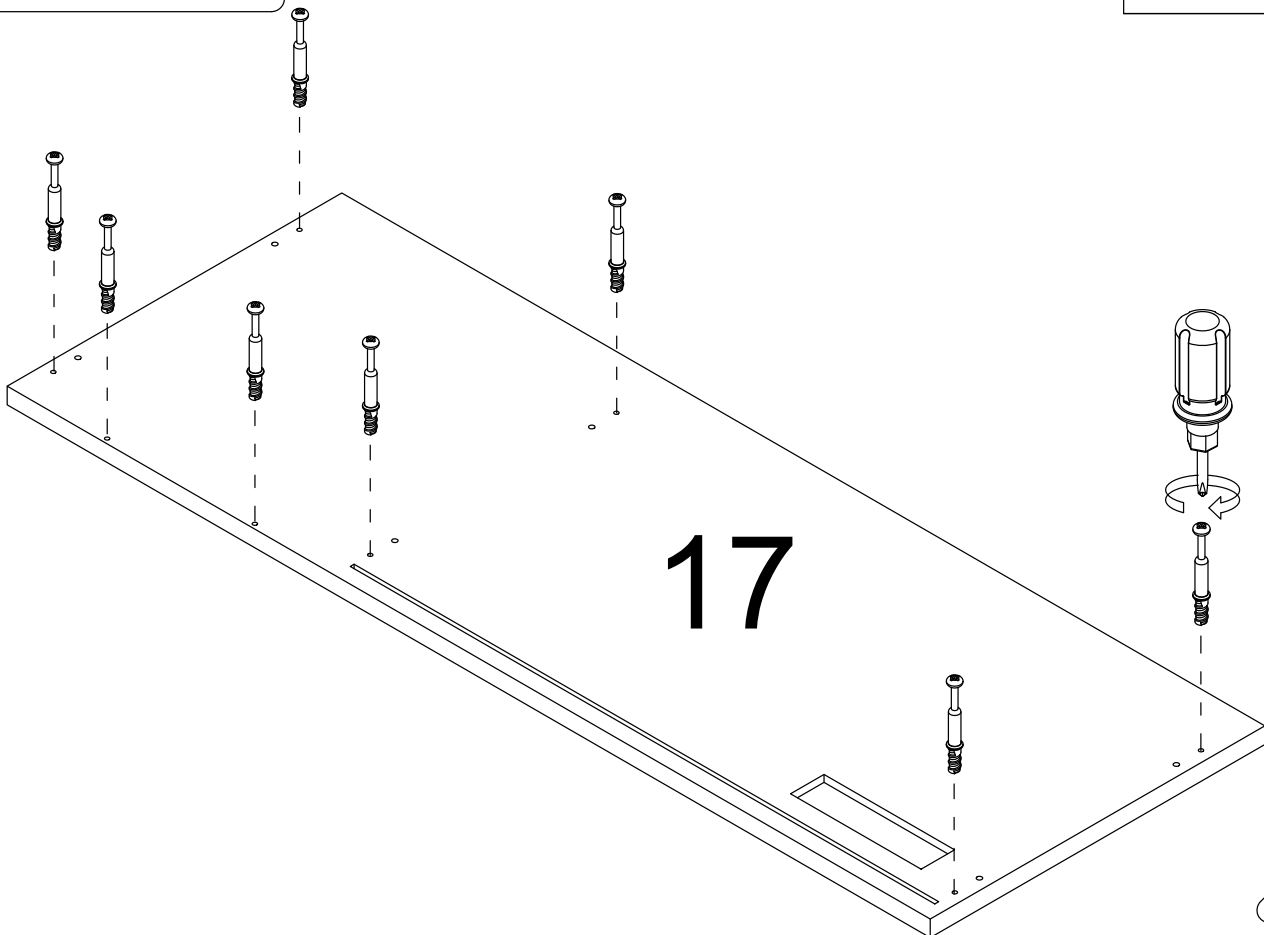
Step 29



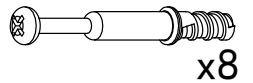
C



Step 30



A



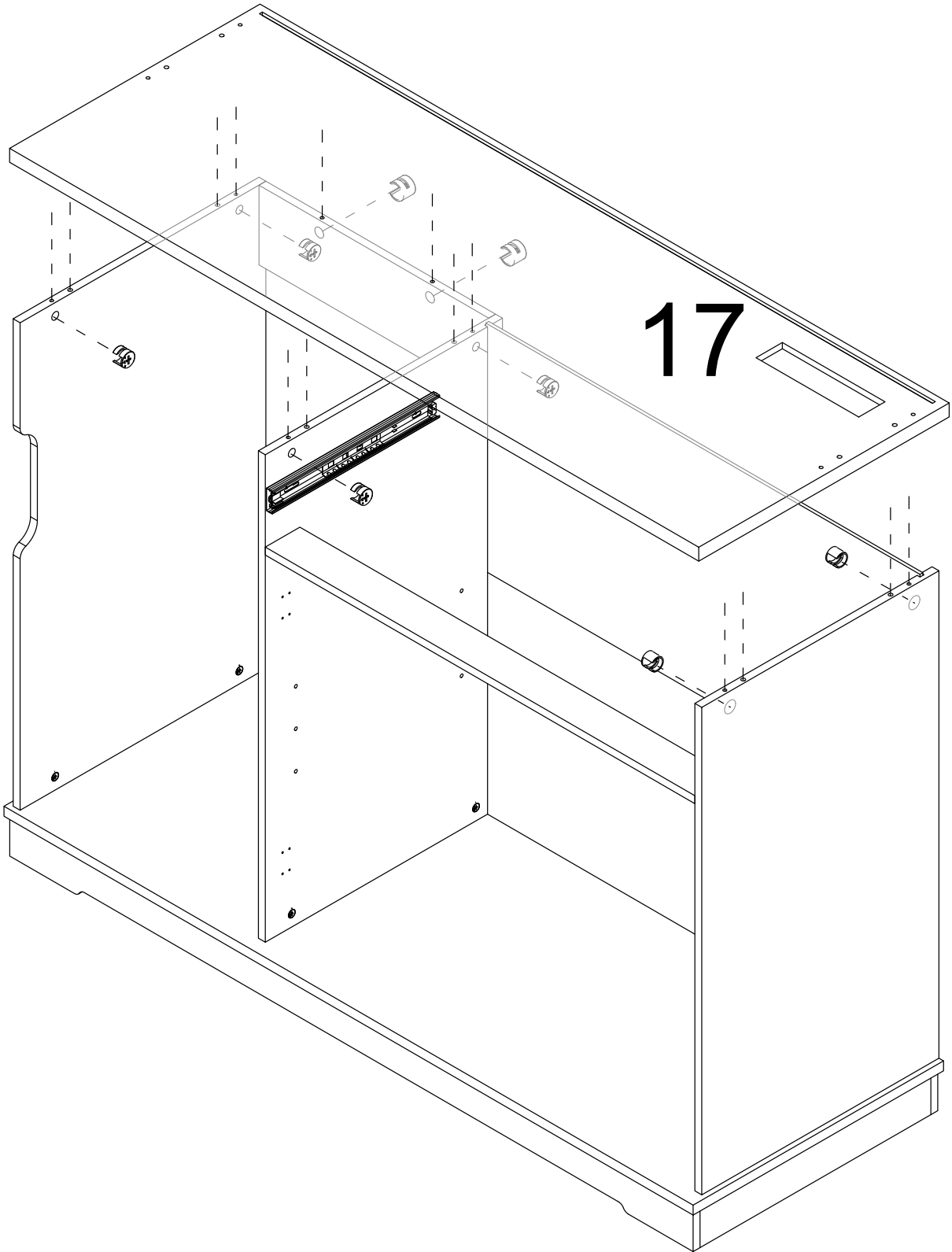
26

Step 31

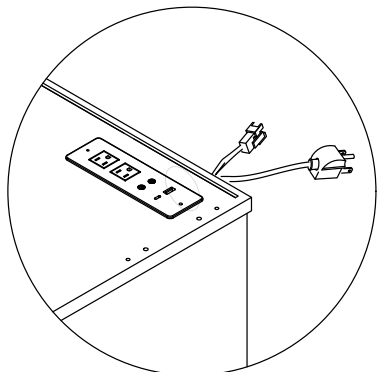
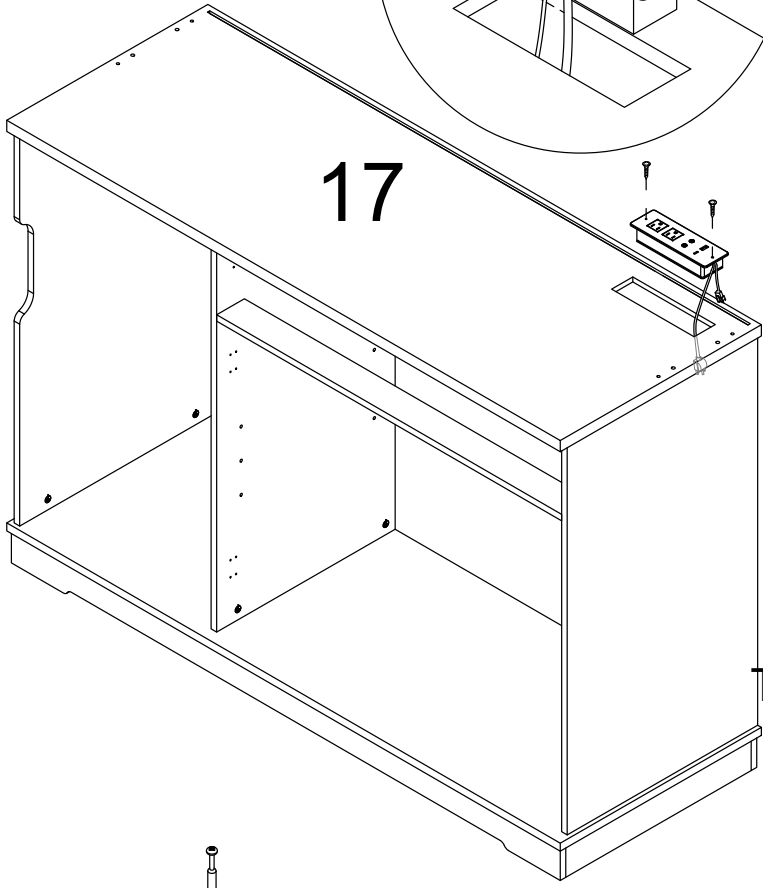
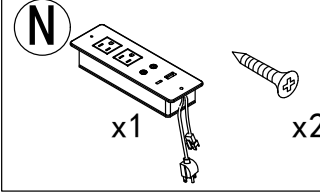
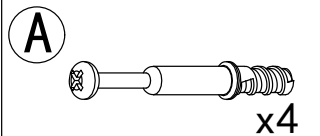
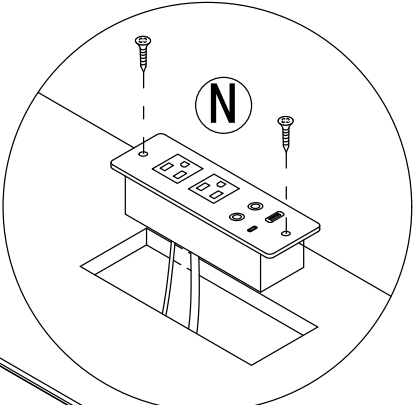
B



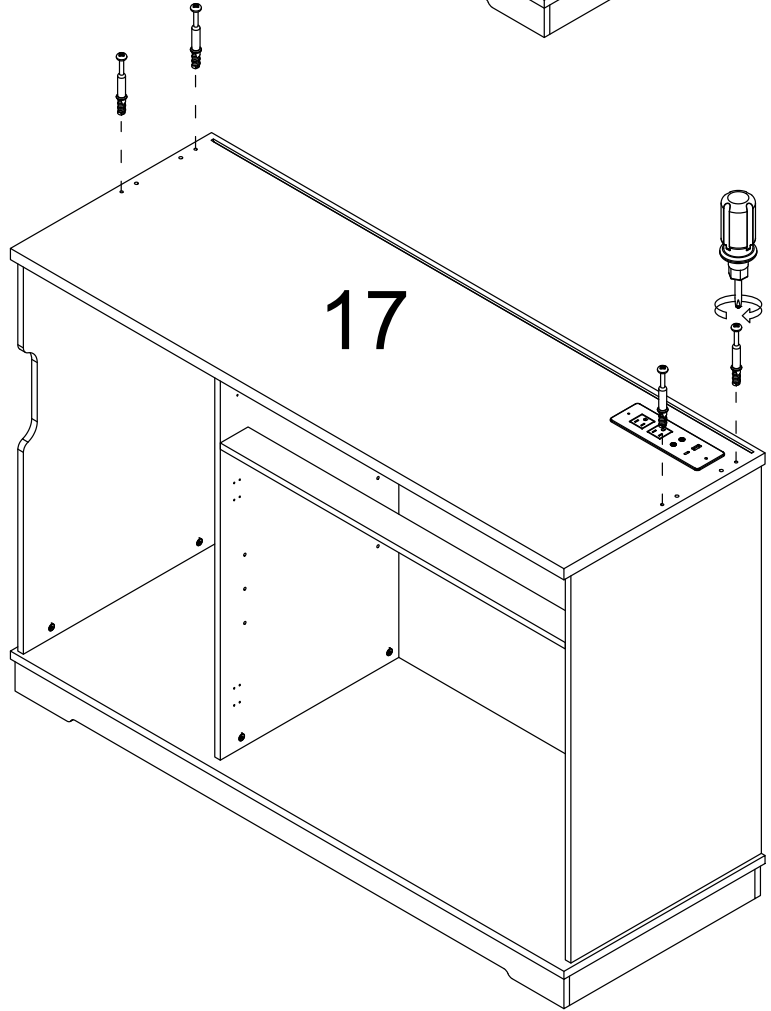
x 8



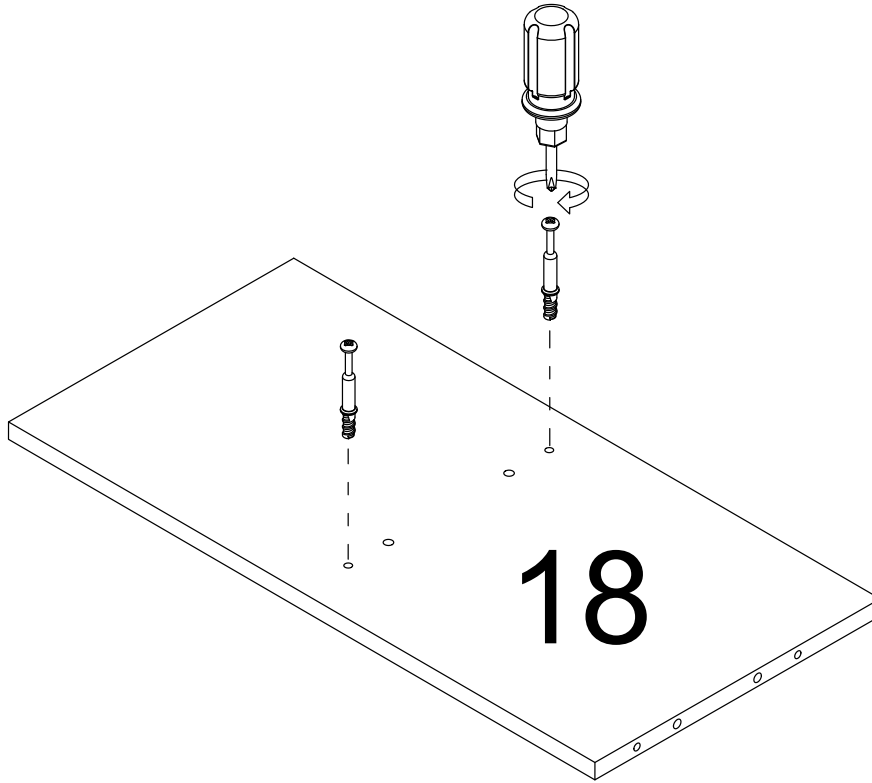
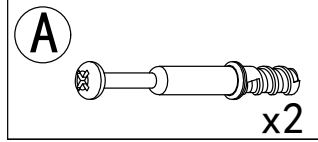
Step 32



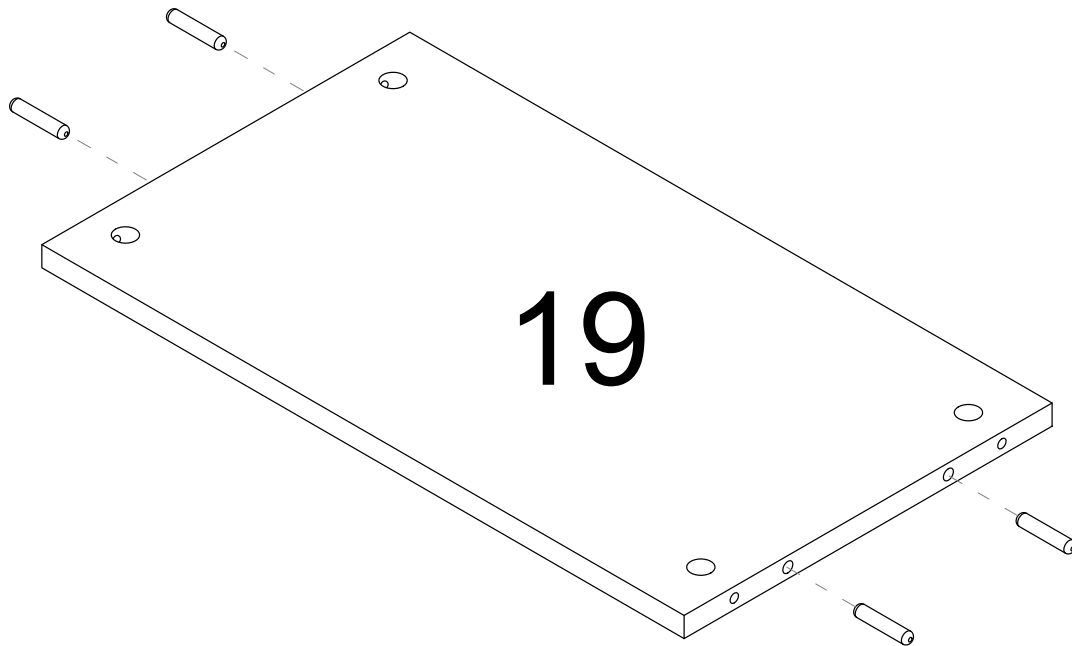
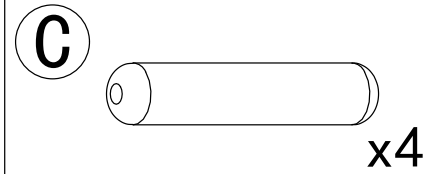
Thread the lamp power cord through the hole



Step 33



Step 34

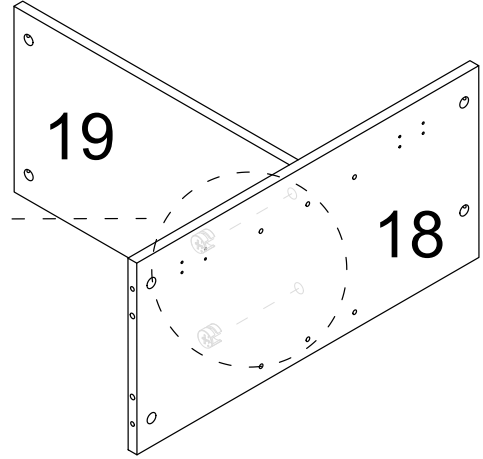
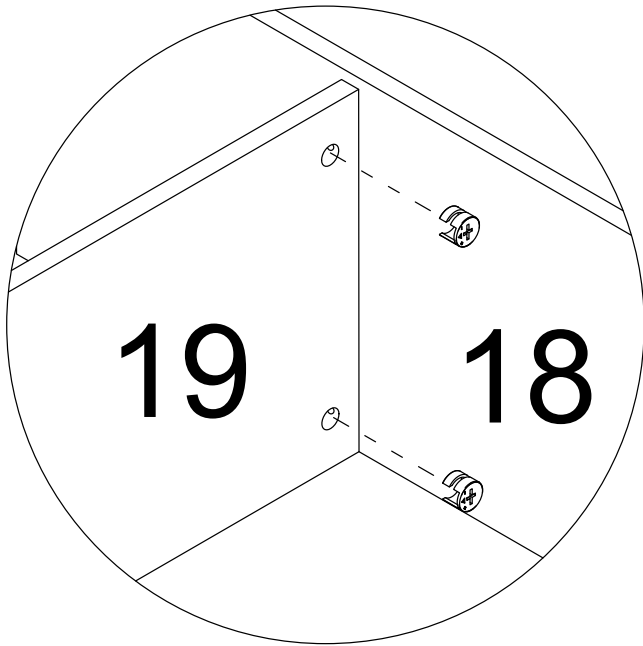


Step 35

B

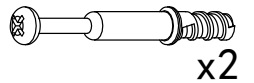


x 2



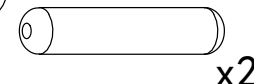
Step 36

A

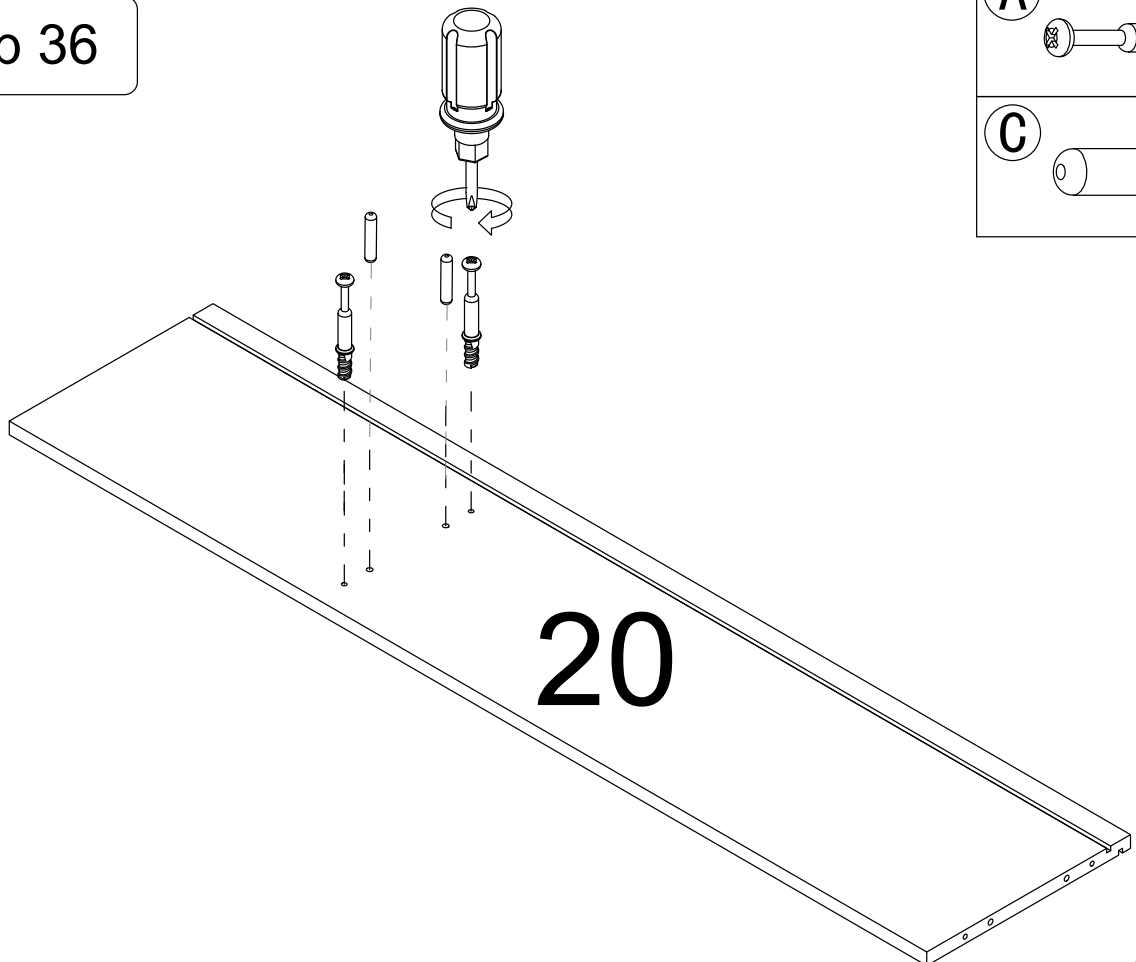


x2

C



x2



20

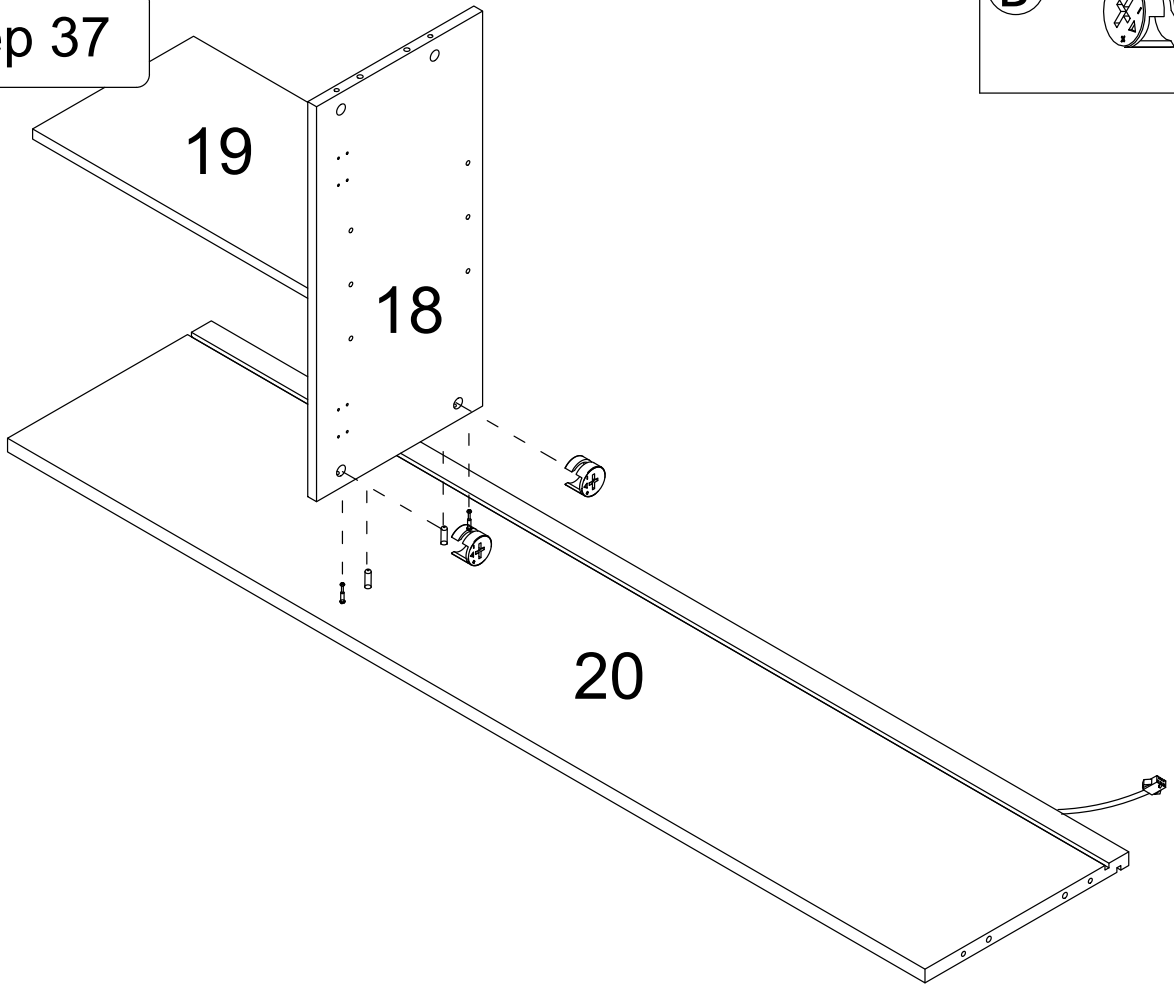
30

Step 37

B

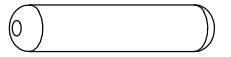


x 2

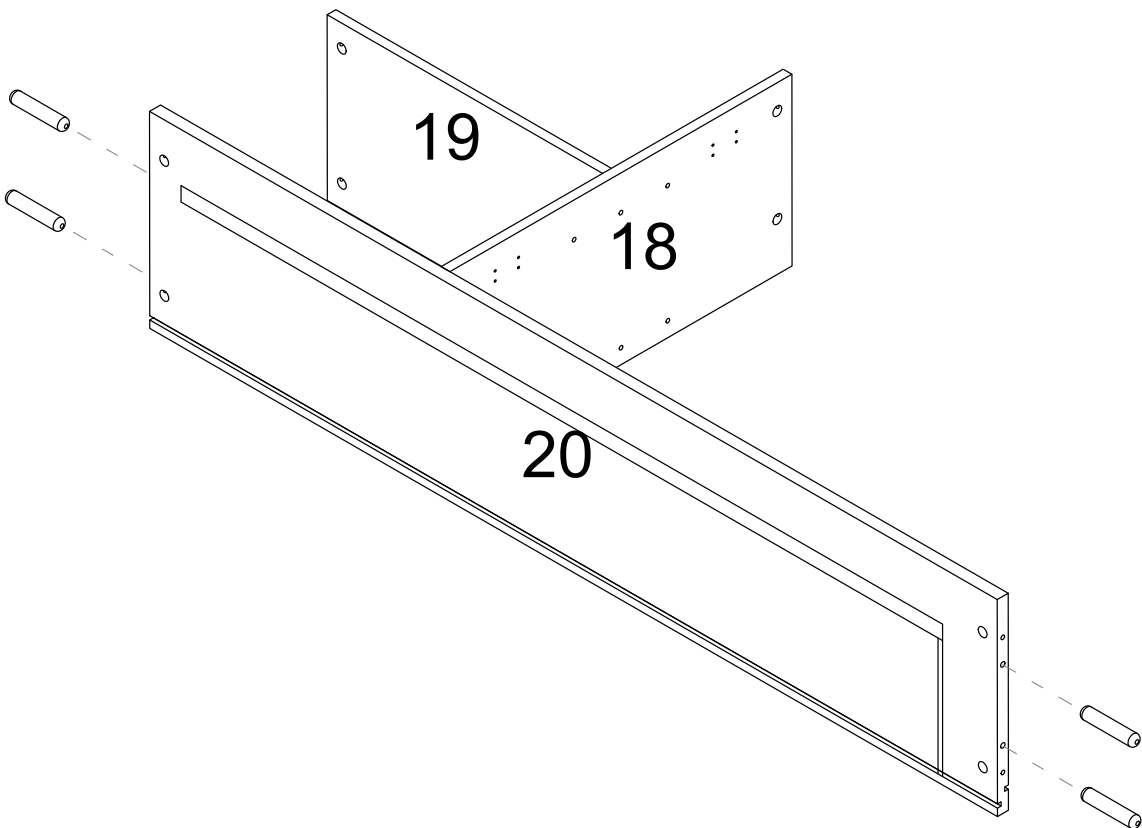


Step 38

C



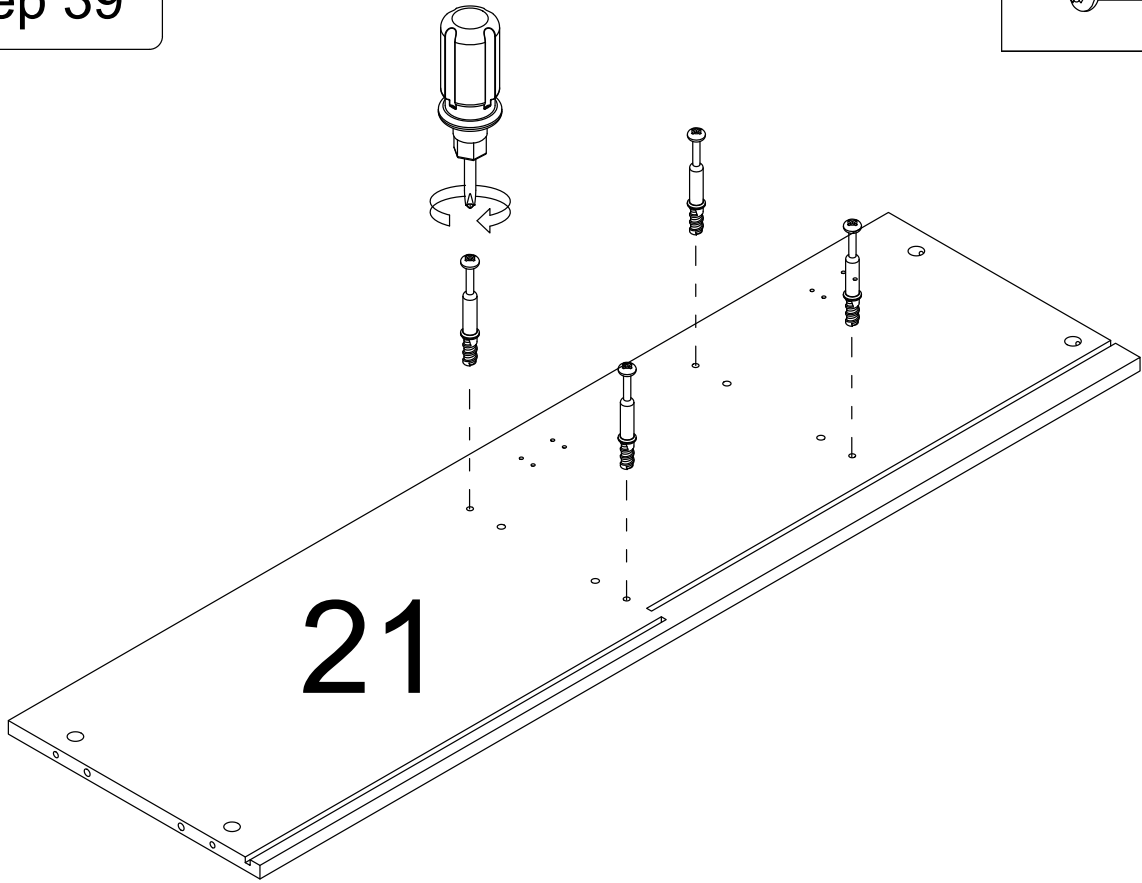
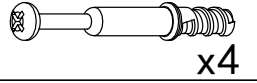
x4



31

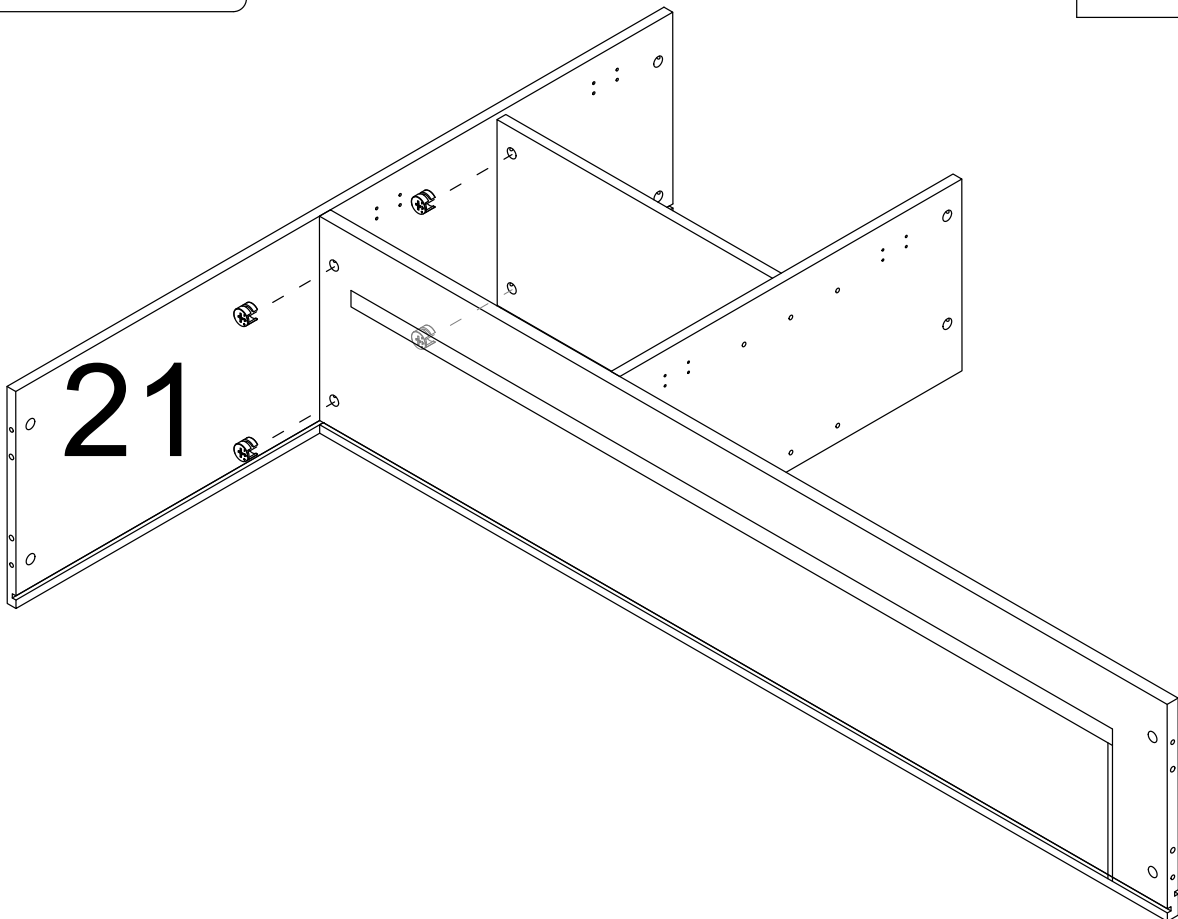
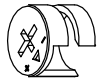
Step 39

A



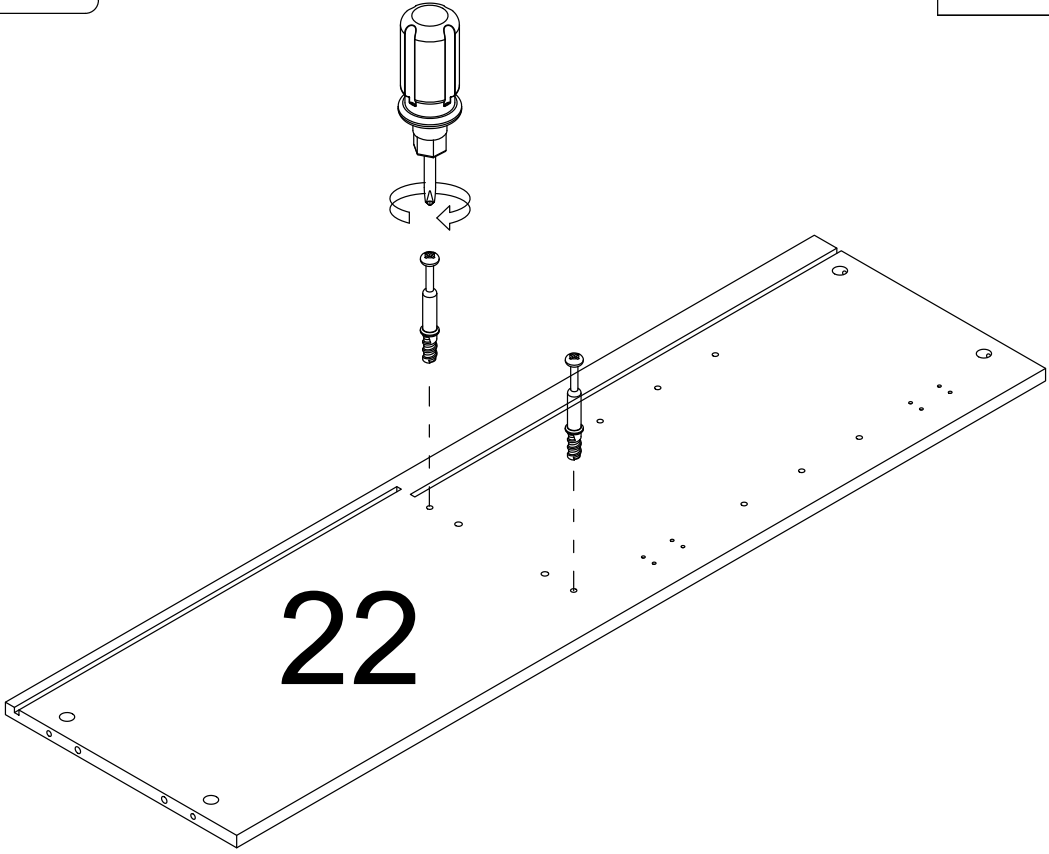
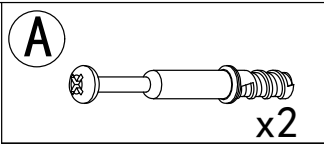
Step 40

B

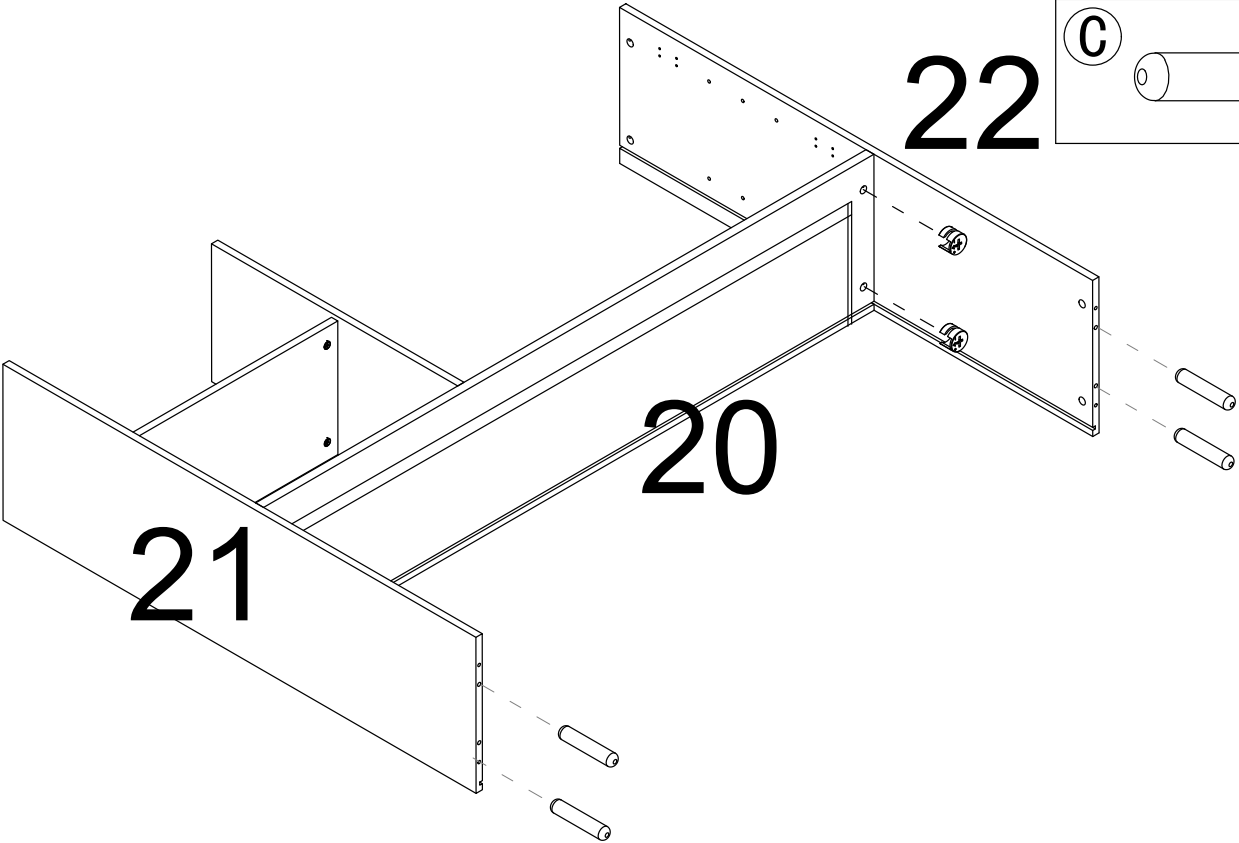
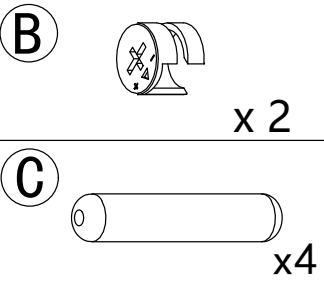


32

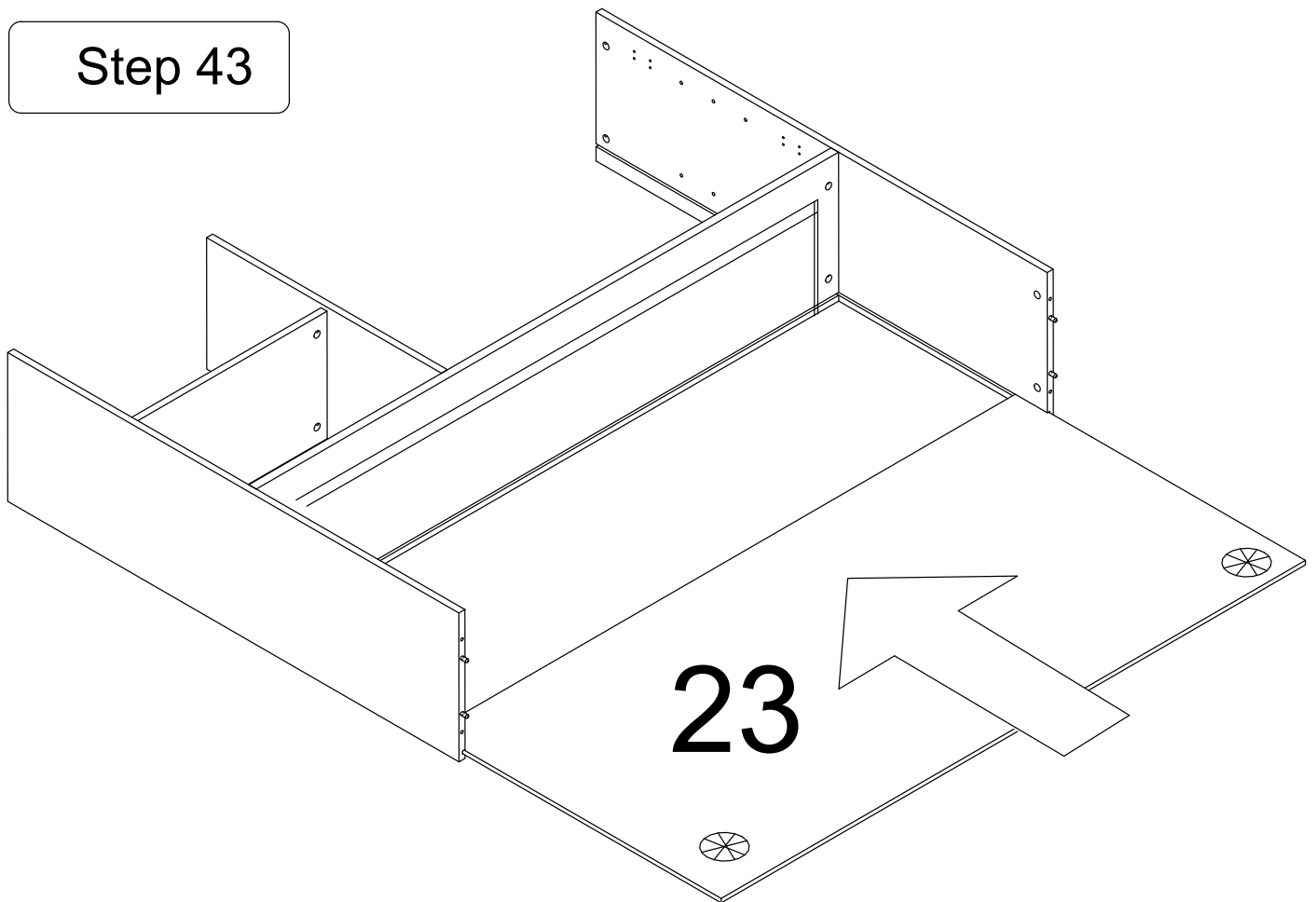
Step 41



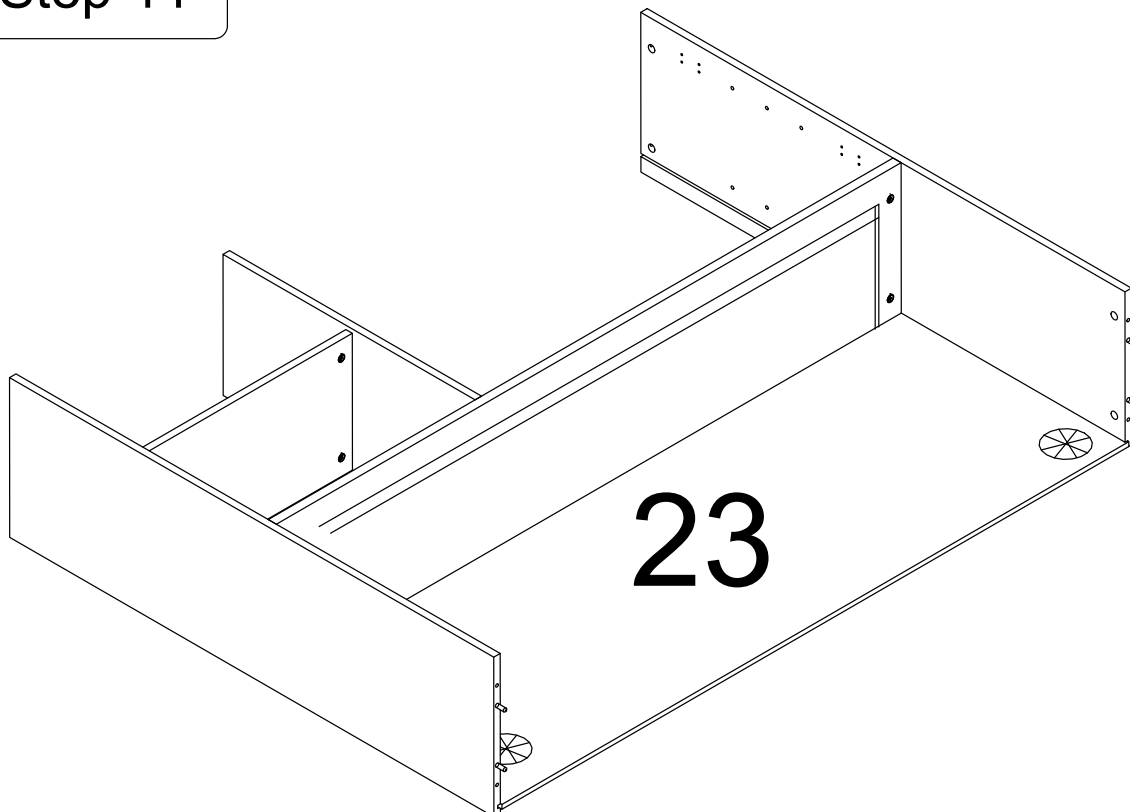
Step 42



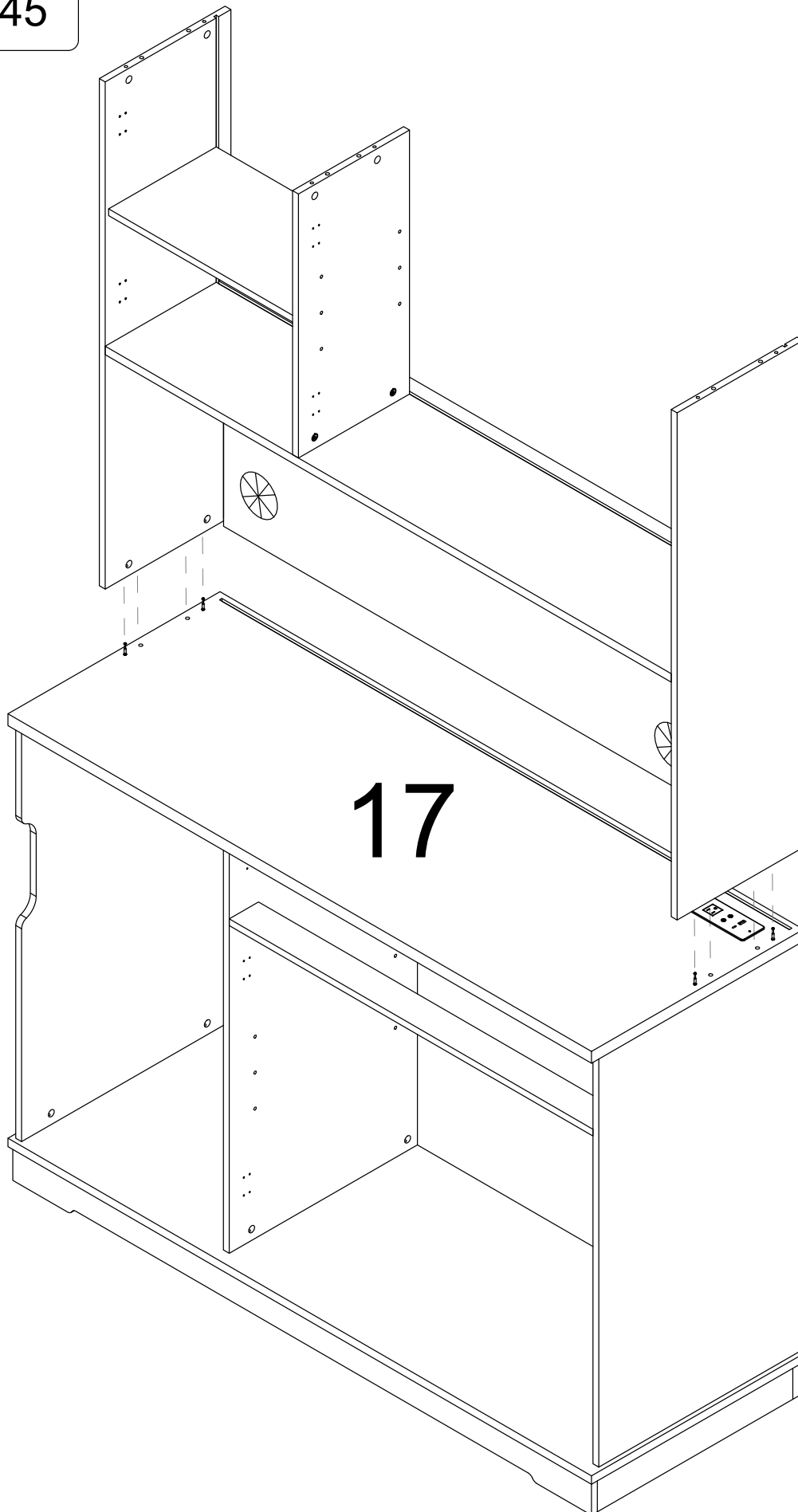
Step 43



Step 44



## Step 45



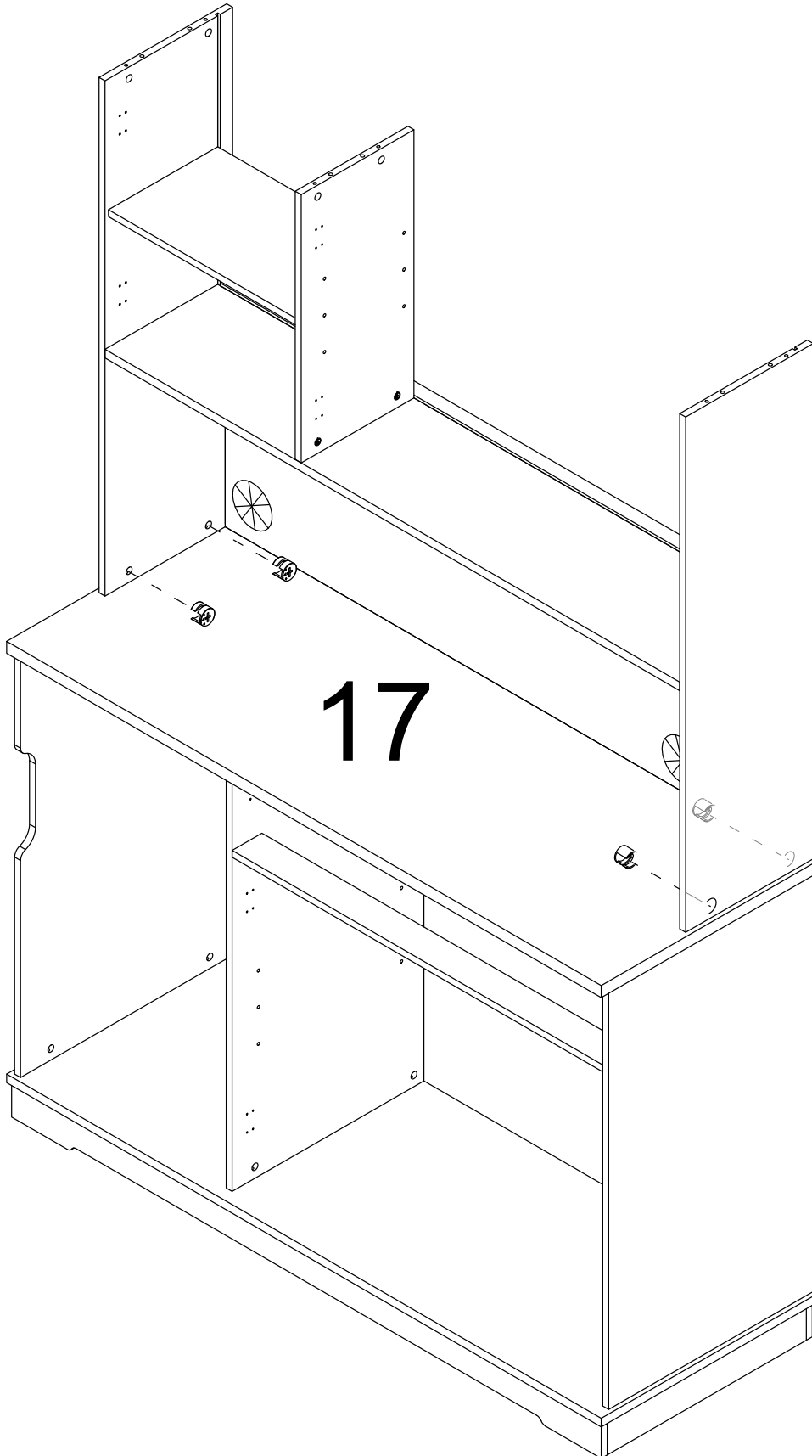
It is recommended that two people work together to install the structural wood panels.

Step 46

B



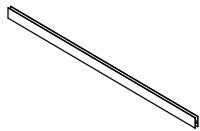
x 4



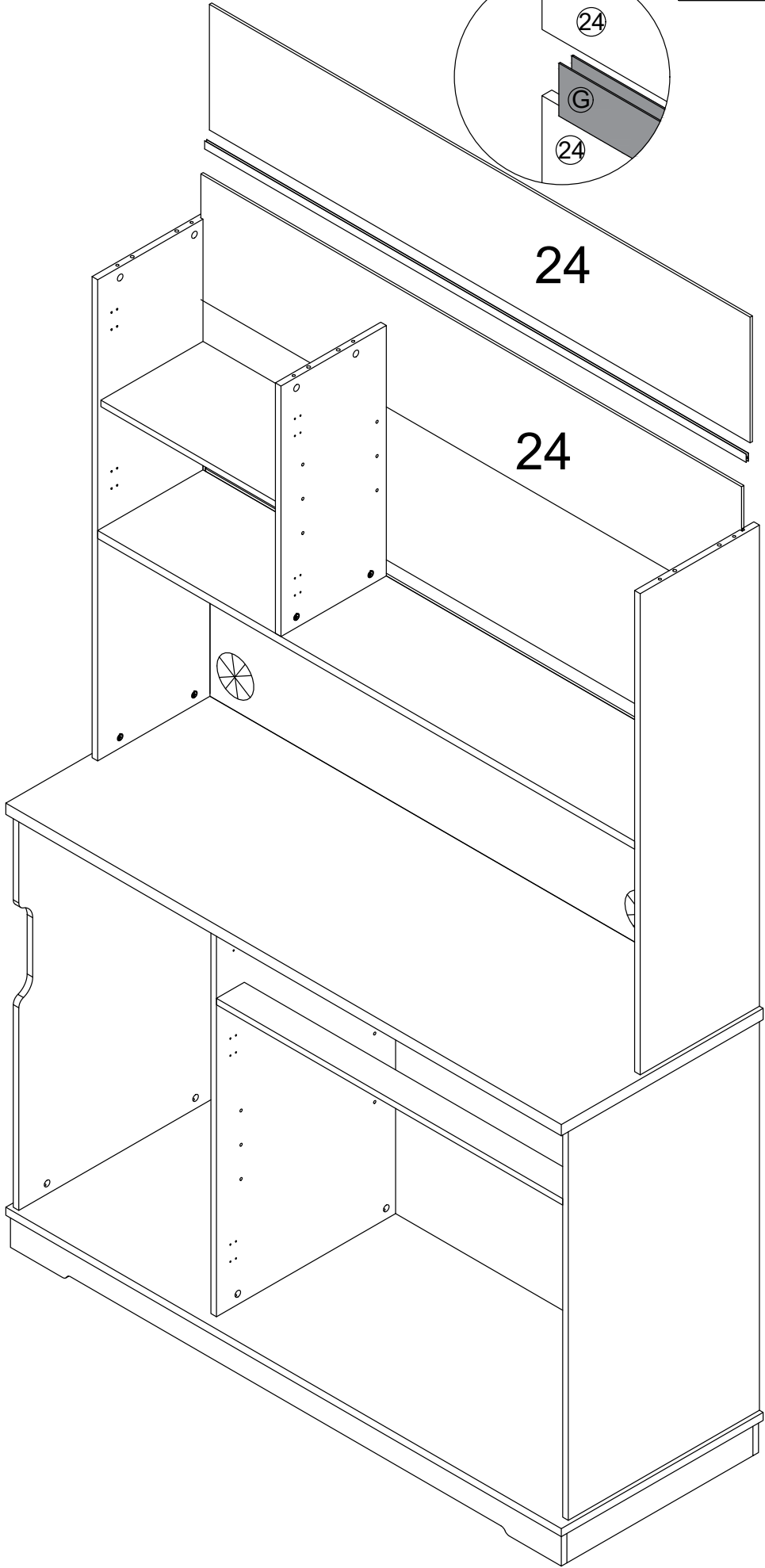
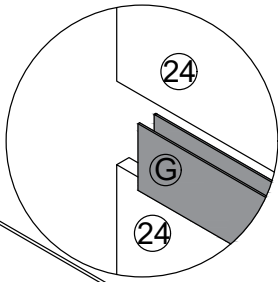
**Step 47**

Place the "24" board, Backboard card strip, and "24" board in order

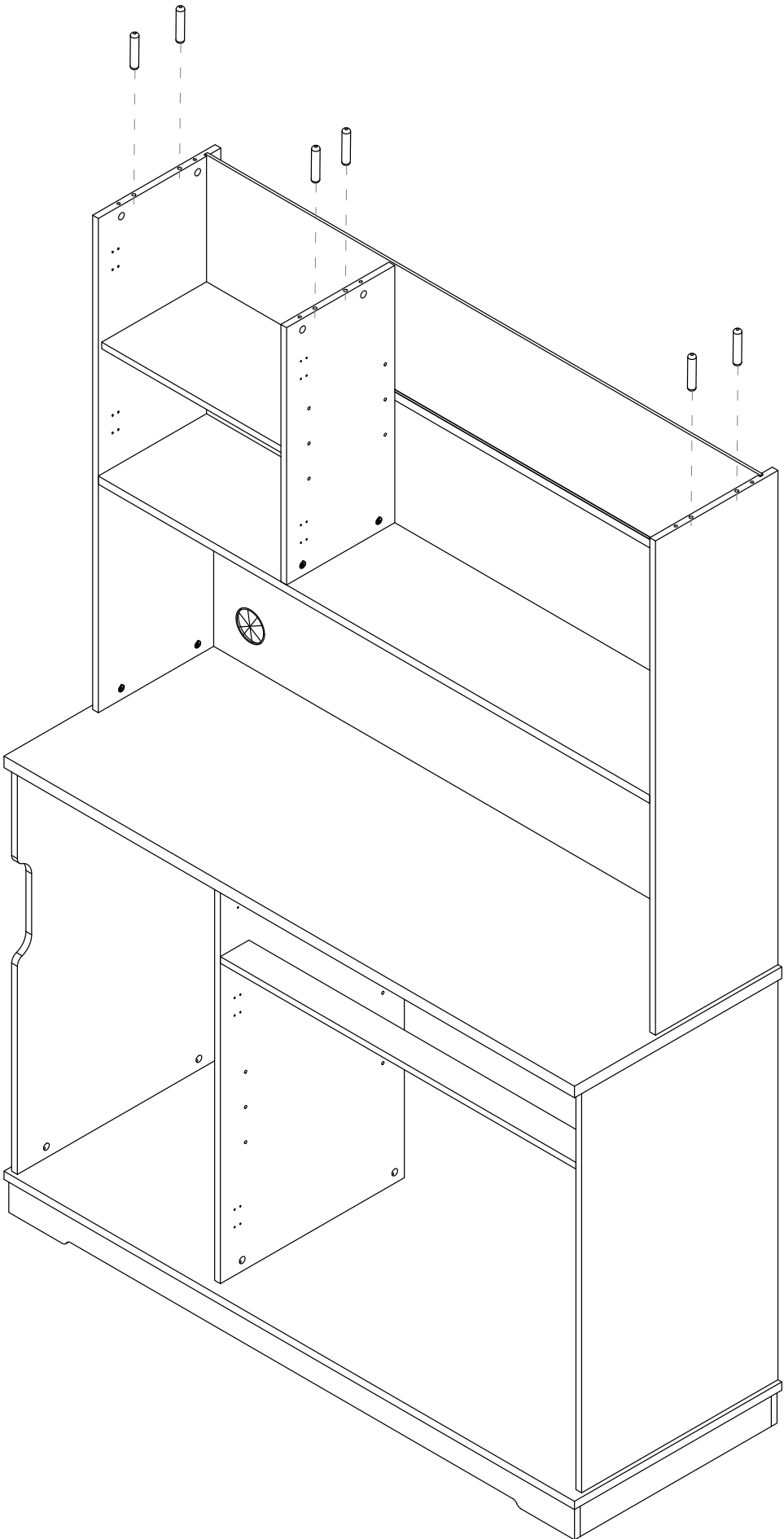
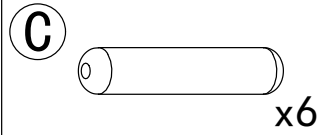
**G**



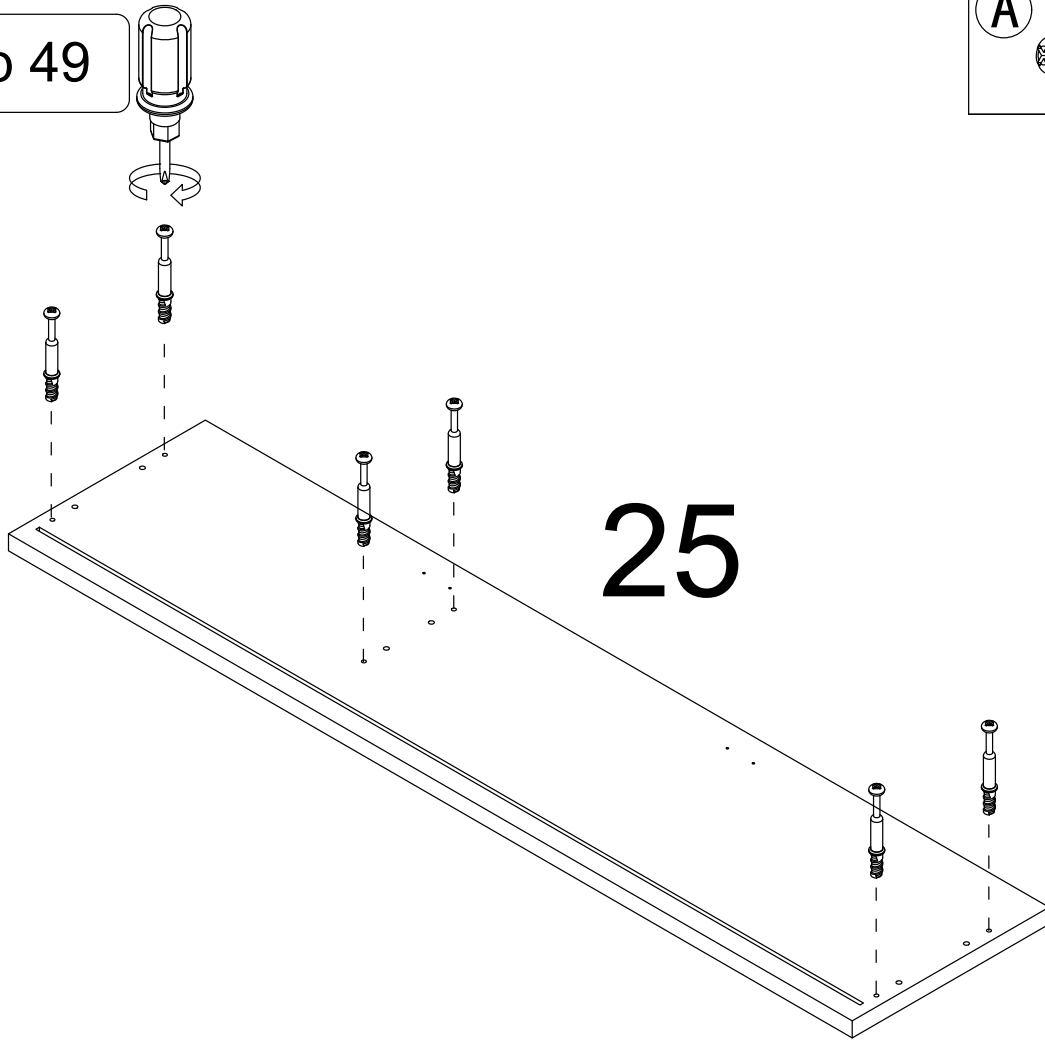
x1



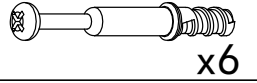
# Step 48



Step 49

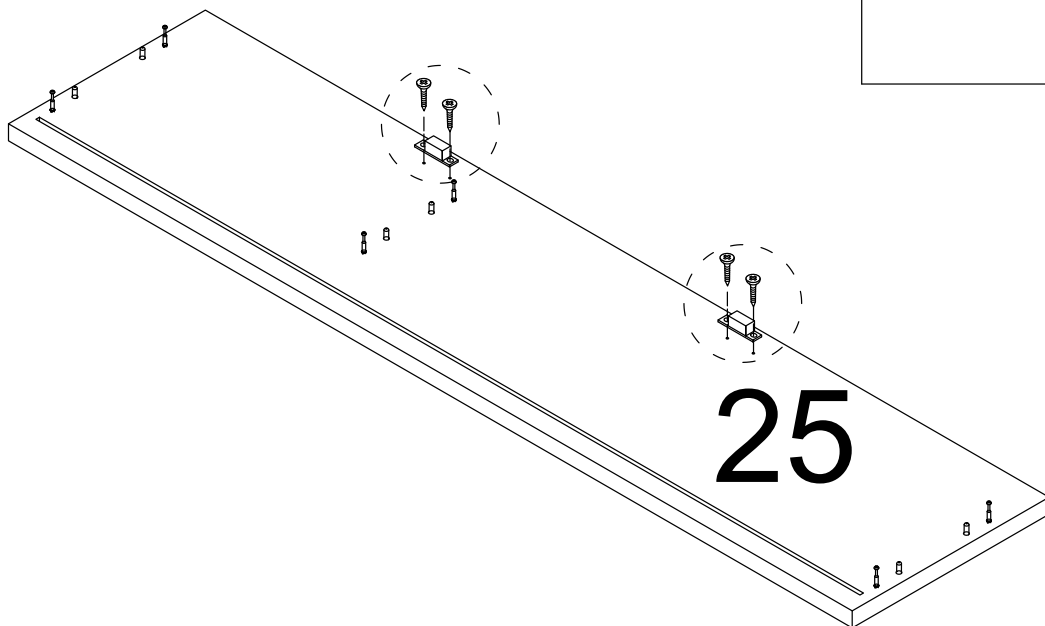


A

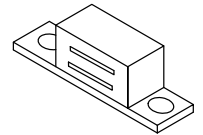


x6

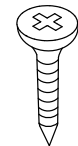
Step 50



H



x2



x4

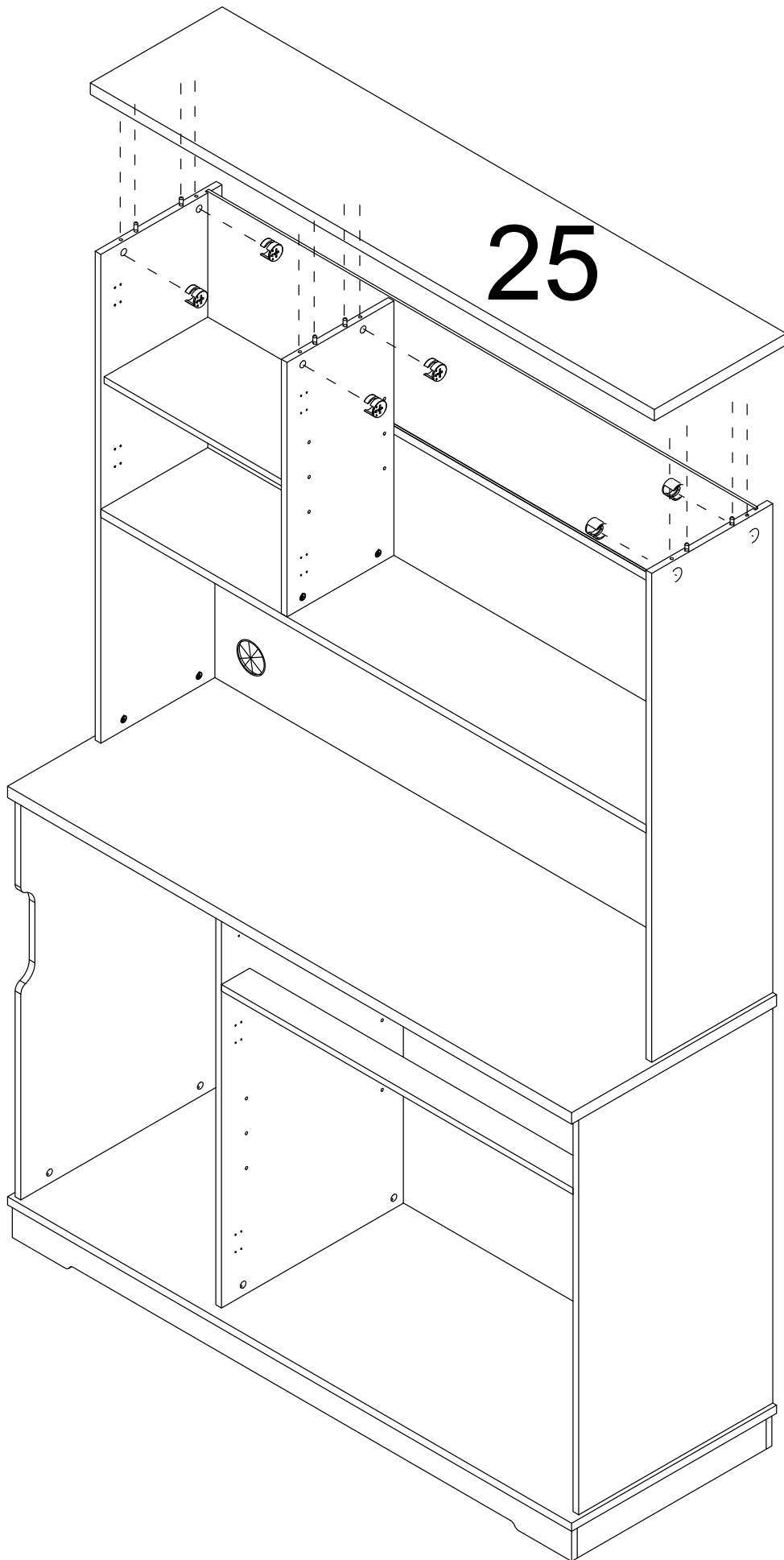
39

Step 51

B



x 6



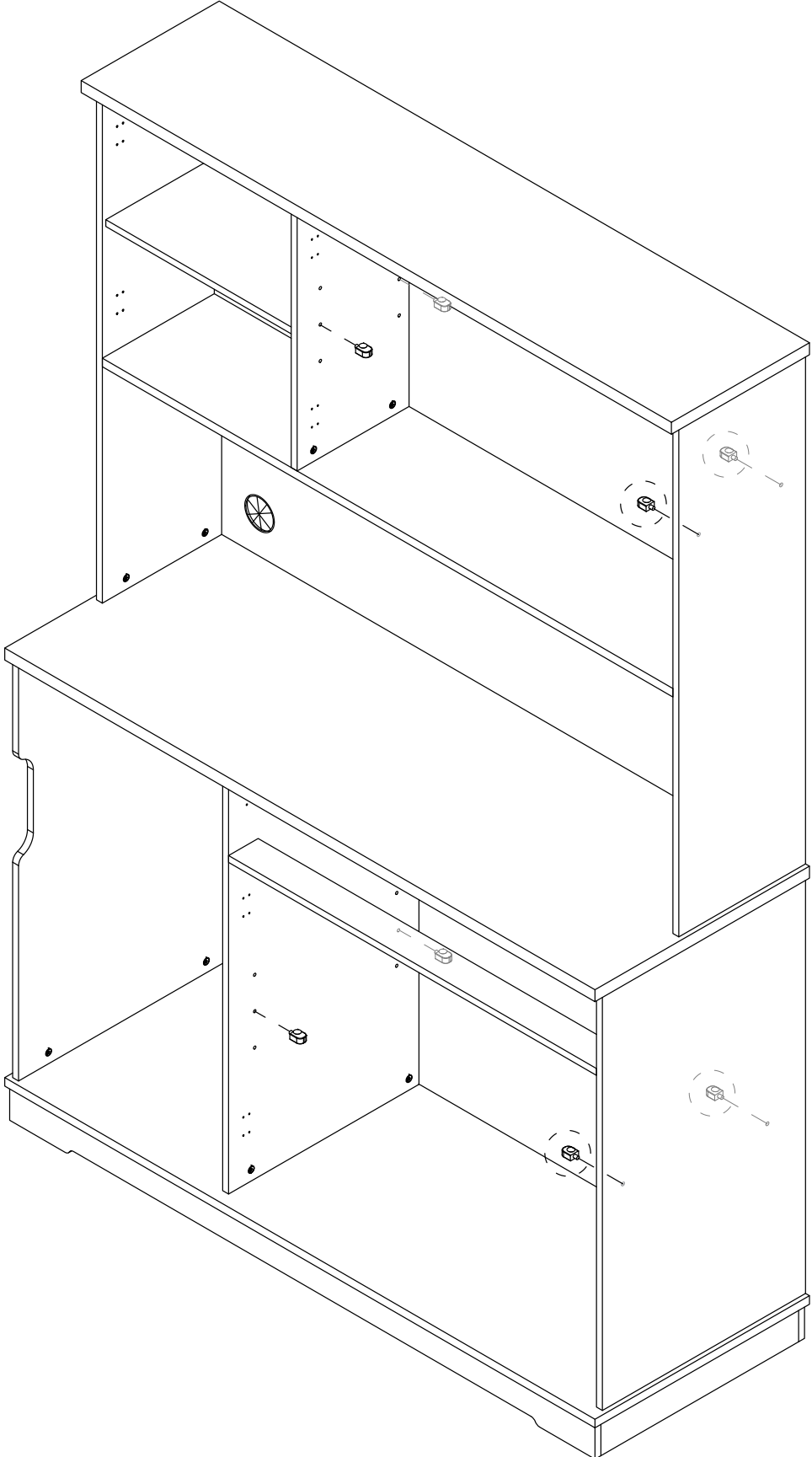
40

Step 52

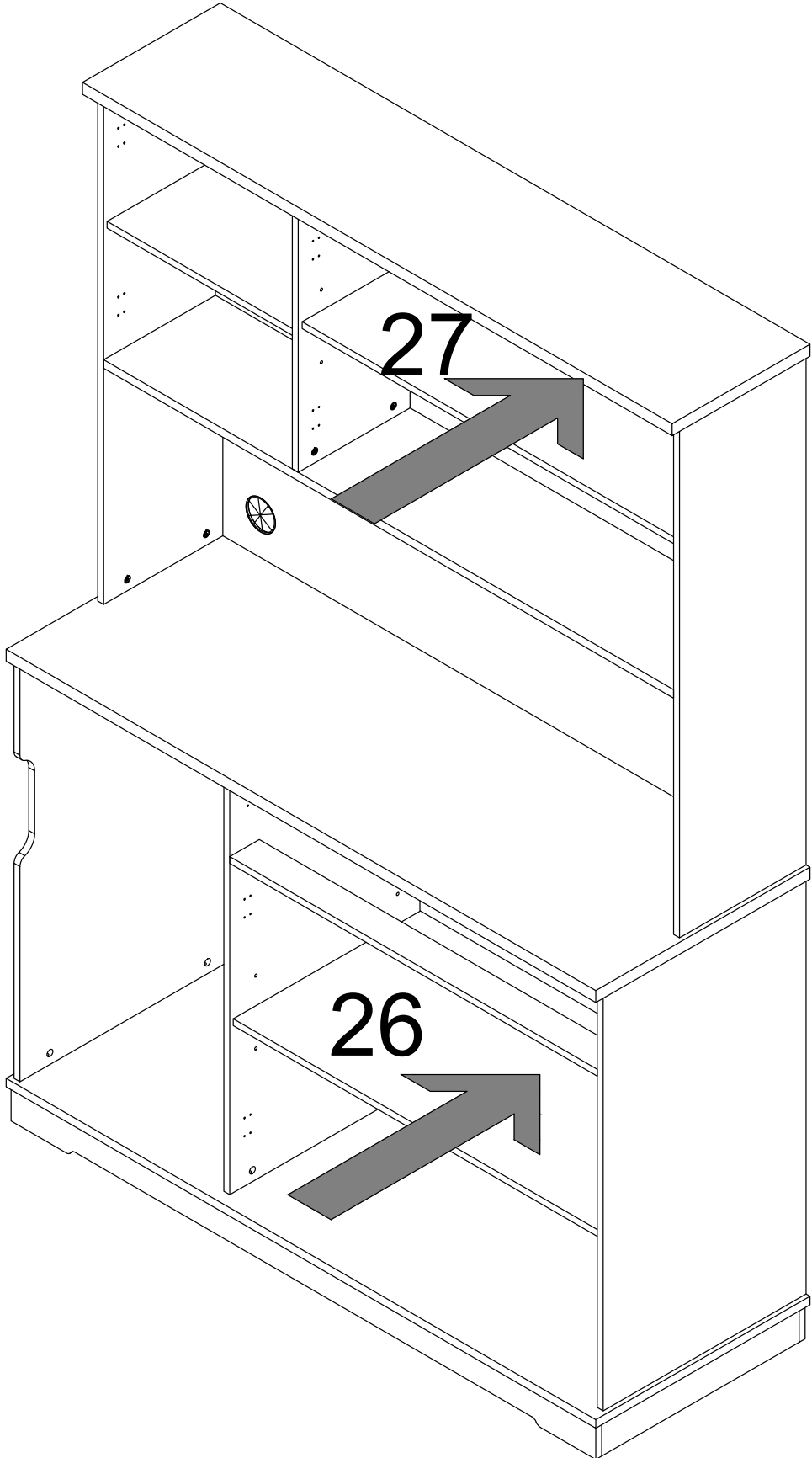
1



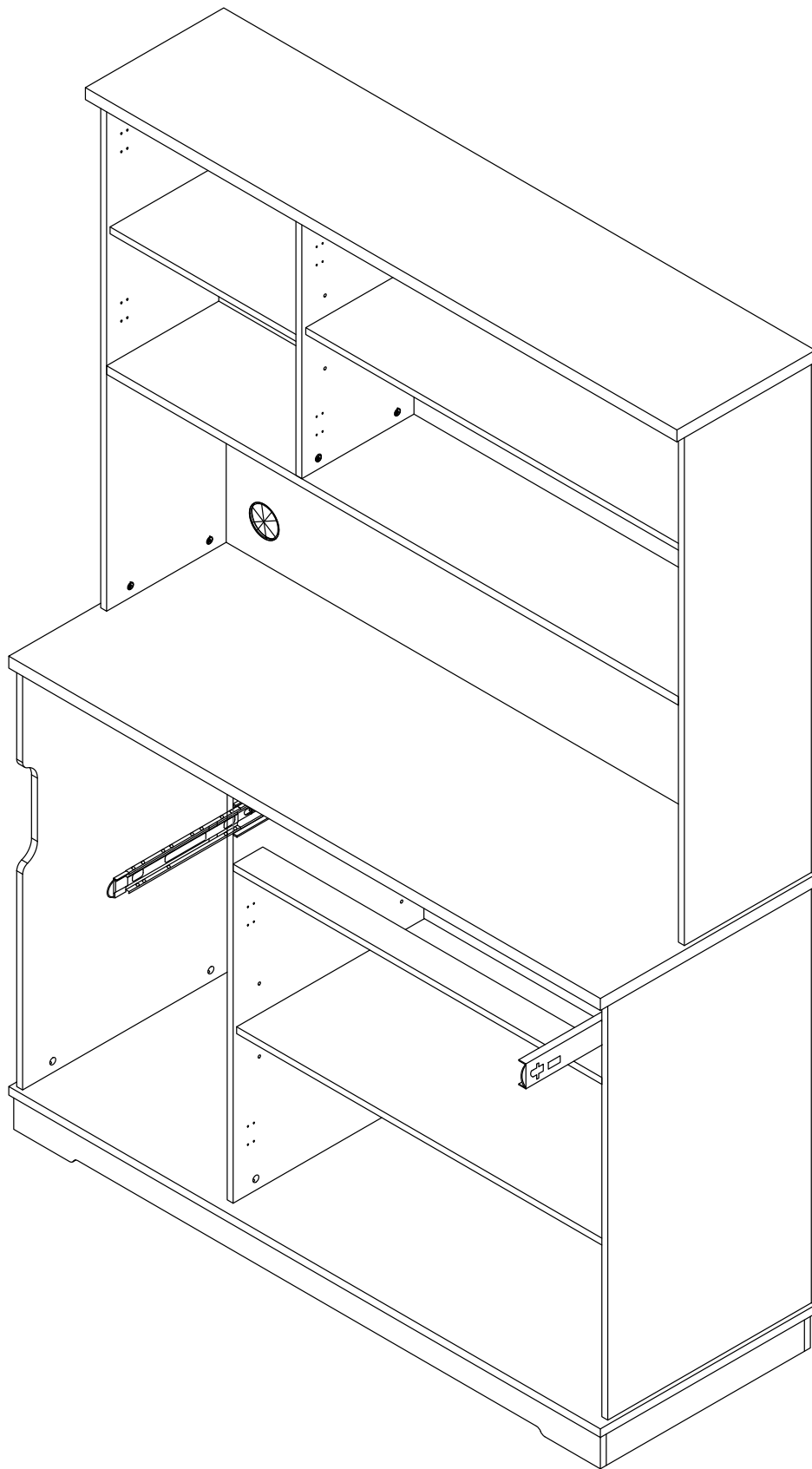
x8



Step 53

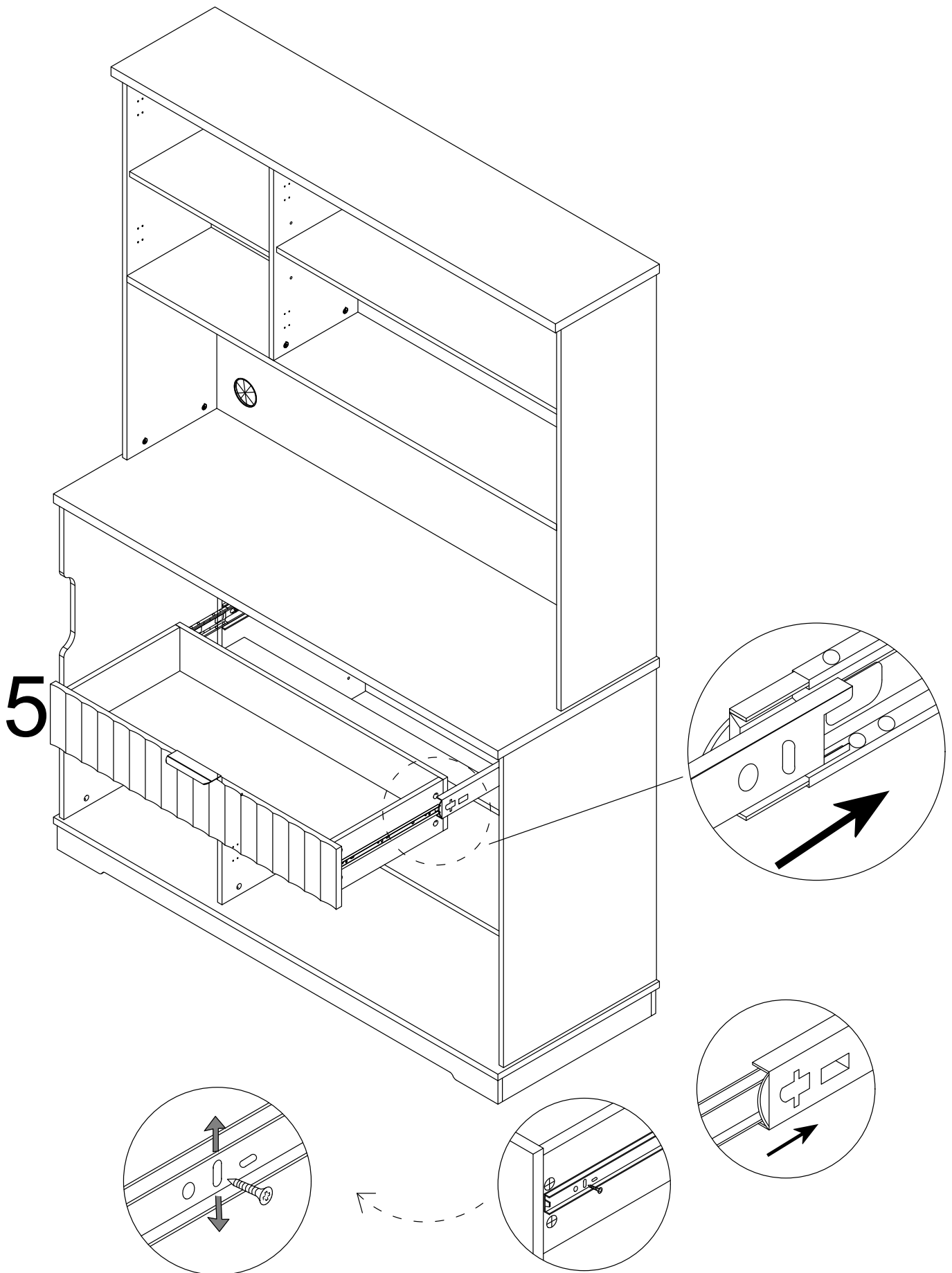


## Step 54



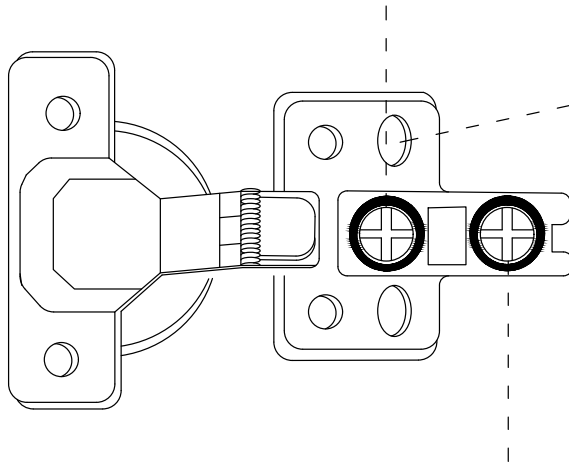
As shown, When installing the drawer, pull the guide rail out first, Slide beads are also pulled out.

# Step 55



If a large gap is found after installing the drawer the slide rail can be moved up and down to adjust the gap

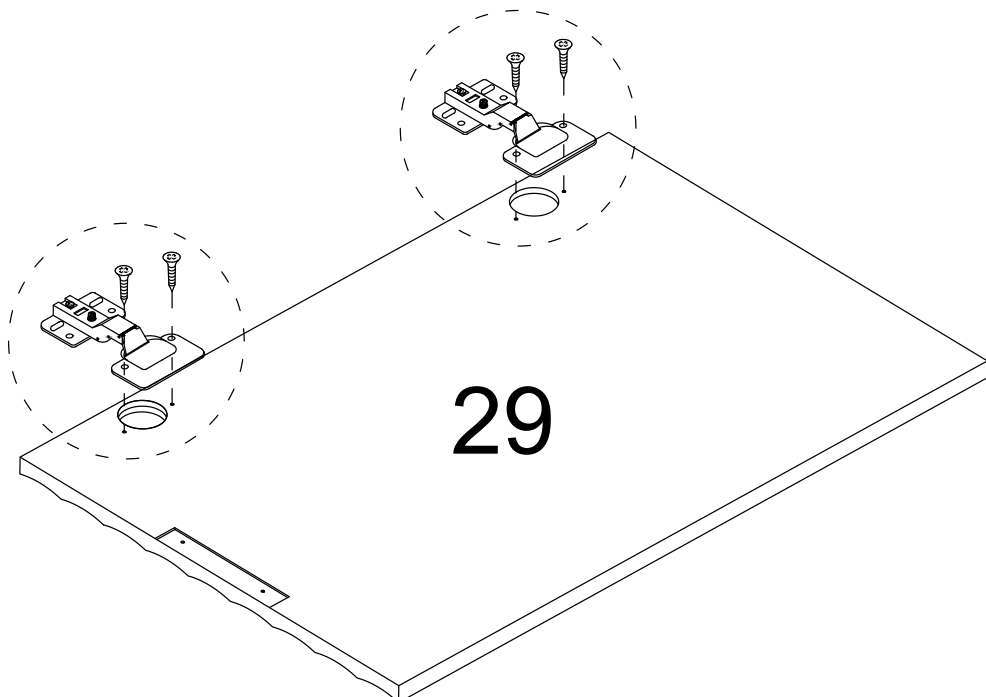
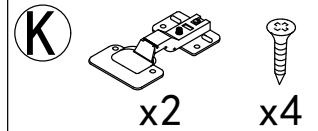
Turning this screw can effectively adjust the size of the door gap.



Adjust hole control the up and down height of the door

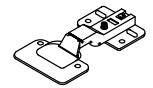
Turn this screw to adjust the door panel to be flat with the side panel.

## Step 56



# Step 57

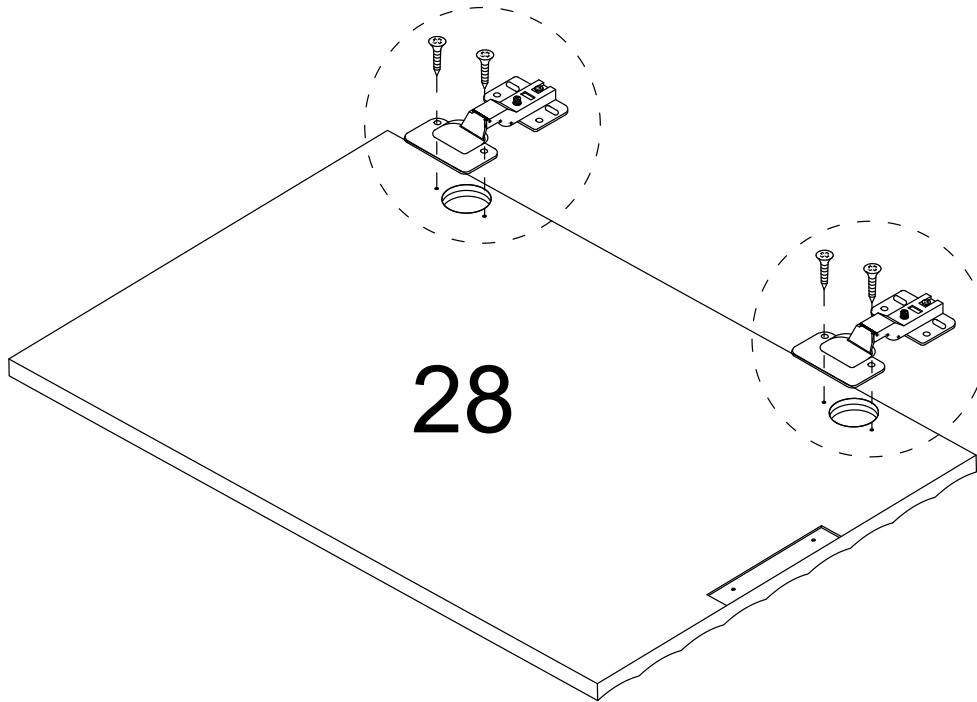
**K**



x2

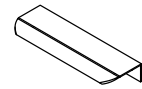


x4

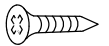


# Step 58

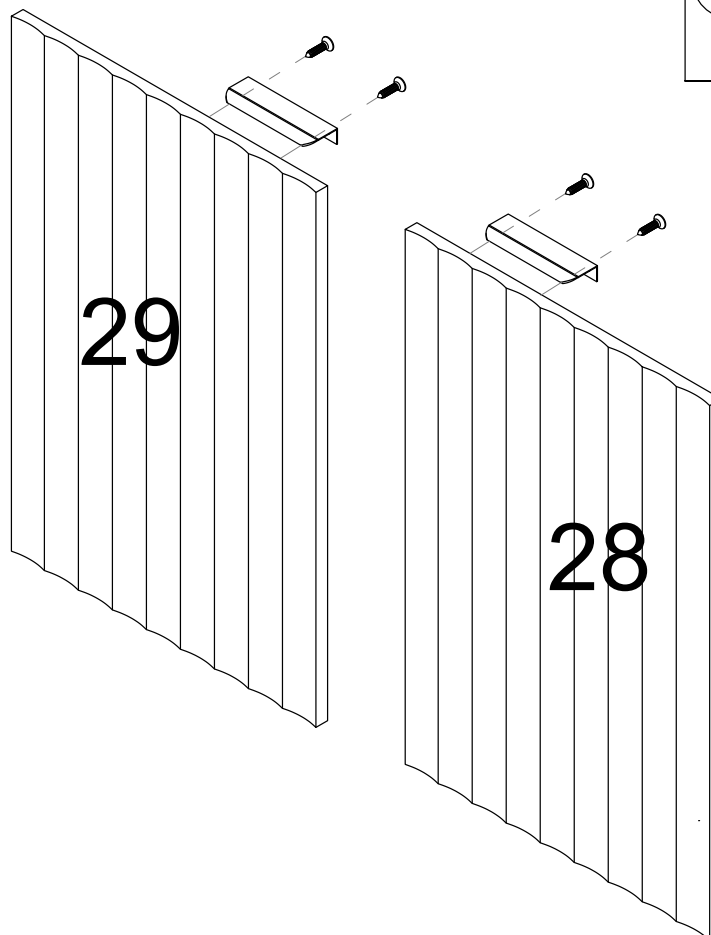
**D**



x2

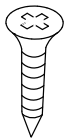


x4

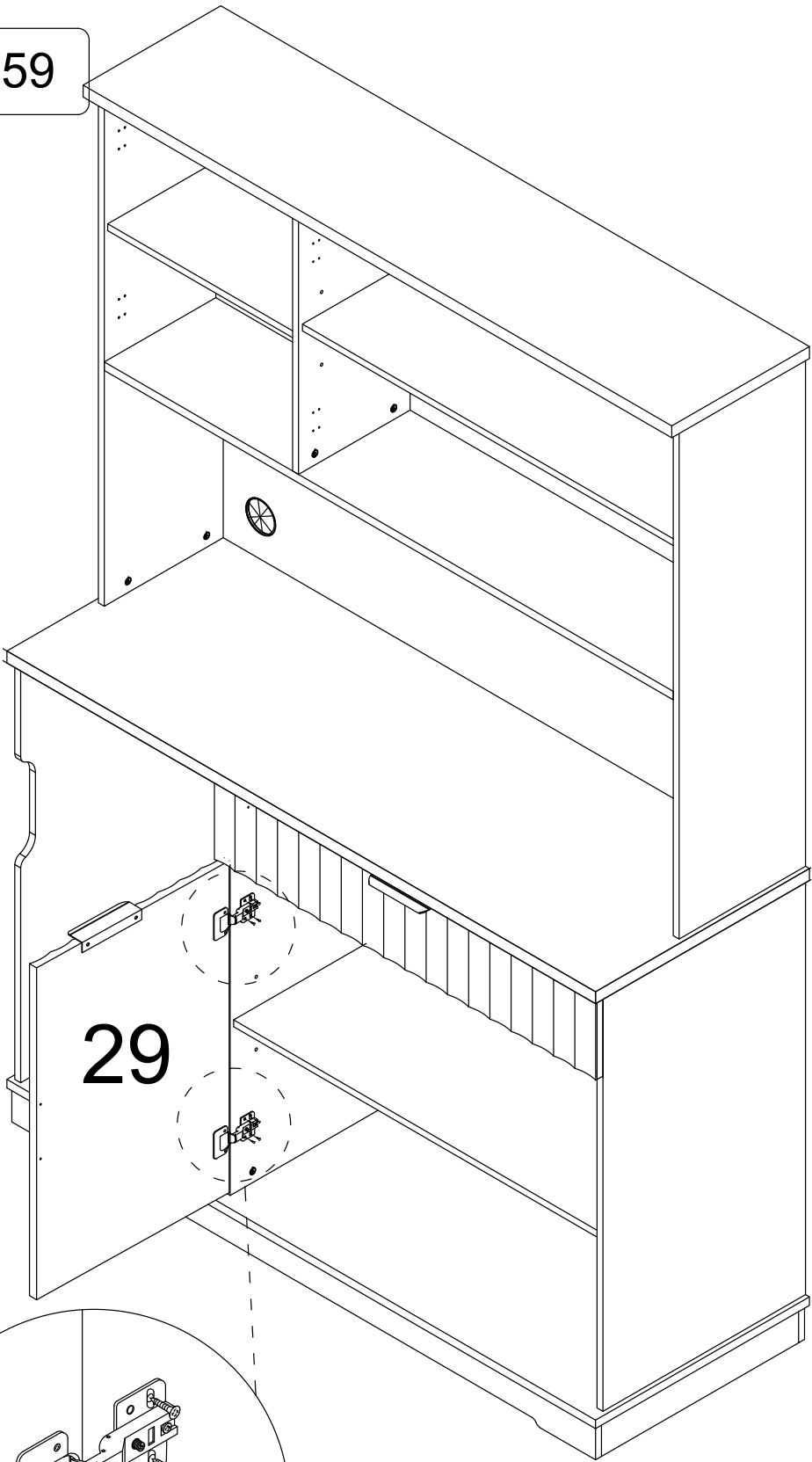


Step 59

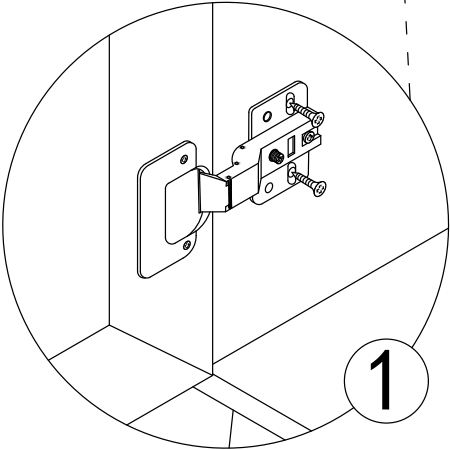
K



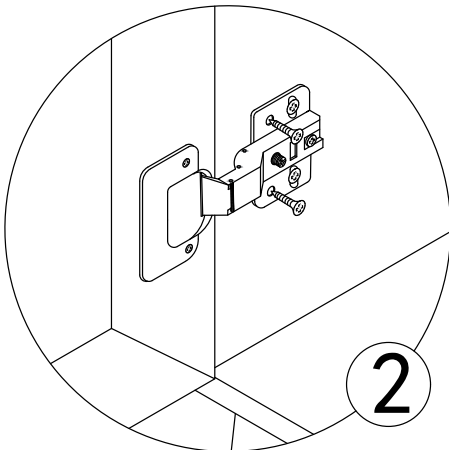
x8



29



1

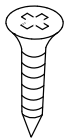


2

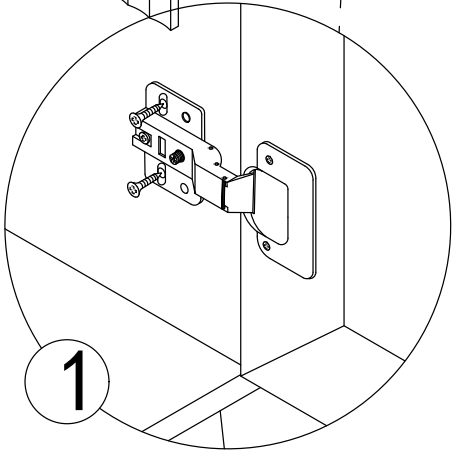
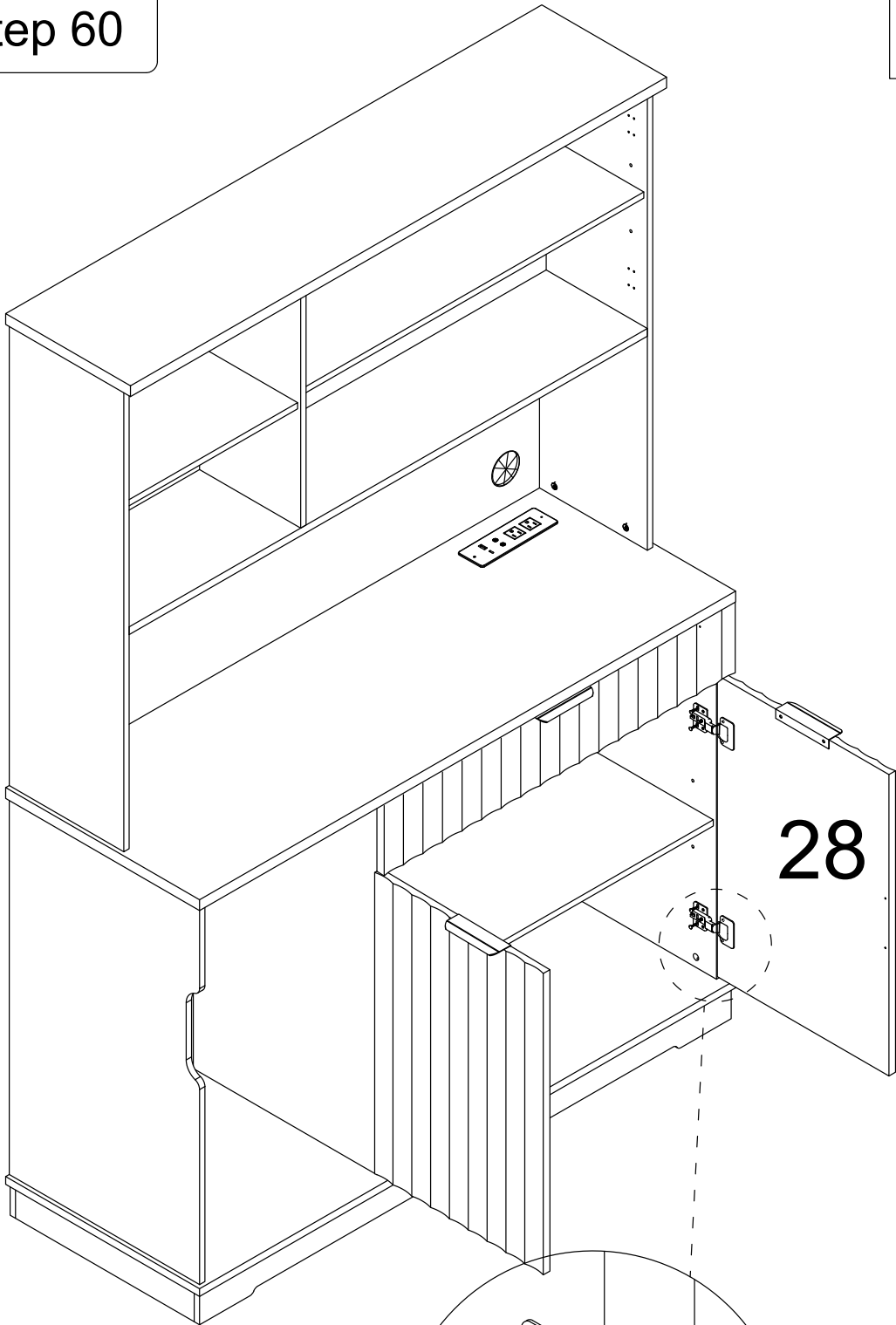
First lock the elliptical hole  
then lock the fixed hole

Step 60

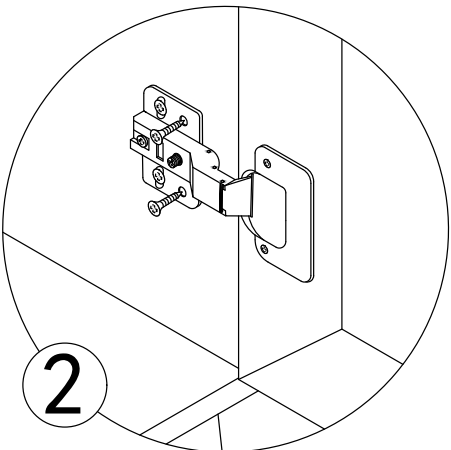
K



x8



1

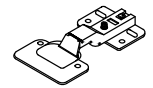


2

First lock the elliptical hole  
then lock the fixed hole

Step 61

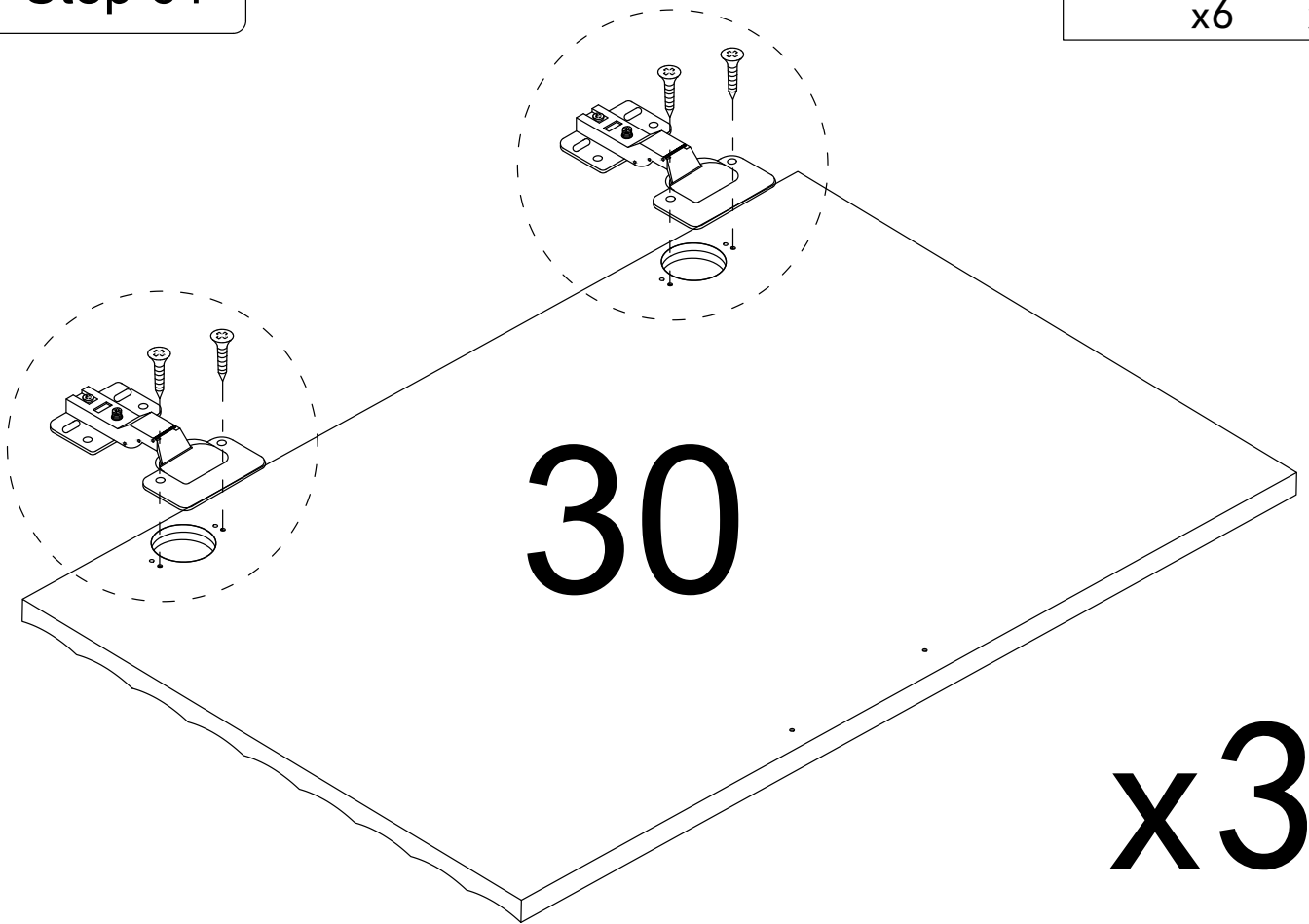
(K)



x6

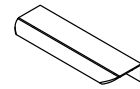


x12

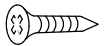


Step 62

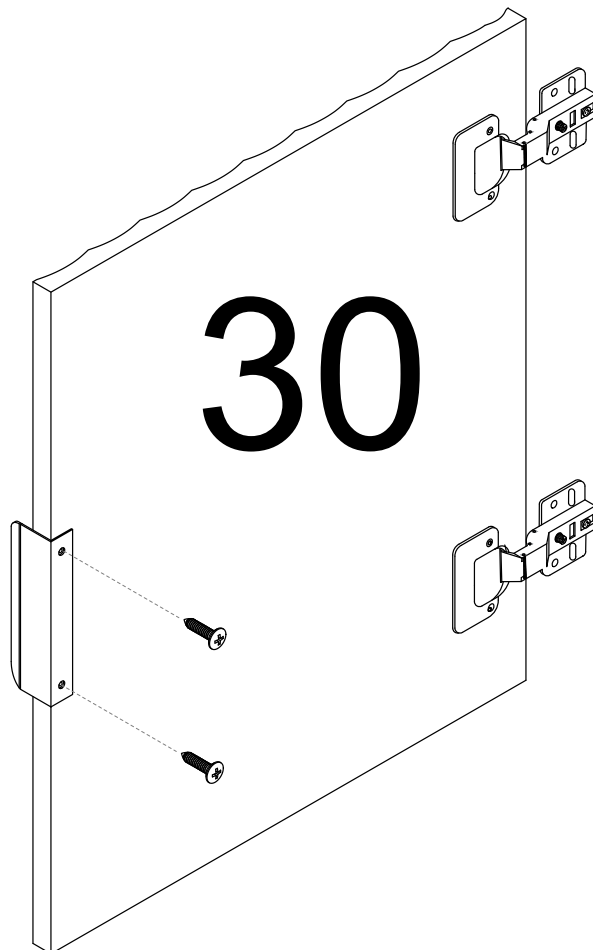
(D)



x3

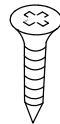


x6

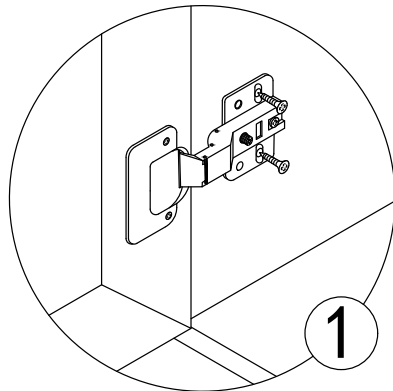


Step 63

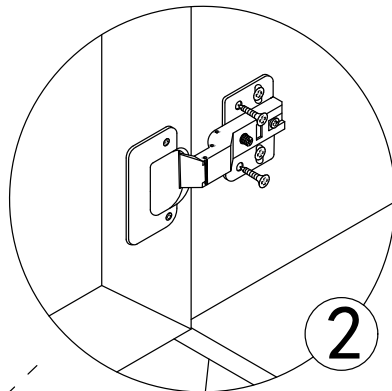
K



x16

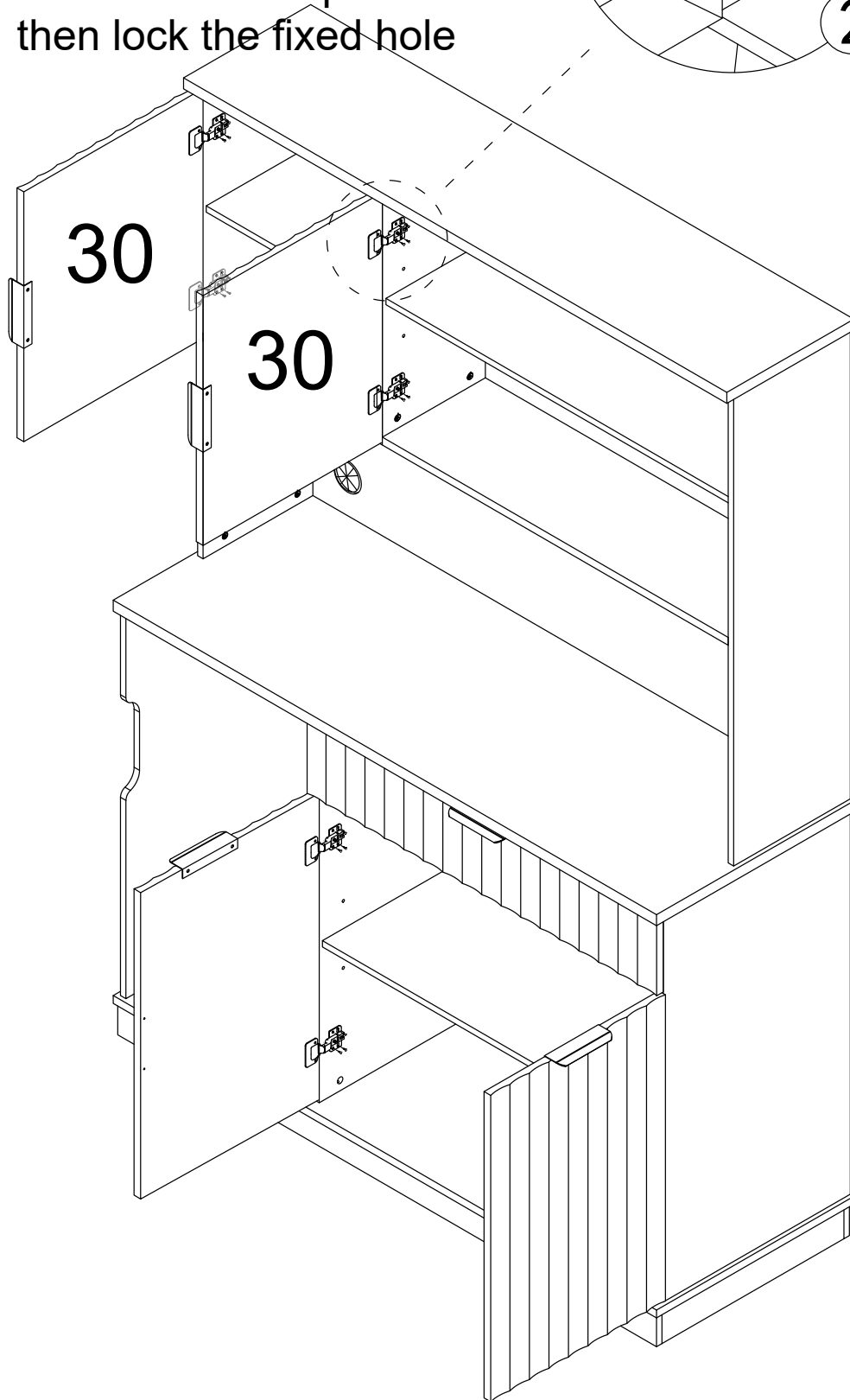


1



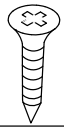
2

First lock the elliptical hole  
then lock the fixed hole

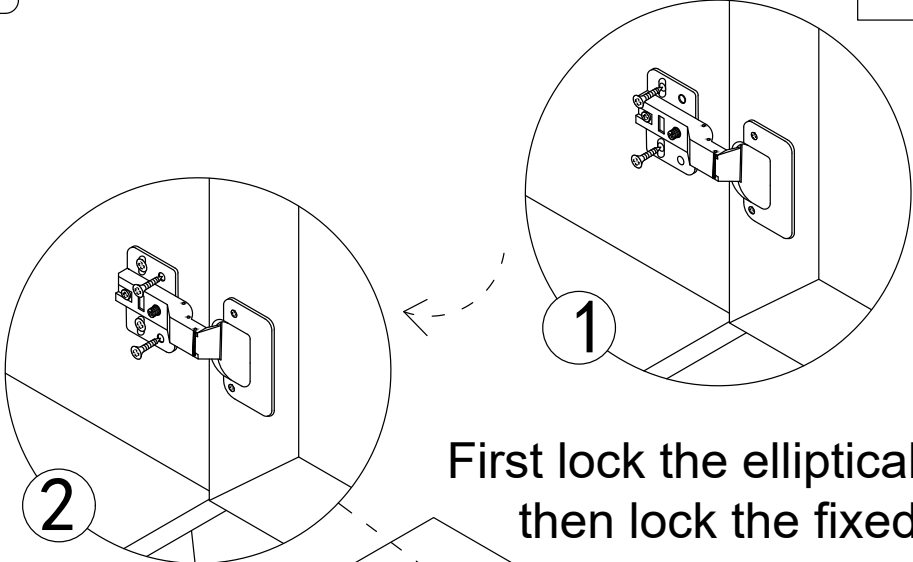


# Step 64

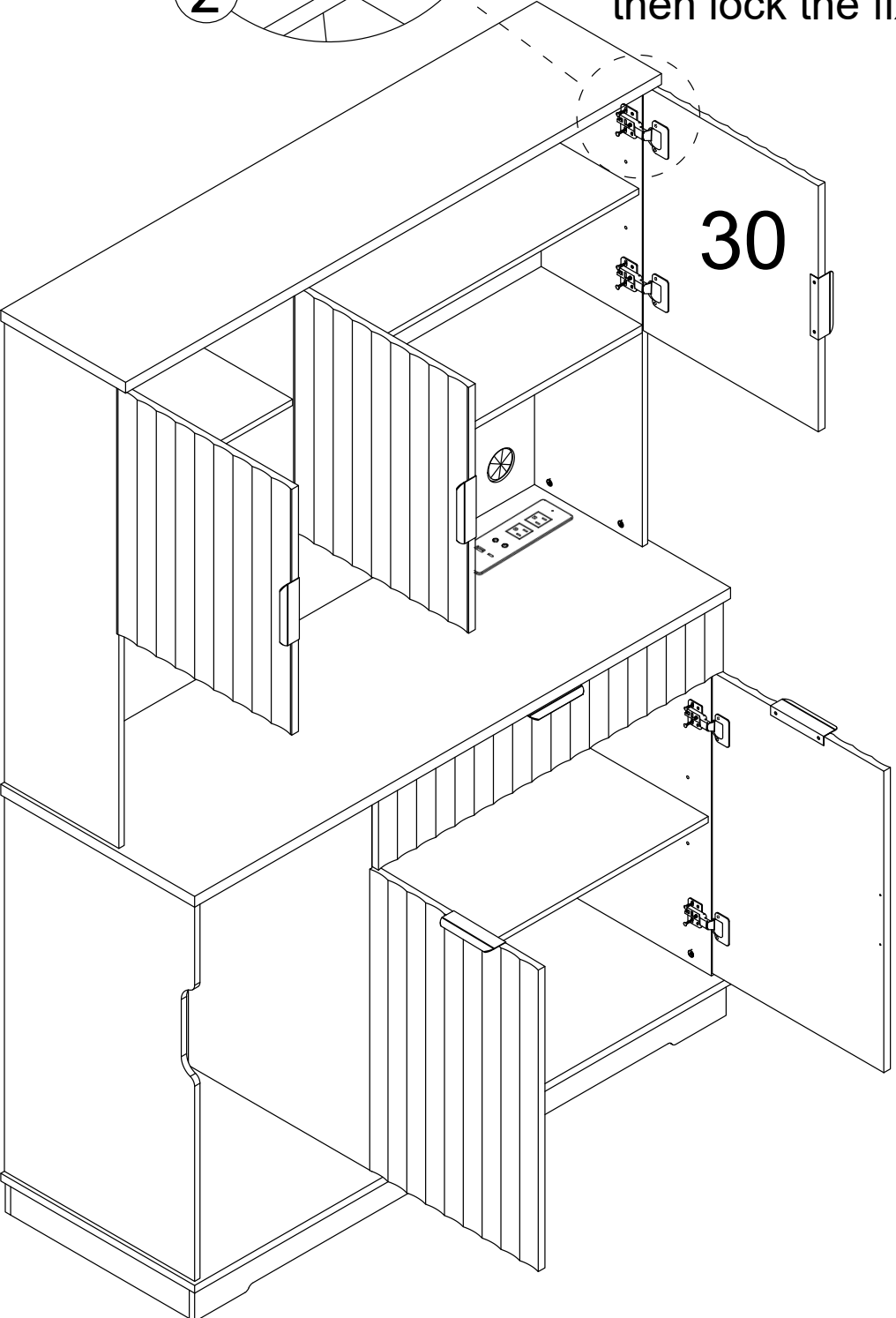
K



x8

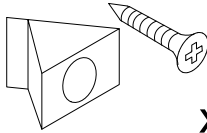


First lock the elliptical hole then lock the fixed hole

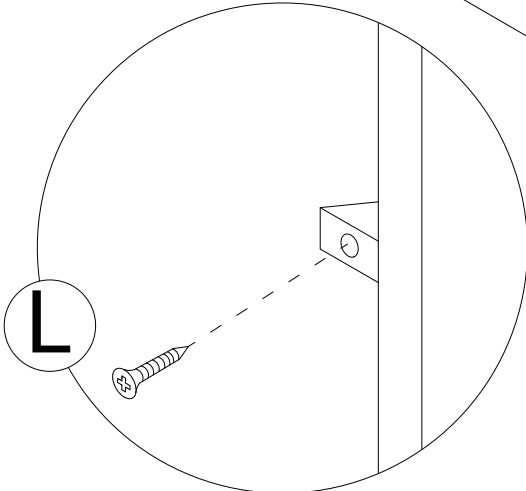
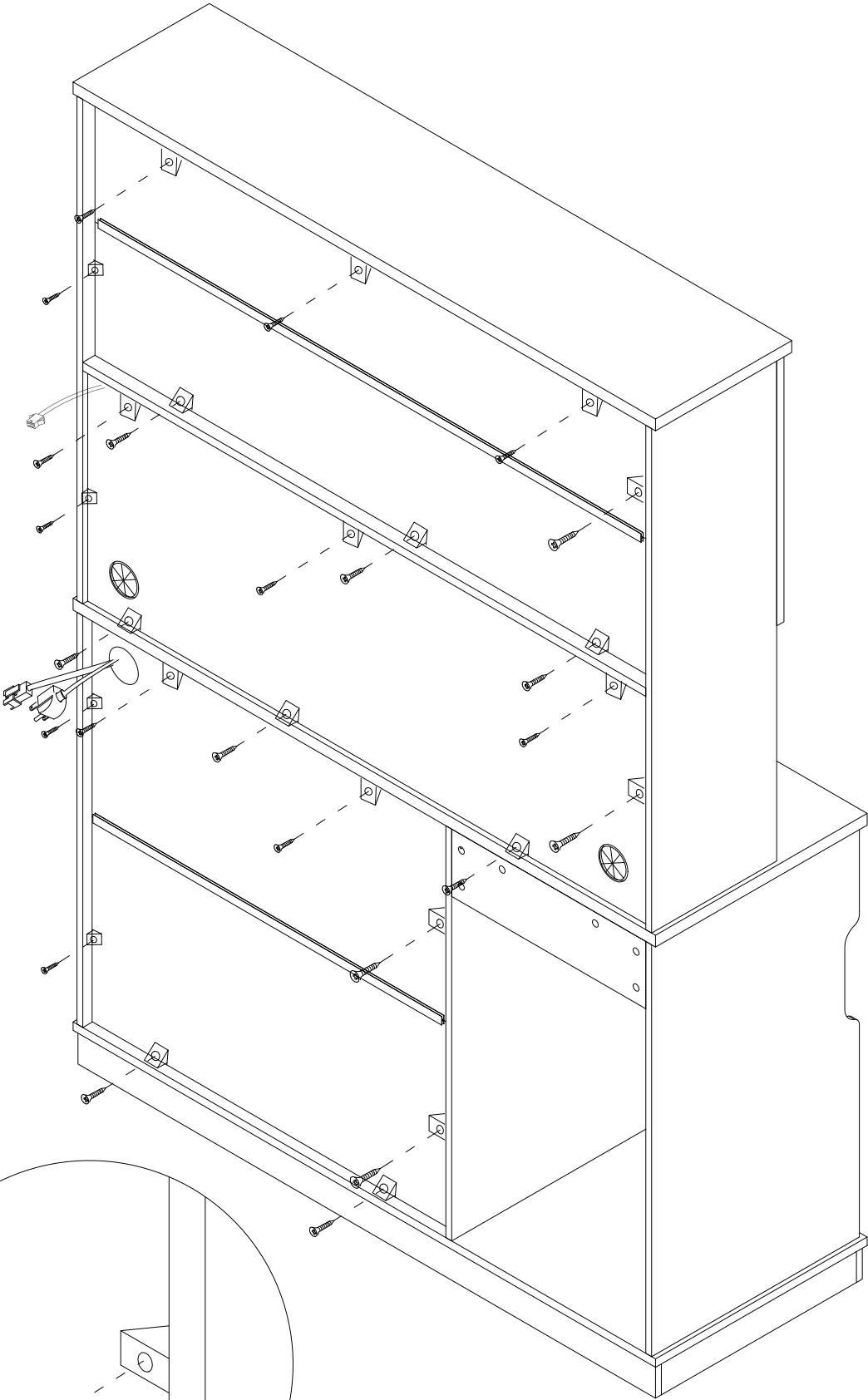


# Step 65

L

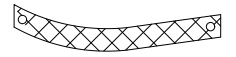


x24



# Step 65

M



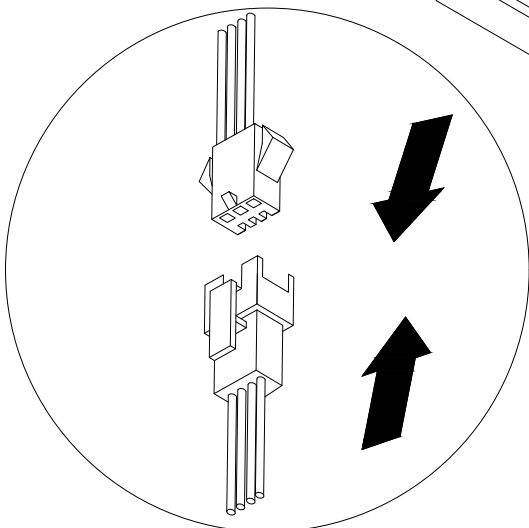
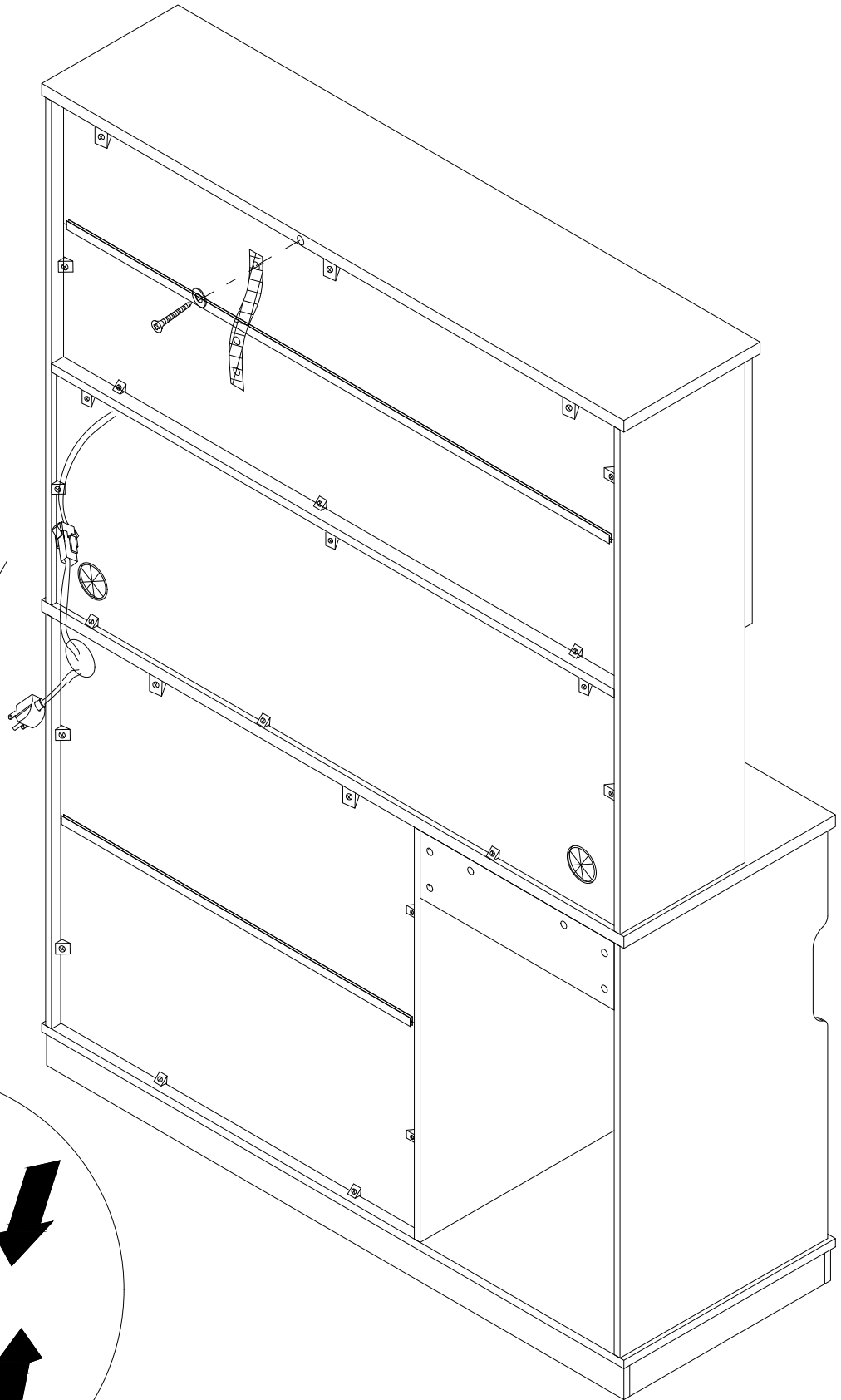
1pcs



1pcs

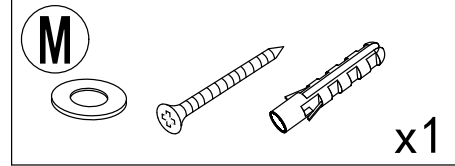
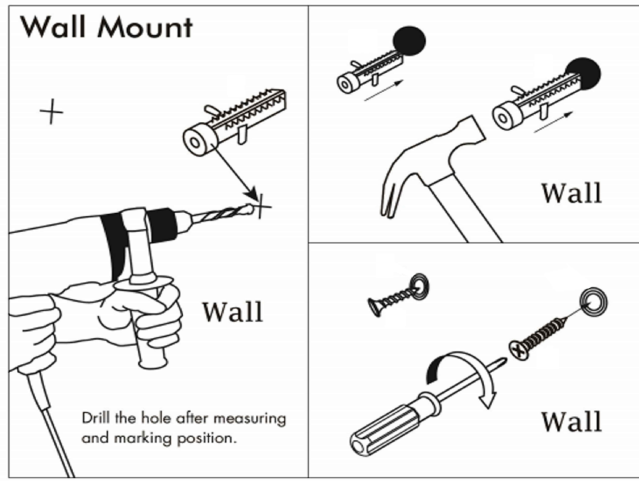


1pcs



# Step 66

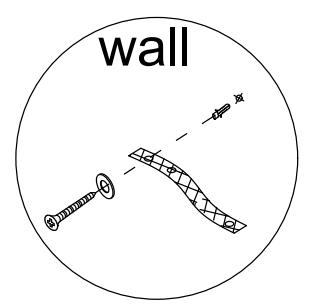
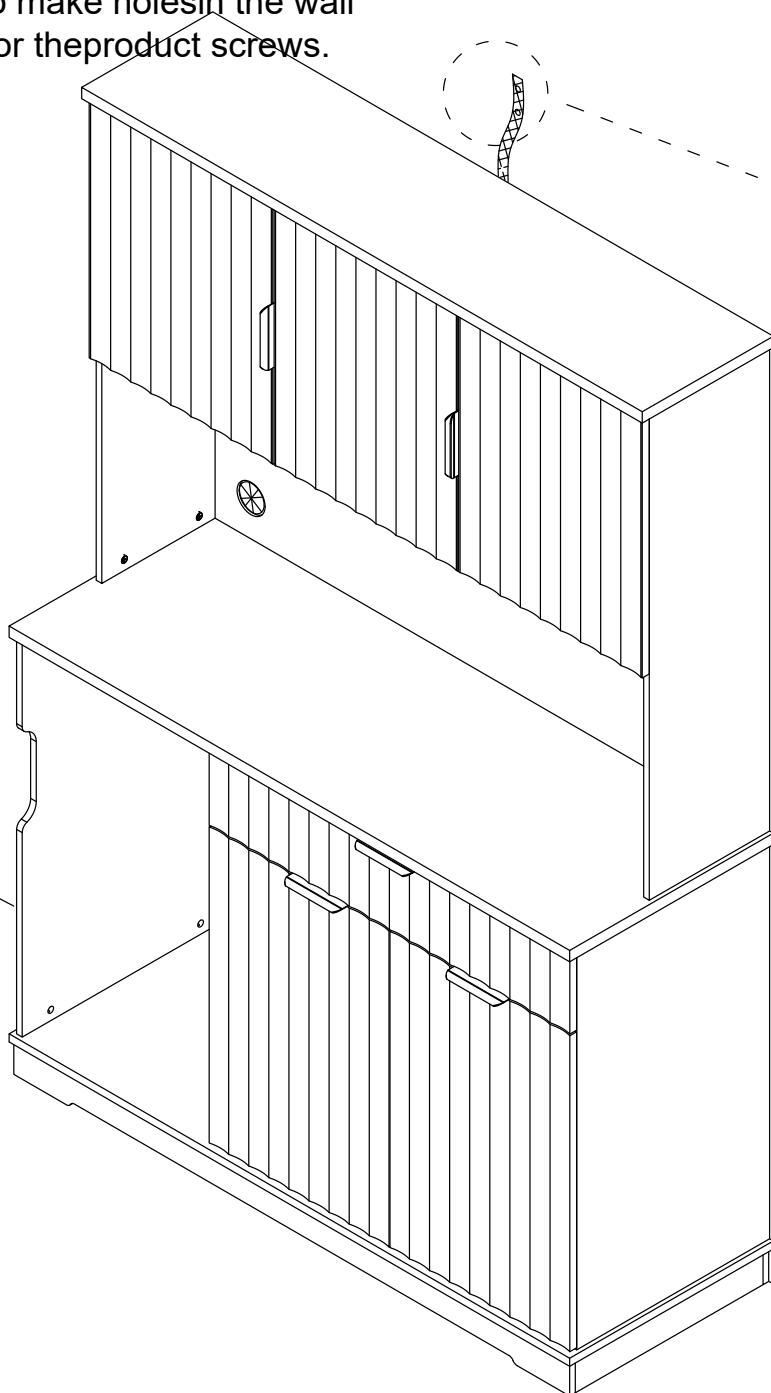
use a ruler to measure the approximate height of the product on the wall, and then mark it with a pencil.



Put the expansion bolt into the hole.

Pass the matching screws through the "anti-rewind" and tighten them to fix them on the wall.

Use a tape drill to make holes in the wall that are suitable for the product screws.





## User's Guide

Thank you for purchasing this product.

To use this product, please connect it to a power source.

Please use if the product works normally after connecting to power.

## Introduction

The box is an intelligent controller. It has 1 USB output port 1 Type-c port .

With 2 touch buttons, it can turn. ON/OFF the light, change light colors, and adjust the light luminance.it can and turn ON/OFF the induction function.

## Operation



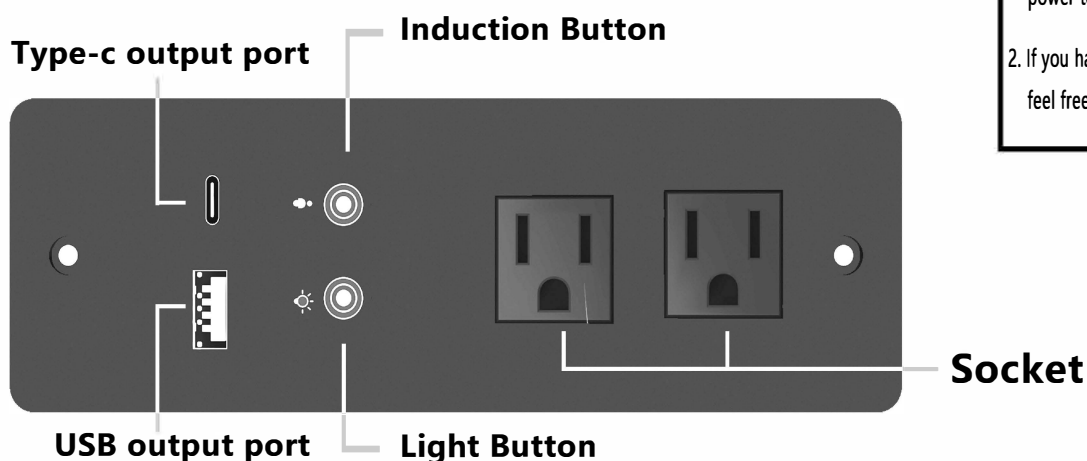
This touch button is used to turn on/off, change colors, and adjust brightness.

- A. Short touch -> lighting on -> short touch -> change light color -> short touch -> change light color -> short touch -> lighting off.
- B. Long touch -> adjust the luminance. (The brightness of each color can be adjusted individually)



This touch button is used to turn on/off the induction function.

- A. Short touch to turn on the induction function. It can auto-turn on the light when people are close to the controller in 1 meters. It can auto power off the light when the body is far away from the controller after 30 seconds.
- B. Long touch to turn off the induction function.
- C. Note: When you touch the light button to change the light modes, the induction function will automatically turn off. It is best to turn on this function after selecting the light color and adjusting the brightness you want.



### ATTENTION PLEASE

1. If there is no touch response suddenly, Re-plug the power to reset the touch static electricity.
2. If you have any questions when installing, please feel free to contact us. Thank you.