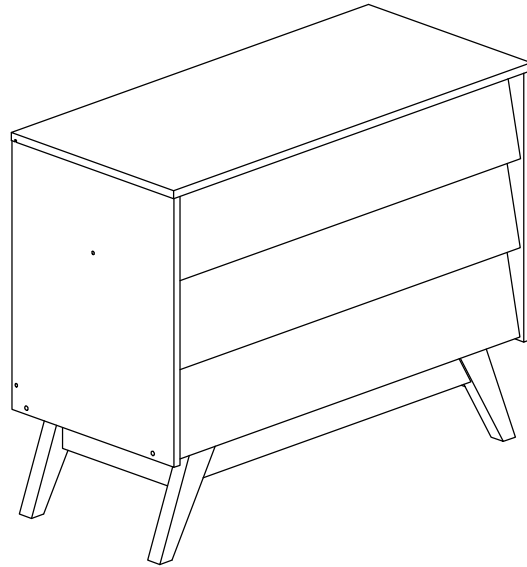
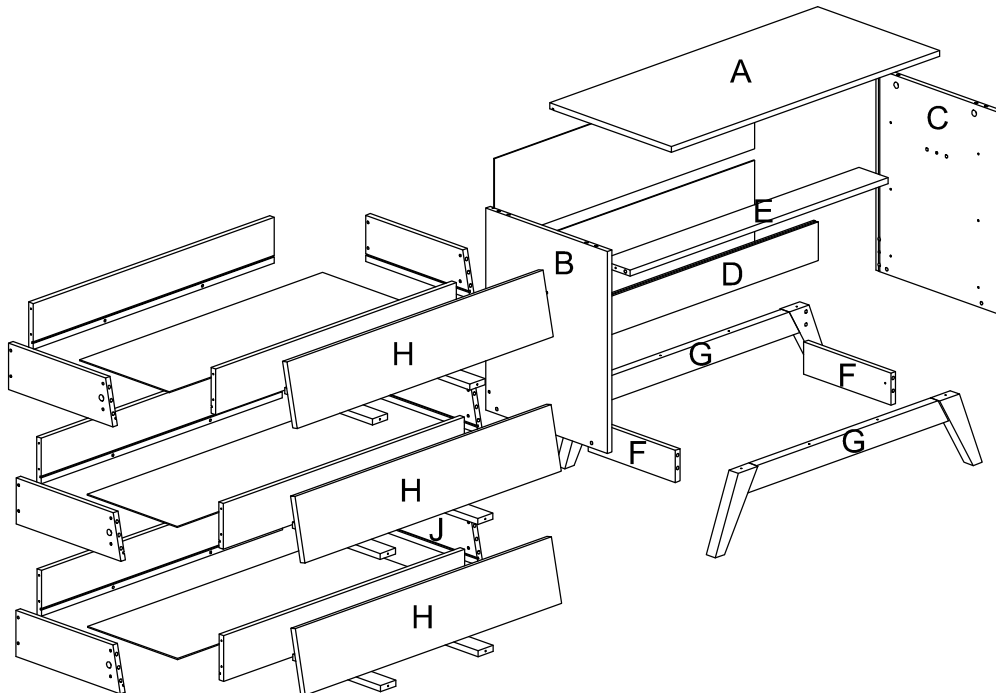


Assembly Instruction


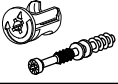



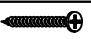
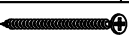





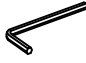
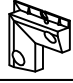




Part List



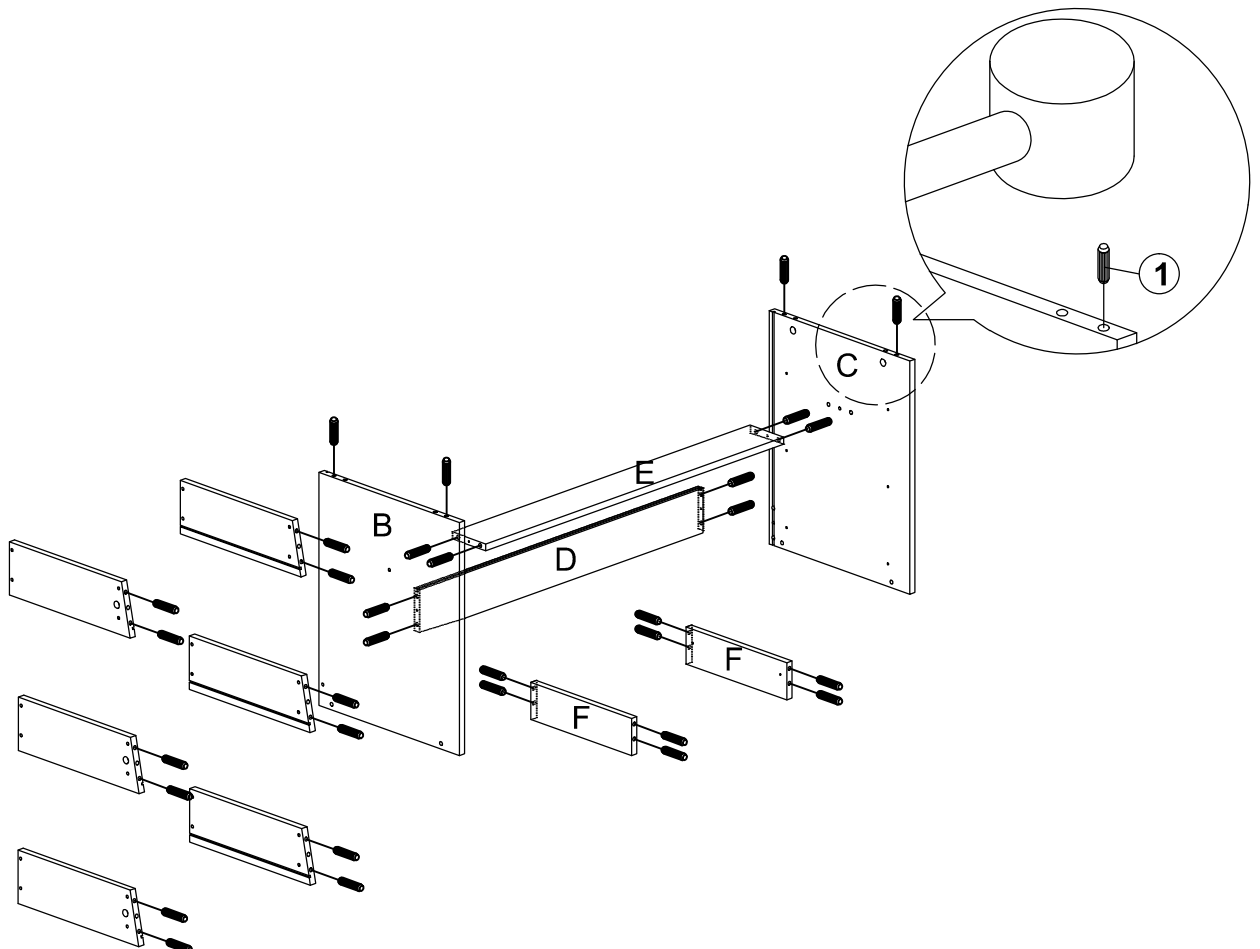
Assembly Instruction

Hardware List

No.	SHAPE	DESCRIPTION	Qty.
1		8x25mm Wood Dowel	32Pcs
2		15MM Myfix Minifix	10Sets
3		M5x8mm Screw (Euro Screw)	12Pcs
4		M3x16mm Screw	8Pcs
5		M3.5x15mm Screw	20Pcs
6		M4x38mm Screw	40Pcs
7		M4x50mm Screw	8Pcs
8		JCBC - Blot M6x30mm	4Pcs
9		L Bracket	4 Pcs
10		Nail Leg	4Pcs

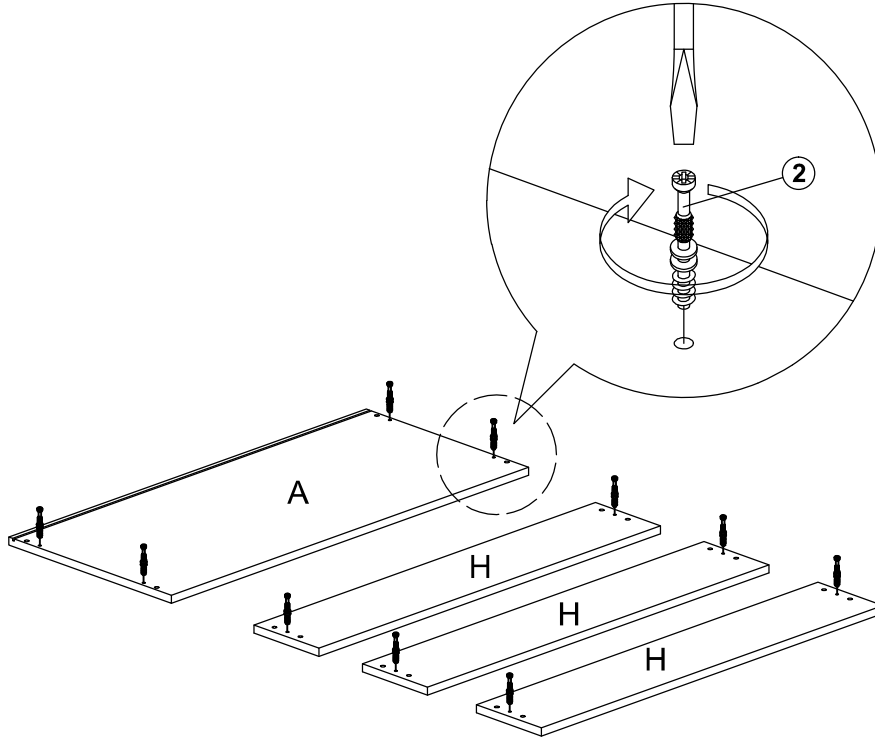
11		L Key	1Pc
12		Z Bracket (Big)	4Pcs
13		Metal Drawer Slide 14" (350mm)	3 Sets
14		Minifix Cap	6Pcs
15		Screw Cap	4Pcs
16		Metal Cross Bar 848x25x25mm	2 Pcs

Step 1

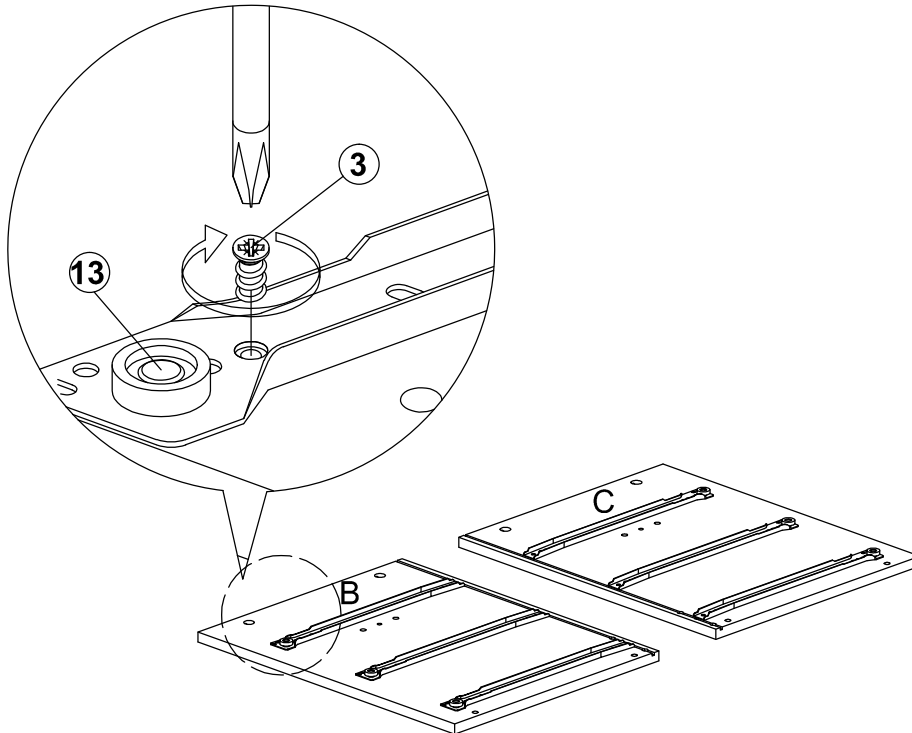


Assembly Instruction

Step 2

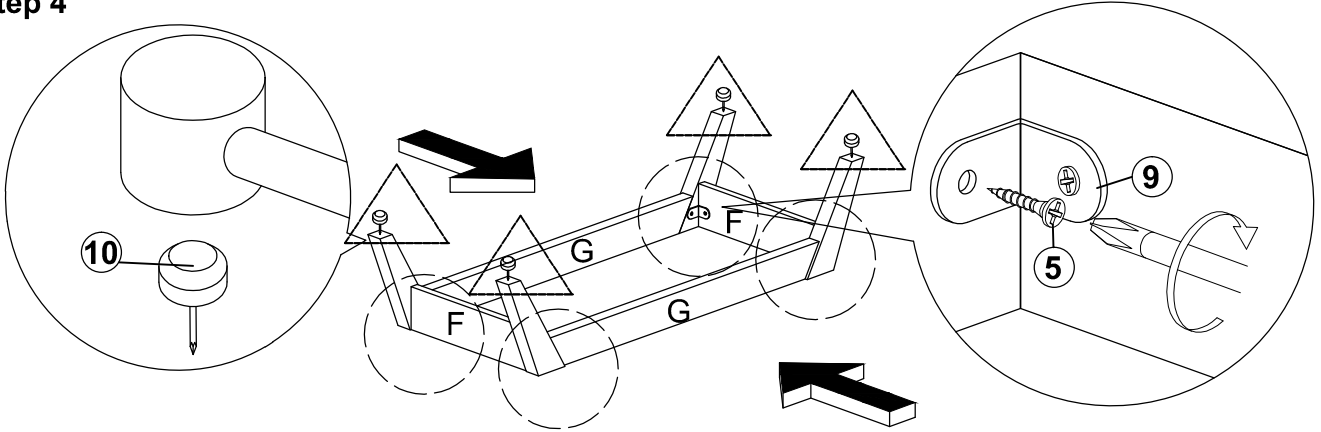


Step 3

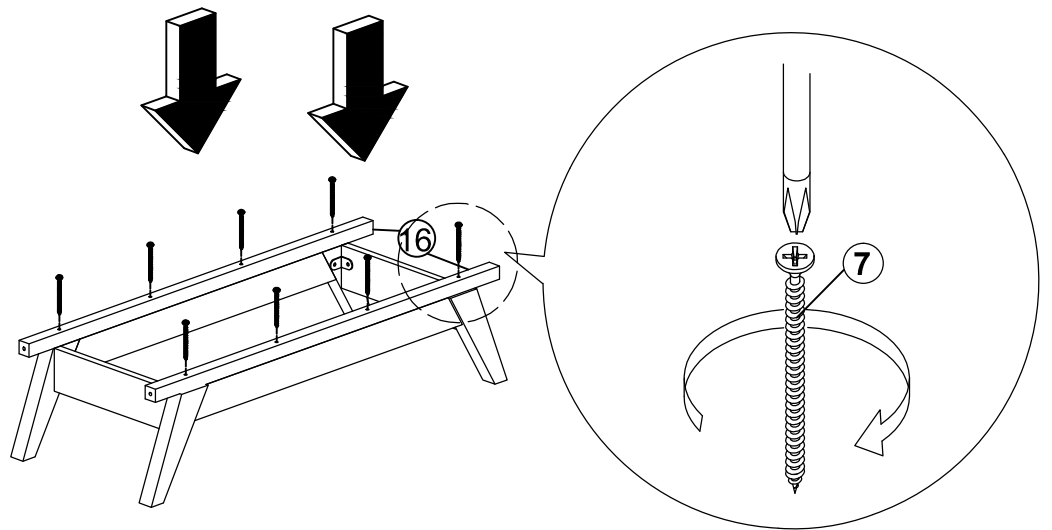


Assembly Instruction

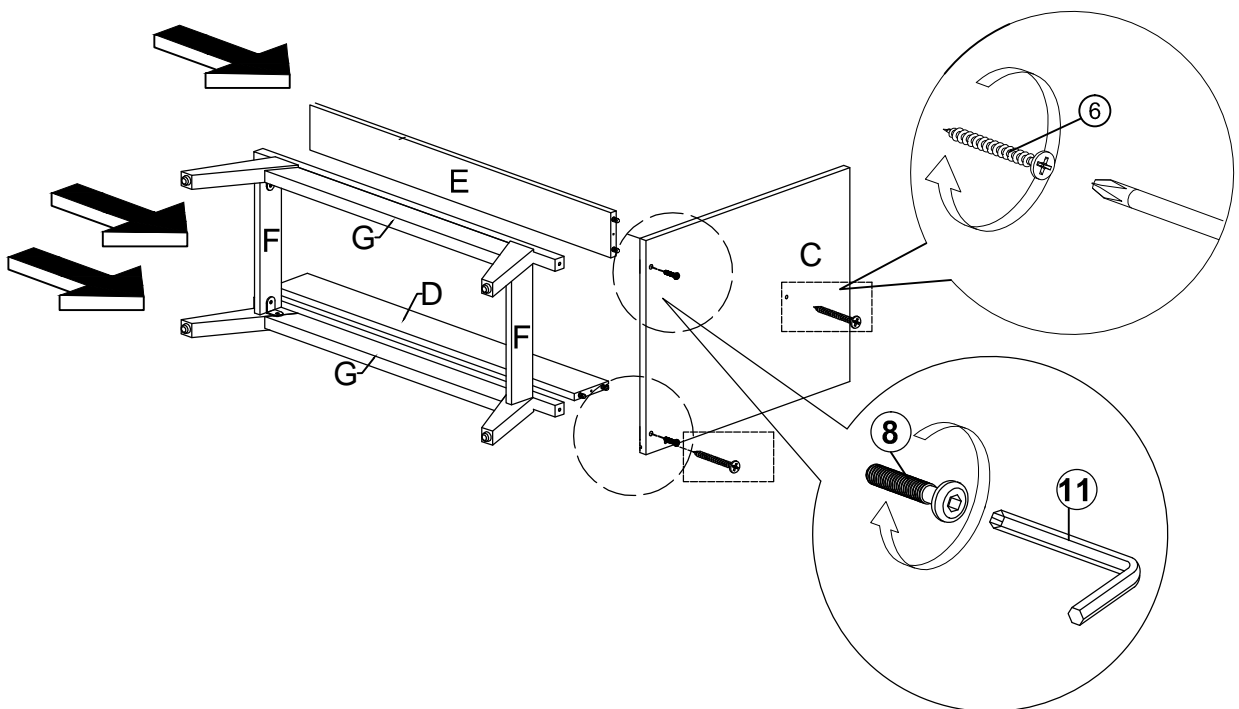
Step 4



Step 5

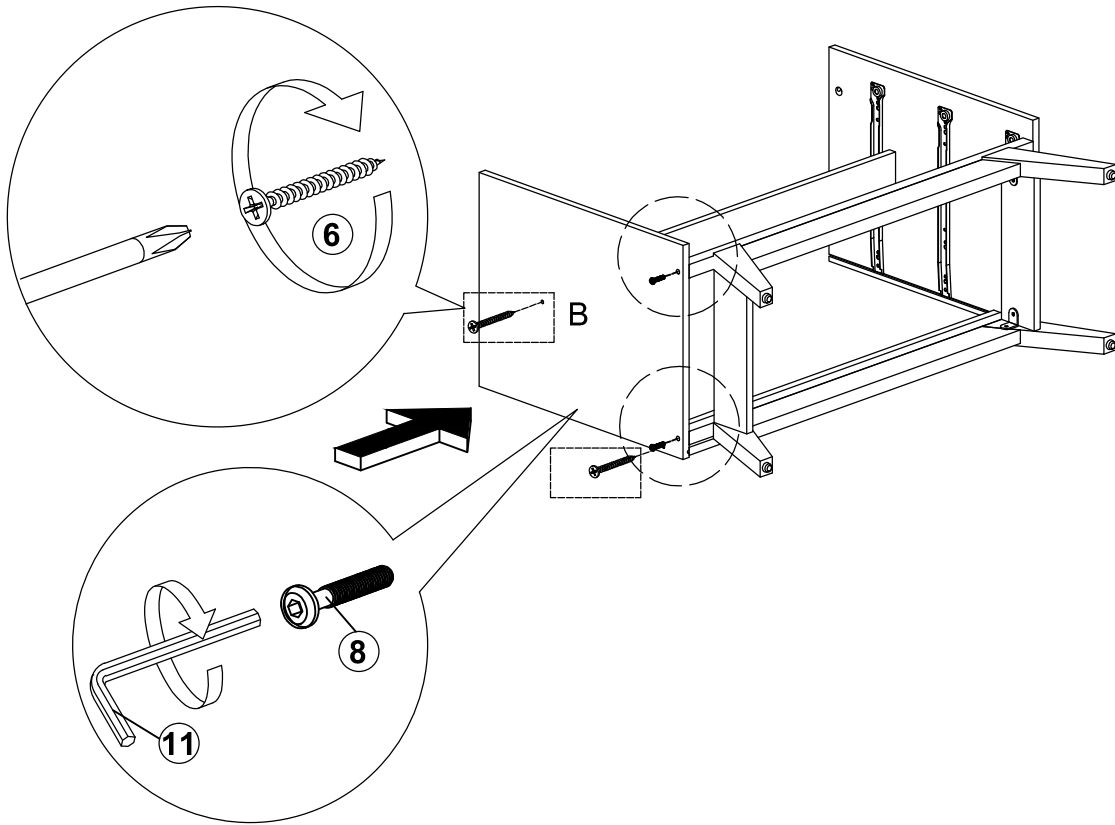


Step 6

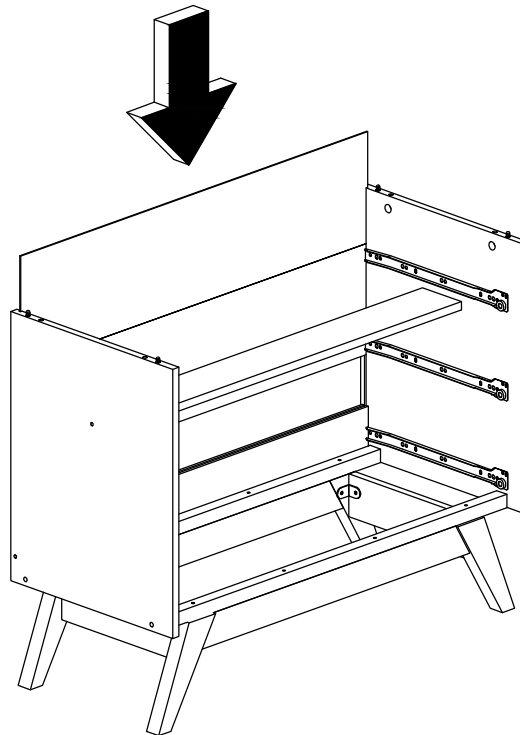


Assembly Instruction

Step 7

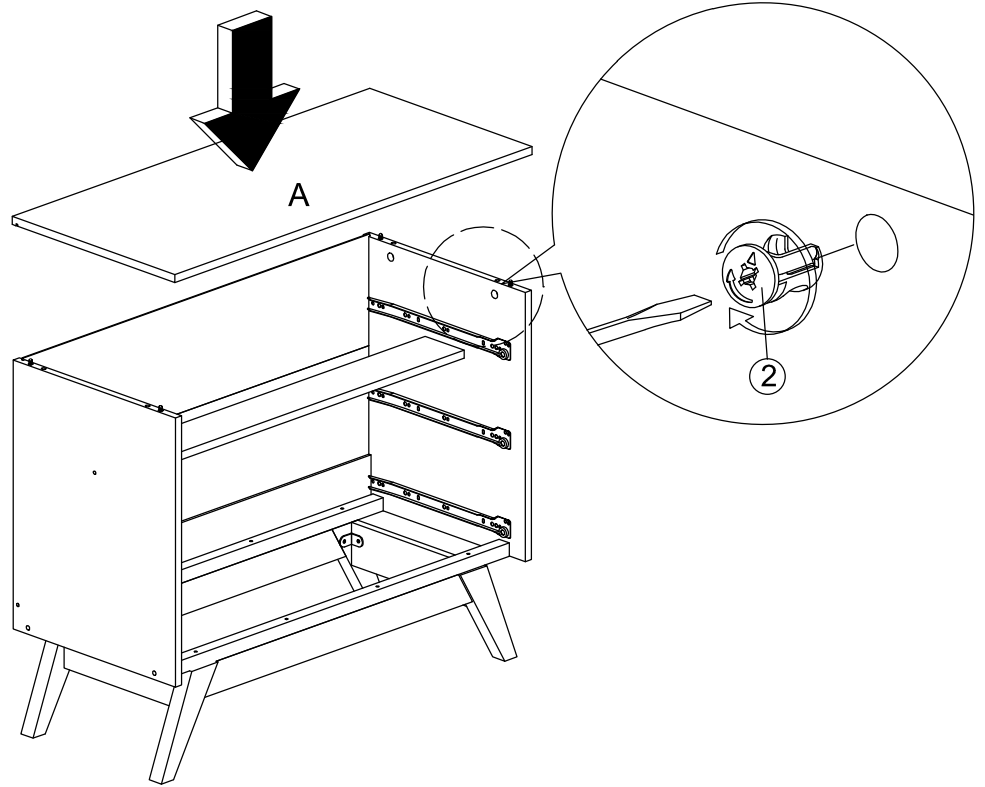


Step 8

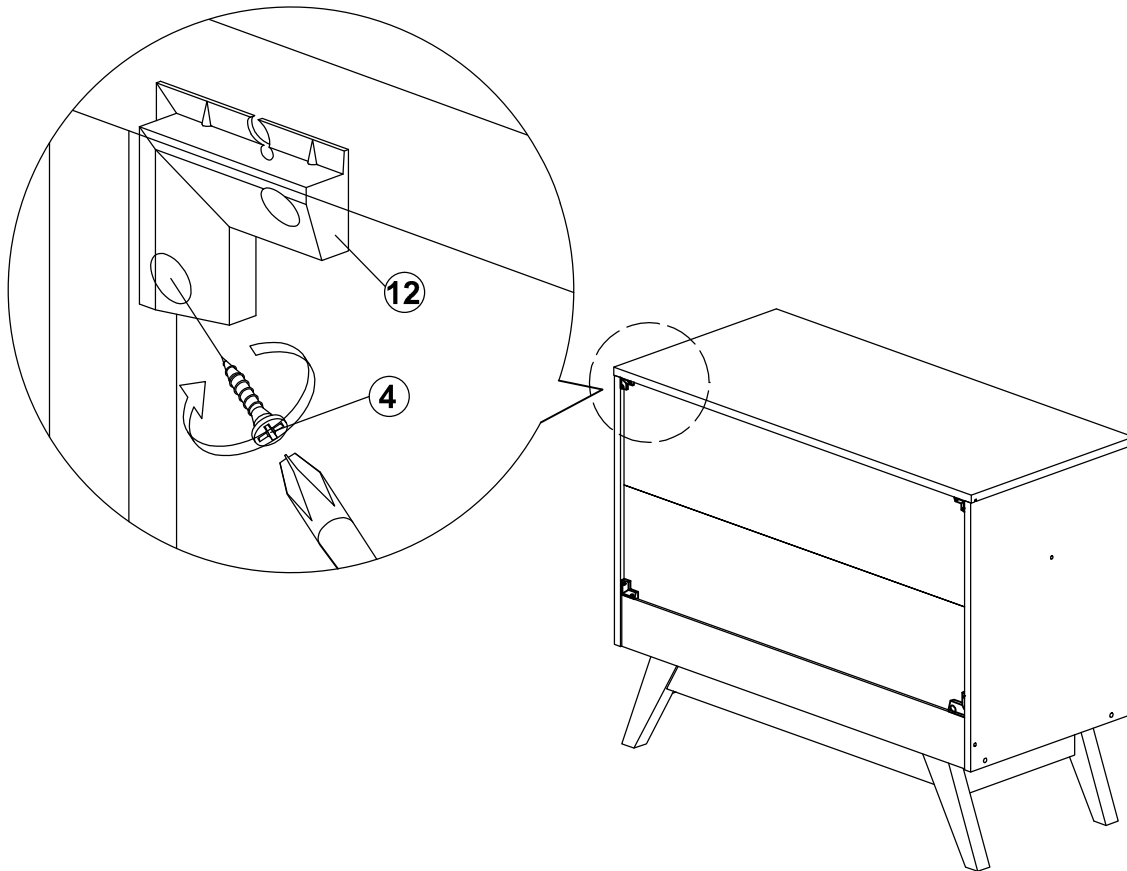


Assembly Instruction

Step 9

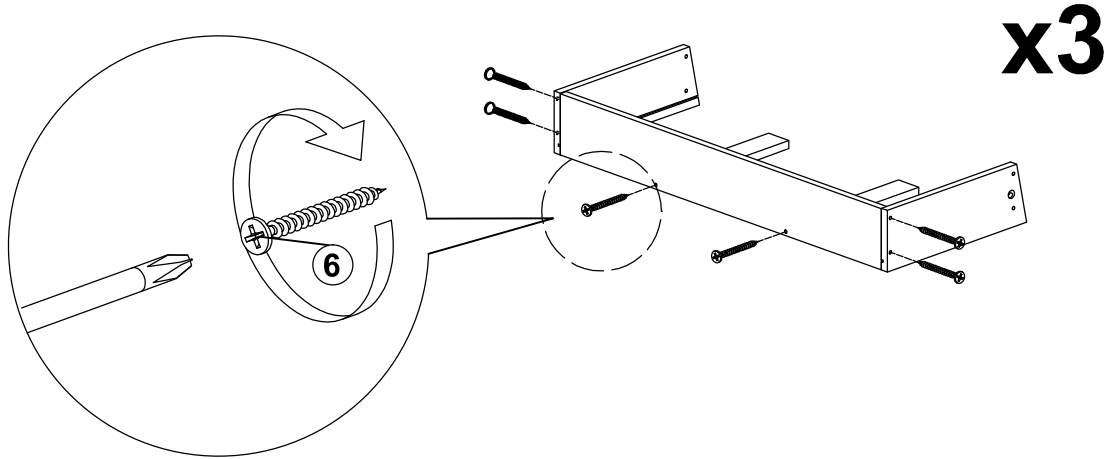


Step 10

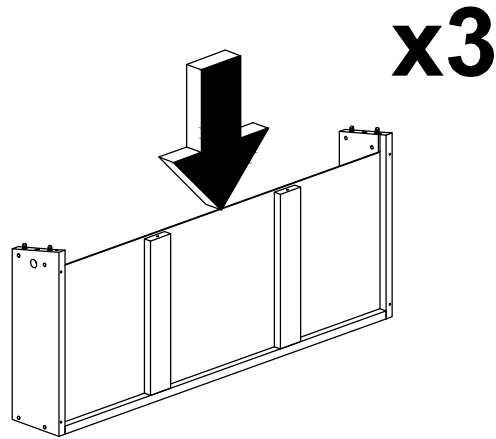


Assembly Instruction

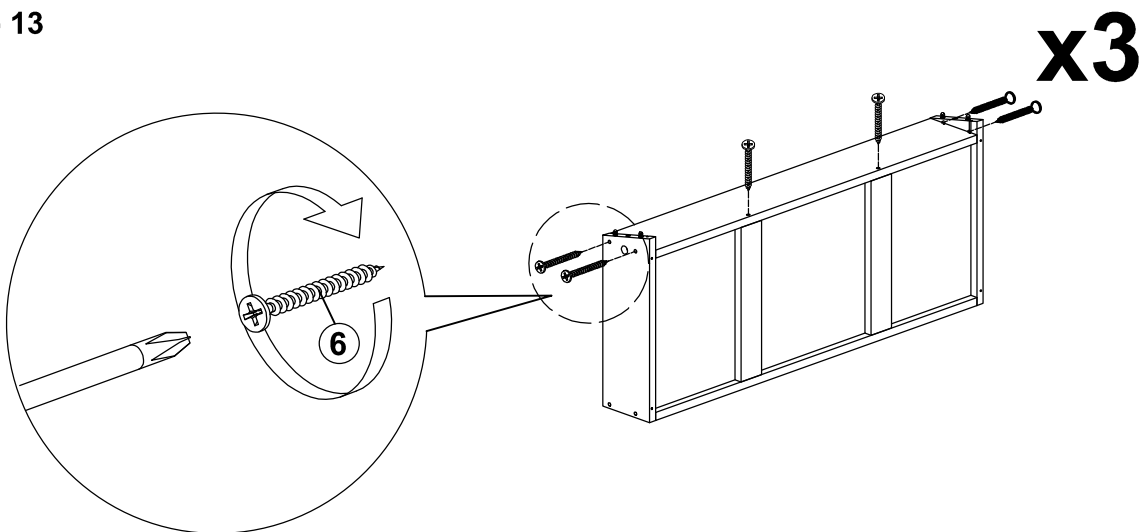
Step 11



Step 12

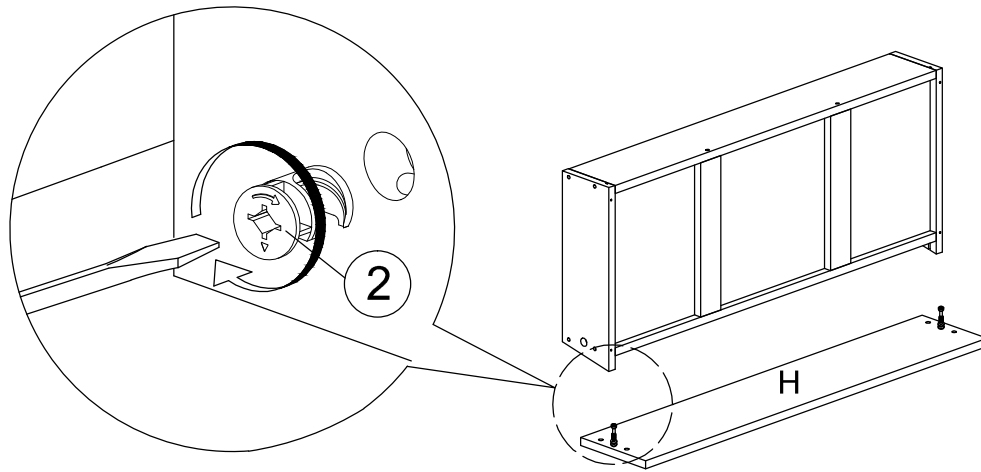


Step 13



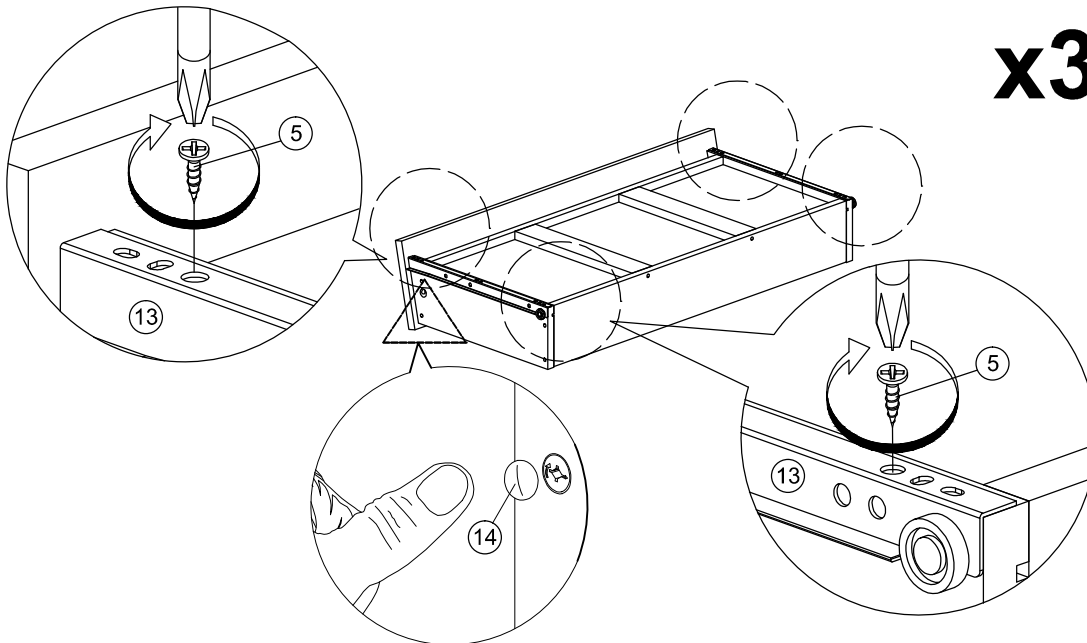
Assembly Instruction

Step 14



x3

Step 15



x3

Complete

