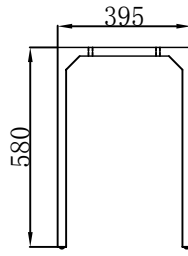


ASSEMBLY INSTRUCTION

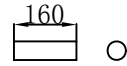
1. - 1 Pc.



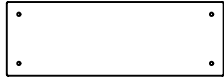
3. - 2 Pcs.



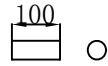
4. - 4 Pcs.



2. - 1 Pc.



5. - 4 Pcs.



A. - 4 Pcs.



B. - 12 Pcs.



C. - 4 Pcs.



D. - 4 Pcs.



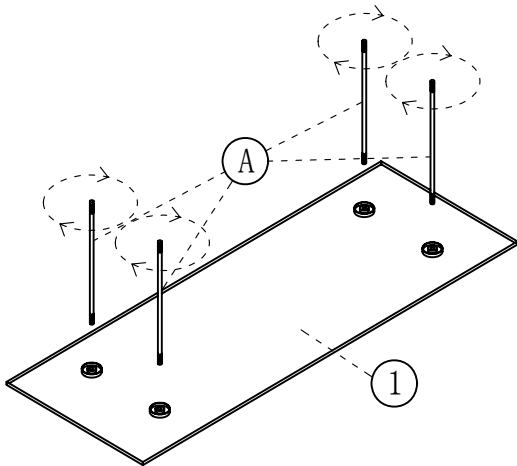
E. - M8-4 Pcs.



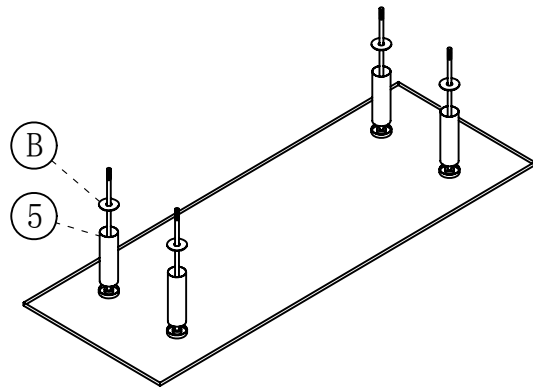
F. - M8-1 Pc.



1



2



3

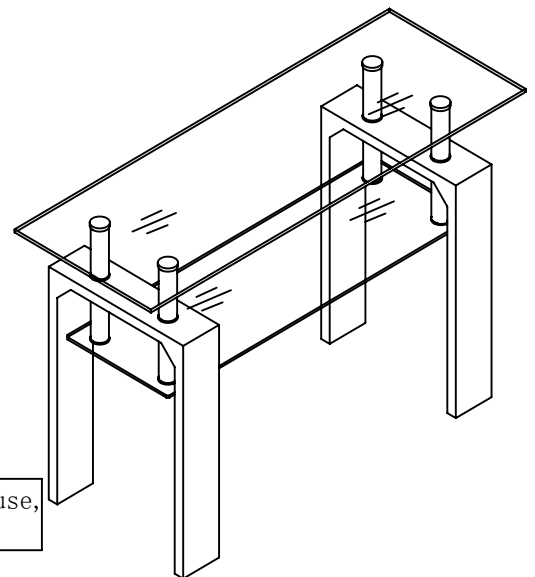
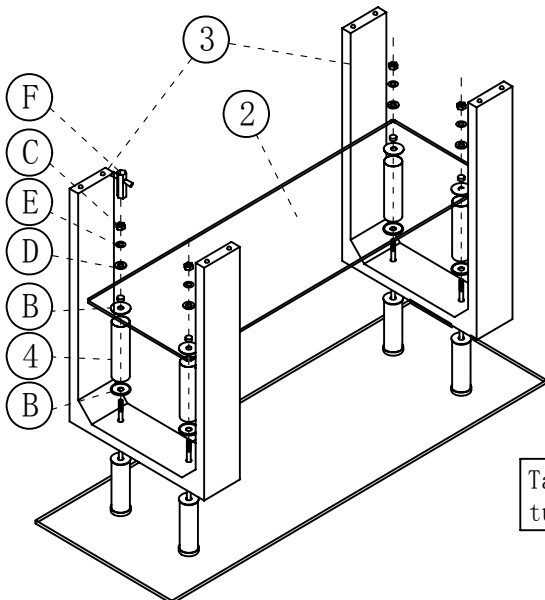


Table is ready to use,
turn it over.