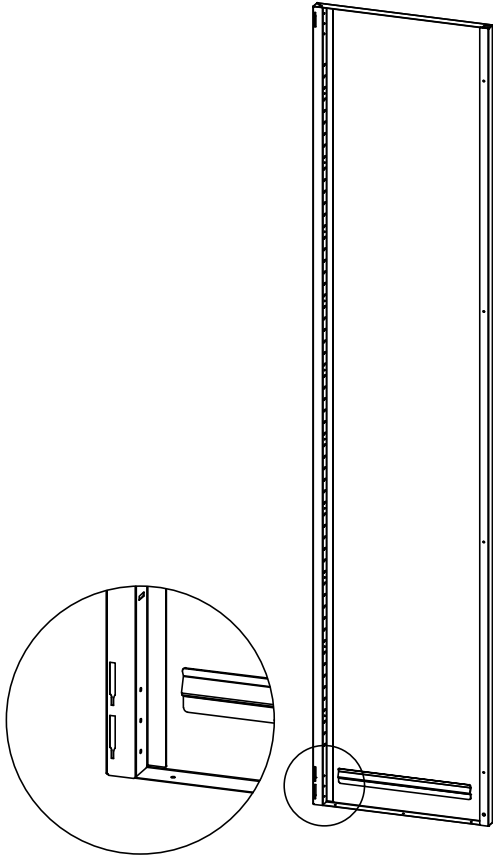
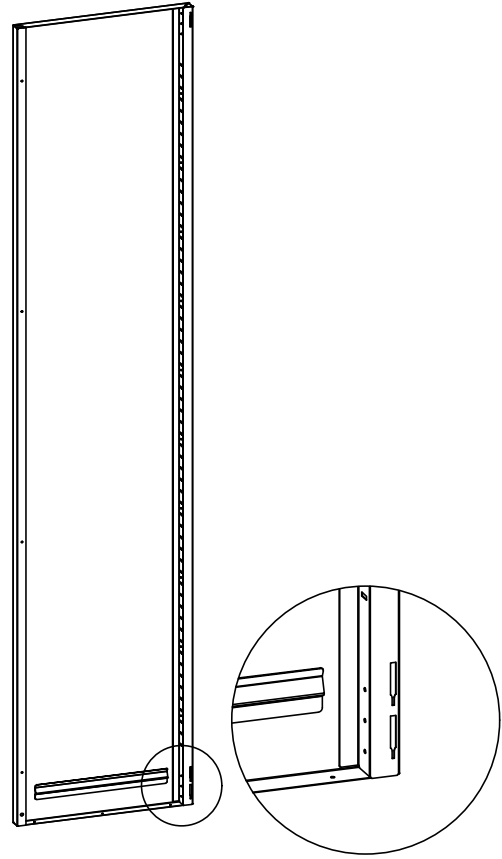
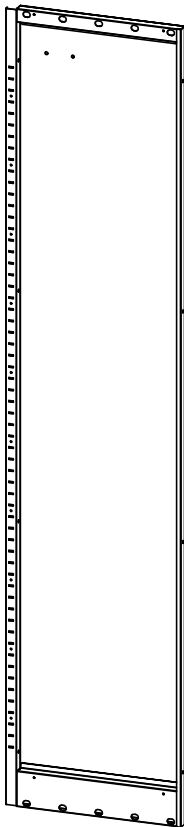
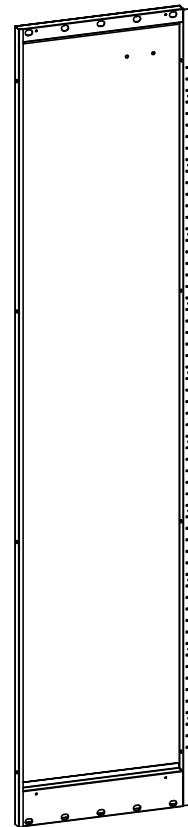
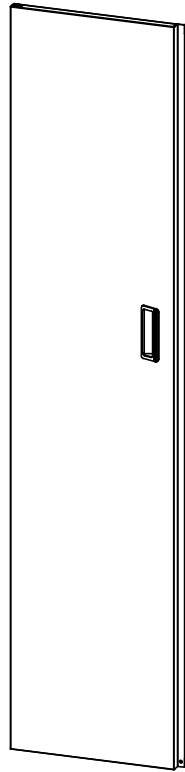
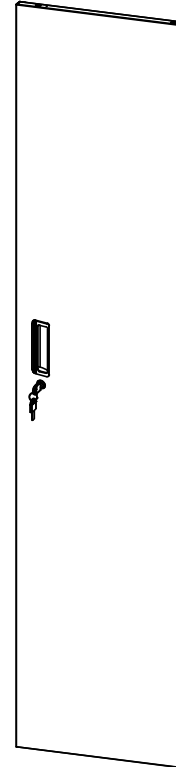
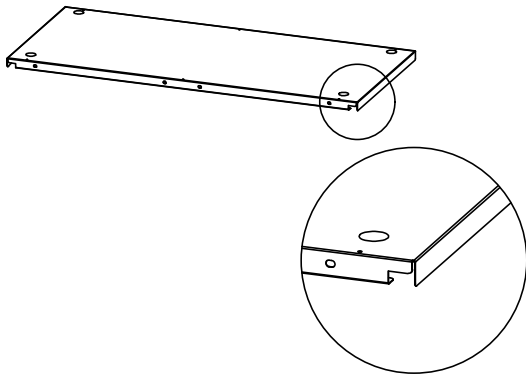
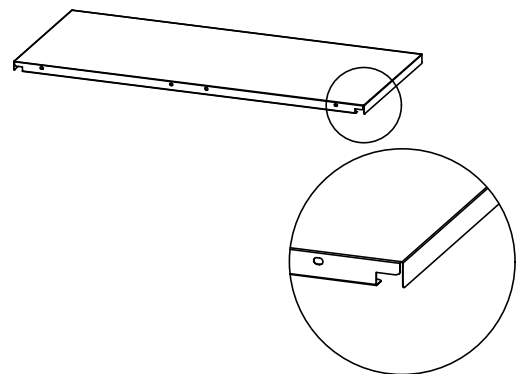
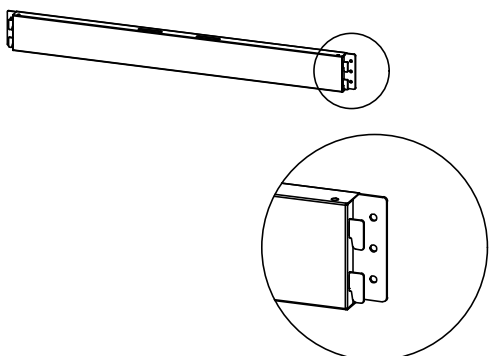
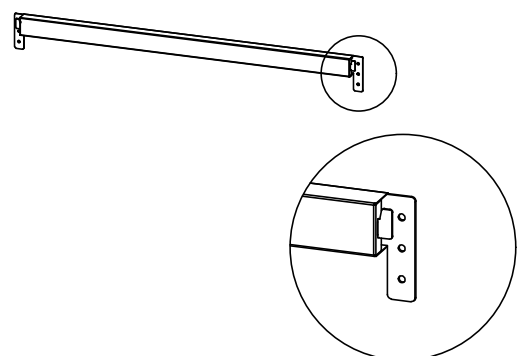
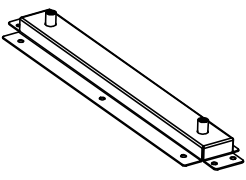
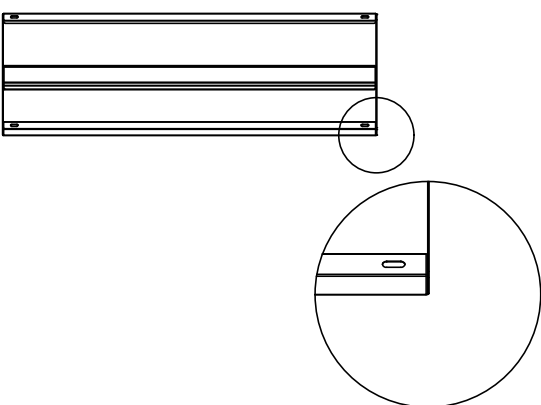
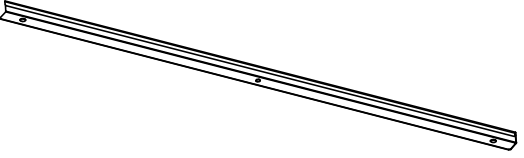



A**Left side panel****1PC****B****Right side panel****1PC****C****Left back panel****1PC****D****Right back panel****1PC**

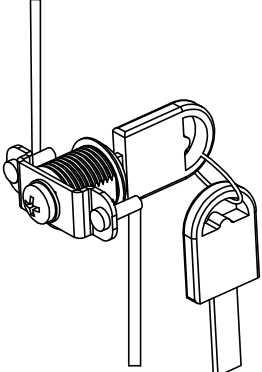
E**Left door****1PC****F****Right door****1PC****G****Bottom panel****1PC****H****Top panel****1PC****I****Kick plate****1PC****J****Top plate****1PC**

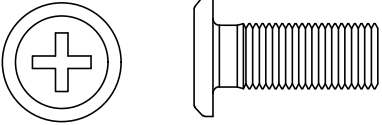
K	Base	2PCS
		


L	Shelf	4PCS
		


M	Bottom face	1PC
		

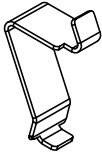

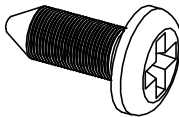



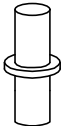


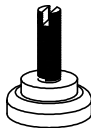
N	Handle	2PCS
		
<p>Already pre-installed on the doors</p>		

O	Lock	1PC
		
<p>Already pre-installed on the doors</p>		

P	4PCS
$\phi 5\text{mm} \times L12\text{mm}$	
	

Q	Nut	4PCS
$\phi 5\text{mm} \times L12\text{mm}$		
		

R	Spring shaft	2PCS
		
<p>Already pre-installed on the doors</p>		

S	Shelf clasp	16PCS	T		53PCS
			$\phi 5\text{mm} \times L10\text{mm}$		
			 		
U	Lock rod sleeve	2PCS	V	Expansion screw	2PCS
			 		
<p>Already pre-installed on the doors</p>					
W	Door pivot	2PCS	X	Shim	2PCS
					
Y	Bottom panel cap	4PCS	Z	Foot	4PCS
					

CAUTION

An assistant is required

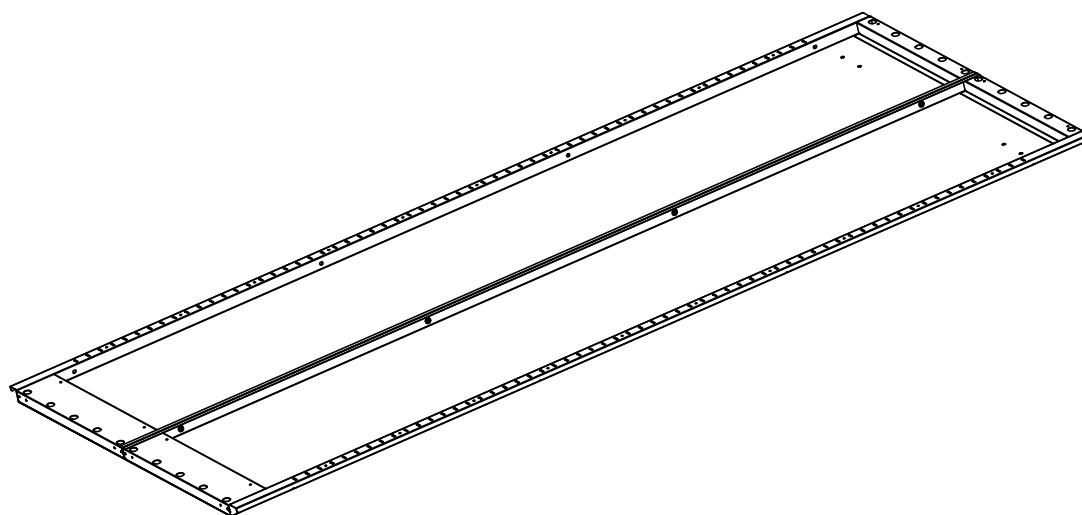
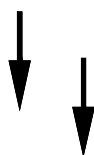
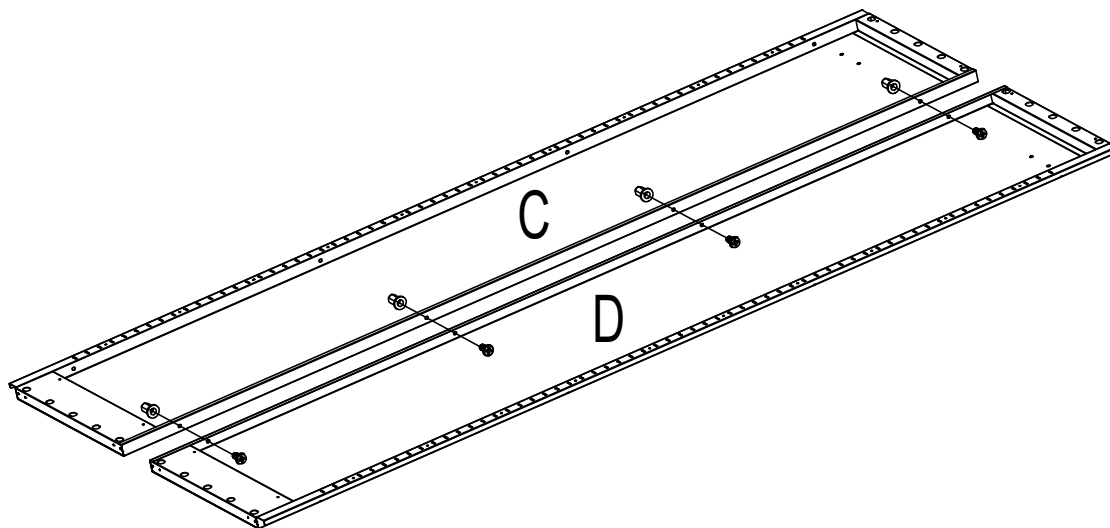
Please kindly note:



1. When opening the package, you may find 4 corners are equipped with 4 corner protectors. They are used to protect the products from getting damaged in transit, not used to assemble.

2. If there is any problem, please feel free to contact our customer service team and we are always here to assist with you!

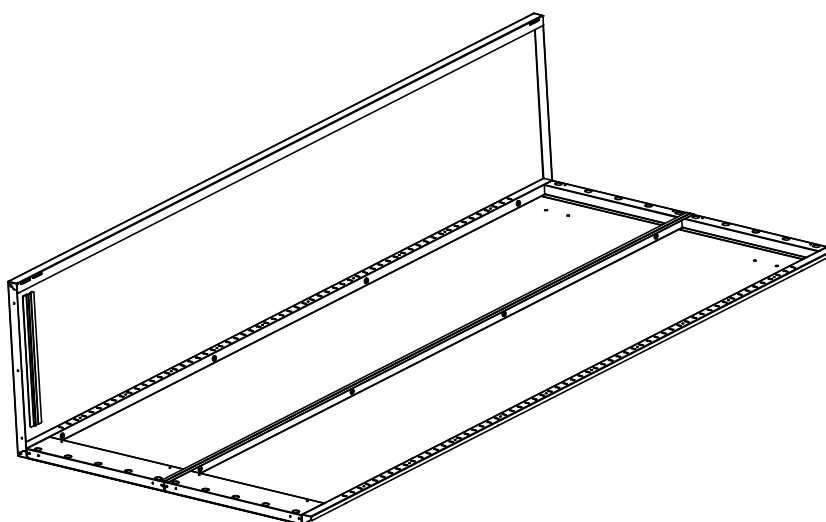
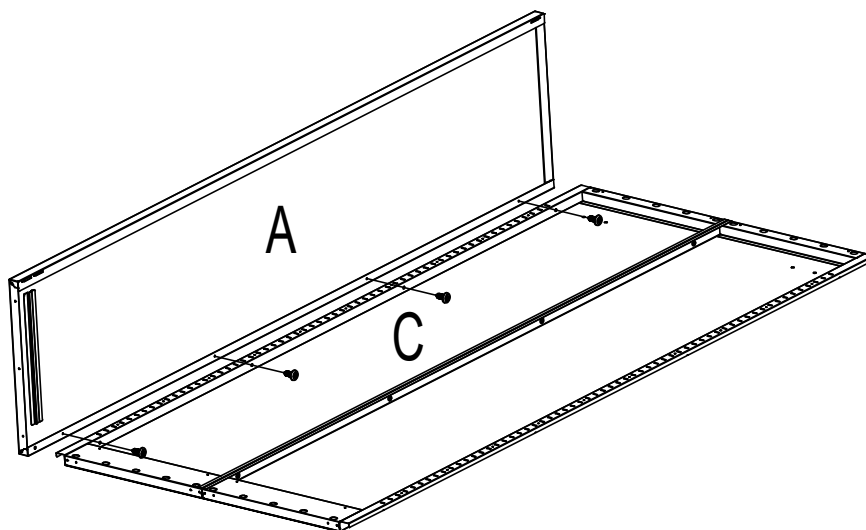
If there is any slight dent or damage, you can try to fix it by pliers or hammers.

Step 1: Connect left back panel C and right back panel D by screws P and nuts Q



P		4PCS	Q		4PCS
---	---	------	---	---	------

Step 2: Connect left side panel A to left back panel C by screws T

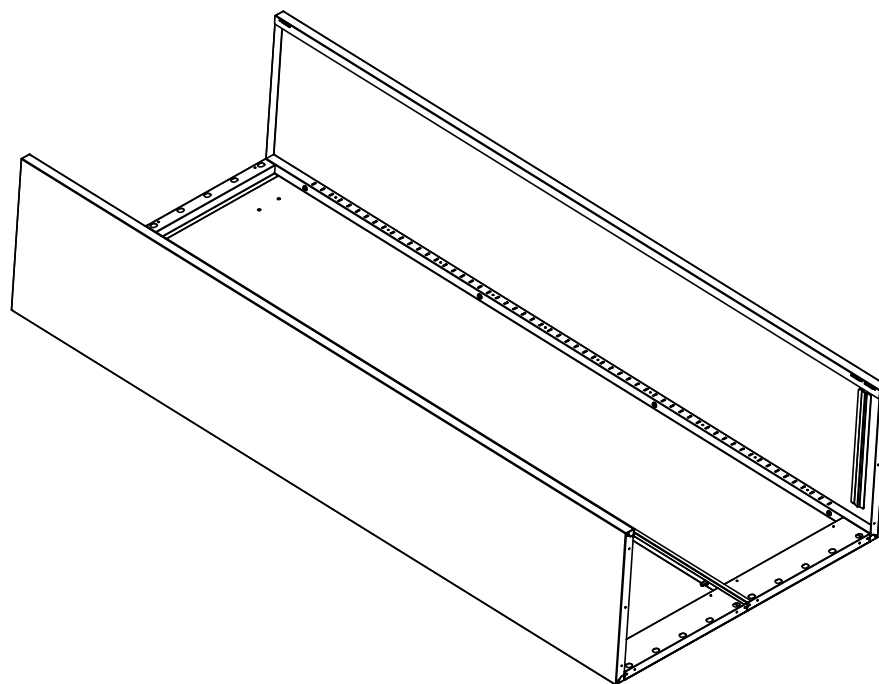
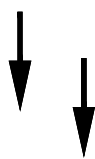
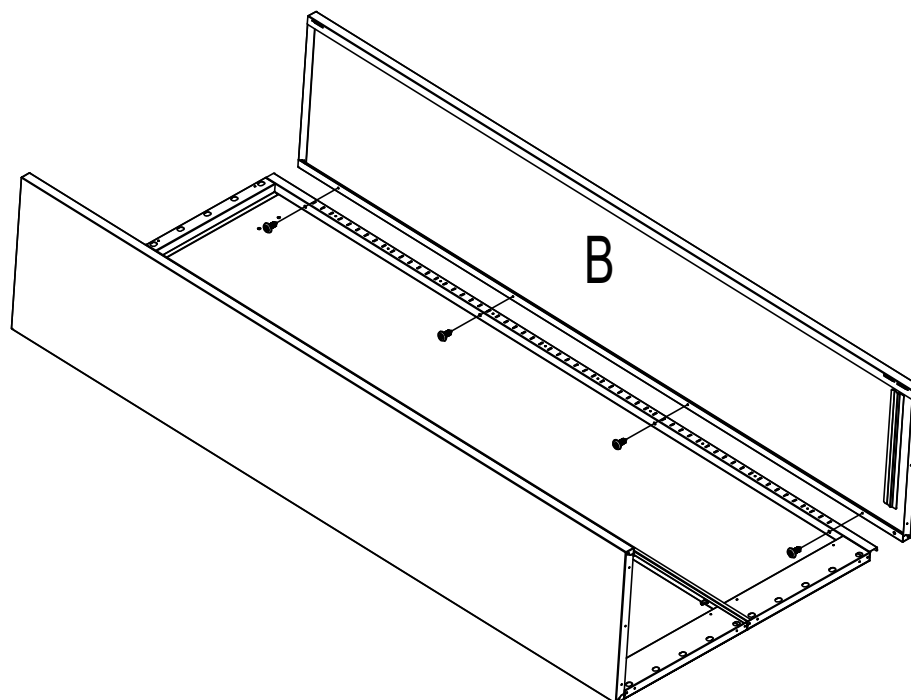




T



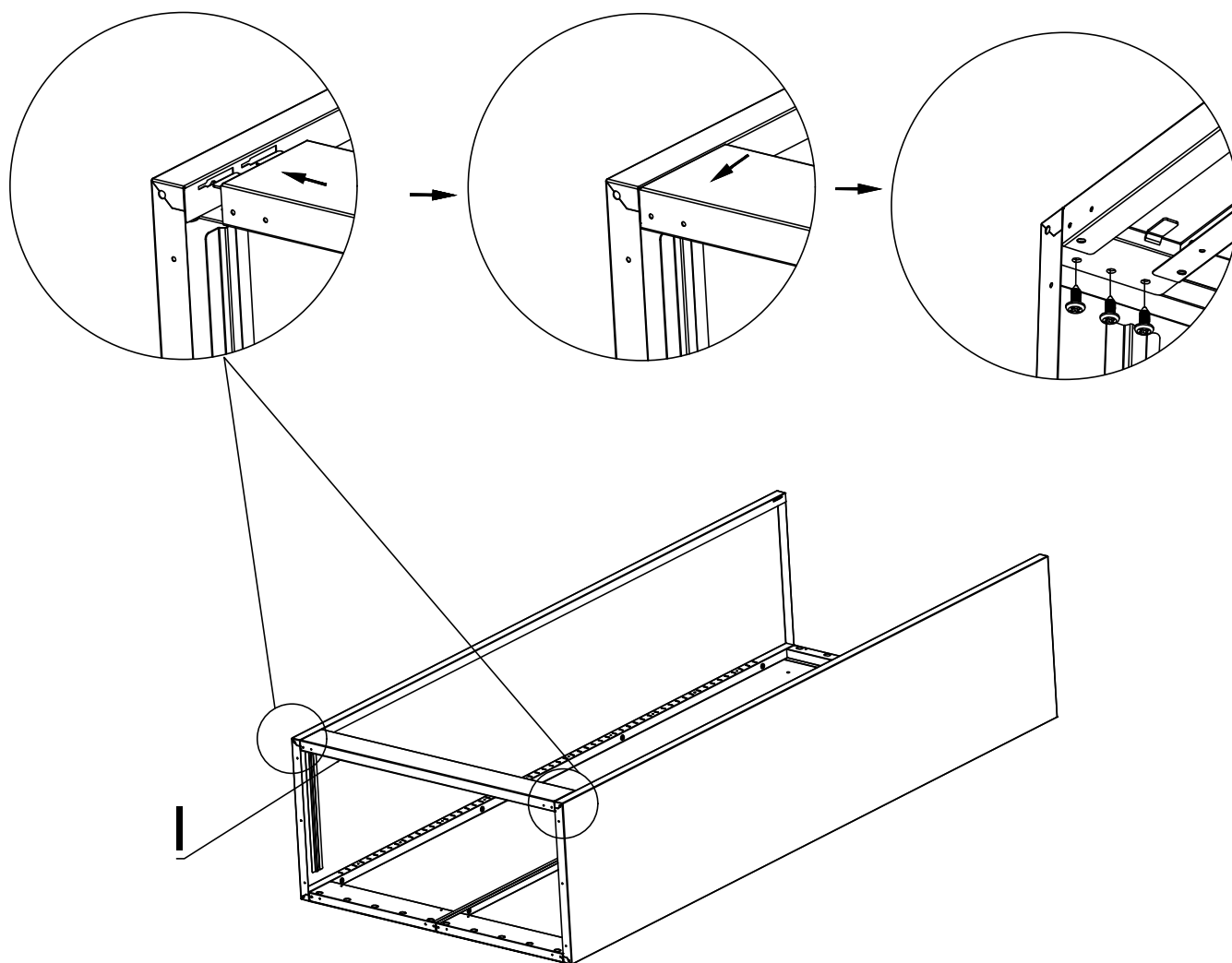
4PCS

Step 3: Connect right side panel B to right back panel D by screws T



T			4PCS
---	---	---	------

Step 4: Insert kick plate I on the bottom, press it downward, then fix it with screws T

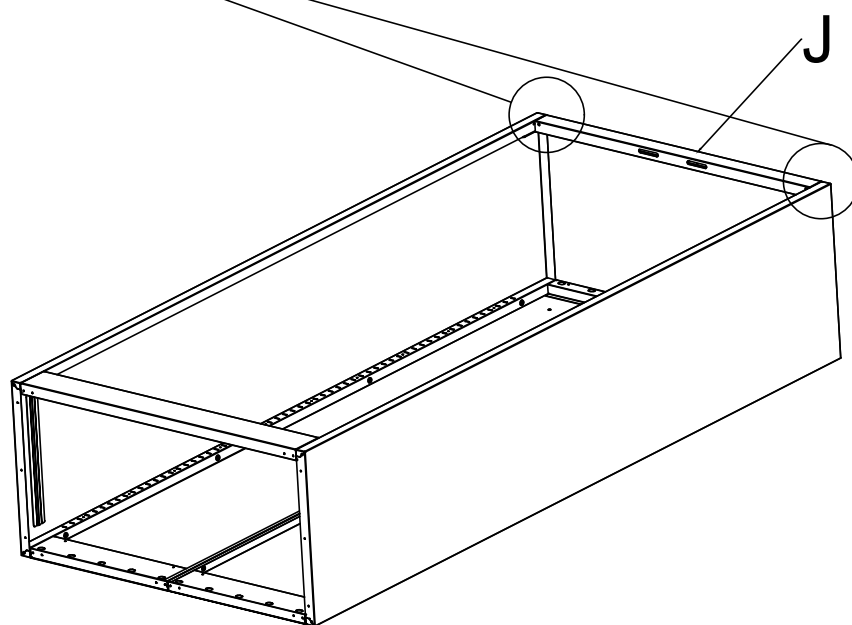
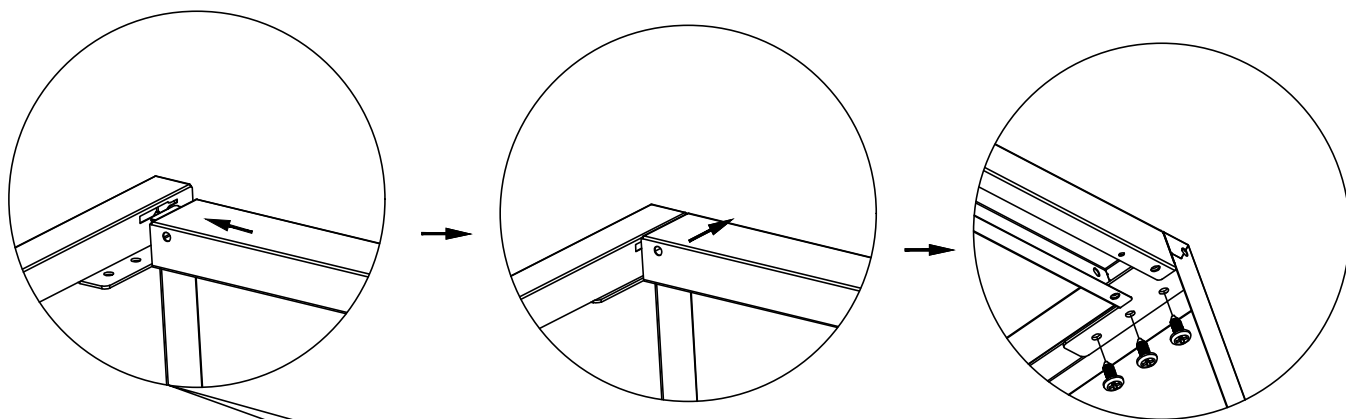


T



6PCS

Step 5: Insert top plate I on the top, press it upward, then fix it with screws T

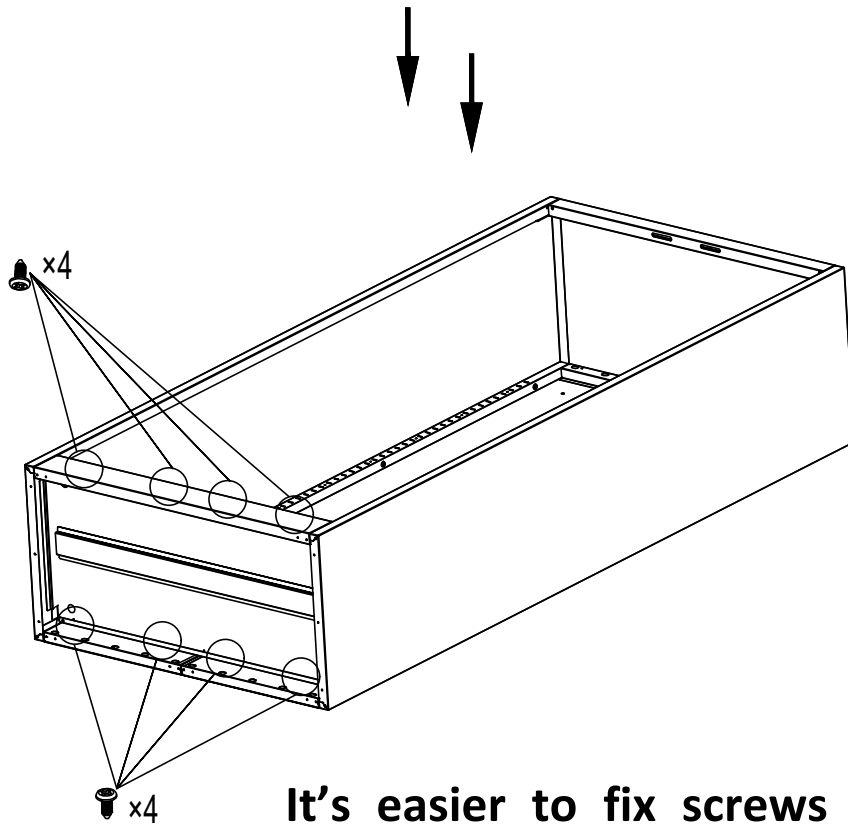
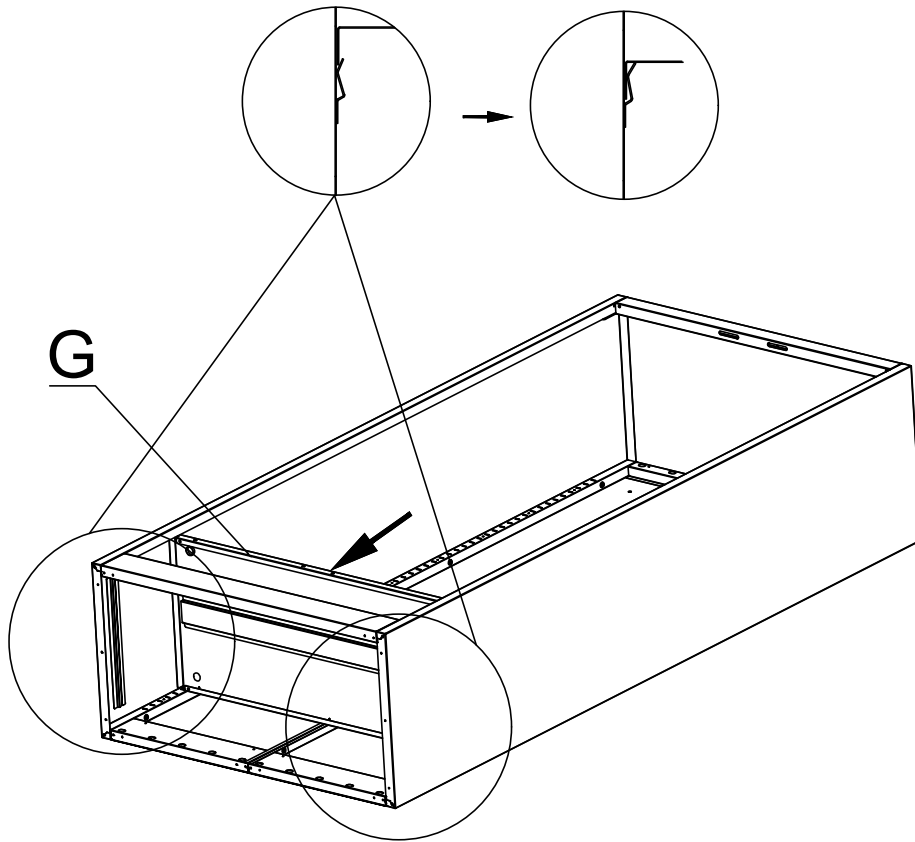


T





6PCS

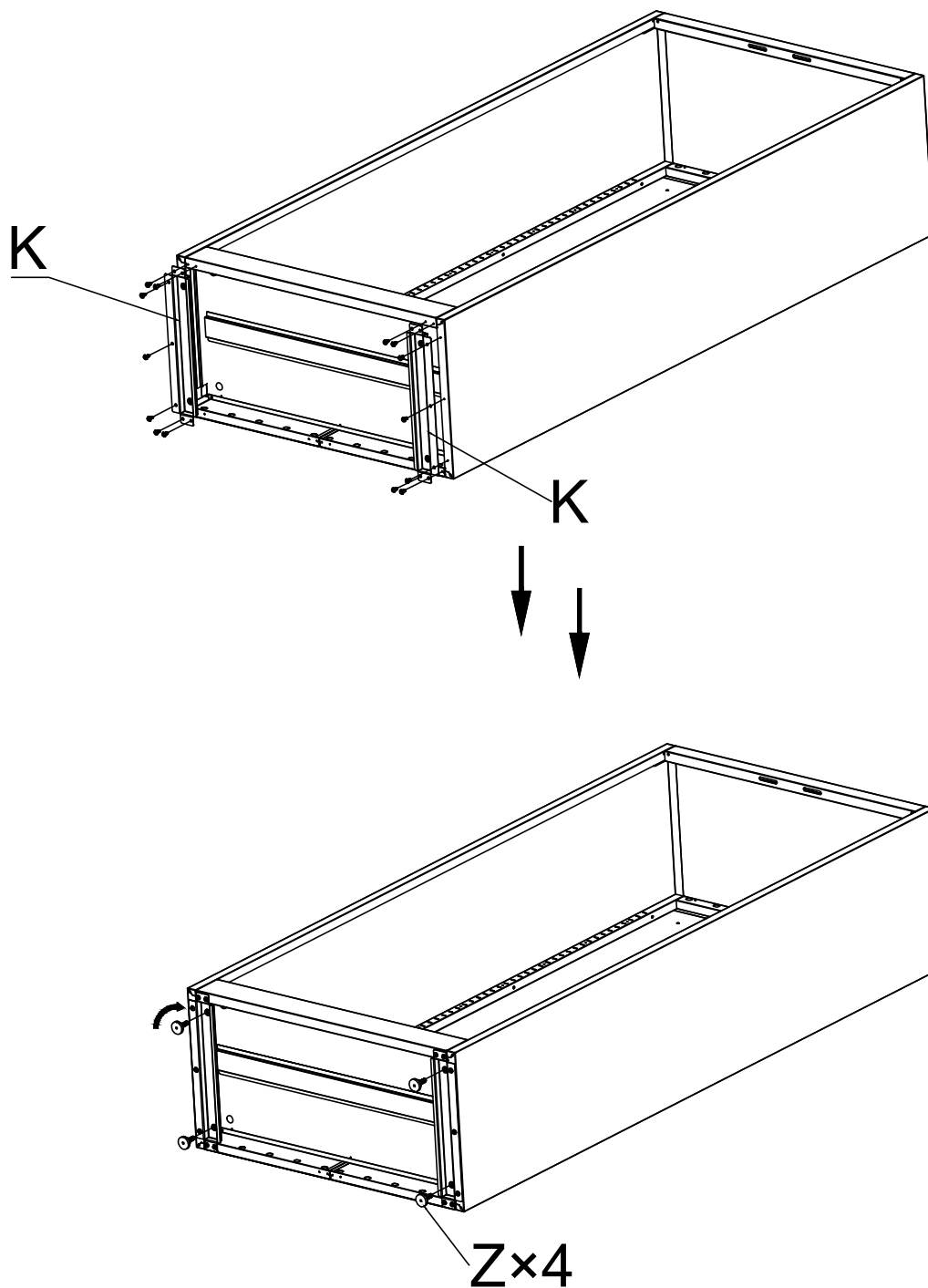
Step 6: Install the bottom panel G and fix it with screws T



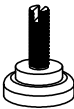


It's easier to fix screws when back panels or side panels are put on the floor

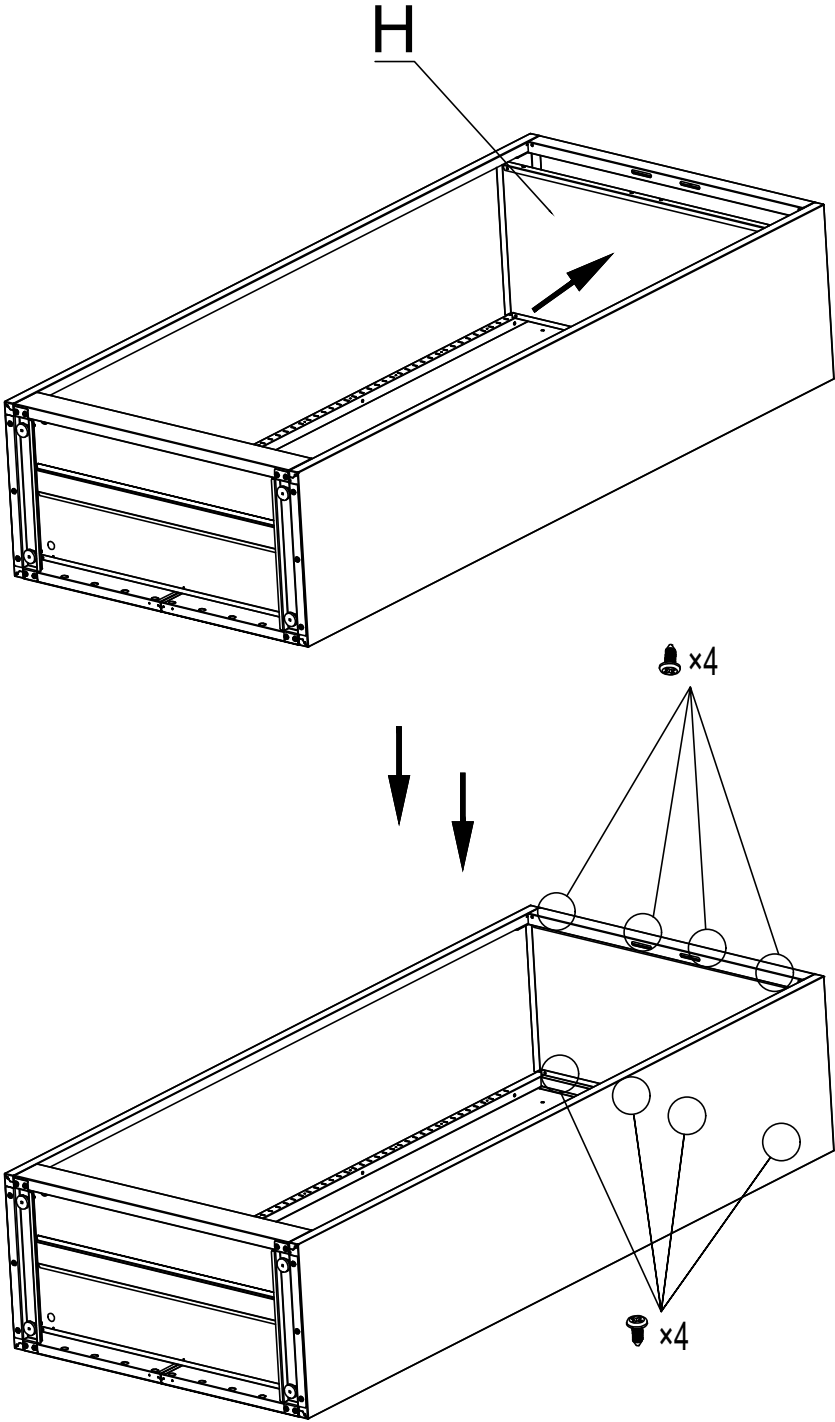
T			8PCS
---	---	---	------

Step 7: Install the bases K on the bottom panel and fix them with screws T, then attach feet Z on the bases





T			14PCS	Z		4PCS
---	---	---	-------	---	---	------

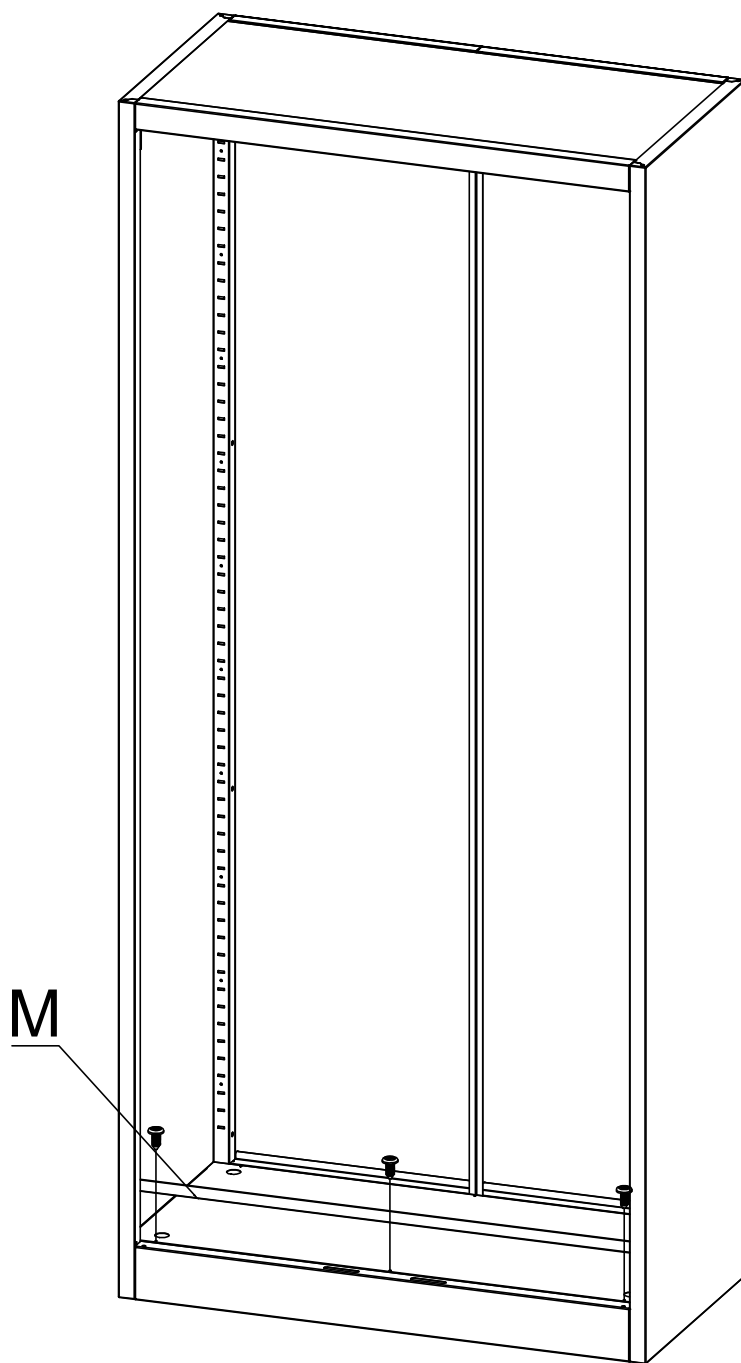
Step 8: Install the top panel H and fix it with screws T



It's easier to fix screws when back panels or side panels are put on the floor

T			8PCS
---	---	---	------

Step 9: Install the bottom face M on the bottom panel with screws T

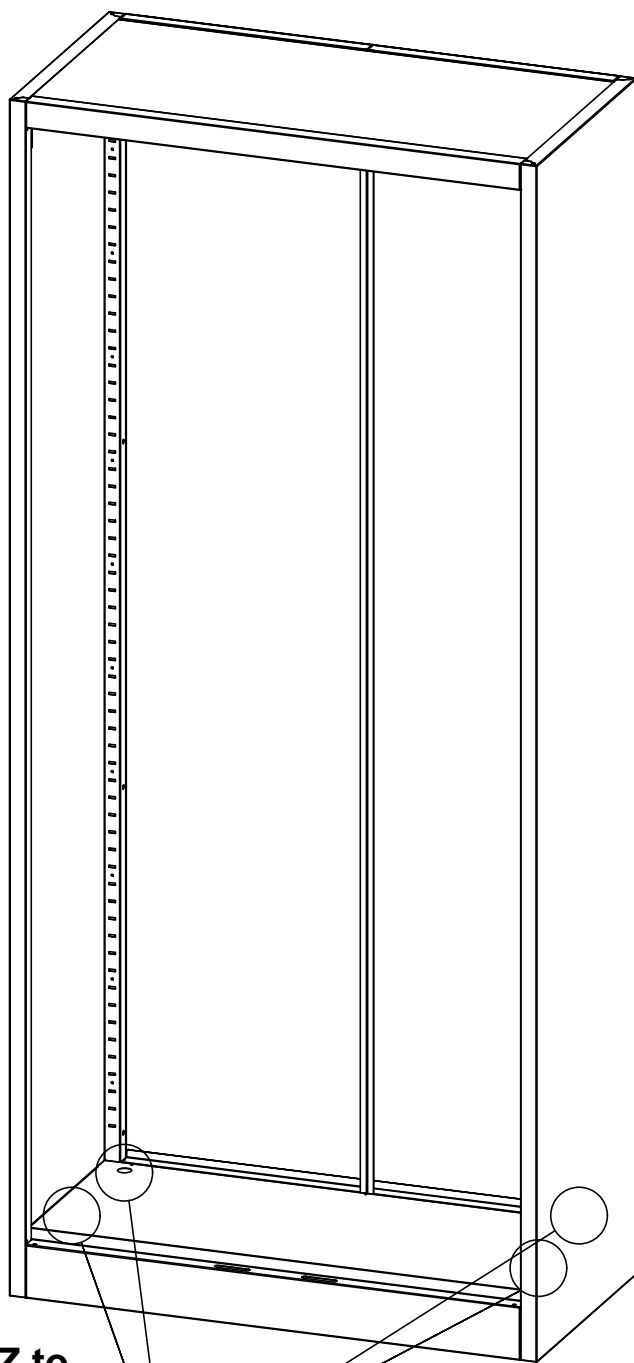


T

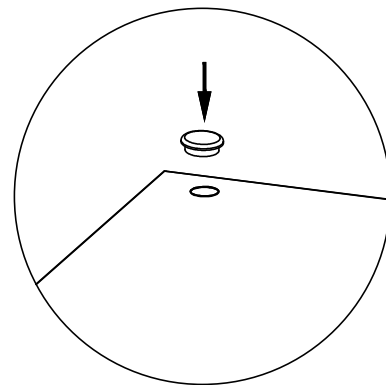
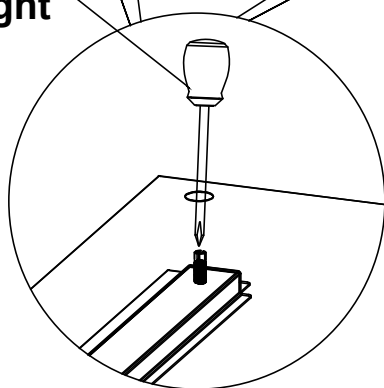



3PCS

Step 10: Attach the 4 caps Y on the holes of the bottom panel

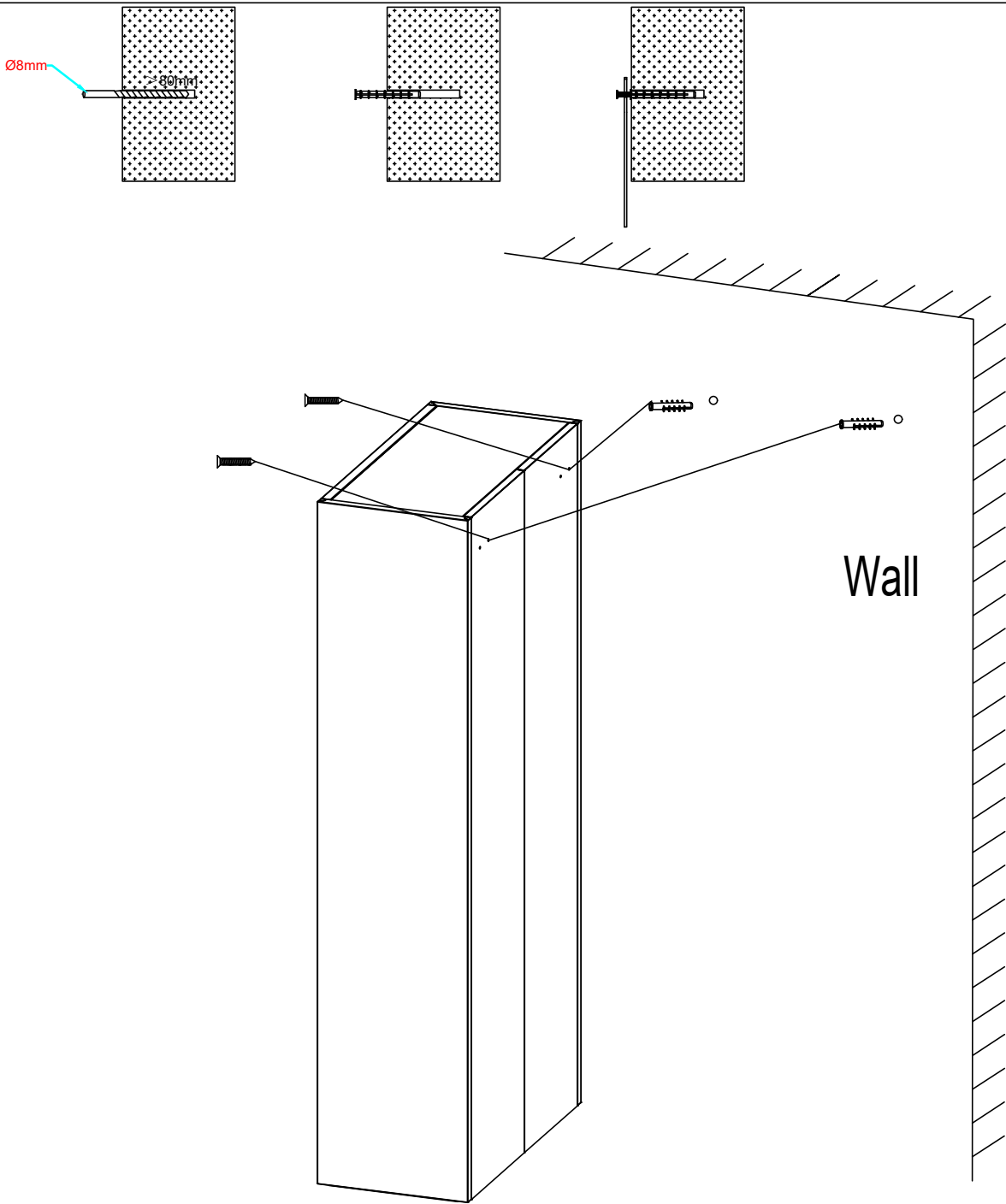


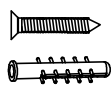
Rotate the feet Z to adjust the height



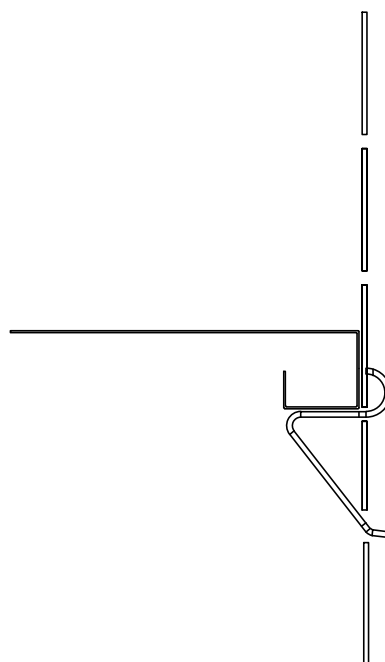
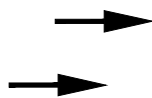
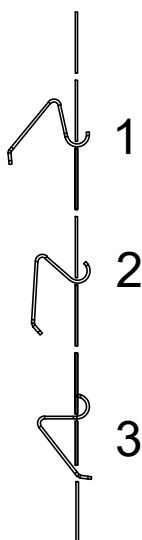
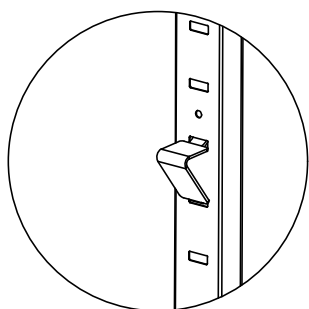
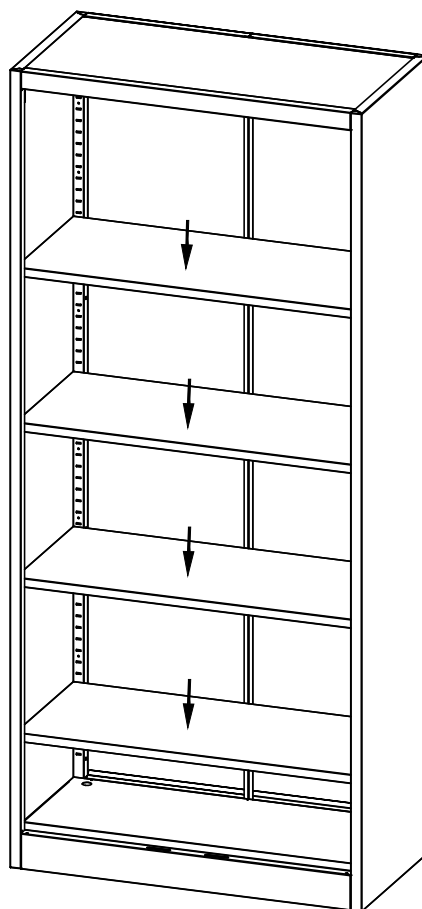
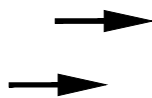
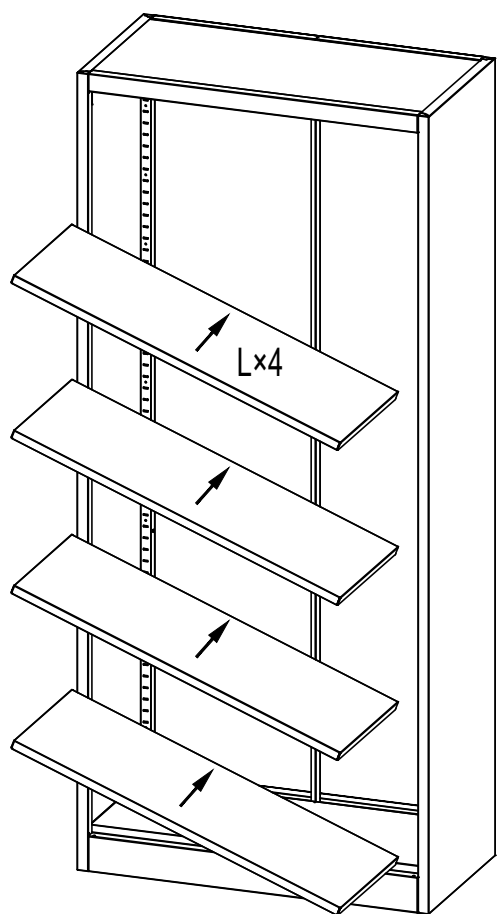
Y		4PCS
---	---	------

Step 11: Fasten the cabinet on the wall to prevent tipping



V		2PCS
---	---	------

Step 12: Hang 16 shelf clasps S at the same level and put the shelves L on them

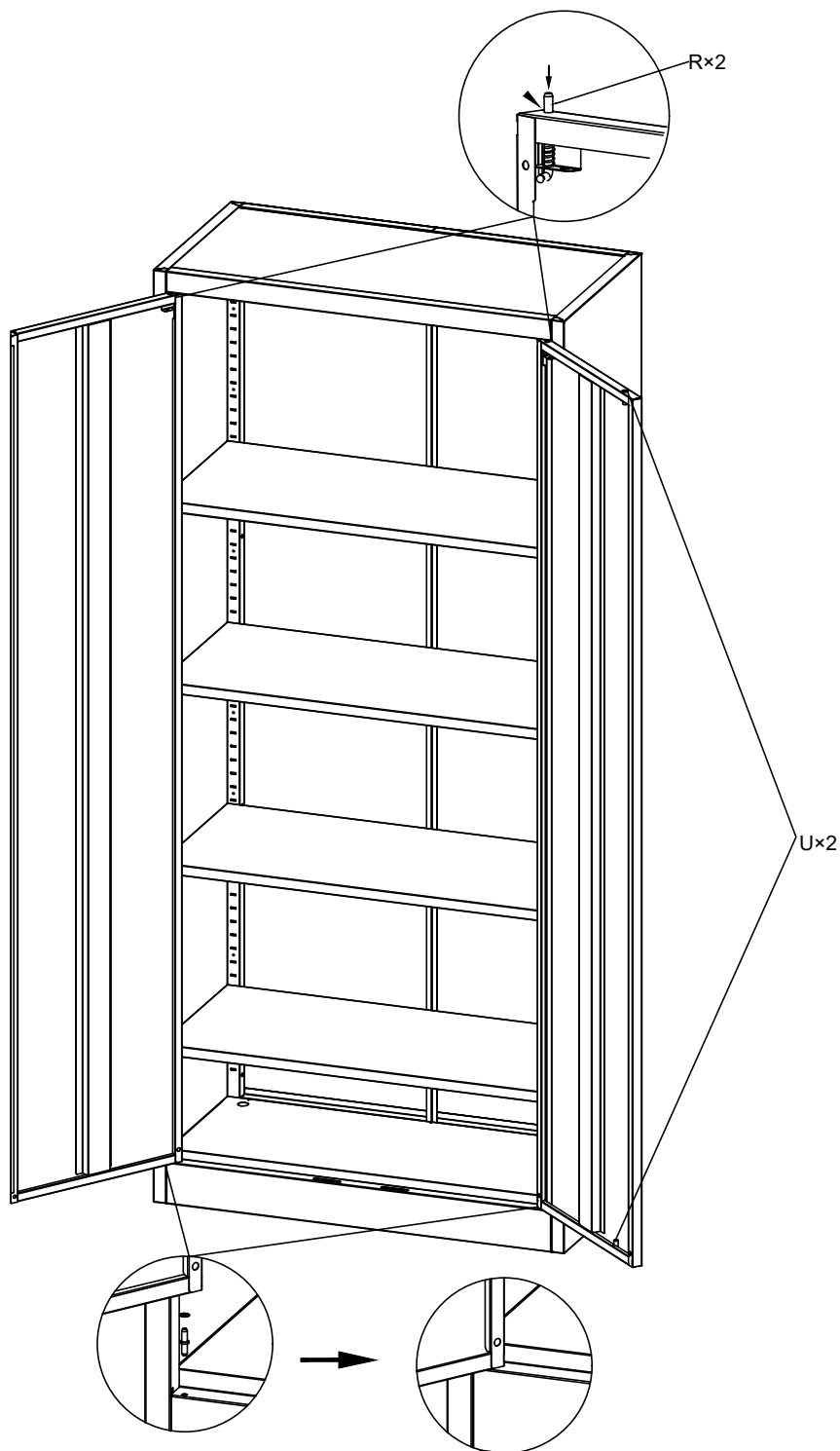


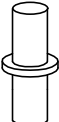

S



16PCS

Step 13: Insert the door pivots W into the holes of the both sides of the bottom corner (shims X can be used to adjust), then insert the doors into the door pivots on the bottom and adjust the springs shaft R on the top



W		2PCS	X		2PCS
---	---	------	---	---	------

