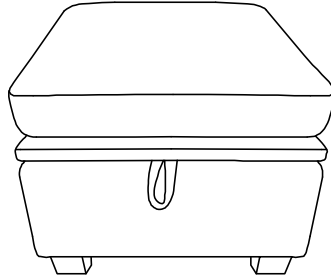


# Assembly Instructions

ITEM NO:F8122/8111



## PARTS LIST

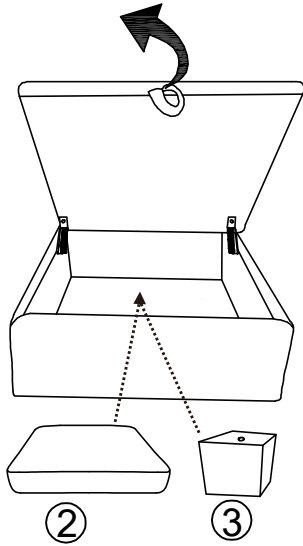
① *1	② *1	③ *4
A line drawing of the assembled box, showing the lid and the latch.	A line drawing of the box without the lid, showing the front and side panels.	A line drawing of a small rectangular part and a square part, likely representing the feet or legs of the box.

## HARDWARE LIST

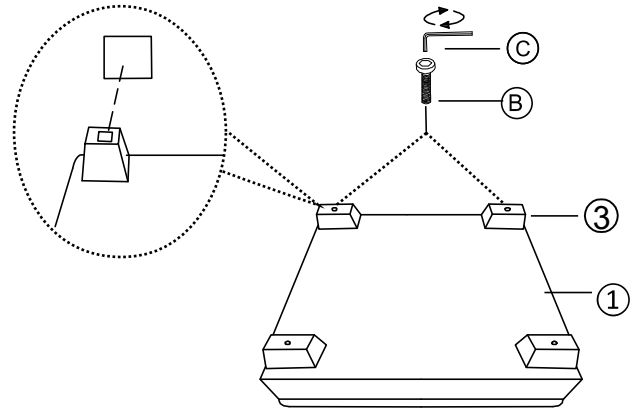
Ⓑ *4	Ⓒ *1	Ⓓ *1
A line drawing of a screw with a hexagonal head and a threaded shaft.	A line drawing of an L-shaped bracket or corner piece.	A line drawing of a small rectangular part, likely a foot or leg.

# Assembly Steps

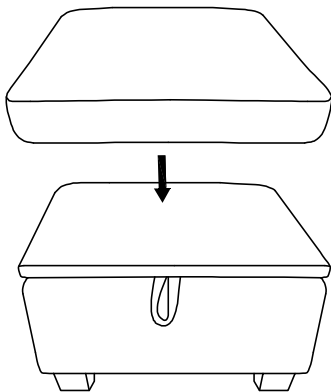
Step 1



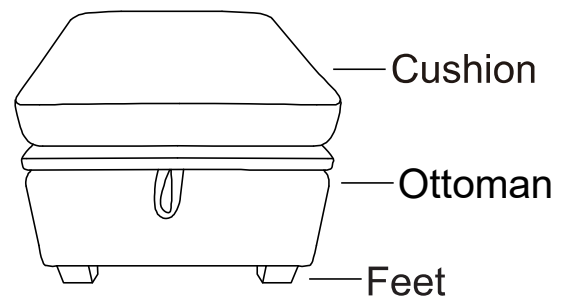
Step 2



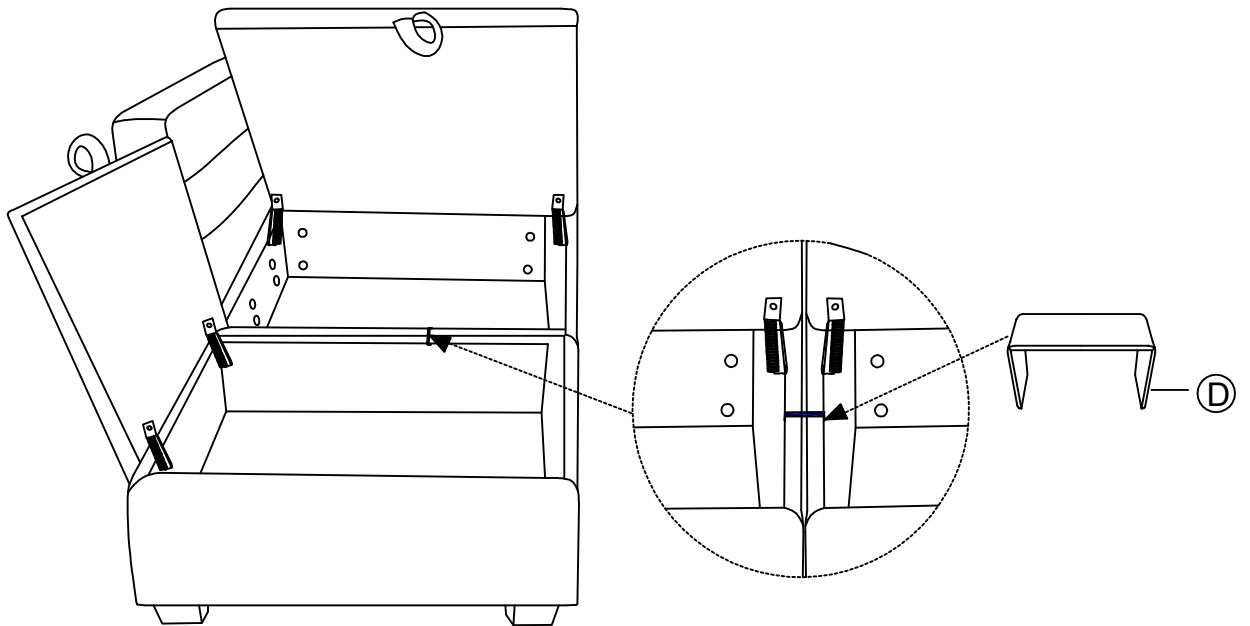
Step 3



Step 4



## Assembly Steps



Fix the assembled sofa together with 1 connectors,  
and then place the seat cushion and backrest on top