
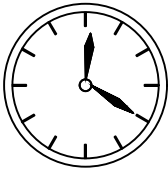

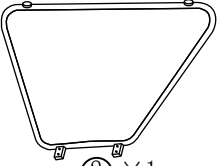
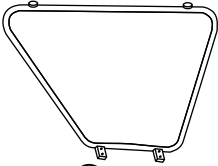

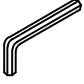






ASSEMBLY INSTRUCTION

		 ① × 1	 ② × 1	 ③ × 1	 $\phi 6 \times 16$ ④ × 8
 5# ⑤ × 1	 M6 × 25 ⑥ × 8	Spart part1  $\phi 6 \times 16$ ④ × 1	Spart part2  M6 × 25 ⑥ × 1	Spart part3  ⑦ × 1	

