

ASSEMBLY INSTRUCTIONS



ASSEMBLY INSTRUCTIONS

ASSEMBLY TIPS:

1. Remove hardware from box and sort by size.
2. Please check to see that all hardware and parts are present prior to start of assembly.
3. Please follow attached instructions in the same sequence as numbered to assure fast & easy assembly.



WARNING!

1. Don't attempt to repair or modify parts that are broken or defective. Please contact the store immediately.
2. This product is for home use only and not intended for commercial establishments.

ASSEMBLY TIME

15 MINUTES

PARTS IDENTIFICATION

A CUSHION



1PC

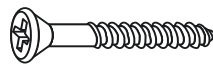
B FOOT



4PCS

HARDWARE IDENTIFICATION

1 SCREW
(8 x 22mm RBW)



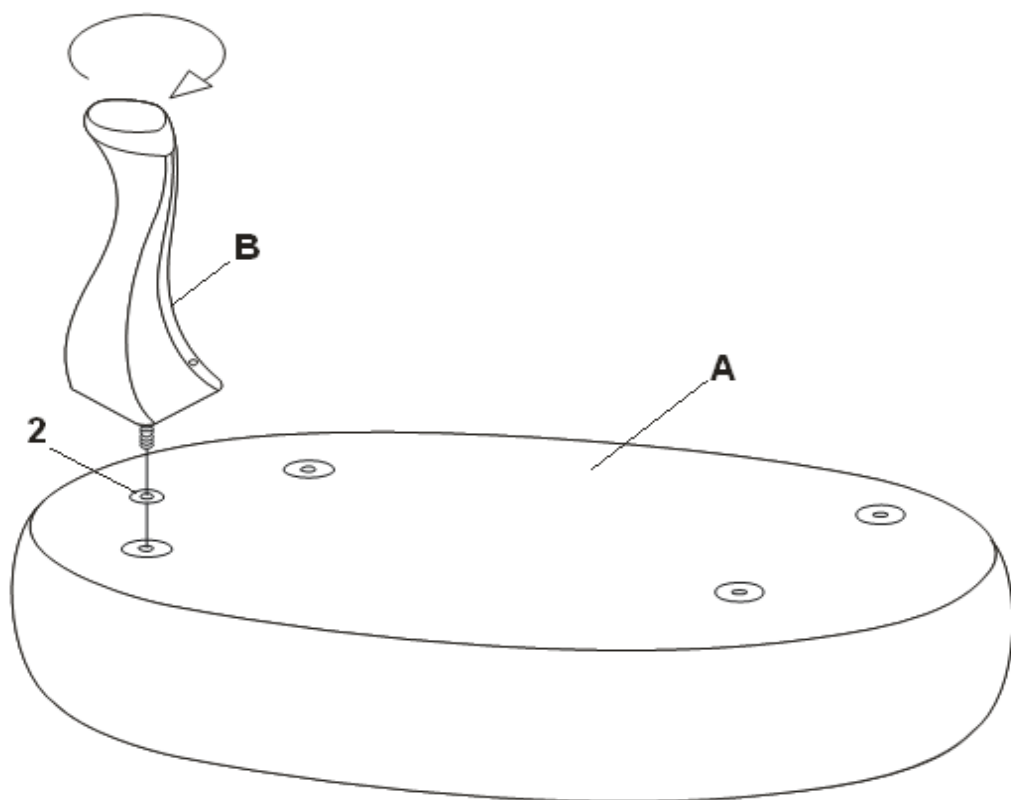
4PCS

2 WASHER
(Ø27mm BLK)

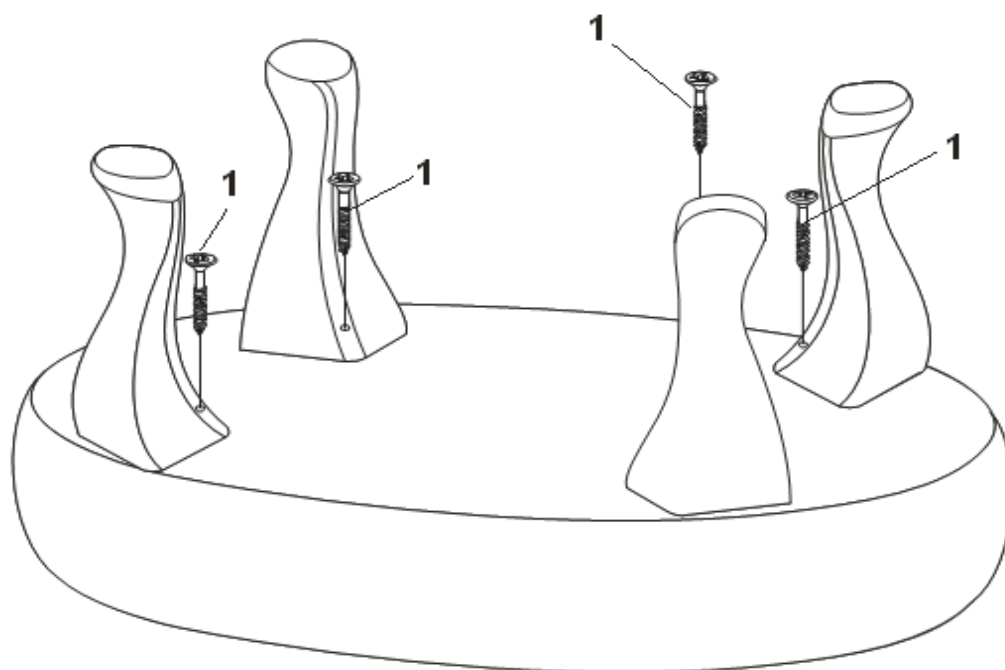


4PCS

ASSEMBLY INSTRUCTIONS
STEP 1



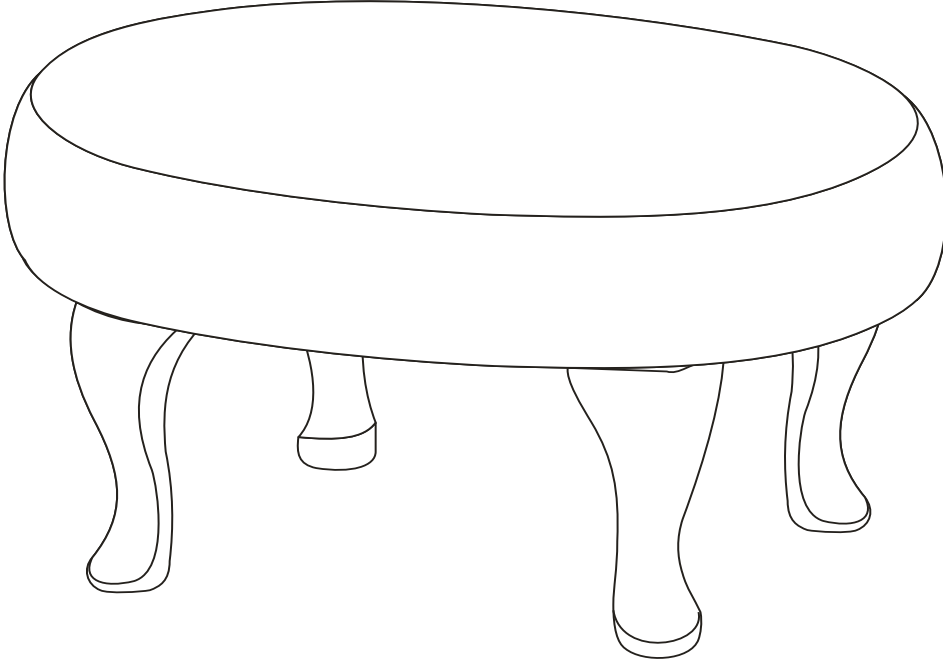
STEP 2



ASSEMBLY INSTRUCTIONS

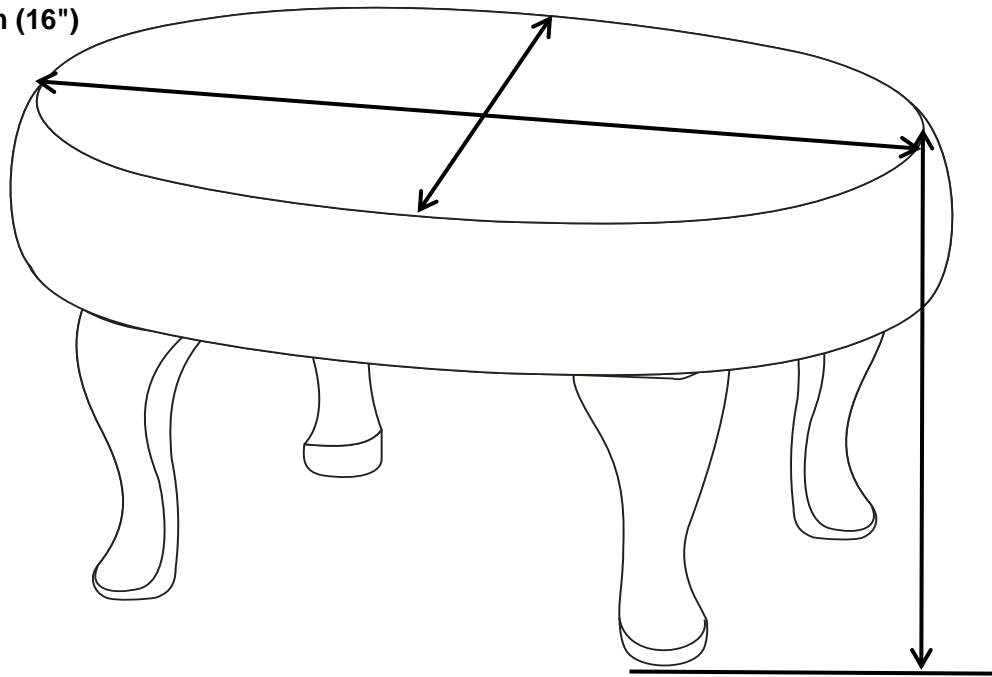
STEP 3

COMPLETE



406mm (16")

304mm (12")



241mm (9.5")