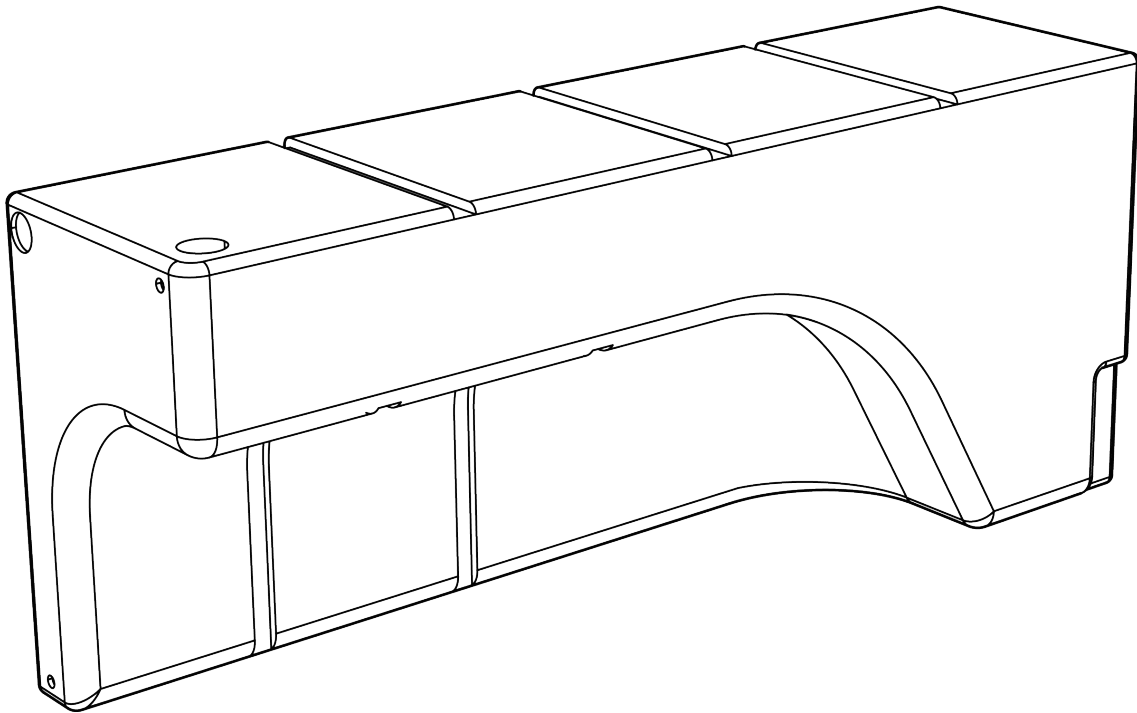


TORVA

NO WALLS, ONLY HORIZONS



BASIC INFORMATION

- NAME: 33 Gallon RV Water Tank
 - Product size: L1225×W320×H508mm
 - Thickness: 5.5±0.5mm (7/32"±0.25")
 - Material: LLDPE (Crafted with Linear Low-Density Polyethylene)
 - Color: White
 - Capacity: 125L, 33 gallons
 - Water Inlet: 3 in total on both sides of the 1-1/2" NPT female thread (one of which is an opening) and 1 on the top
 - Water Outlets: 4 in total on both sides of 1/2" NPT internal thread
- Complies with FDA 21 CFR 177.1520 food contact safety directive

PACK LIST

- 30Gallons Water Tank×1
- Threaded joints×1
- Valves×1
- Water Outlet Joints×1
- Exhaust Joints×1

Tips: Corresponding threads are all 1/2" NPT

INSTALLATION & PLUMBING

- These tanks are designed for non-pressurized use. It is crucial to ensure that the tanks are adequately vented for air to enter and exit during operation.
- When attaching fittings, tighten just until snug. Over-tightening can lead to damage to both the fittings and the tank itself. Please handle with care.
- It is recommended to use plastic NPT male fittings with plastic female NPT fittings to avoid damaging the threads, metal thread fittings can crush the plastic threads.
- Very little, if any, pipe thread tape is needed using too much pipe tape will damage the threads. We do not recommend pipe dope as you can not remove the fitting later, if used be sure to use a food safe brand.

MOUNTING & BRACING

- Tank can be placed on any side.
- Place tank on level surface and brace to prevent tank from moving during transit.
- Tank needs to be adequately supported.
- Do Not hang by ratchet straps, this is too thin and will not adequately support tank.
- Do Not place weight on tank, if you need to stack the tanks you will need a weight bearing shelf between them.

TIPS

- Please clean the water tank prior to installation to remove any potential debris from the manufacturing process.
- All tanks must be braced and secured to prevent any movement of the tank while in transit and to prevent possibility of tank tipping or falling.
- Due to the manufacturing process all the tanks especially the larger in size will have a bowing to the walls, when the tank is filled the tank will expand out removing the inward bow, we recommend laying all tanks on a level surface (this can be angled to help with drainage) and bracing the tanks. For larger tanks, we recommend strengthening all sides with plywood or metal. However, please ensure to leave a 1-inch safety margin on the outside to prevent the container from distorting and potentially damaging adjacent cabinetry when it is filled to capacity. We do not recommend using ratchet straps on the tanks alone as this is a large amount of weight on a thin strip and may cause cutting into the tank. For tanks placed outside it is also recommended to enclose tanks using sheet metal / plywood or some other type of weather proof material to prevent damage from road debris and speed bumps, be sure to check your clearance before ordering.
- Brackets or Strap Systems Due to the variety of installations we do not carry brackets or bracing systems.

THREE YEAR LIMITED WARRANTY

TORVA warrants to the original consumer purchaser all parts of this product to be free from defects in material and workmanship during normal use, for (3) year from date of purchase. A replacement for any defective part will be supplied free of charge for installation by you. Defects or damage caused by the use of other than genuine TORVA parts are not covered by this warranty. This warranty shall be effective from the date of purchase as shown on the purchaser's receipt. Some states do not allow limitations on how long an implied warranty lasts, so the above limitation may not apply to you.

AFTER-SALES SERVICE

For any inquiries, technical support, or warranty claims, do not hesitate to reach out to our dedicated customer service team. We appreciate your decision to choose TORVA and hope that this manual effectively guides you in using and maintaining your product. Thank you for your trust and happy time!

