



Designed for Fun, Built to Last®

BLUERIDGE 4-FT. FOOSBALL TABLE ASSEMBLY INSTRUCTIONS



**Please Do Not Hesitate to
Contact Our Consumer Hotline
at 800-759-0977
with Any Questions That May
Arise During Assembly or
Use of This Product!**

THANK YOU!

Thank you for purchasing this product. We work around the clock and around the globe to ensure that our products maintain the highest possible quality. However, in the rare case of issues during assembly or use of this product, please contact our Consumer Hotline at **800-759-0977** for immediate assistance before contacting your retailer. Please read the warranty information at the back of these assembly instructions for further details.

ASSEMBLY TIPS

IMPORTANT! PLEASE READ THESE ASSEMBLY INSTRUCTIONS IN ENTIRETY BEFORE ASSEMBLING YOUR PRODUCT.

1. Find a clean, level surface to begin the assembly of your game table. We recommend that two adults work together to assemble this game. You may want to carefully cut or tear the four corners of the box so that the bottom of the box can be used as your work surface.
2. Remove all of the contents from box and verify that you have all of the parts shown on the Parts List before you begin assembly. **Note: Some parts may be pre-installed or pre-assembled.**
3. Some figures or drawings may not look exactly like product.
4. ***When installing parts that have more than one screw or bolt, hand tighten all screws or bolts in place before final tightening with screwdriver or wrench.***
5. Electric screwdrivers may be helpful during assembly; however, please set a **low torque** and use extreme caution because screws may be stripped or overtightened, resulting in damaged parts, if the electric screwdriver's torque is set too high.

WARNINGS!

READ AND FOLLOW ALL ASSEMBLY, OPERATION AND SAFETY INSTRUCTIONS CAREFULLY.

**CHOKER HAZARD - THIS ITEM MAY CONTAIN SMALL BALLS AND PARTS
NOT SUITABLE FOR CHILDREN UNDER 3 YEARS OF AGE.**

CARE AND USE


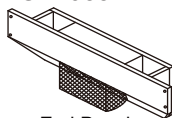


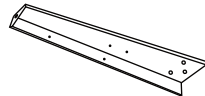
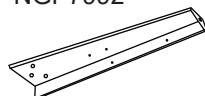
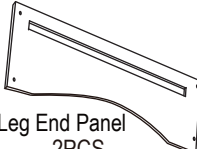






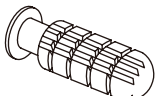
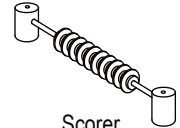


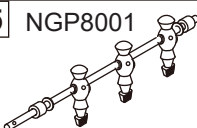

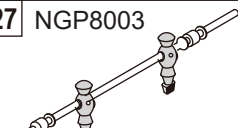
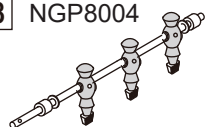
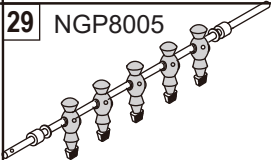
1. This product is intended for **INDOOR** use **ONLY**.
2. Do **NOT** sit on table, or drag table when moving, as this will damage the legs. Do **NOT** lift table by rods.
4. Keep table covered when not in use. Remove dust on play surface and cabinet with vacuum or wipe with a clean, soft cloth.
5. Occasionally wipe the rods with a clean, soft cloth and make sure the players are tight.
6. Do **NOT** spin rods too aggressively, as this may cause damage. We recommend the use of 100% silicon to periodically lubricate the bushings, but from the outside of the table so you don't drip on playfield.

BLUERIDGE 4-FT. FOOSBALL TABLE - BG50381



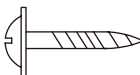
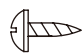
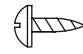

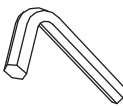
Parts List

Illustrations Not to Scale

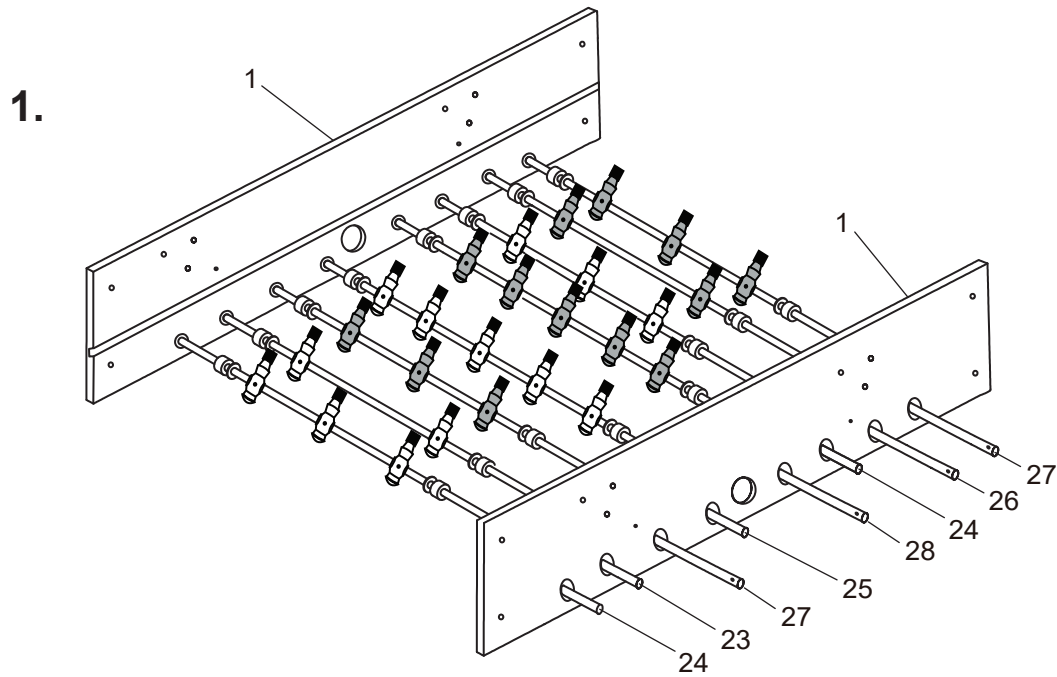
PARTS

1 NGP7987  Side Panel 2PCS	2 NGP7988  End Panel 2PCS	3 NGP7989  Playfield 1PC	4 NGP7990  Field Support 2PCS	5 NGP7991  Left Leg 2PCS
6 NGP7992  Right Leg 2PCS	7 NGP7993-A  Leg End Panel 2PCS	8 NGP7993-B  Leg End Panel - B 2PCS	9 NGP7994  Leg Side Panel 2PCS	17 NGP7996  Leg Leveler 4PCS
18 NGP7997  Left Corner 2PCS	19 NGP7998  Right Corner 2PCS	20 NGP5514  End Cap 8PCS	21 NGP5507  Handle 8PCS	22 NGP7999  Scorer 2PCS
23 NGP5102  Soccer Ball 2PCS	24 NGP8000  Home 2-man Rod 1PC	25 NGP8001  Home 3-man Rod 2PCS	26 NGP8002  Home 5-man Rod 1PC	27 NGP8003  Visit 2-man Rod 1PC
28 NGP8004  Visit 3-man Rod 2PCS	29 NGP8005  Visit 5-man Rod 1PC			

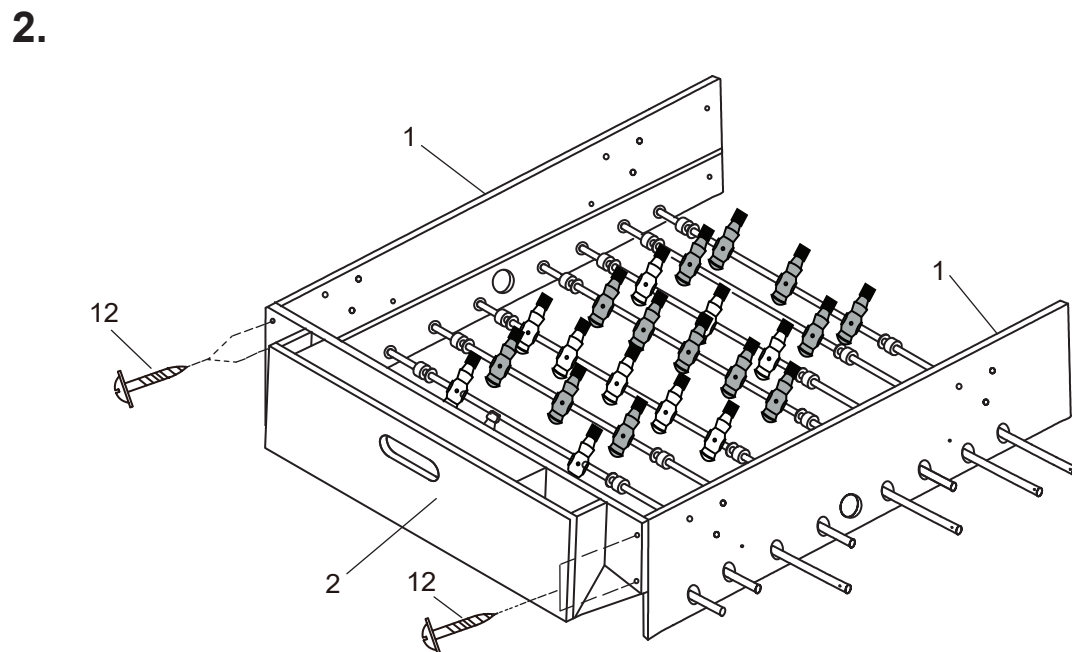
HARDWARE PACK - NGP7995

10 NGP7995  Bolt 1/4"X1-1/4" 12PCS	11 NGP7995  Washer 1/4" 12PCS	12 NGP7995  Round Head Screw 5/32"X1-3/4" 12PCS	13 NGP7995  Round Head Screw 5/32"X3/4" 16PCS	14 NGP7995  Round Head Screw 5/32"X1/2" 8PCS
15 NGP7995  Flat Head Screw 5/32"X1-3/4" 4PCS	16 NGP7995  Allen Wrench 1PC			

ASSEMBLY INSTRUCTIONS

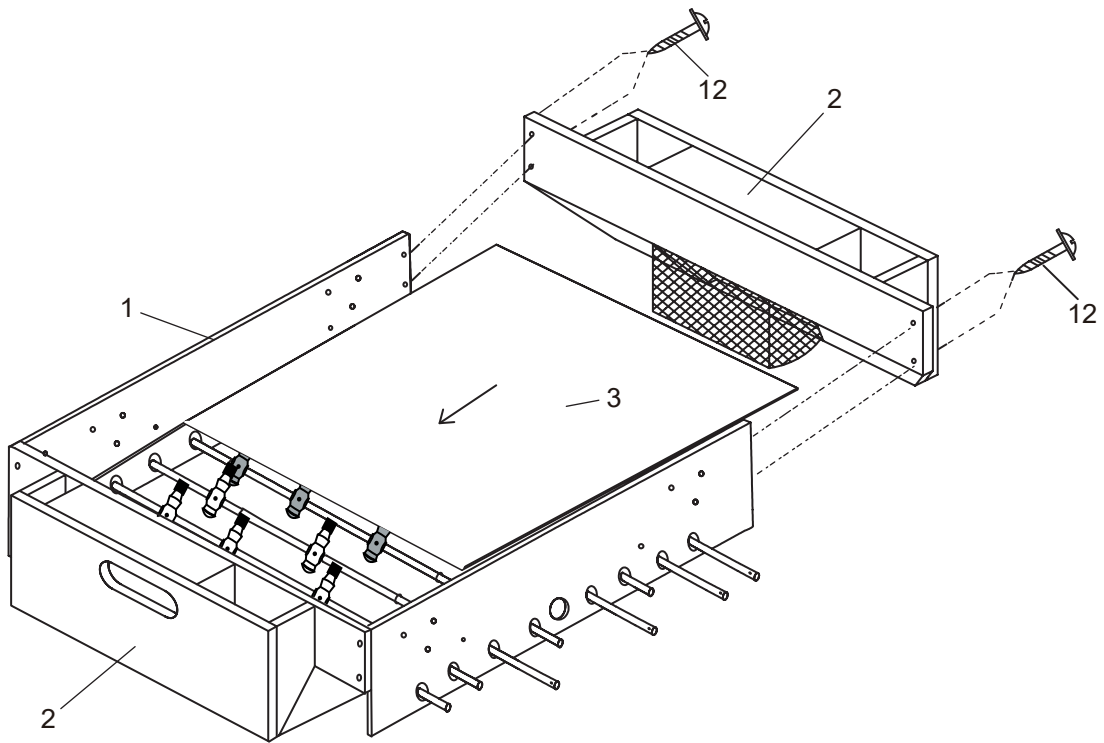


NOTE: Each team should face the opposite goal and all be the same color. See diagram above for rod and player positions.

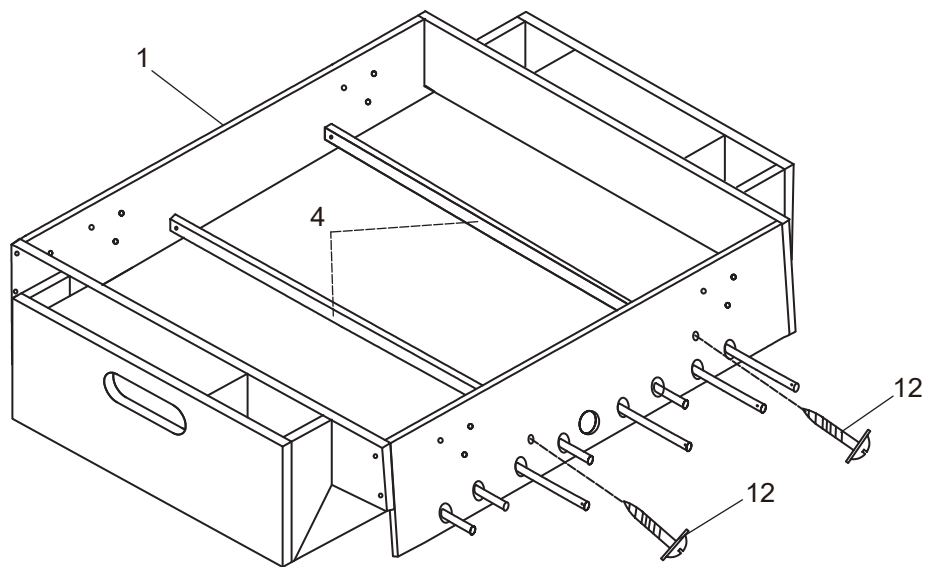


ASSEMBLY INSTRUCTIONS (CONT.)

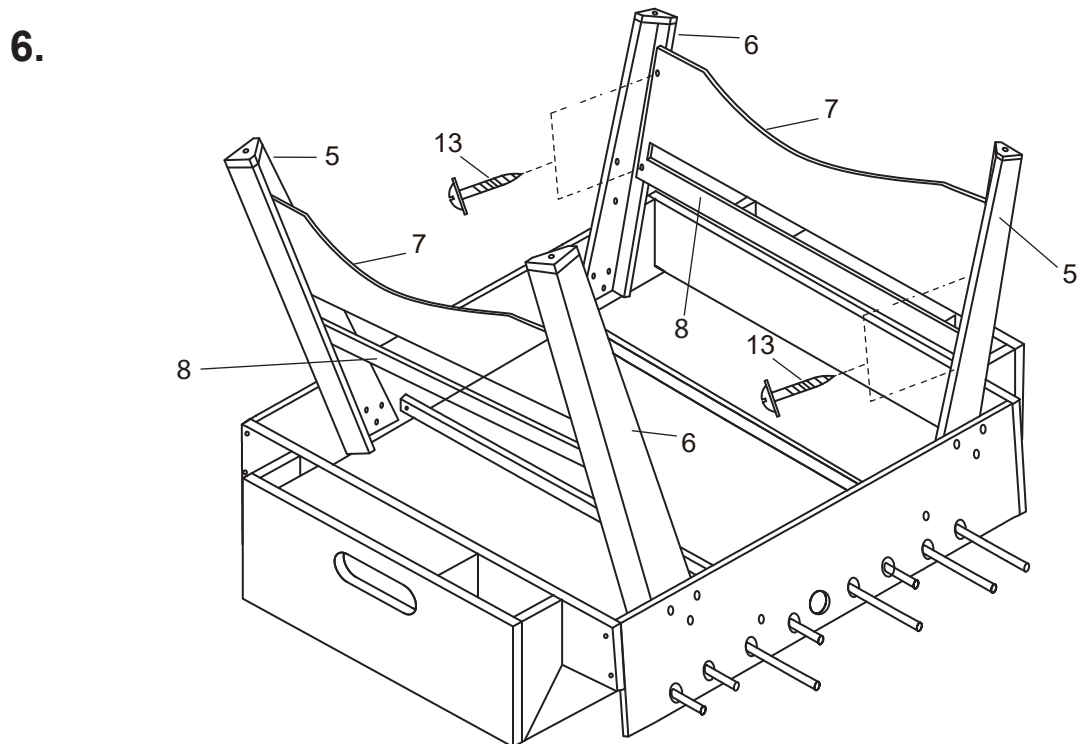
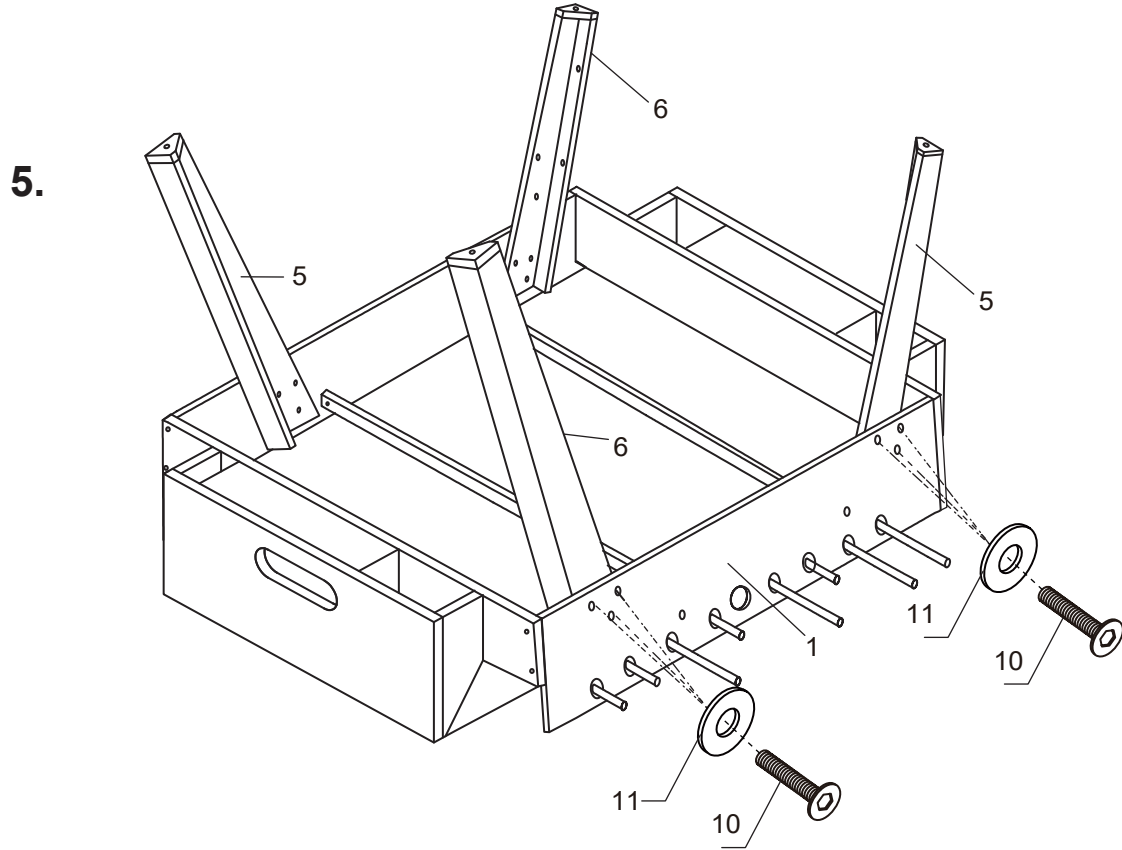
3.



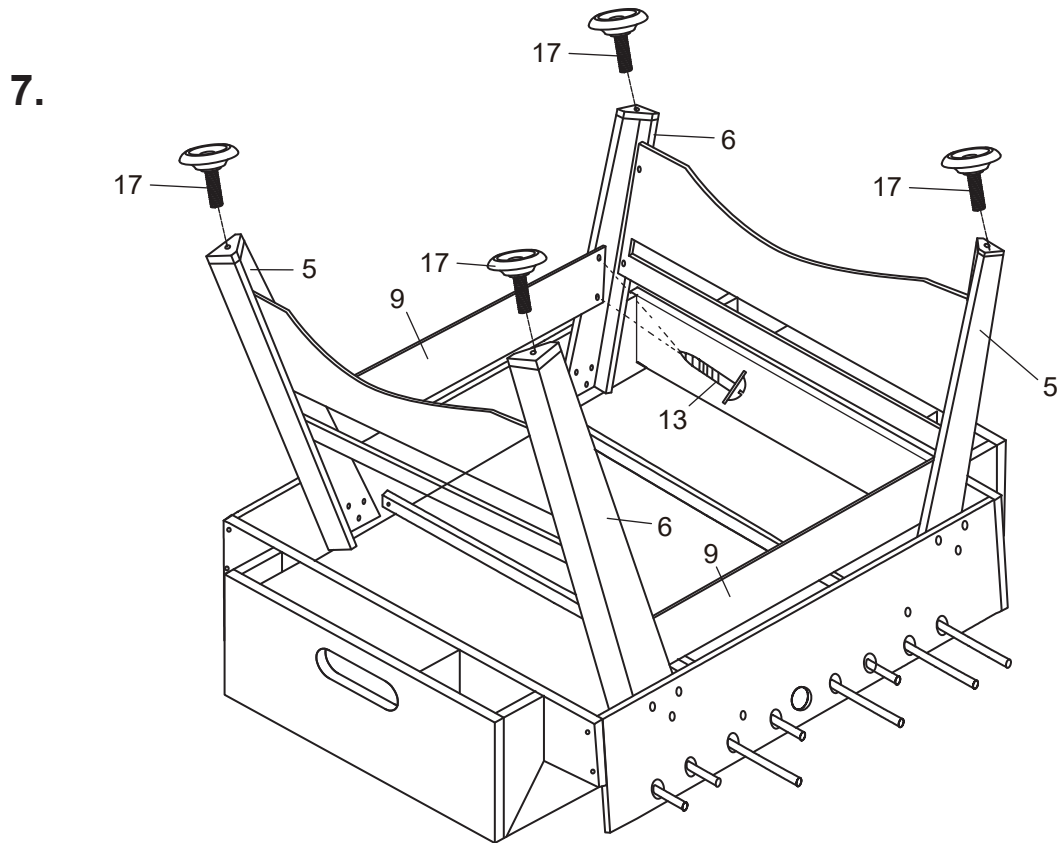
4.



ASSEMBLY INSTRUCTIONS (CONT.)



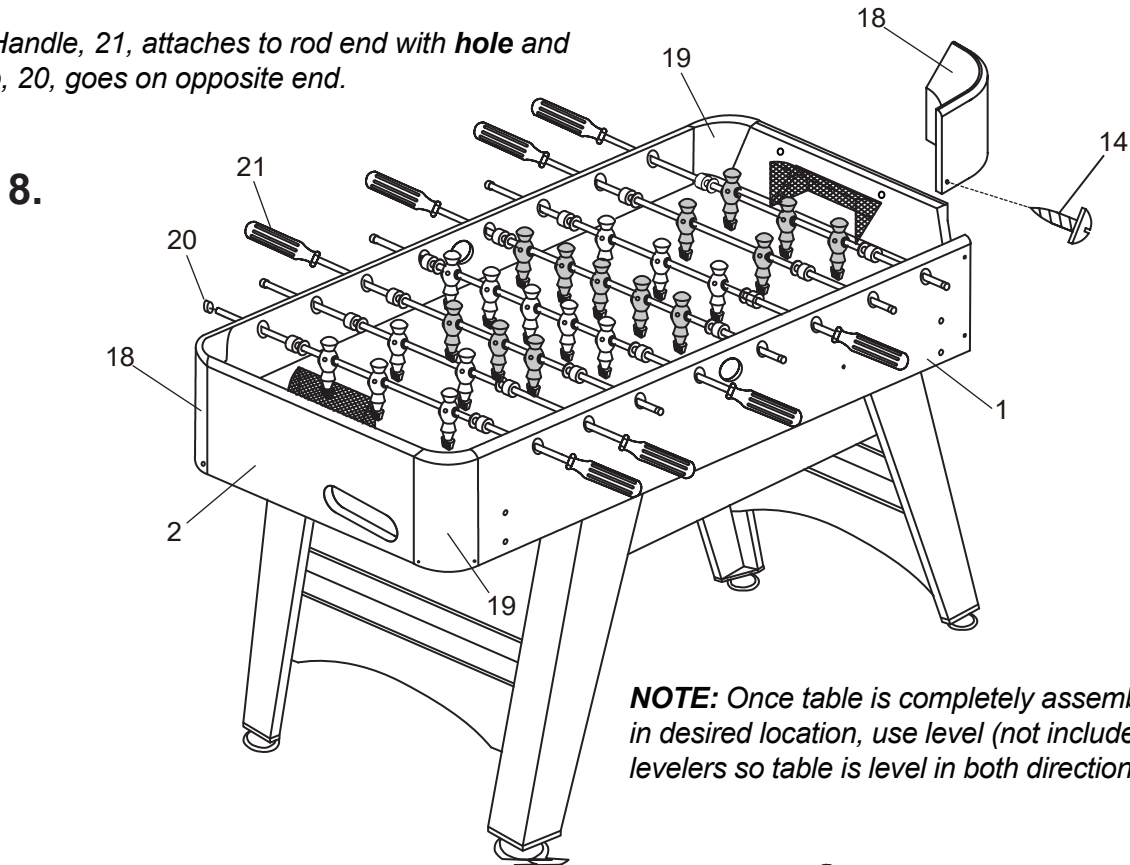
ASSEMBLY INSTRUCTIONS (CONT.)



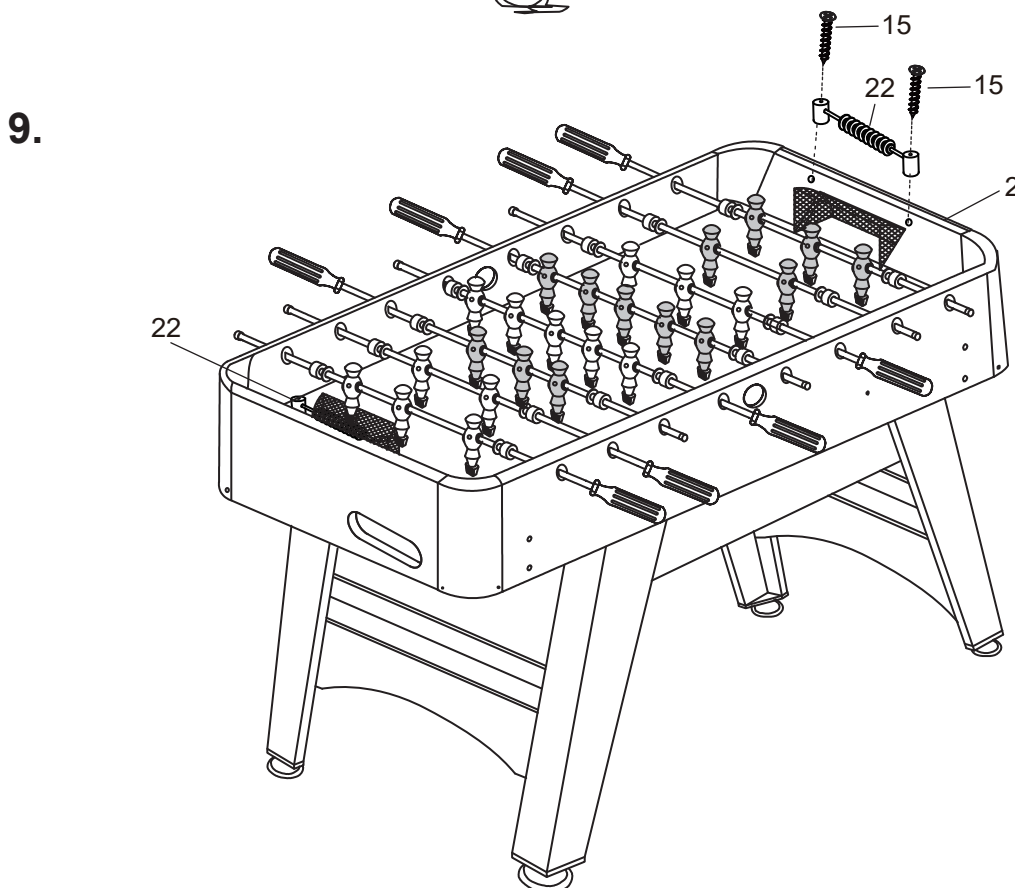
NOTE: Two adults are required to turn table upright. Turn over using main table body only, NOT legs, and place on all four feet on ground at same time.

ASSEMBLY INSTRUCTIONS (CONT.)

NOTE: Handle, 21, attaches to rod end with **hole** and End Cap, 20, goes on opposite end.



NOTE: Once table is completely assembled and placed in desired location, use level (not included) to adjust leg levelers so table is level in both directions.



180-DAY LIMITED WARRANTY

This product is warranted to the original purchaser to be free from defects in material or workmanship for a period of 180 days from the date of the original retail purchase.

This warranty does not cover defects or damage due to improper installation, alteration, accident or any other event beyond the control of the manufacturer. Defects or damage resulting from misuse, abuse or negligence will void this warranty. This warranty does not cover scratching or damage that may result from normal usage.

This product is not intended for institutional or commercial use; the manufacturer does not assume any liability for such use. Institutional or commercial use will void this warranty.

This warranty is nontransferable and is expressly limited to the repair or replacement of the defective product. During the warranty period, the manufacturer shall repair or replace defective parts at no cost to the purchaser. Shipping charges and insurance are not covered and are the responsibility of the purchaser. Labor charges and related expenses for removal, installation or replacement of the product or components are not covered under this warranty.

The manufacturer reserves the right to make substitutions to warranty claims if parts are unavailable or obsolete.

The manufacturer shall not be liable for loss of use of the product or other consequential or incidental costs, expenses or damages incurred by the consumer of any other use. The user assumes all risk of injury resulting from the use of this product.

This warranty is expressly in lieu of all other warranties, expressed or implied, including warranties of merchantability or fitness for use to the extent permitted by Federal or state law. Neither the manufacturer nor any of its representatives assumes any other liability in connection with this product.

All warranty claims must be made through the retailer where the product was originally purchased. A purchase receipt or other proof of date of purchase will be required to process all warranty claims. The model number and part numbers found within the assembly instructions will be required when submitting any parts requests or warranty claims.

For further warranty information or inquiries, please call 800-759-0977