

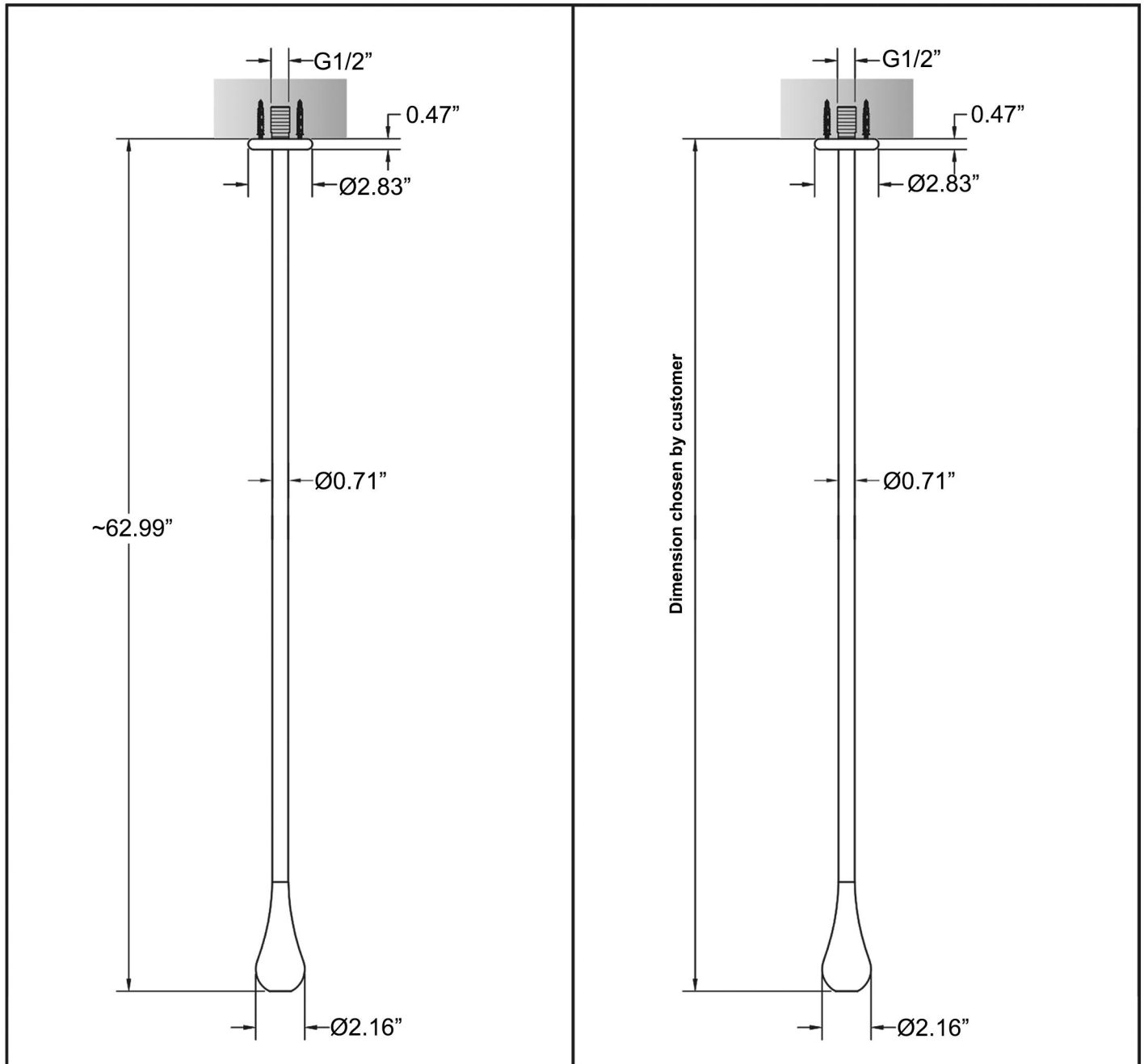
# User's Manual





# INSTALLATION METHOD OF DROPLET NOZZLE

Measures in inch



## **Before installation and setting to work**

**Attention!** The feeding pipes have to be rinsed thoroughly before the installation of the mixer, so that no shavings, welding or hemp residual or other dirt can be found in the pipes. Foreign bodies can enter the mixer through the rinsed pipes or the general water plant and could damage the washers/ring washers. So filters should be installed also on the general system.

Before the setting to work, unscrew the aerator and rinse it very well.

## **TECHNICAL DATA**

- Minimum working pressure 0,5 bar
- Maximum working pressure 5 bar
- Recommended working pressure 3 bar (in case of water pressure higher than 5 bar it is recommended to install pressure reducers)

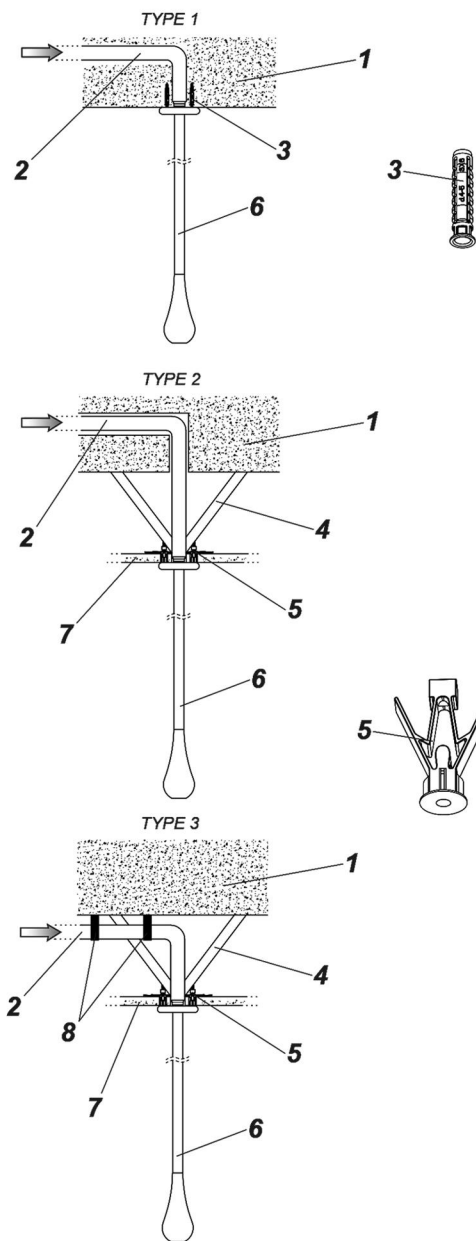
## **Types of installation:**

Type 1 - Installation with ceiling concrete or pre-perforated brick fastening.

Type 2 - Installation with suspended ceiling fastening with supply inside the masonry (rigid supports not supplied).

Type 3 - Installation with suspended ceiling fastening with supply outside the masonry (rigid supports not supplied).

# INSTALLATION METHOD OF DROPLET NOZZLE



## LEGEND:

- 1 - Concrete ceiling/pre-perforated brick
- 2 - Supply pipe
- 3 - Fastening dowels for Concrete ceiling
- 4 - Rigid supports for supply pipe anchorage (not equipped with supply)
- 5 - Fastening dowels for plasterboard ceiling
- 6 - Ceiling spout
- 7 - False ceiling
- 8 - Ring supports for non-embedded pipes (not equipped with supply)

### TYPE 1 - instructions for ceiling installation

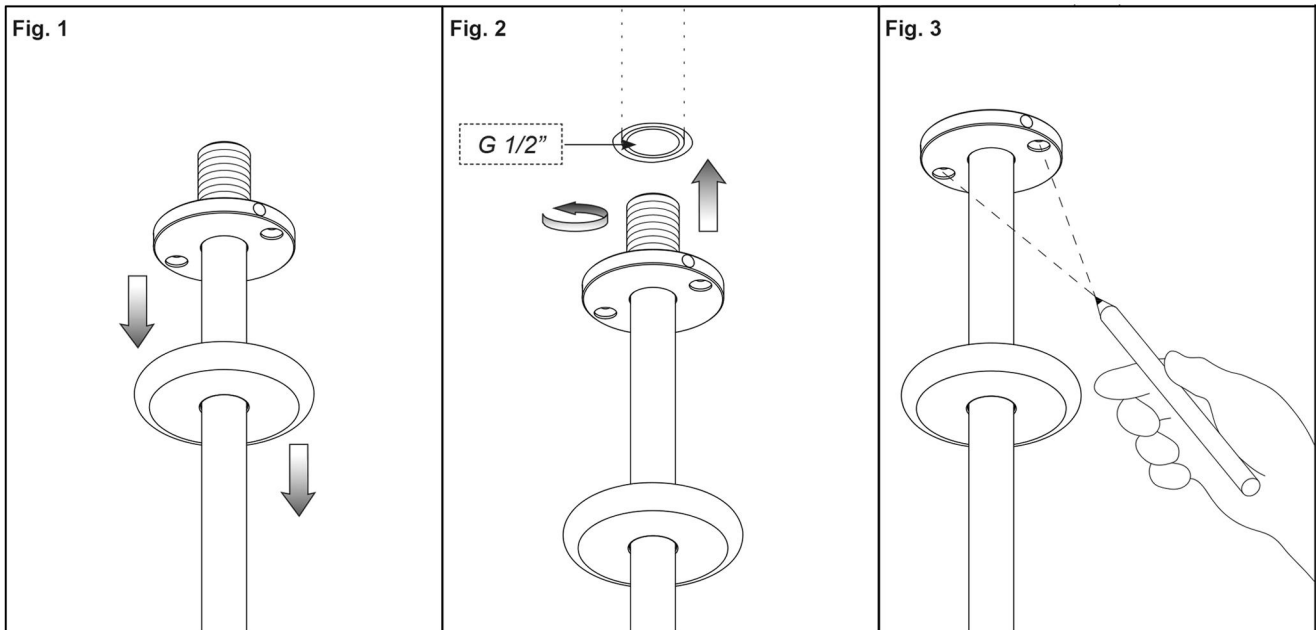
In order to guarantee the solidity of the plant after the ceiling installation of the spout, the feeding tube should be fixed tightly. Take particular care during the boring operations in order to avoid damages to the tube. This would damage both the tightness and the solidity of the plant. Use the fixing kit for brick walls in order to fix the spout.

### TYPE 2 - instructions for the installation with false ceiling and built-in piping

In case of a false ceiling with built-in piping on the ceiling, the tube should be fixed as shown in the figure with rigid supports (not equipped with supply) in order to guarantee solidity to the plant. Use the fixing kit for plasterboard walls in order to fix the spout.

### TYPE 3 - instructions for the installation with false ceiling and outer piping

In case of a false ceiling with outer piping and next to the ceiling, the tube should be fixed as shown in the figure with ring supports (not equipped with supply) in order to guarantee solidity to the plant. Use the fixing kit for plasterboard walls in order to fix the spout.



## Installation

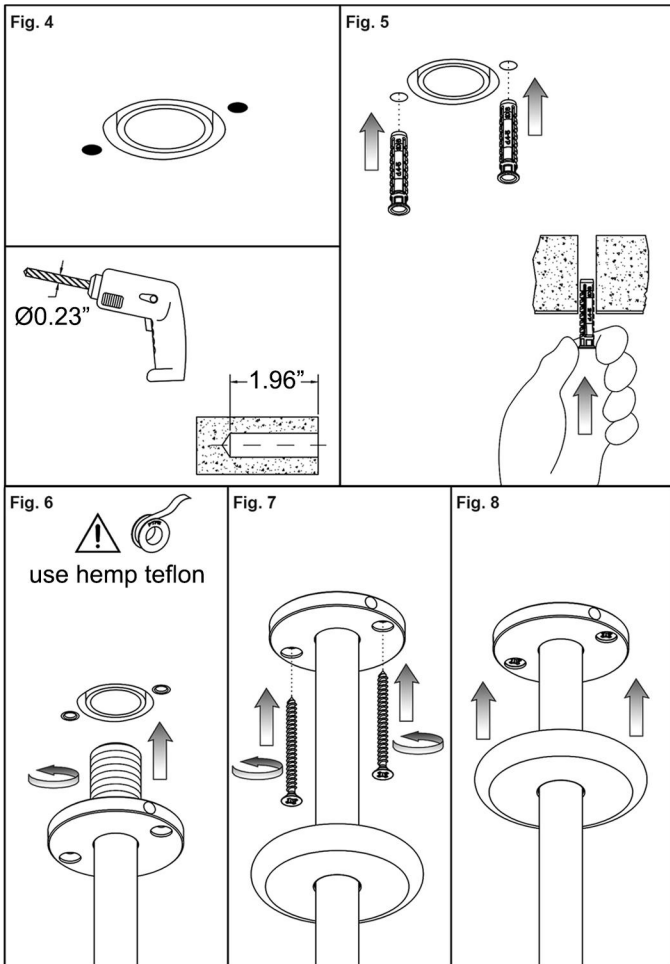
Fig. 1 - Let the round gasket slide on the ceiling spout to discover the fastening plate.

Fig. 2 - Screw the ceiling mouth to the pipe to which it will be connected, approach with the fastening plate as much as possible to the surface of the ceiling /suspended ceiling.

Fig. 3 - Mark the position of the holes for plugs fastening.

# INSTALLATION METHOD OF DROPLET NOZZLE

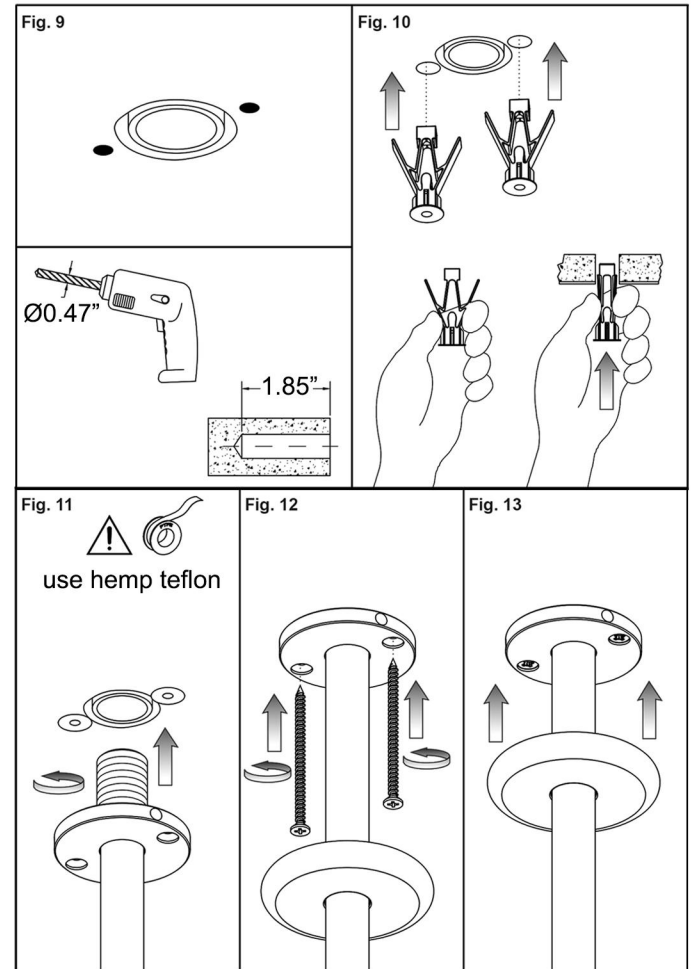
## Concrete ceiling



### Installation (Concrete ceiling)

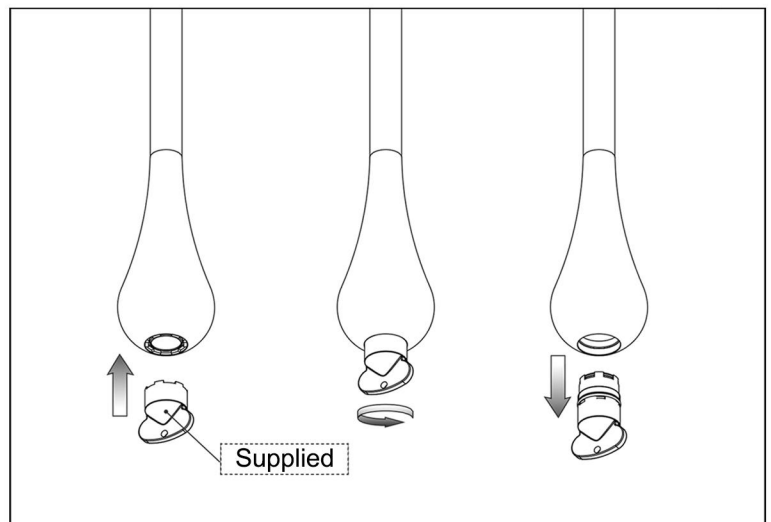
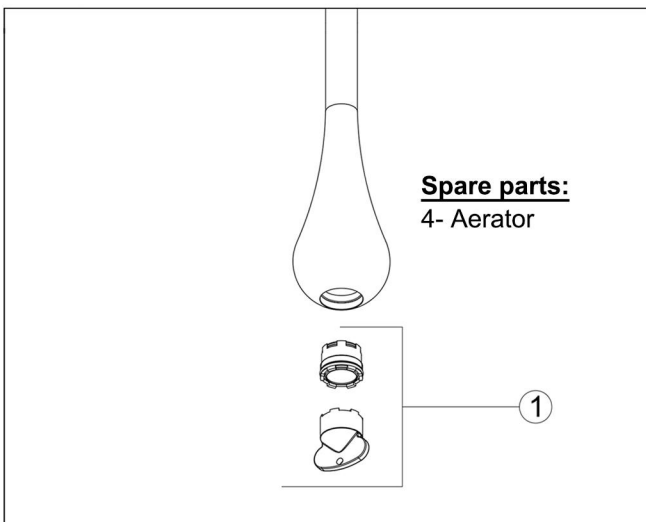
- Remove the spout from the pipe without damaging it.
- Fig. 4 - Pierce with a Ø6mm bit in the previously indicated points.
- Fig. 5 - Introduce plugs as indicated.
- Fig. 6 - Screw the mouth to the supply pipe approaching as much as possible to the ceiling with the fastening plate and make holes coincide with plugs.
- Fig. 7 - Fasten firmly the mouth to the ceiling with the screws supplied so that the anchorage is effective.
- Fig. 8 - Let the finish rosette slide up to the ceiling.

## Plasterboard ceiling



### Installation (Plasterboard ceiling)

- Remove the spout from the pipe without damaging it.
- Fig. 9 - Pierce with a Ø12mm bit in the previously indicated points.
- Fig. 10 - Introduce plugs as indicated.
- Fig. 11 - Screw the mouth to the supply pipe approaching as much as possible to the suspended ceiling with the fastening plate and make holes coincide with plugs.
- Fig. 12 - Fasten firmly the mouth to the ceiling with the screws supplied so that the anchorage is effective.
- Fig. 13 - Let the finish rosette slide up to the ceiling.

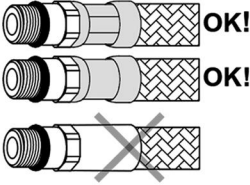

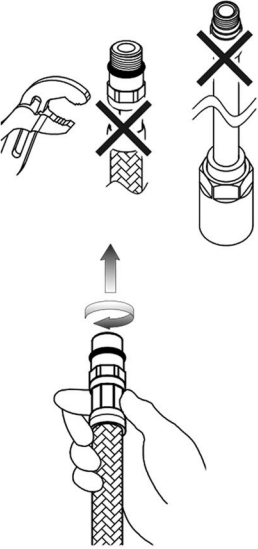
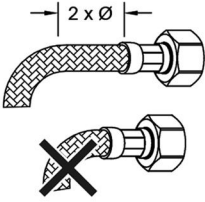
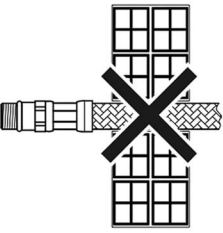
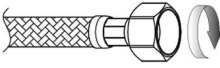




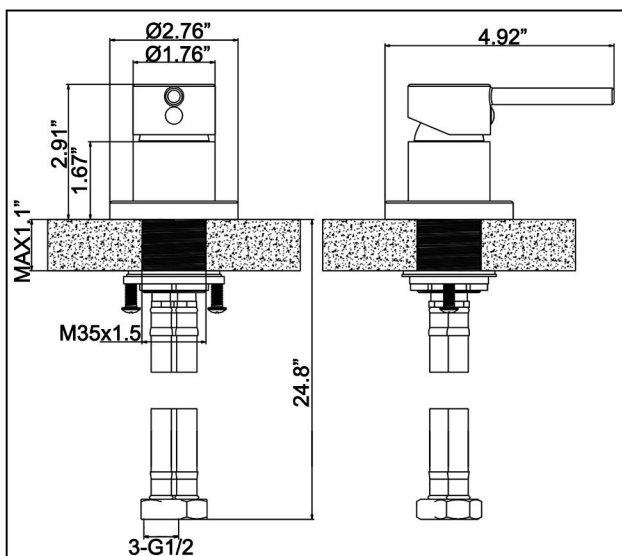
### AERATOR CLEANING / REPLACING

Before carrying out this operation make sure that water supply is turned off. If the supply is not fluid unscrew the aerator using the wrench supplied and remove it from its seat. If the aerator is clogged just rinse it with running water, without using detergents. If it is damaged just replace it and assemble everything in the opposite sequence.

# INSTALLATION METHOD OF WATER DROP SWITCH

- Respecting this indications, will maintain the warranty rights, ensures the declared properties of the products and warrant the complete reliability.

	<p>- Before assembling the hose, please check the appropriate crimping of both sides of the hoses.</p>		<p>- Prolonged contact with any substance, even scarcely aggressive, can cause external braid damage and subsequent flexible burst.</p>
	<p>- Don't tighten by tools.</p> <p>- Hand-tighten O-ring seal connectors until feeling a mechanical rest.</p>		<p>- Before bending the hose please consider a straight part of 2 times the external diameter.</p> <p>- Maintain minimum bend radius (DN= nominal internal diameter):</p> <p>DN6 = Ø0.98"          DN8 = Ø1.18"          DN10 = Ø1.37"          DN13 = Ø1.77"</p>
	<p>- Don't set the hose in the wall.</p>		<p>- Hand-tighten connectors with gasket seal (nuts) then apply 1/4 turn using an appropriate wrench.</p>
	<p>- Tighten the hose without any twist or tension.</p>		<p>- Do not expose the hose to lateral stress nor overtight by any tool (ex. during the installation of the faucet stud or the drain pop-up lever).</p>



## **Before installation and setting to work**

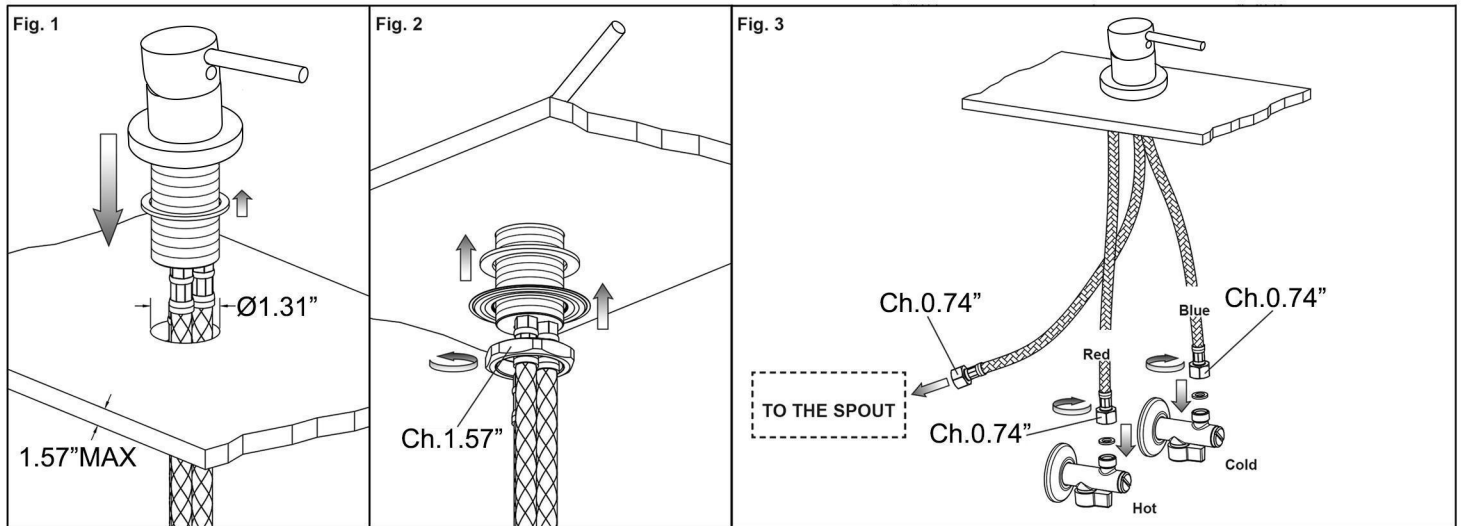
**Attention!** The feeding pipes have to be rinsed thoroughly before the installation of the mixer, so that no shavings, welding or hemp residual or other dirt can be found in the pipes. Foreign bodies can enter the mixer through the rinsed pipes or the general water plant and could damage the washers/ring washers. In order to guarantee a long use of the product, install the angle valve equipped with filter and clean them regularly.

## **TECHNICAL DATA**

- Minimum working pressure 0,5 bar
  - Maximum working pressure 5 bar
  - Recommended working pressure 3 bar
- (in case of water pressure higher than 5 bar it is recommended to install pressure reducers)

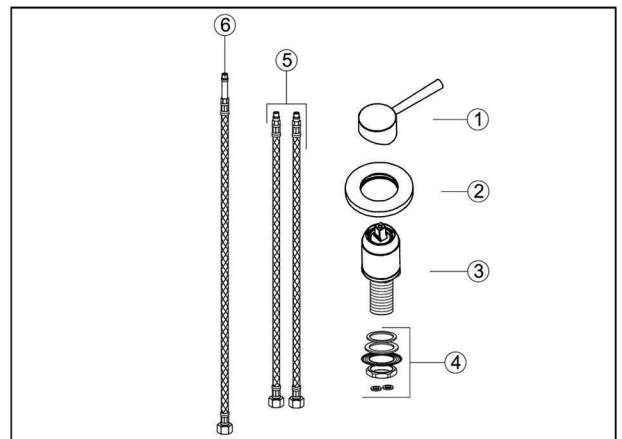
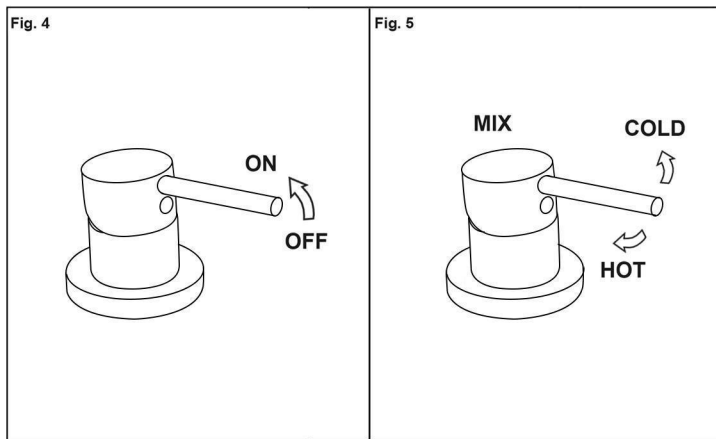
# INSTALLATION METHOD OF WATER DROP SWITCH

Measures in inch



## INSTALLATION

Before introducing the remote control in the hole of the sink, check that the basis seal are well positioned in their proper seat and that the feeding flexible hoses are well screwed on the remote control body. Place the control in the hole of the sink. Then introduce the fixing kit according to the indicated sequence. Tighten de proper tie rod or the threaded nut and proceed with the connection of the feeding flexible hoses to the water net.



## OPERATION

When idle the lever is in central position.  
To start mixed water supply push the lever backwards; this way you get mixed water.  
To get cold water shift the lever to the right and to get hot water shift it to the left.

## Spare parts:

- 1 - Handle
- 2 - Cover Plate
- 3 - Valve body
- 4 - Fastening set
- 5 - Supply hoses
- 6 - Connection flexible

## CLEANING CARE

In order to keep the appearance of faucet clean, bright and good performance, please take care of the faucet as follows;

1. Rinse with water only and dry with soft cotton cloth;
2. Use mild liquid and colorless glass cleaner to remove surface dirt and scale film, or use polish without abrasive effect;
3. Do not use abrasive detergent, polish, emery cloth, paper towel or scraper, etc.;
4. Do not use acid cleaner, or cleaner and soap with insoluble gran etc.;
5. In the process of use, mud may accumulate in the bubbler and make the water flow show, The bubbler can be unscrewed, rinsed with water, and then installed back in place.



