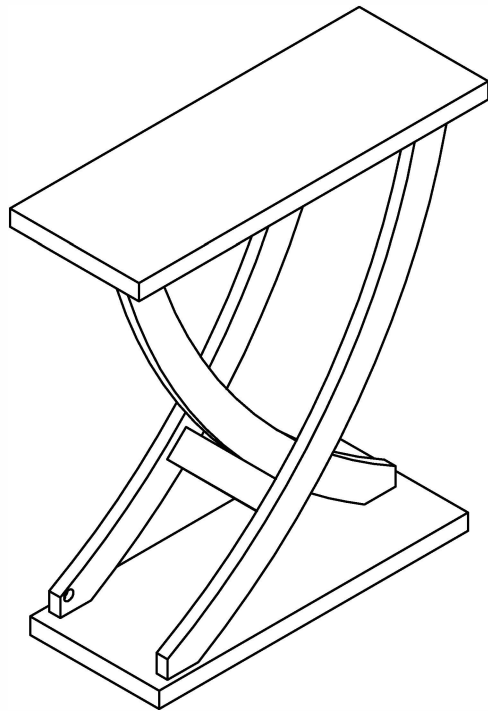


# ASSEMBLY INSTRUCTION

---



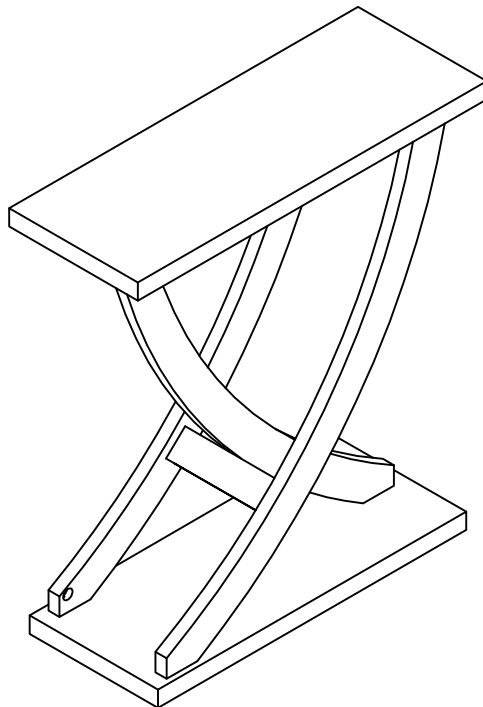
# ASSEMBLY INSTRUCTION

## **PLEASE READ BEFORE ASSEMBLING!**

Tip #1: Make sure you've taken all the pieces and hardware out of its packaging before discarding the box.

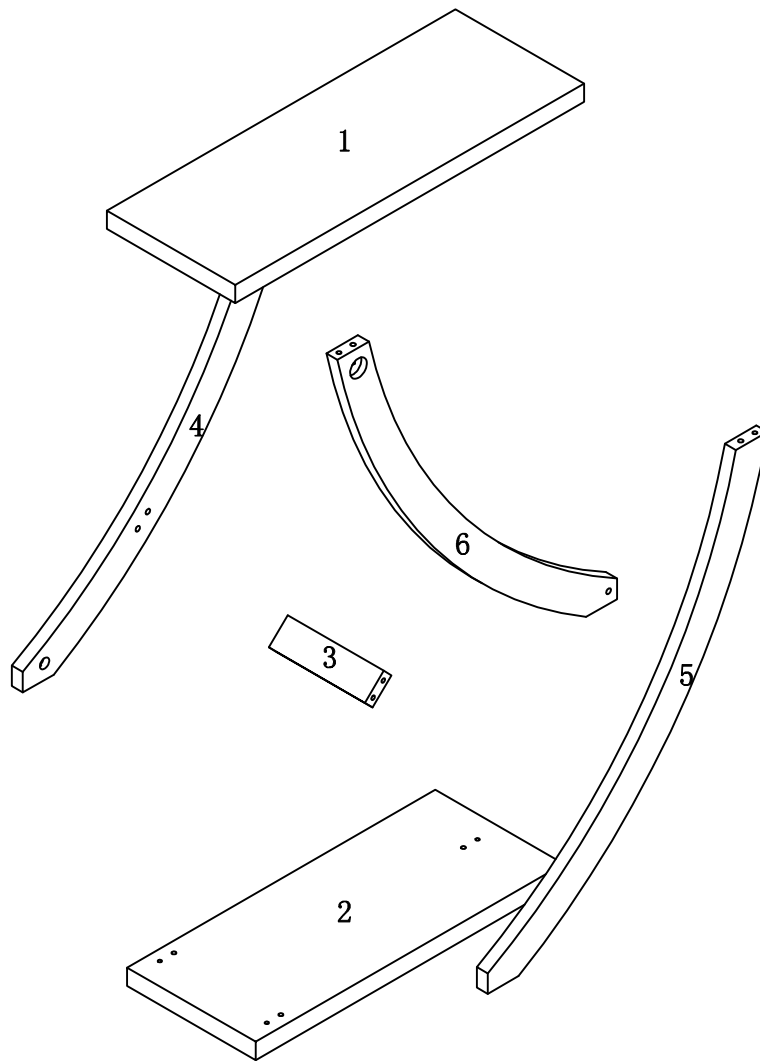
Tip #2: Using page 2 and/or page 3 of instruction manual make sure all pieces and hardware are accounted for.

Tip #3: Read manual before assembling, it helps!












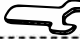

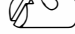





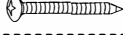


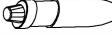
# PARTS IDENTIFICATION

---



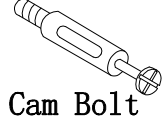
- |     |     |
|-----|-----|
| (1) | 1pc |
| (2) | 1pc |
| (3) | 1pc |
| (4) | 1pc |
| (5) | 1pc |
| (6) | 1pc |

# HARDWARE IDENTIFICATION

A		L29	5pcs
B		Φ 15	5pcs
C		Φ 22	5pcs
D		Φ 8 x 25	6pcs
E		M8 x 70	3pcs
F		M8	3pcs
G		M8	3pcs
H		Φ 16	6pcs
I		Φ 45	3pcs
J		M13	1pc
K		Φ 13	3pcs
L		Φ 6 x 30	3pcs
M		M6 x 65	3pcs
N		M4	1pc
O		Φ 16	4pcs
P		Φ8x40	1pc
Q		Φ12x12x1	2pcs
R		Φ5x40	1pc
S		Φ4x25	1pc
T		197×5×1	1pc
U		Glue: For securing please apply to wood dowel first before inserting into panel	1pc

# ASSEMBLY INSTRUCTION

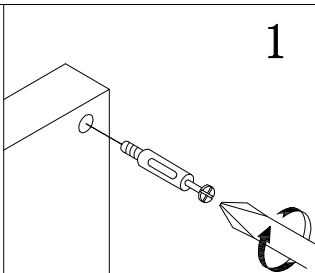
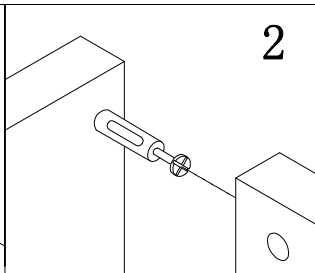
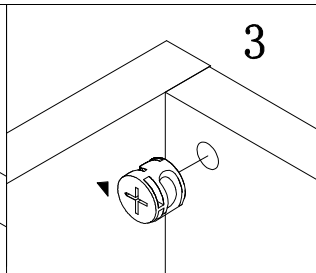
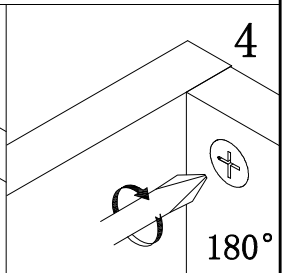
HOW TO

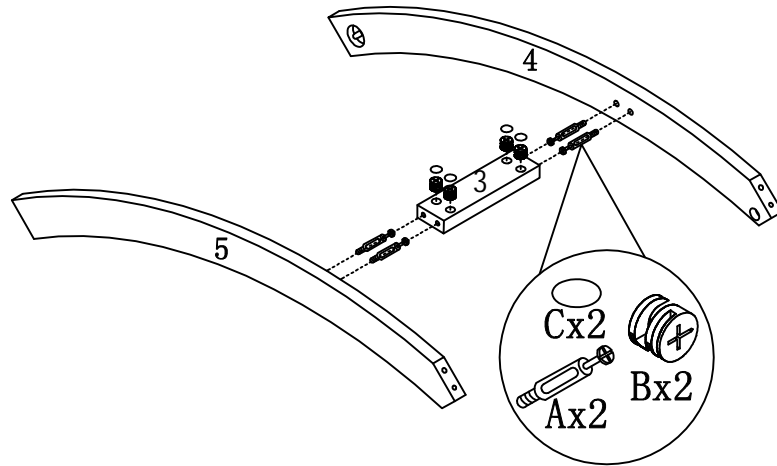


Cam Bolt



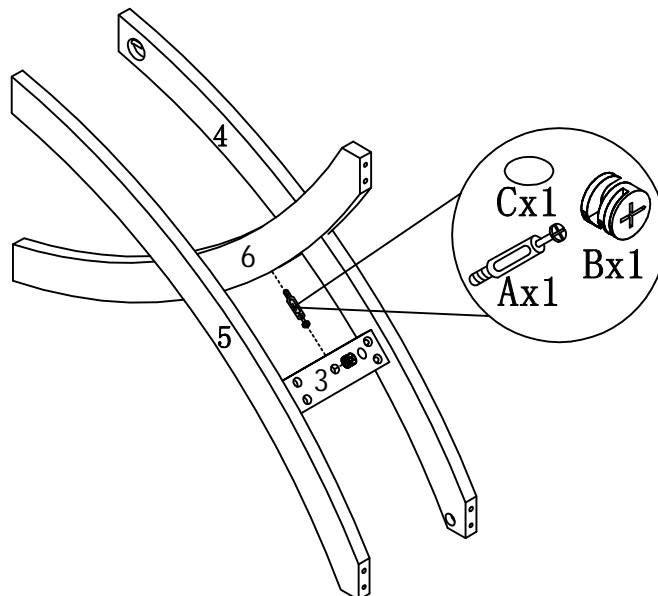
Cam Lock

				
	1. Screw Cam Bolt into panel.	2. Insert Cam Bolt into bolt hole of joining panel.	3. Insert Cam Lock. arrow facing bolt.	4. Gently turn Cam Lock clockwise to lock position.

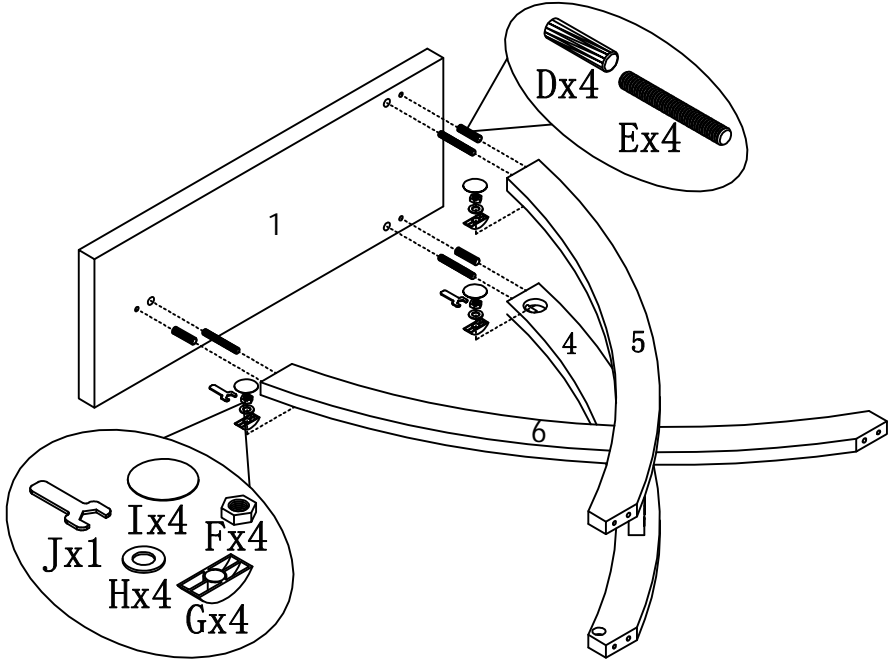


STEP 1

STEP 2

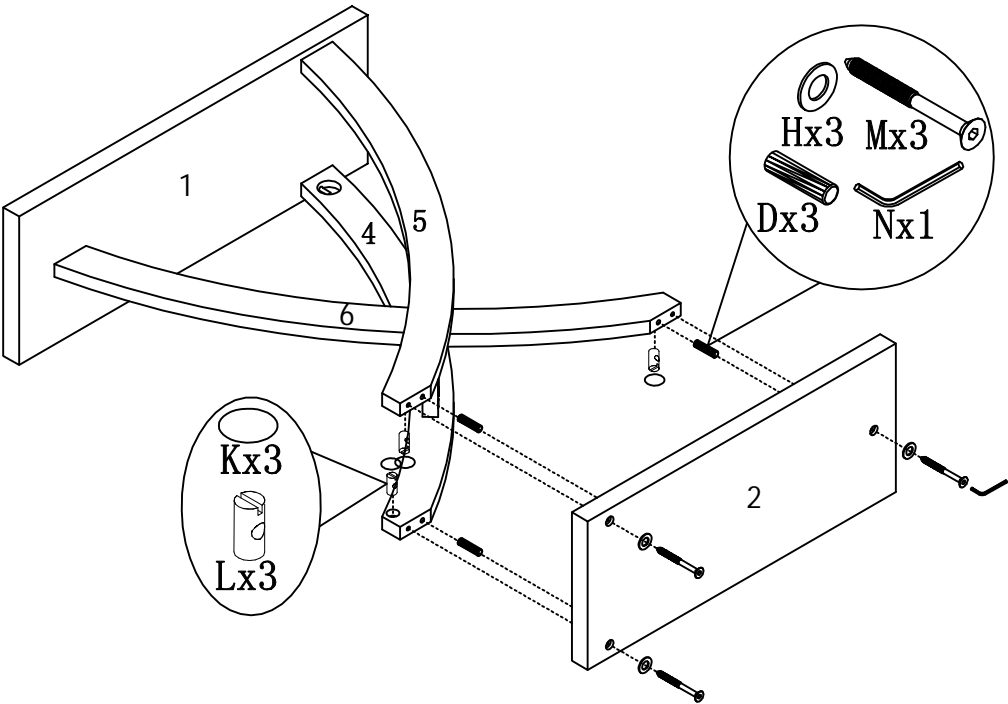


# ASSEMBLY INSTRUCTION



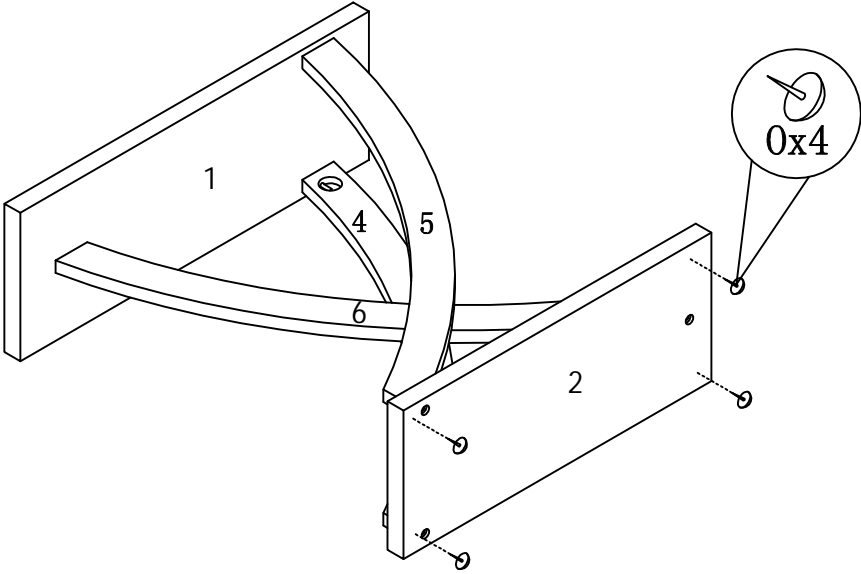
STEP3

STEP4



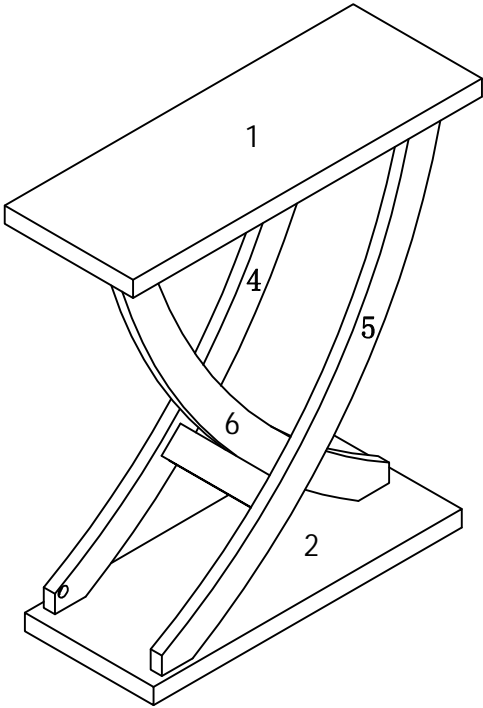
# ASSEMBLY INSTRUCTION

---



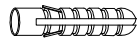
STEP5

STEP6

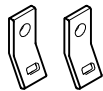


# ANTI-TIPPING STRAP INSTRUCTION

## HARDWARE (INCLUDED) :



DRYWALL ANCHOR  $\phi 8 \times 40$  X 1PC



METAL BRACKETS  $12 \times 12 \times 1$  X 2PCS



DRYWALL SCREW  $\phi 5 \times 40$  X 1PC

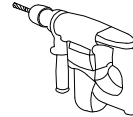


STRAP  $197 \times 5 \times 1$  X 1PC



FLATHEAD SCREW  $\phi 4 \times 25$  X 1PC

## TOOLS NEEDED ( NOT INCLUDED) :



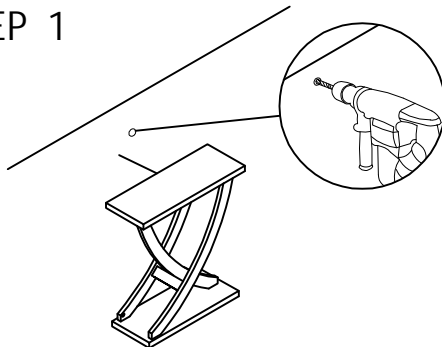
DRILL & DRILL BIT



LIGHT HAMMER

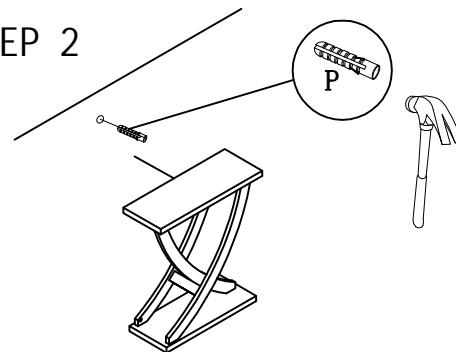
Note: Hardware included only compatible with standard drywalls.

### STEP 1



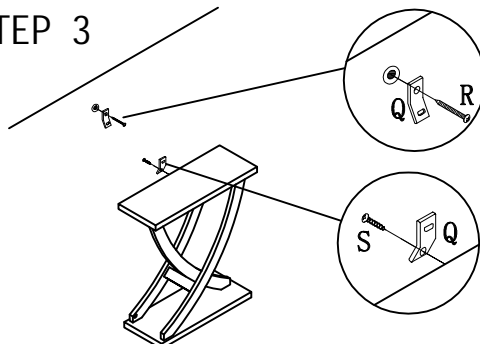
1. Find spot on wall 1" below top of item.
2. Using a drill bit slightly thinner than anchor, drill hole into drywall.

### STEP 2



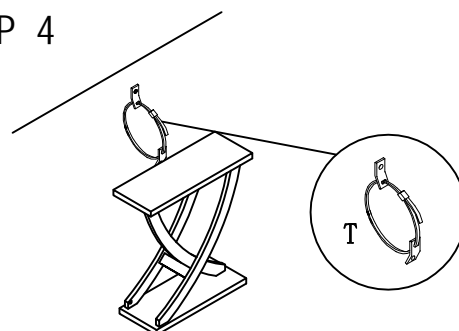
1. Use a light hammer to tap anchor into hole.
2. Anchor should fit snugly. If hole is too small, drill again to increase hole size. Do not force anchor into wall.

### STEP 3



1. Insert drywall screw into metal bracket and into drywall anchor.
2. Insert flathead screw into second metal bracket and into back of item along top edge.

### STEP 4



1. Insert strap thru bracket attached to wall, then thru bracket on item, and into head of strap.
  2. pull lightly til strap stops.
- Assembly is complete.