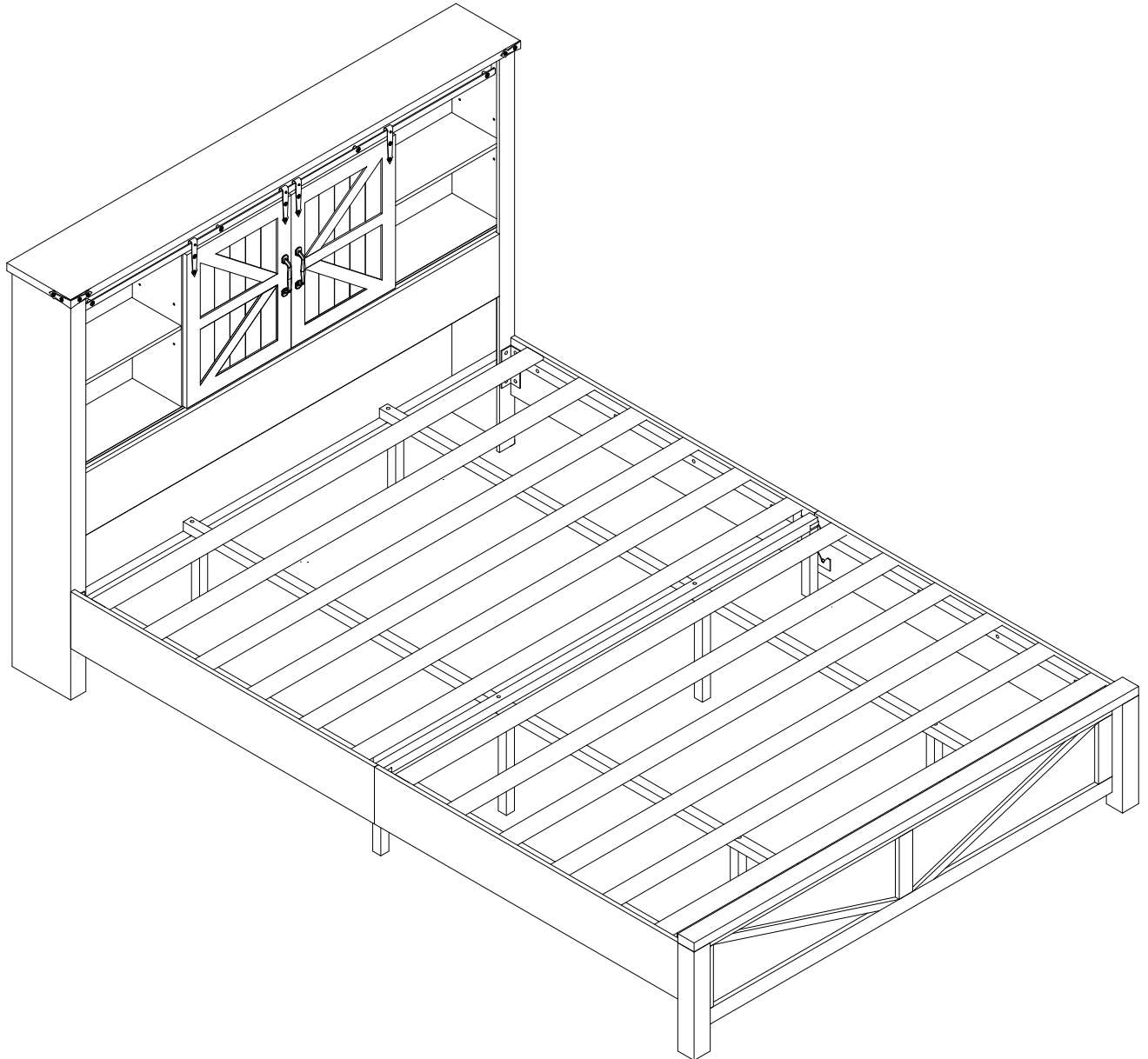
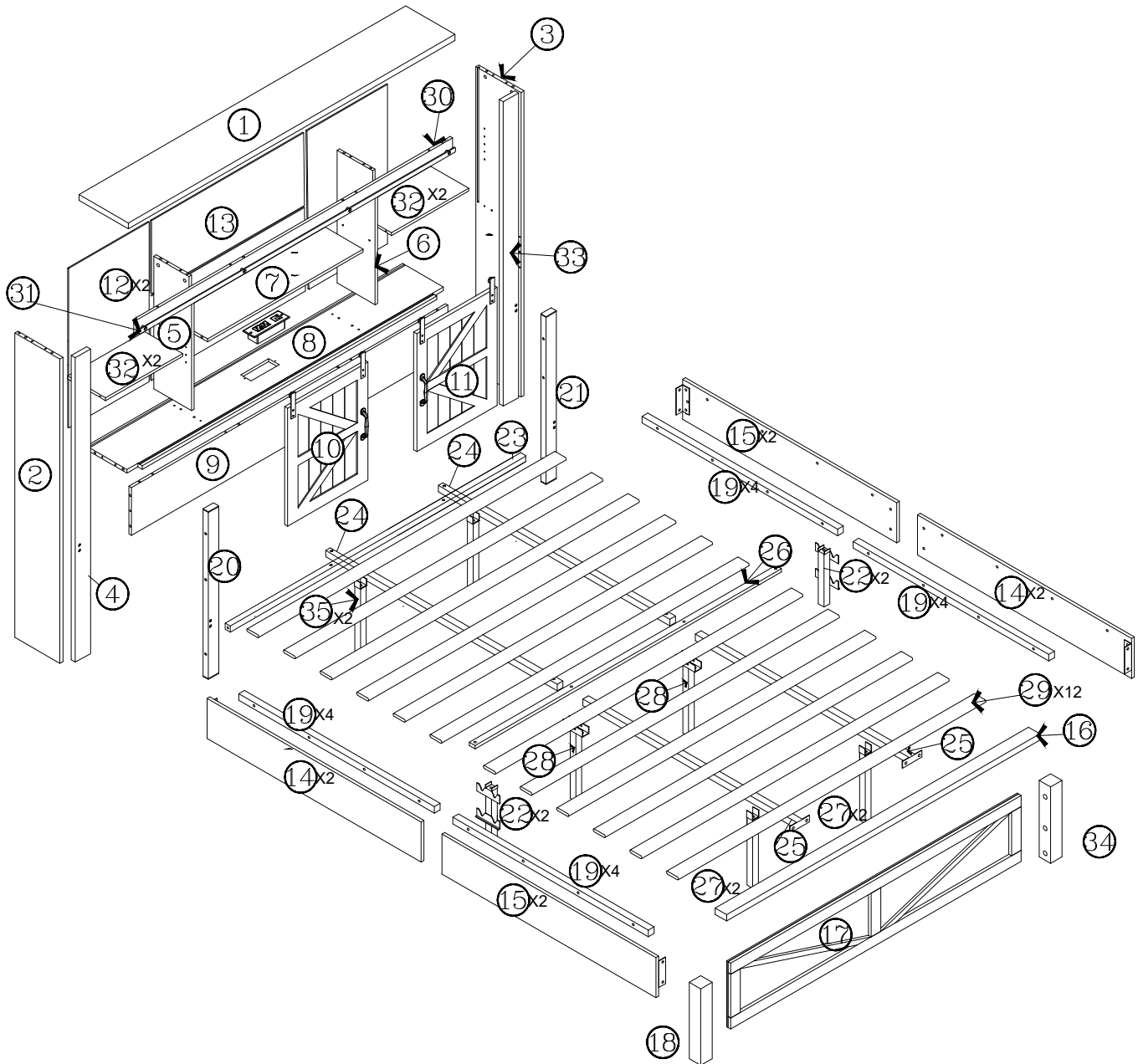


# Bookcase Storage Bed Frame Assembly Instructions




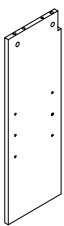
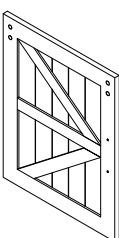
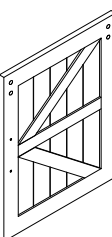
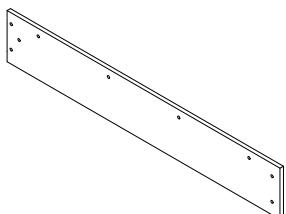
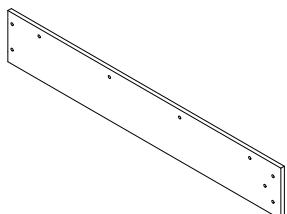

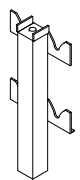

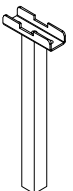
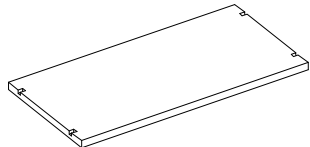

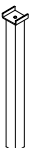

Please carefully reading this manual will help you complete the product installation more efficiently

# ASSEMBLY INSTRUCTIONS

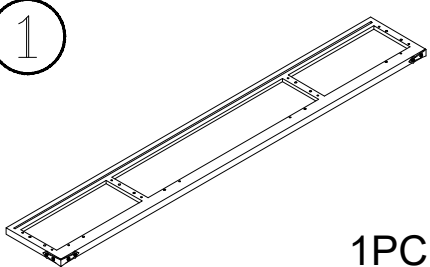
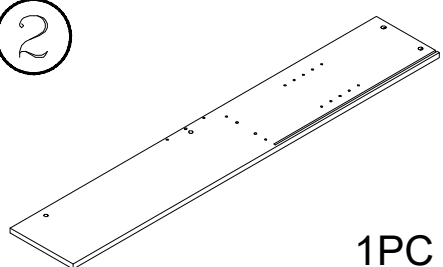
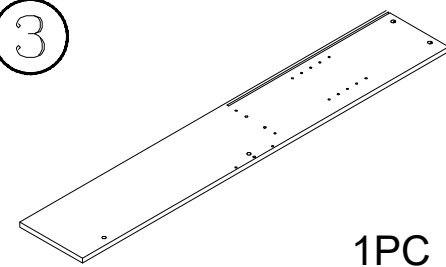
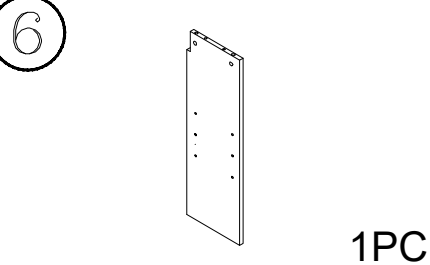
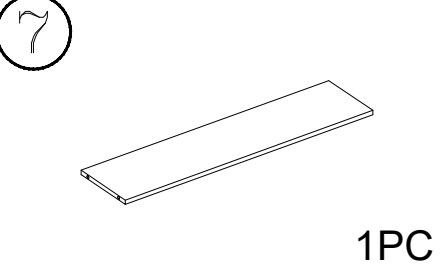
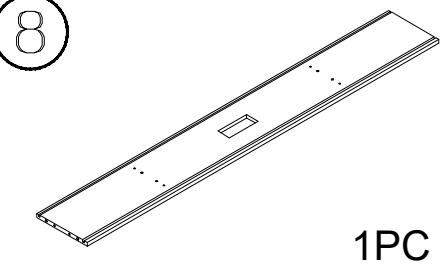
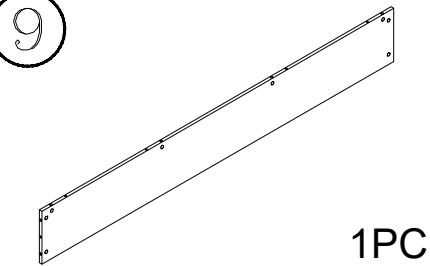
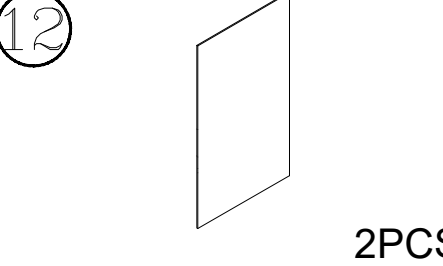
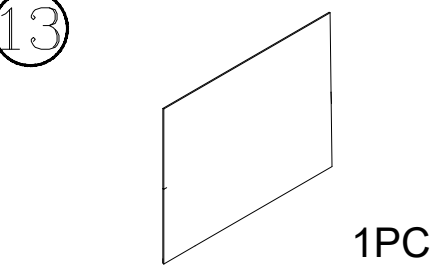
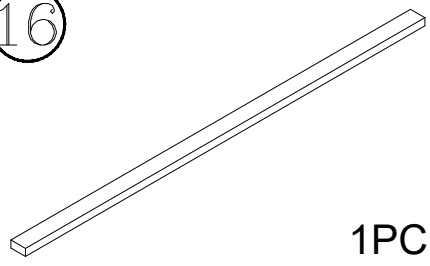
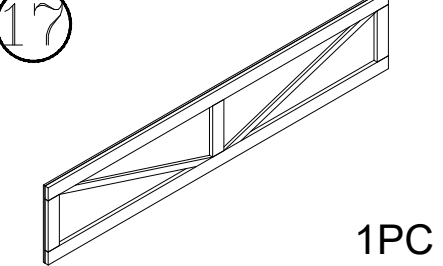
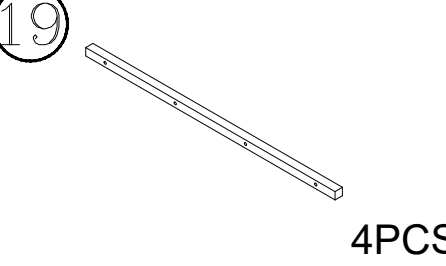
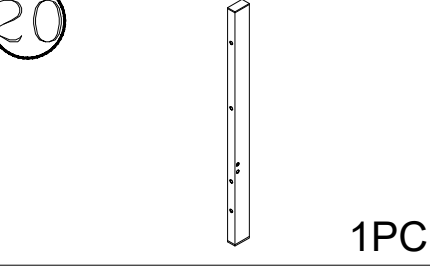
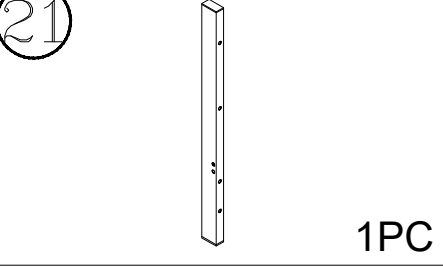
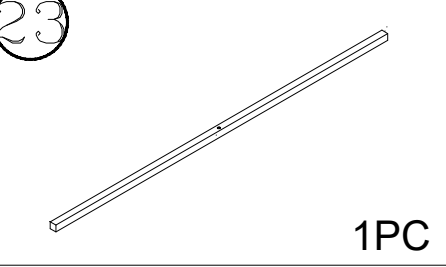
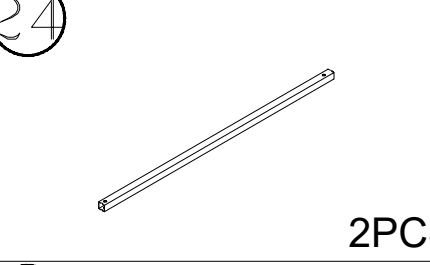
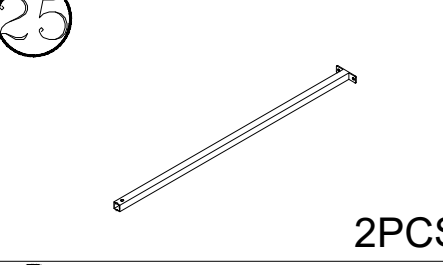
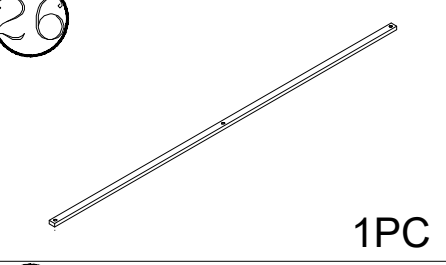
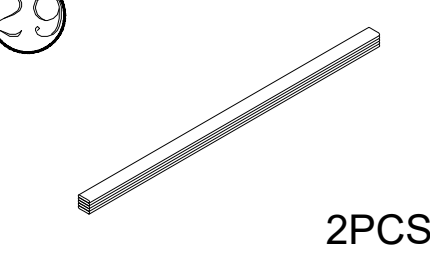
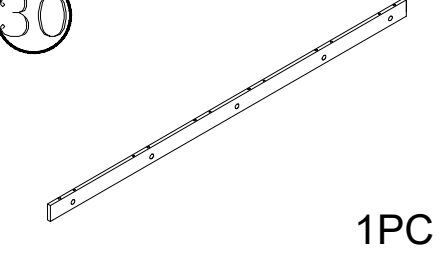
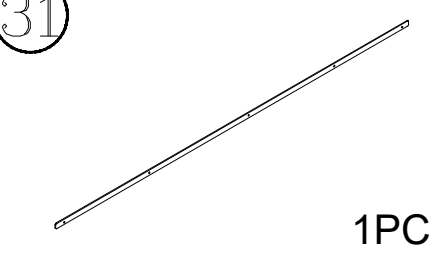


# ASSEMBLY INSTRUCTIONS

## The Box 1

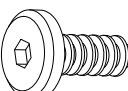
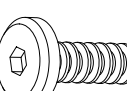
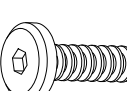
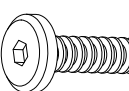
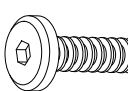
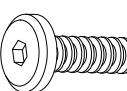
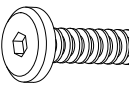

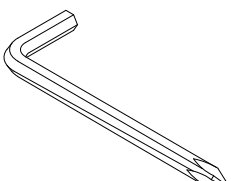
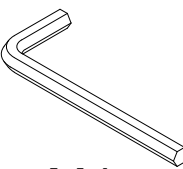

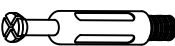
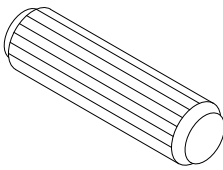
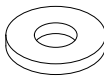
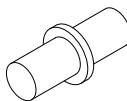
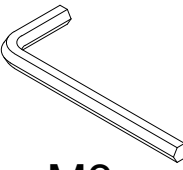
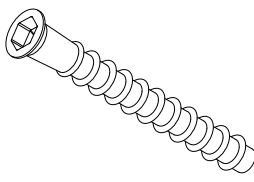
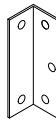
<p>4</p>  <p>2PCS</p>	<p>5</p>  <p>1PC</p>	<p>10</p>  <p>1PC</p>
<p>11</p>  <p>1PC</p>	<p>14</p>  <p>2PCS</p>	<p>15</p>  <p>2PCS</p>
<p>18</p>  <p>1PC</p>	<p>22</p>  <p>2PCS</p>	<p>27</p>  <p>2PCS</p>
<p>28</p>  <p>2PCS</p>	<p>32</p>  <p>2PCS</p>	<p>34</p>  <p>1PC</p>
<p>35</p>  <p>2PCS</p>	<p>33</p>  <p>1PC</p>	


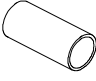
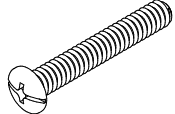
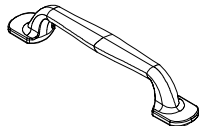
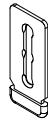
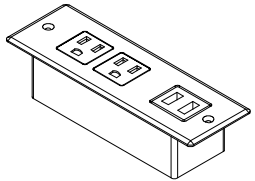
## The Box 2

 <p>1 1PC</p>	 <p>2 1PC</p>	 <p>3 1PC</p>
 <p>6 1PC</p>	 <p>7 1PC</p>	 <p>8 1PC</p>
 <p>9 1PC</p>	 <p>12 2PCS</p>	 <p>13 1PC</p>
 <p>16 1PC</p>	 <p>17 1PC</p>	 <p>19 4PCS</p>
 <p>20 1PC</p>	 <p>21 1PC</p>	 <p>23 1PC</p>
 <p>24 2PCS</p>	 <p>25 2PCS</p>	 <p>26 1PC</p>
 <p>29 2PCS</p>	 <p>30 1PC</p>	 <p>31 1PC</p>

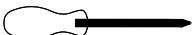
# ASSEMBLY INSTRUCTIONS

## The Box 1

<p><b>A</b></p>  <p>M6*11mm 36PCS</p>	<p><b>B</b></p>  <p>M6*25mm 5PCS</p>	<p><b>C</b></p>  <p>M6*30mm 6PCS</p>
<p><b>D</b></p>  <p>M6*35mm 16PCS</p>	<p><b>E</b></p>  <p>M6*50mm 6PCS</p>	<p><b>F</b></p>  <p>M8*35mm 12PCS</p>
<p><b>G</b></p>  <p>M8*60mm 6PCS</p>	<p><b>H</b></p>  <p>M4*12mm 18PCS</p>	<p><b>I</b></p>  <p>M5 1PC</p>
<p><b>J</b></p>  <p>M4 1PC</p>	<p><b>K1</b></p>  <p>40PCS</p>	<p><b>K2</b></p>  <p>40PCS</p>
<p><b>L</b></p>  <p>M6*30mm 23PCS</p>	<p><b>M</b></p>  <p>Φ6*Φ16mm 28PCS</p>	<p><b>N</b></p>  <p>8PCS</p>
<p><b>O</b></p>  <p>M3 1PC</p>	<p><b>P</b></p>  <p>8PCS</p>	<p><b>Q</b></p>  <p>4PCS</p>

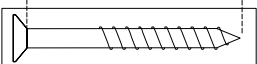
<p><b>R</b></p>  <p><b>4PCS</b></p>	<p><b>S</b></p>  <p><b>5PCS</b></p>	<p><b>T</b></p>  <p><b>M4*16mm</b> <b>4PCS</b></p>
<p><b>U</b></p>  <p><b>2PCS</b></p>	<p><b>V</b></p>  <p><b>4PCS</b></p>	<p><b>W</b></p>  <p><b>1PC</b></p>



 Phillips screwdriver  
(medium & large)

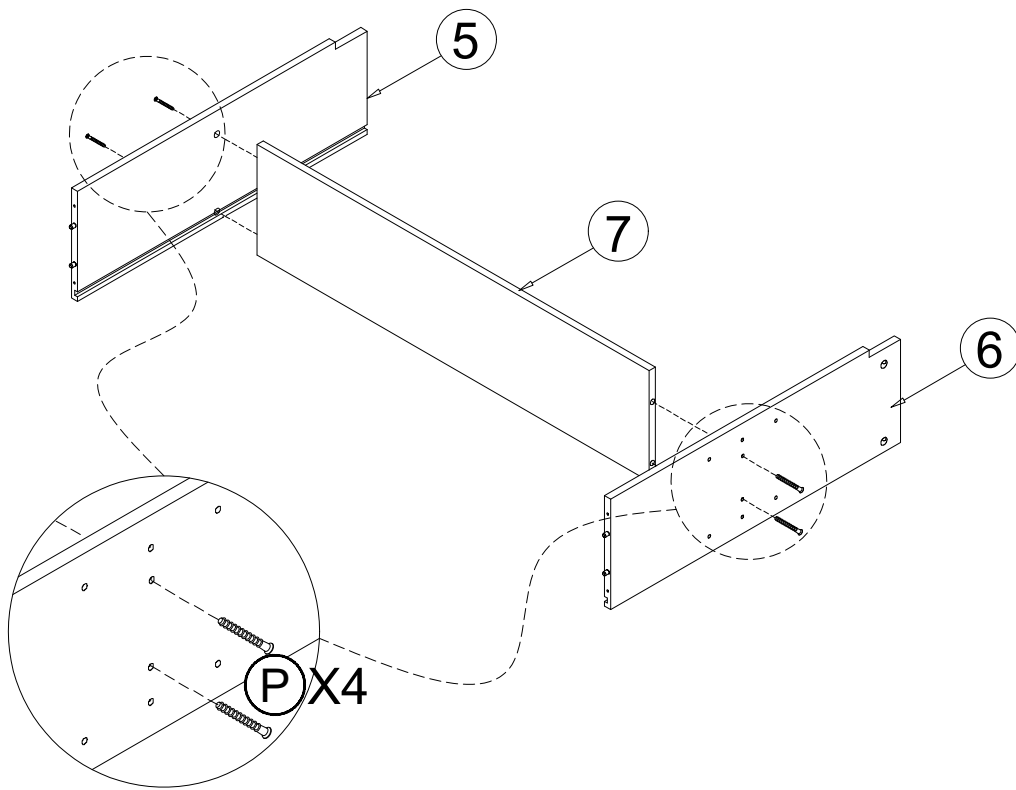
**Ruler-Use this ruler to help correctly identify the screws.**

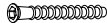
0 5 10 15 20 25 30 35 40 45 50 55 60 65 70 75 80 85 90 95 100 105 110 115 120 125 130 135 140 145 150 155 160 165 170



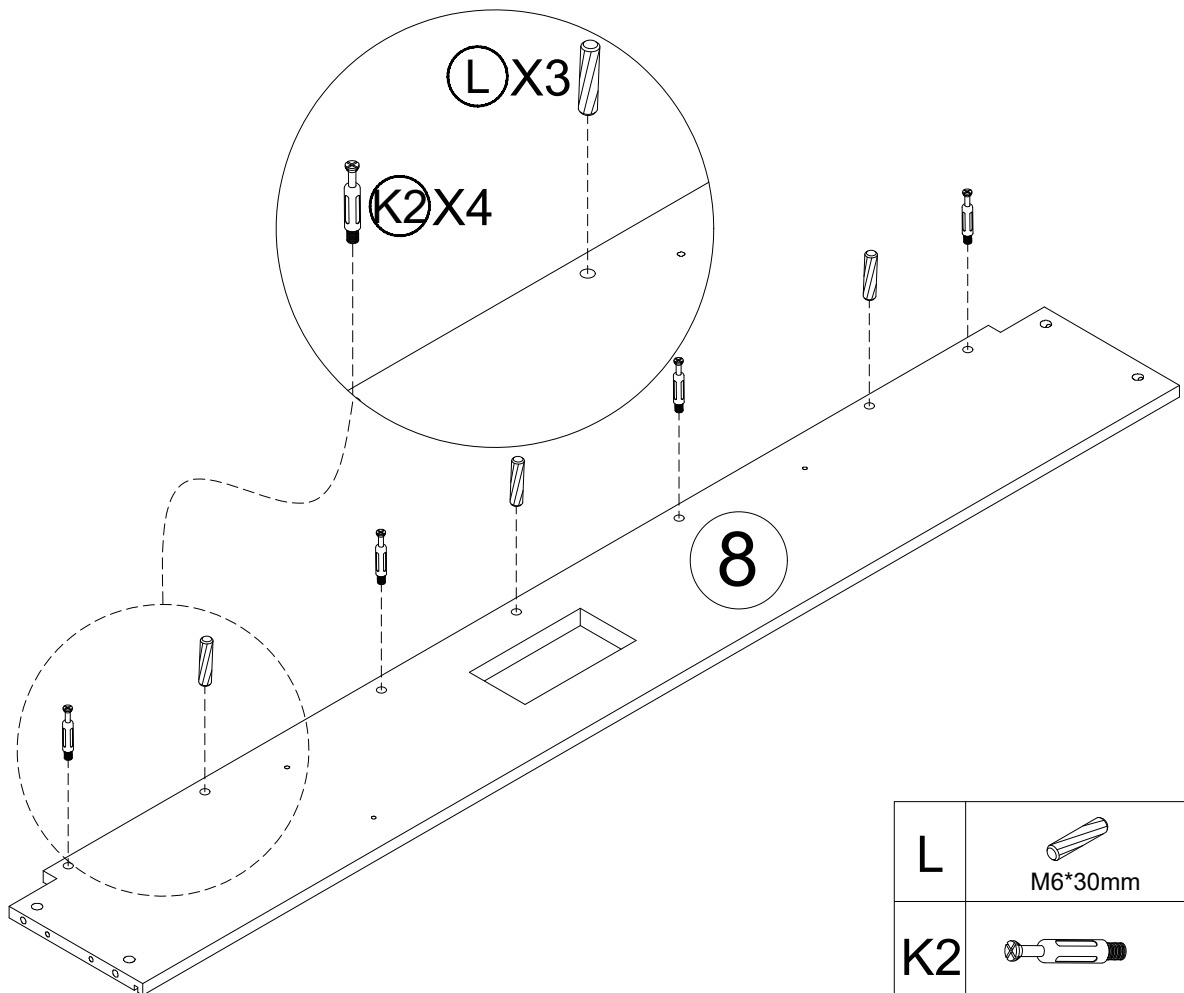
The length of the screw is measured from the rod part excluding the screw cap (30mm screw shown).

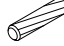
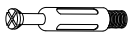
## 01



P		4PCS
---	---	------

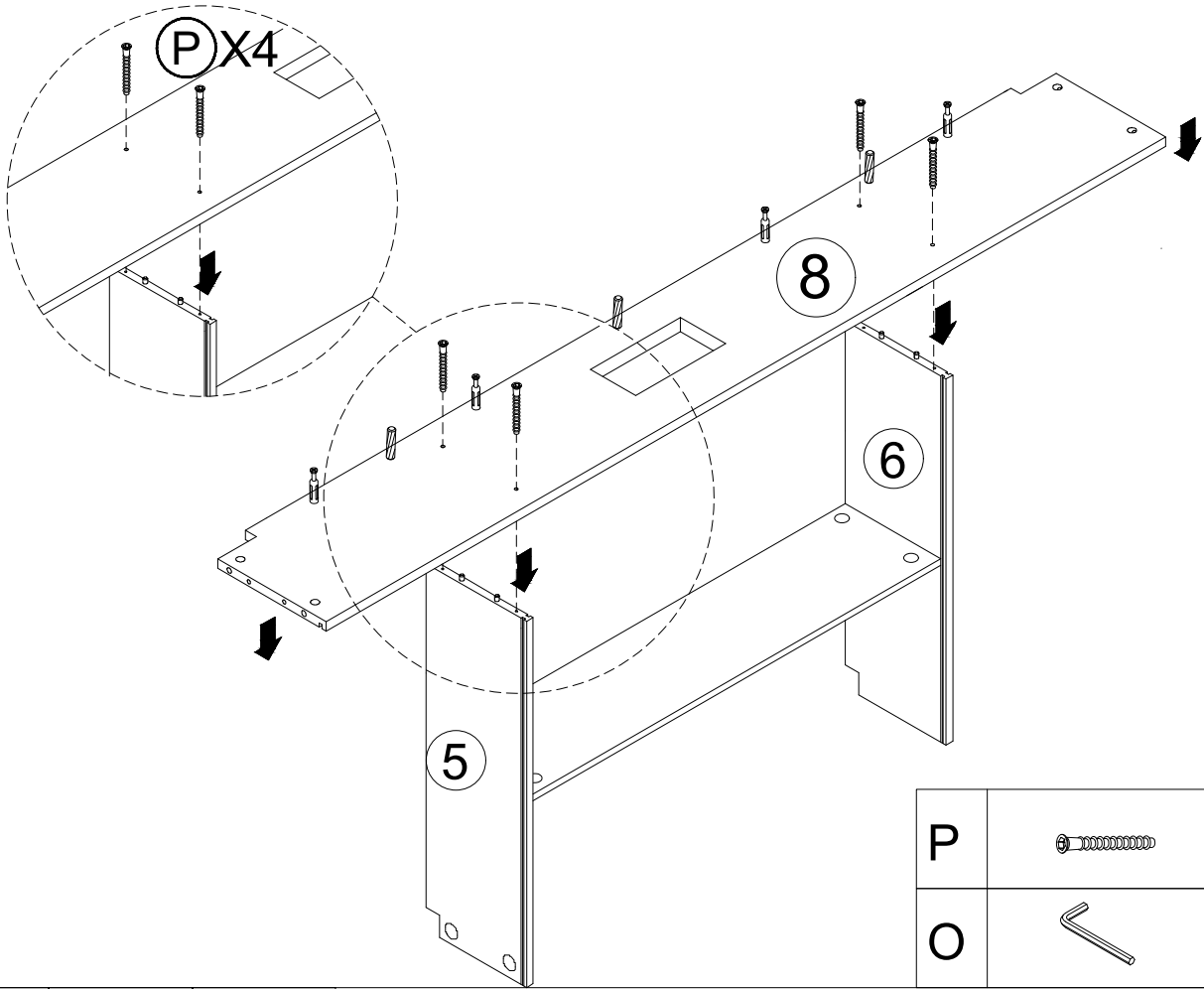
## 02

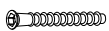
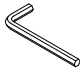


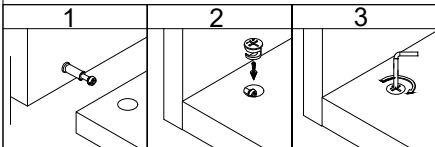
L	 M6*30mm	3PCS
K2		4PCS

# ASSEMBLY INSTRUCTIONS

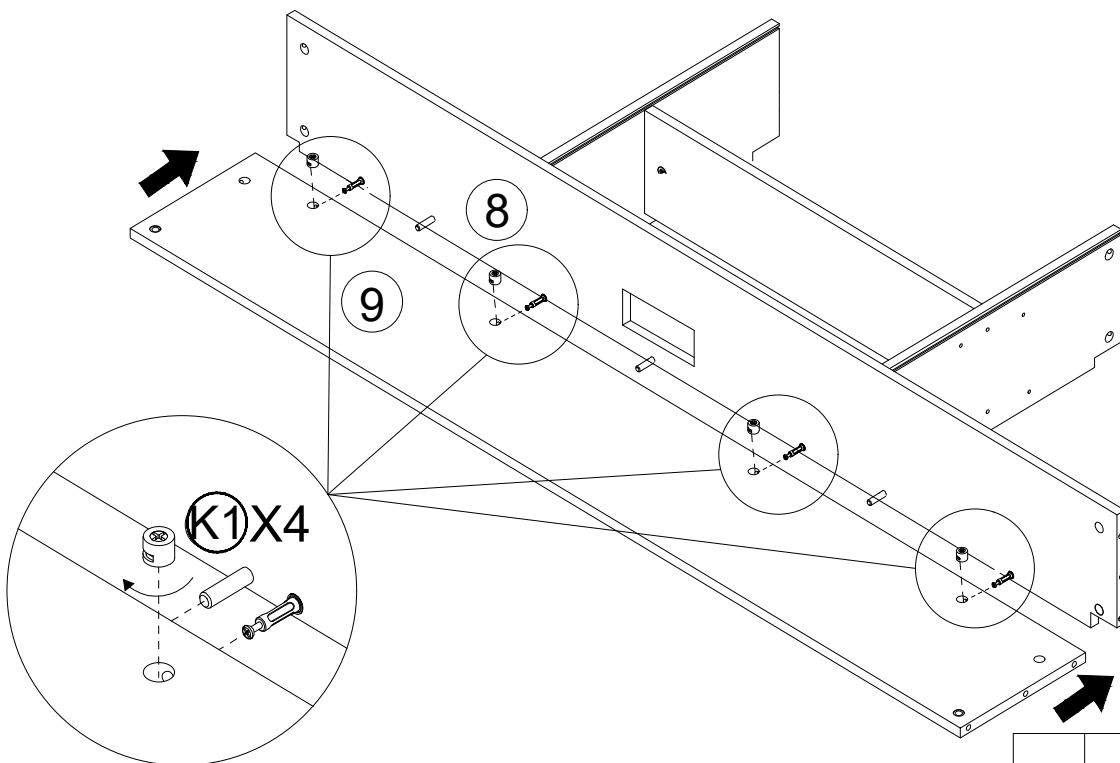
03




P		4PCS
O		1PC

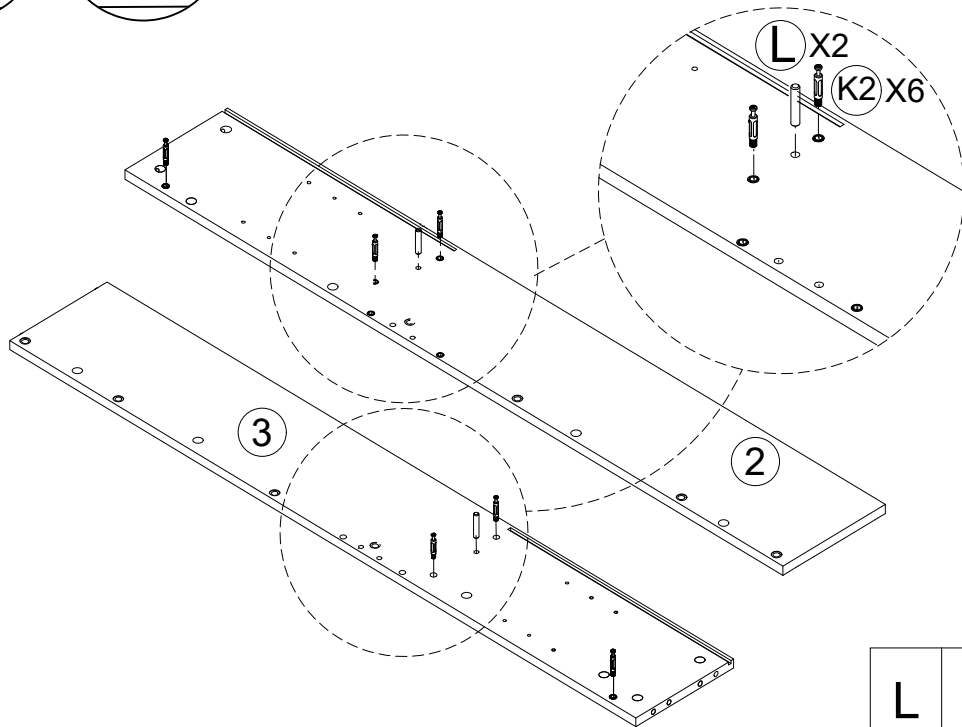
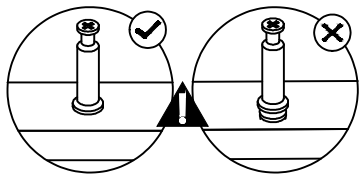


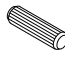

04



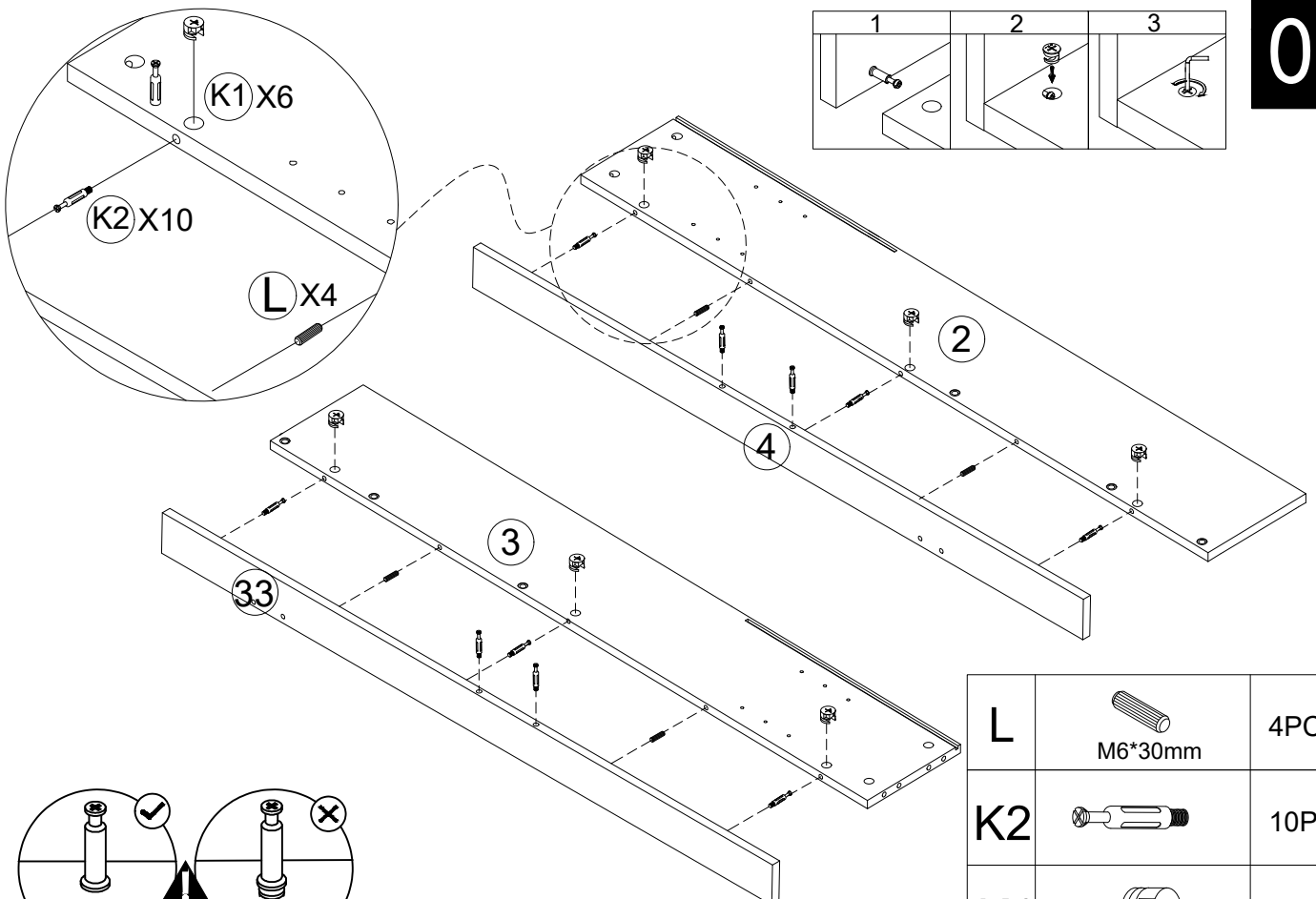
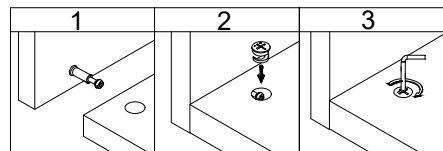
K1		4PCS
----	---	------

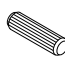


## 05

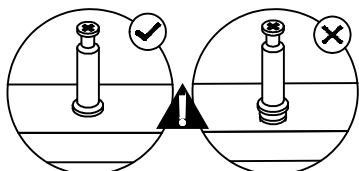


L	 M6*30mm	2PCS
K2		6PCS

## 06

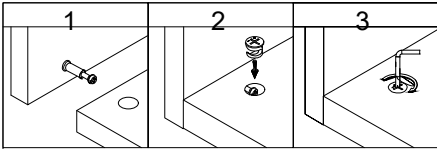


L	 M6*30mm	4PCS
K2		10PCS
K1		6PCS

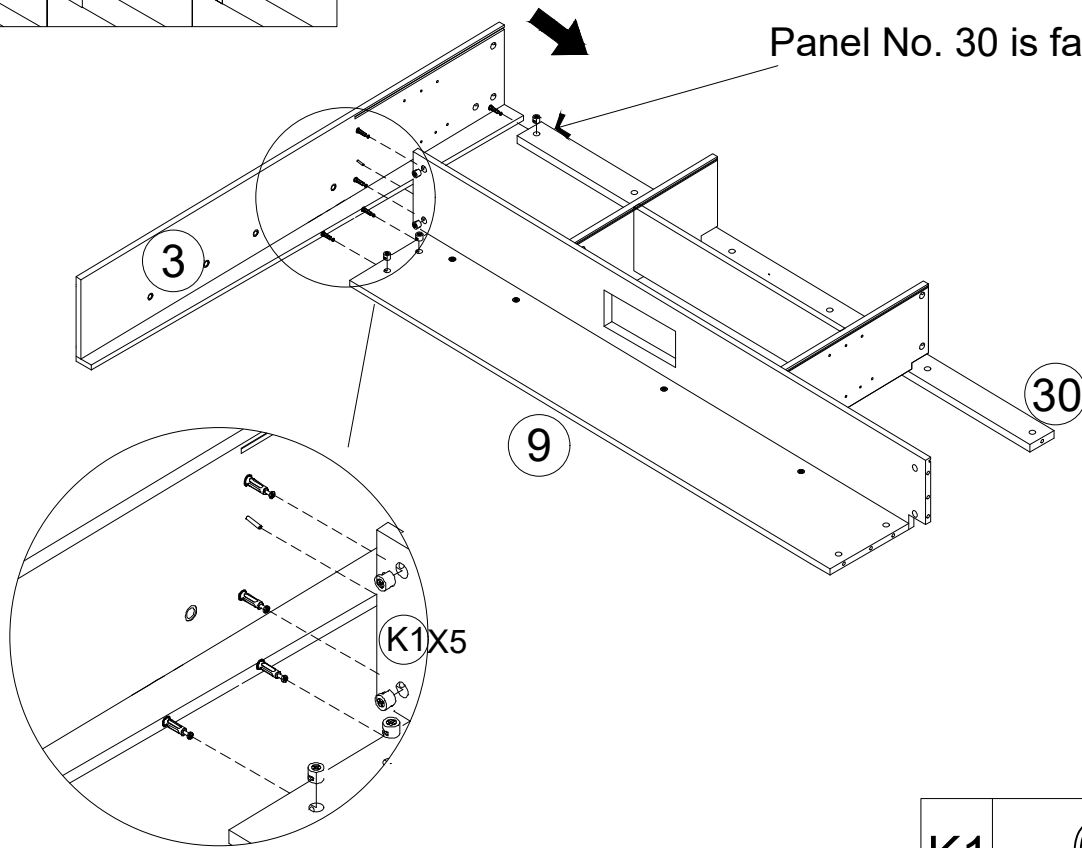



# ASSEMBLY INSTRUCTIONS

07

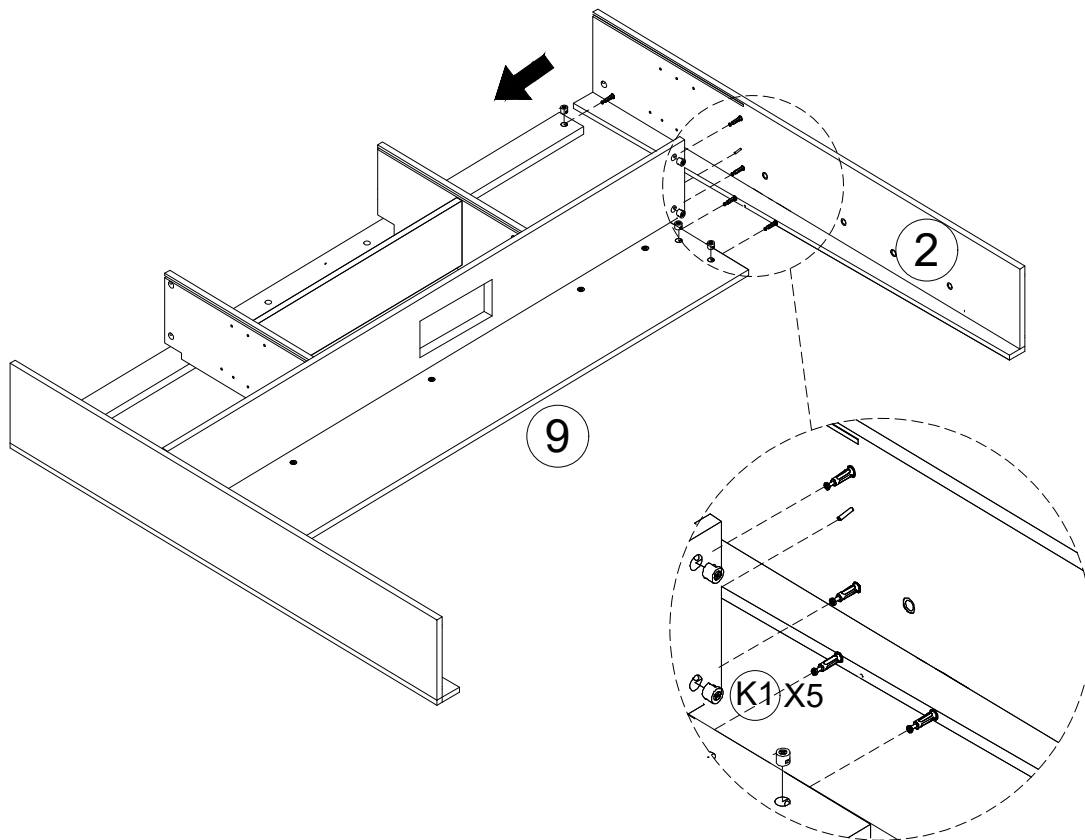



Panel No. 30 is facing upwards.



K1		5PCS
----	---	------

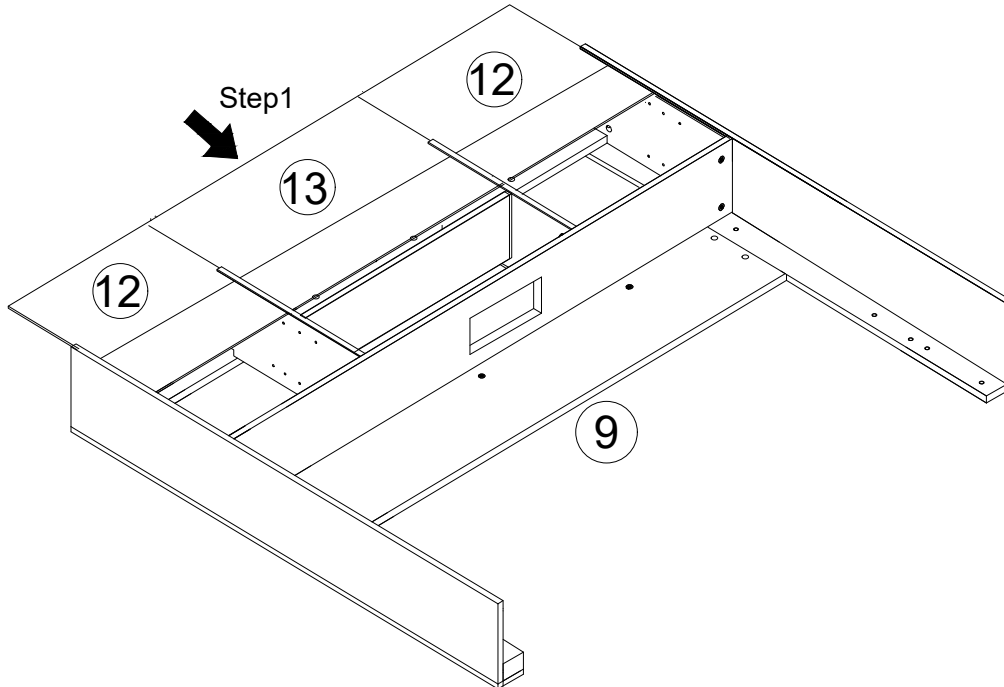
08



K1		5PCS
----	---	------

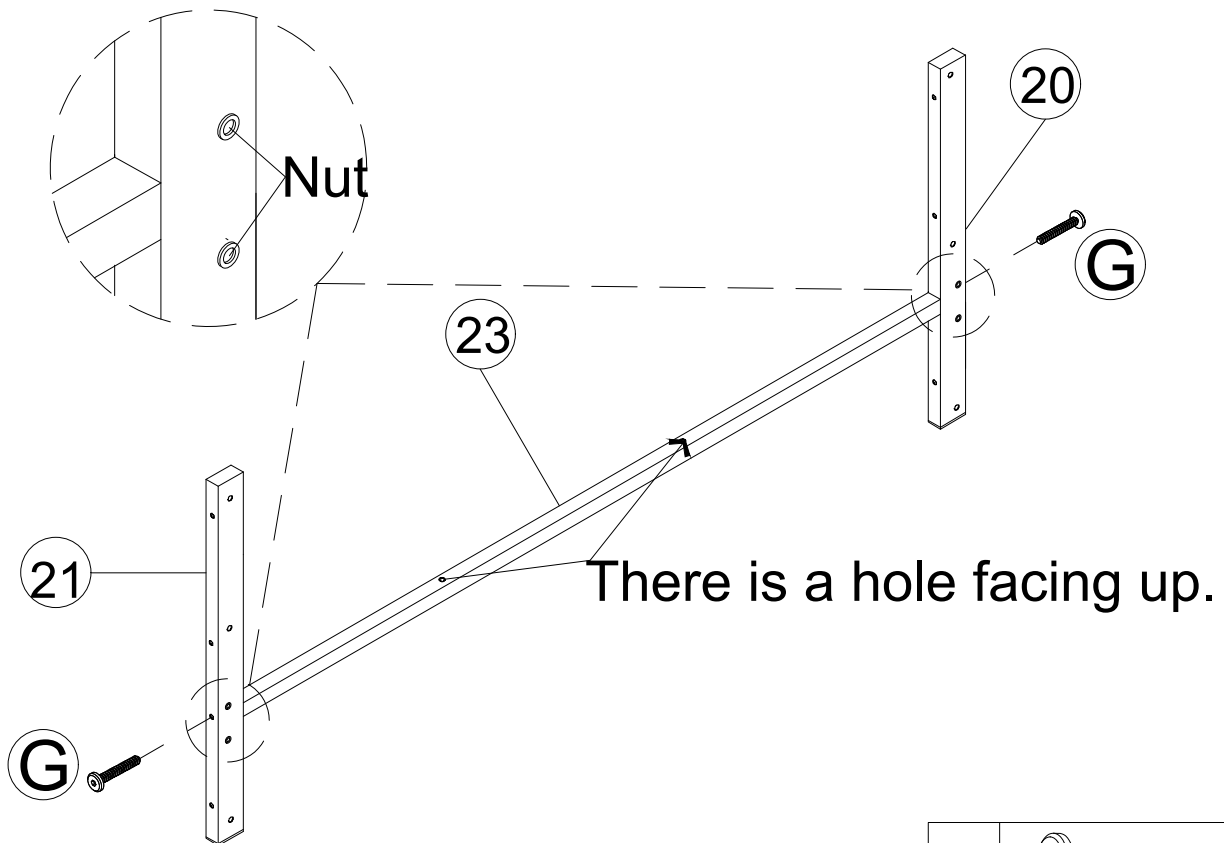
Step 1: Install the 13th panel first, then the 12th panel.

09



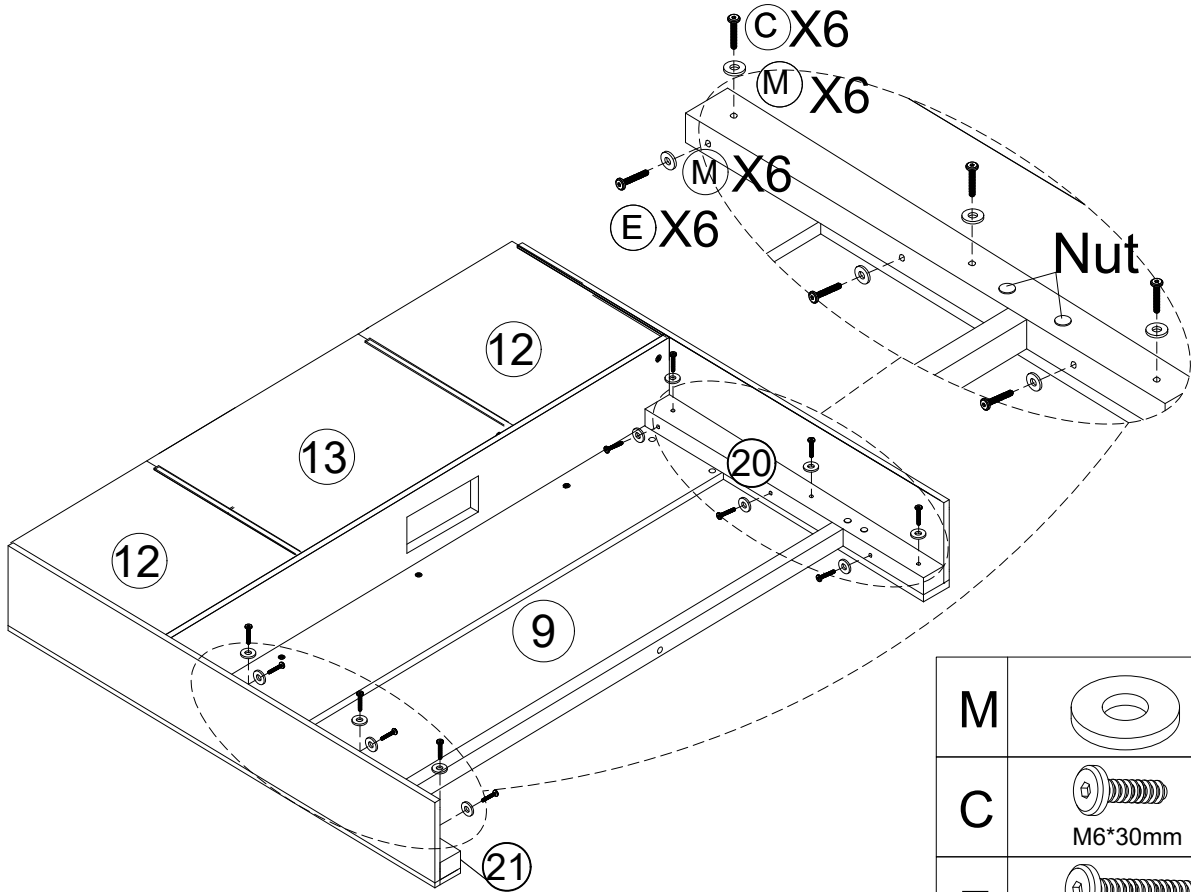
The hole positions and nut orientation on parts 20 and 21 must be consistent with the picture.

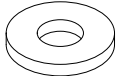


10



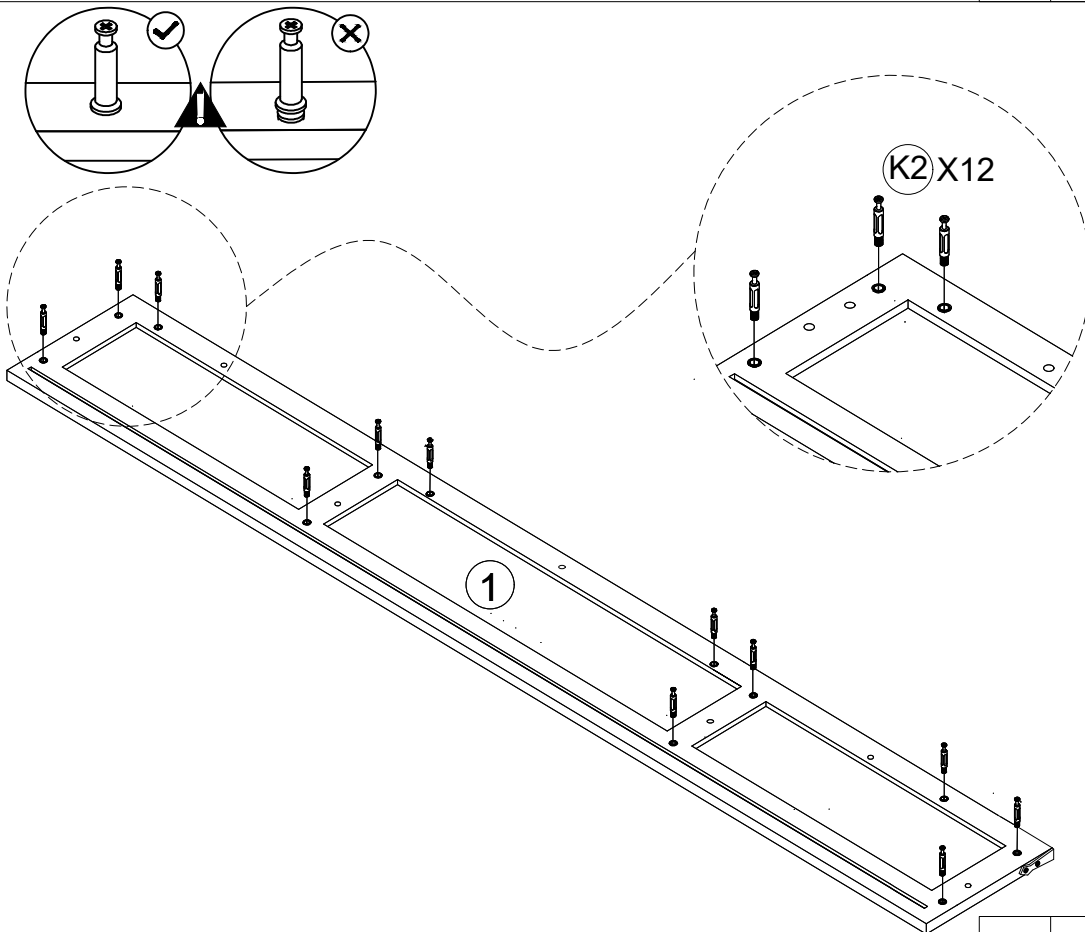
G	 M8*60mm	2PCS
---	--	------

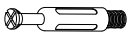
## 11



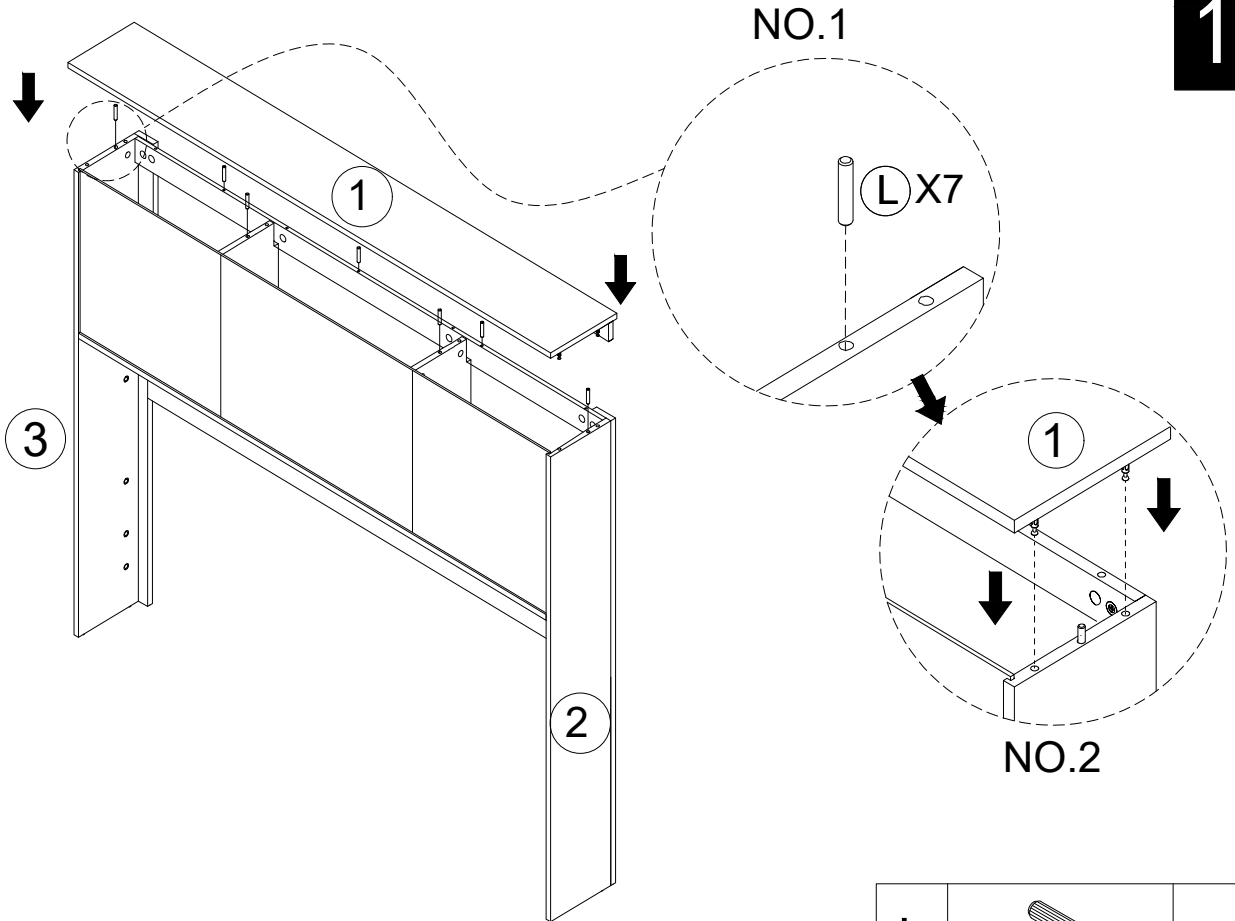
M		12PCS
C	 M6*30mm	6PCS
E	 M6*50mm	6PCS


## 12

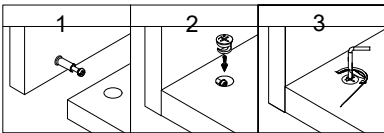


K2		12PCS
----	---	-------

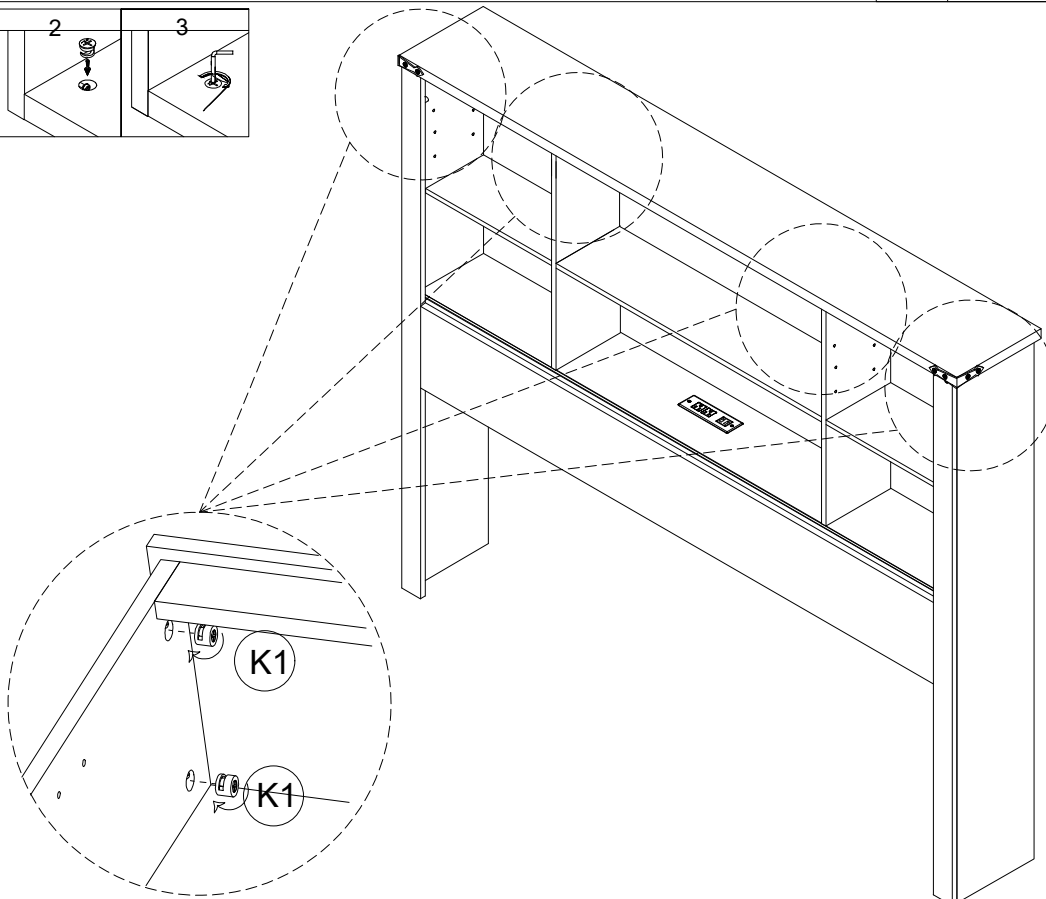
## 13




L	 M6*30mm	7PCS
---	---	------



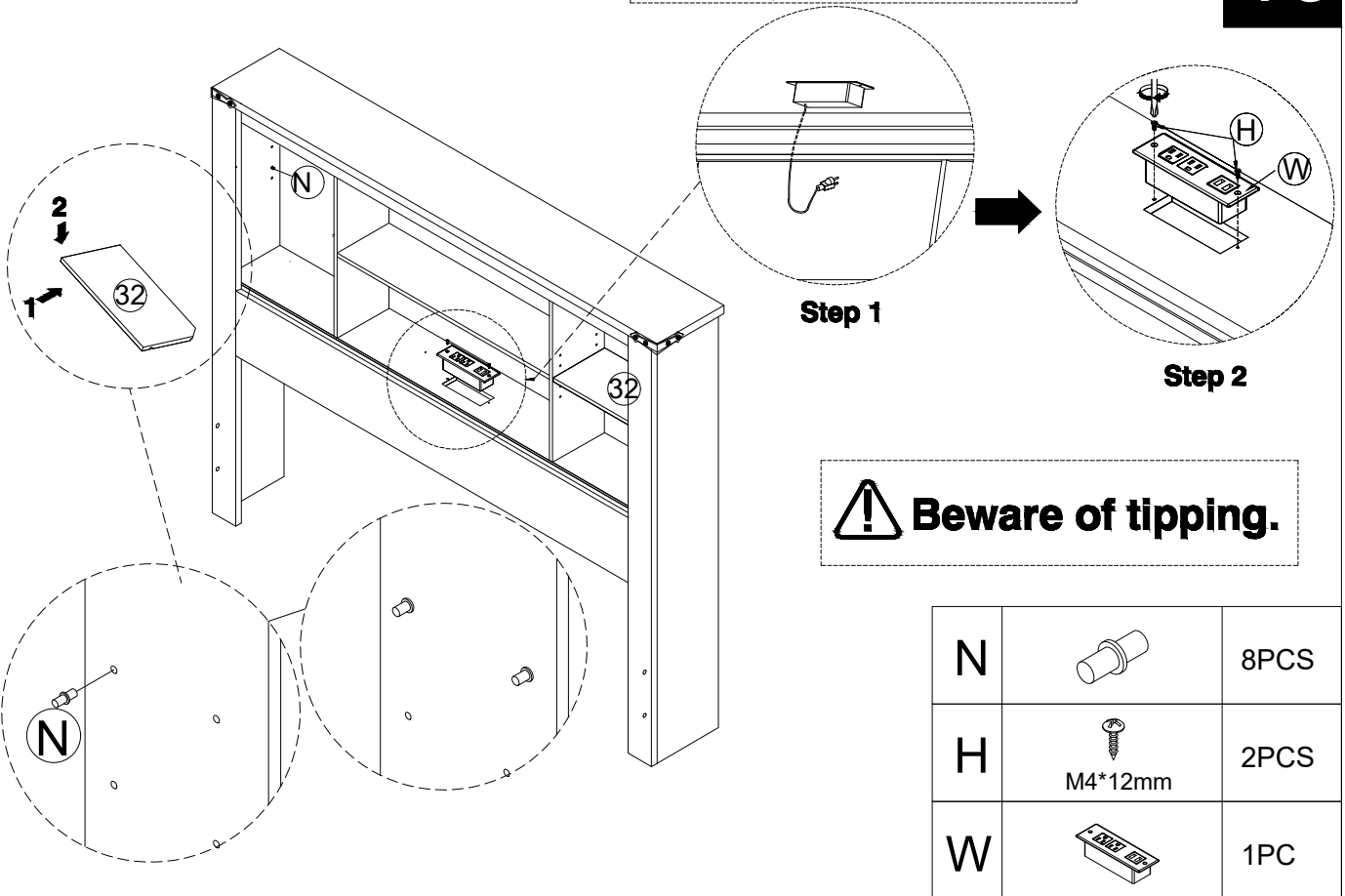
## 14



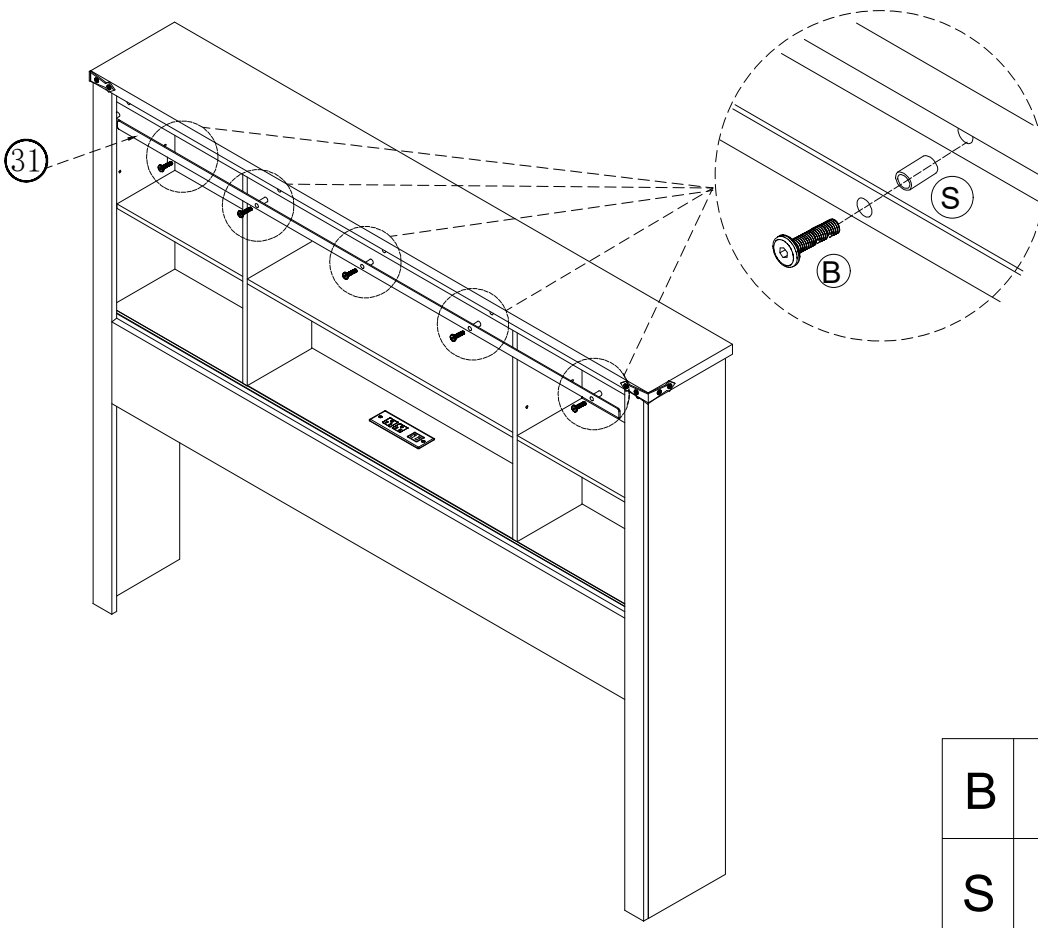
K1		12PCS
----	---	-------

## 15

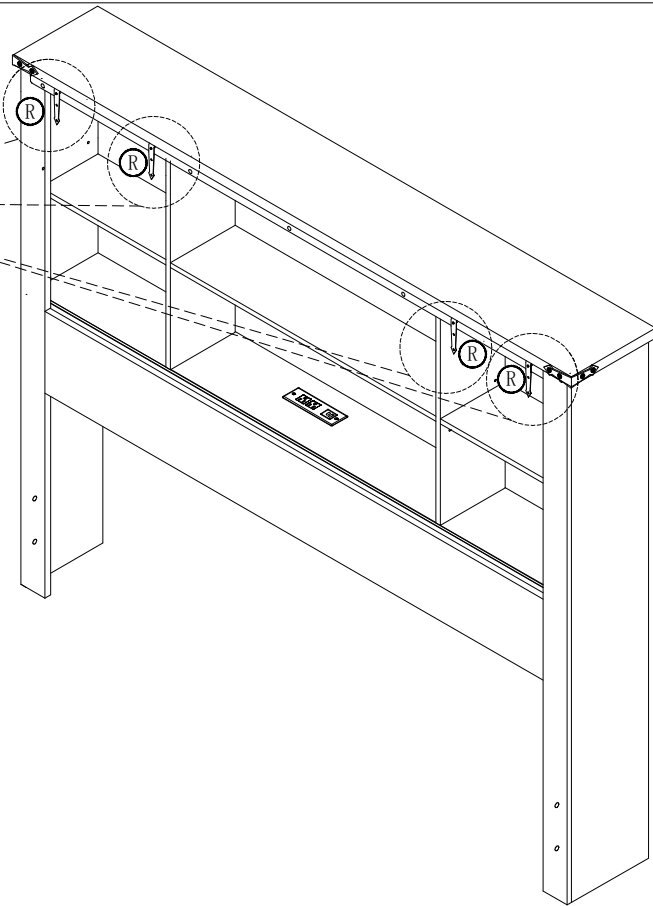
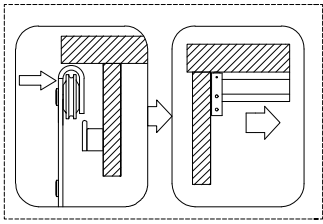
The power plug passes through the backplane hole




## 16

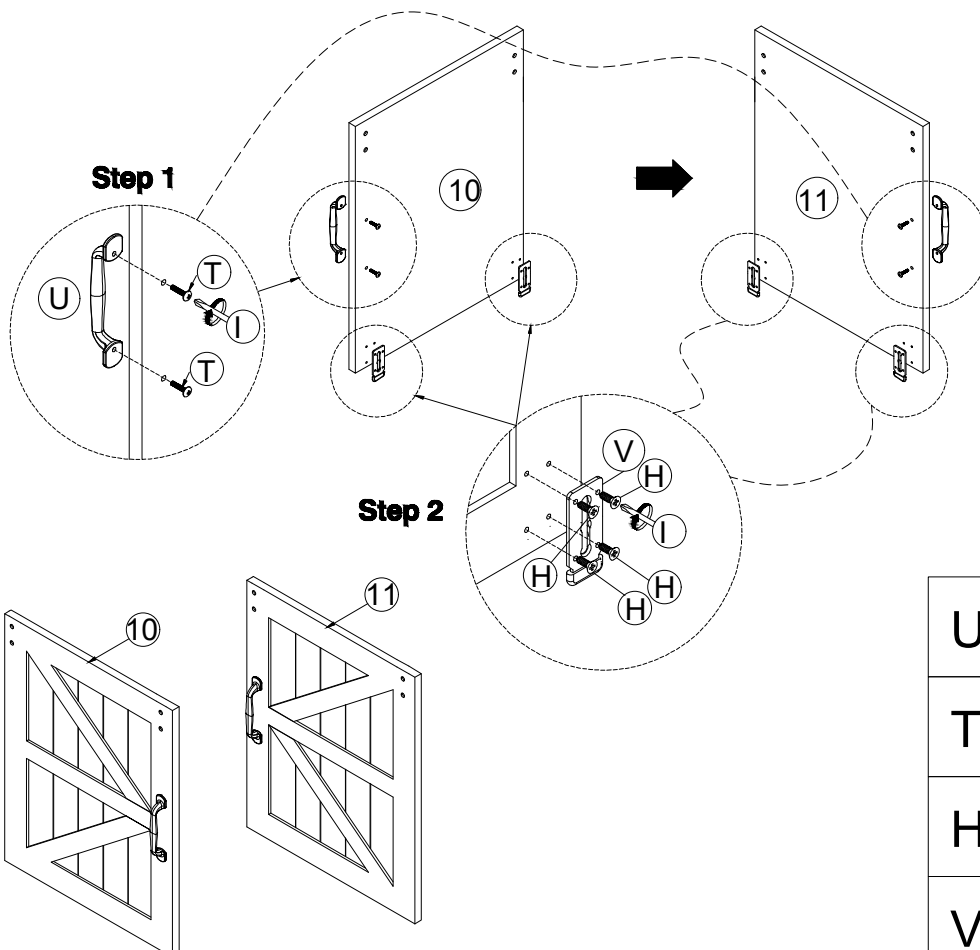



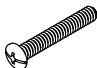


## 17



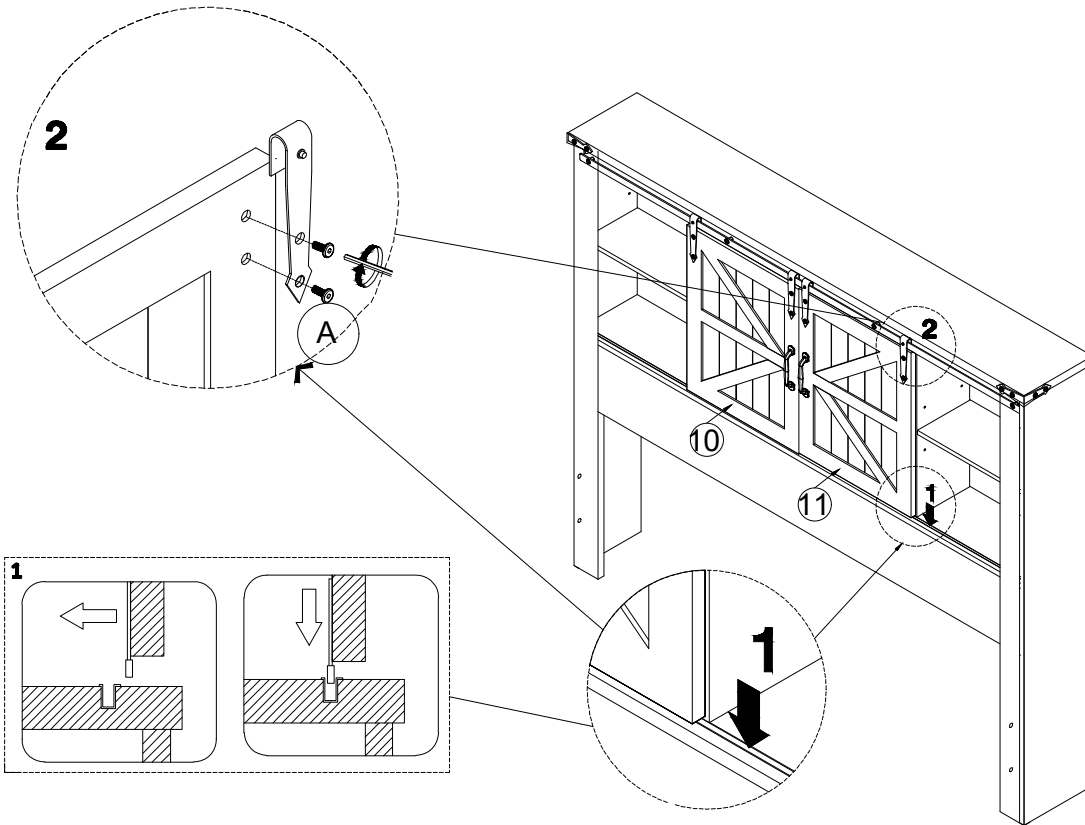
R		4PCS
---	---	------


## 18



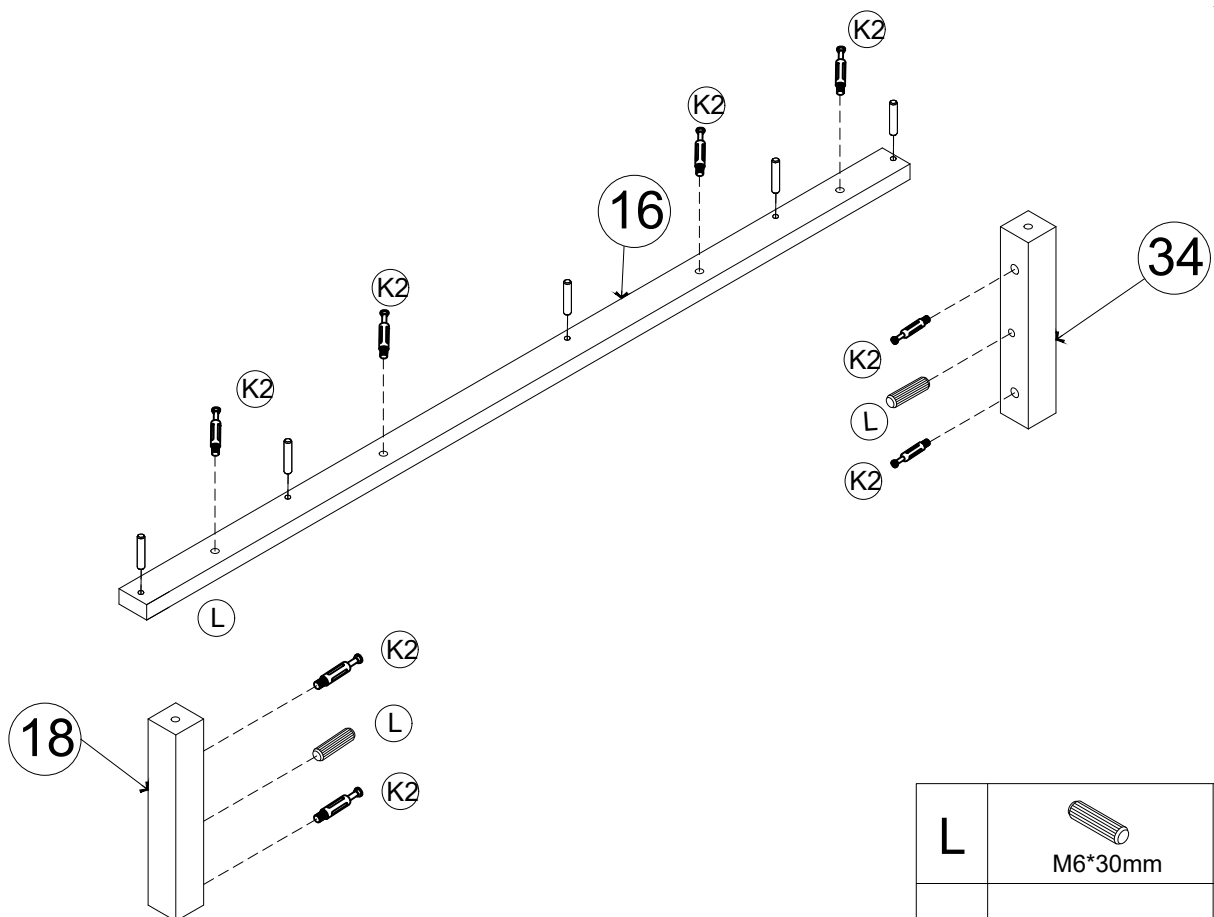
U		2PCS
T		4PCS
H	 M4*12mm	16PCS
V		4PCS

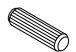
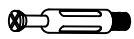
## 19



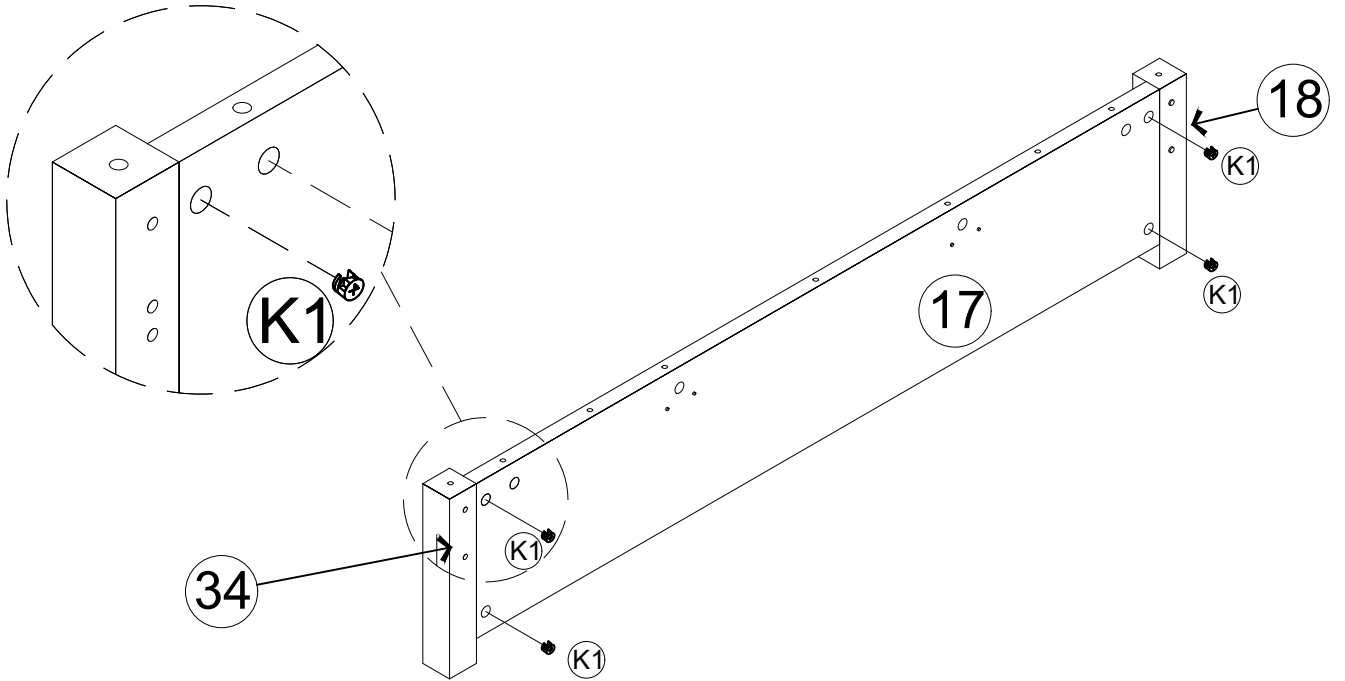
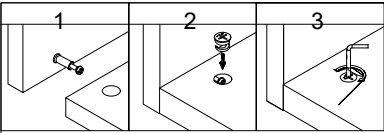
A	 M6*11mm	8PCS
---	--	------

## 20



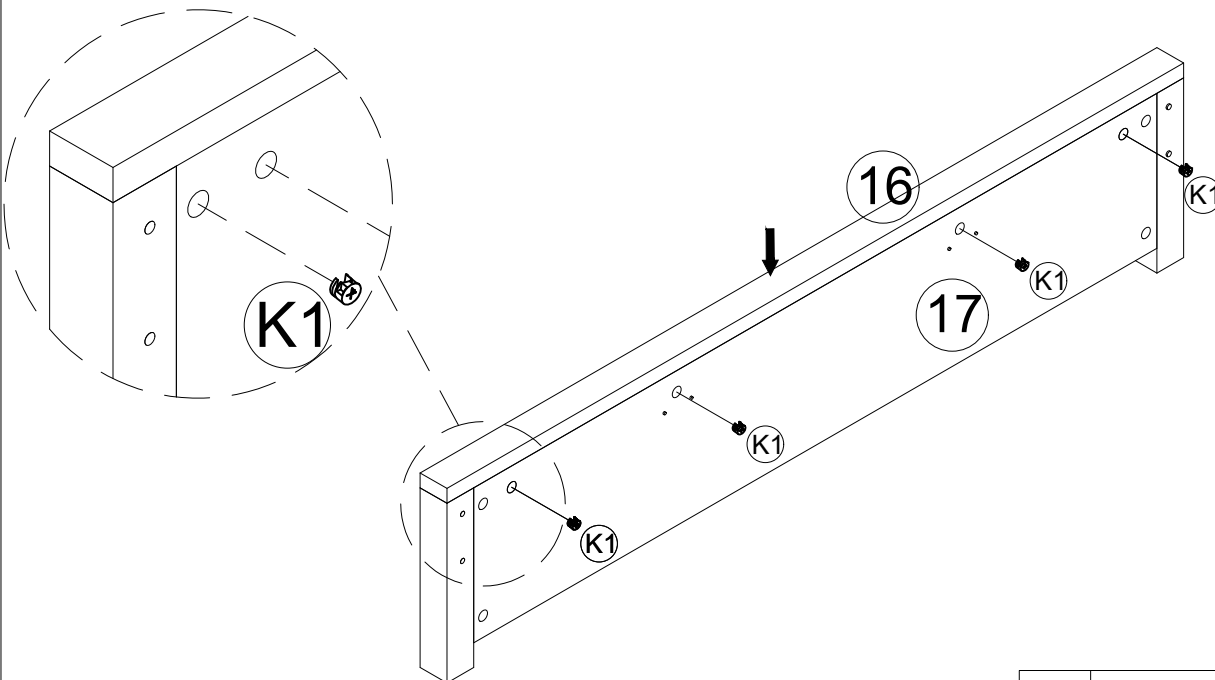
L	 M6*30mm	7PCS
K2		8PCS

## 21



K1		4PCS
----	--	------

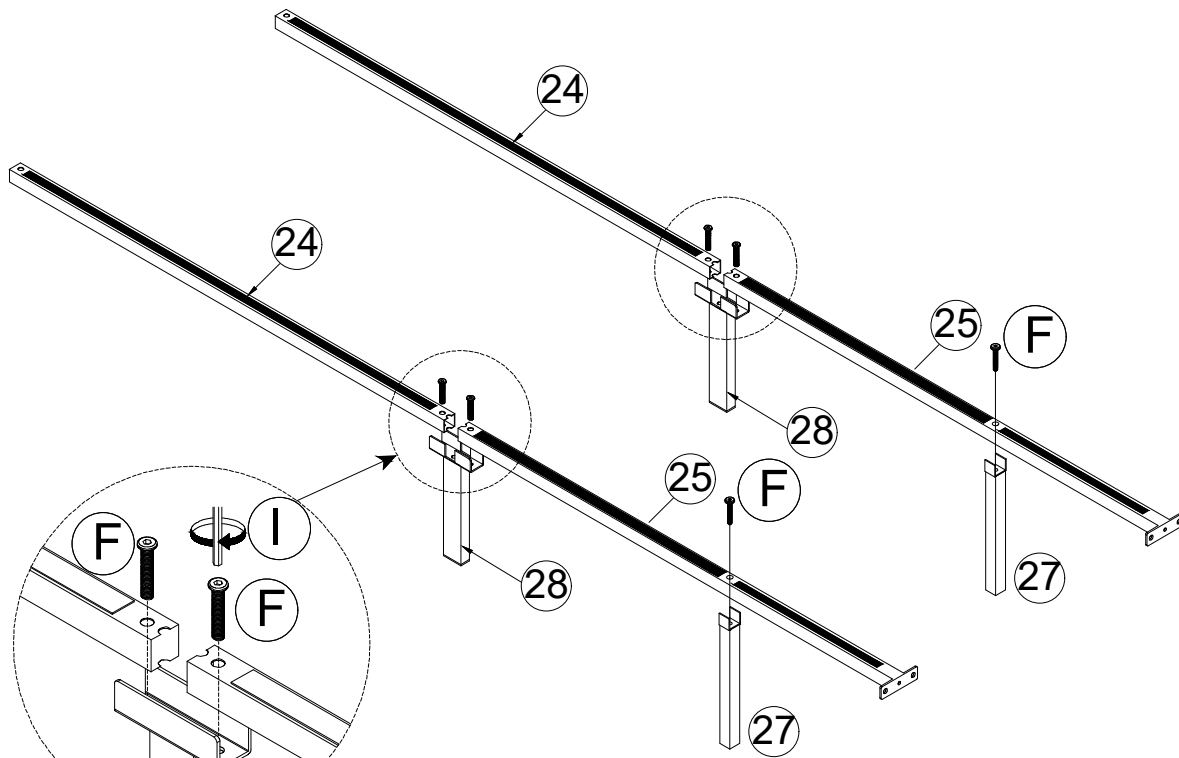
## 22




K1		4PCS
----	--	------

The side with Sponge-cushion is facing up.

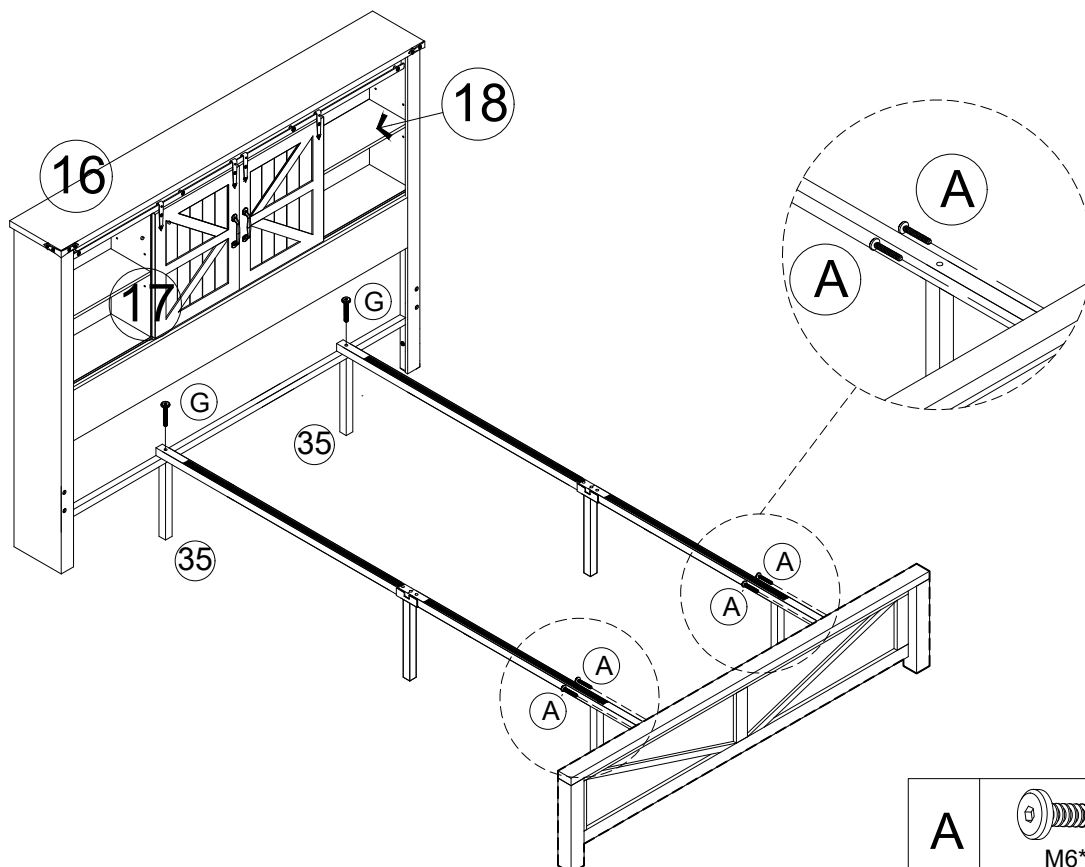
## 23

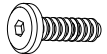



Pay attention to

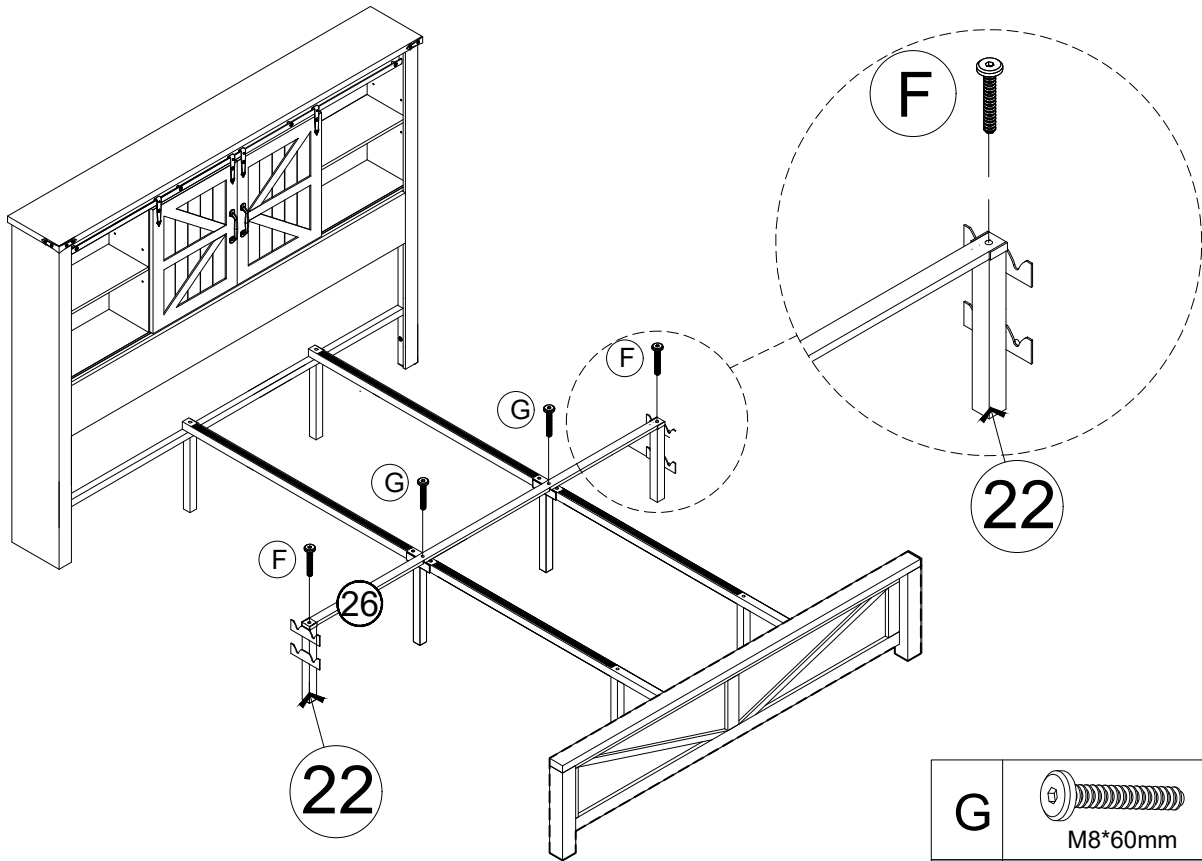
F	 M8*35mm	6PCS
---	--	------



## 24



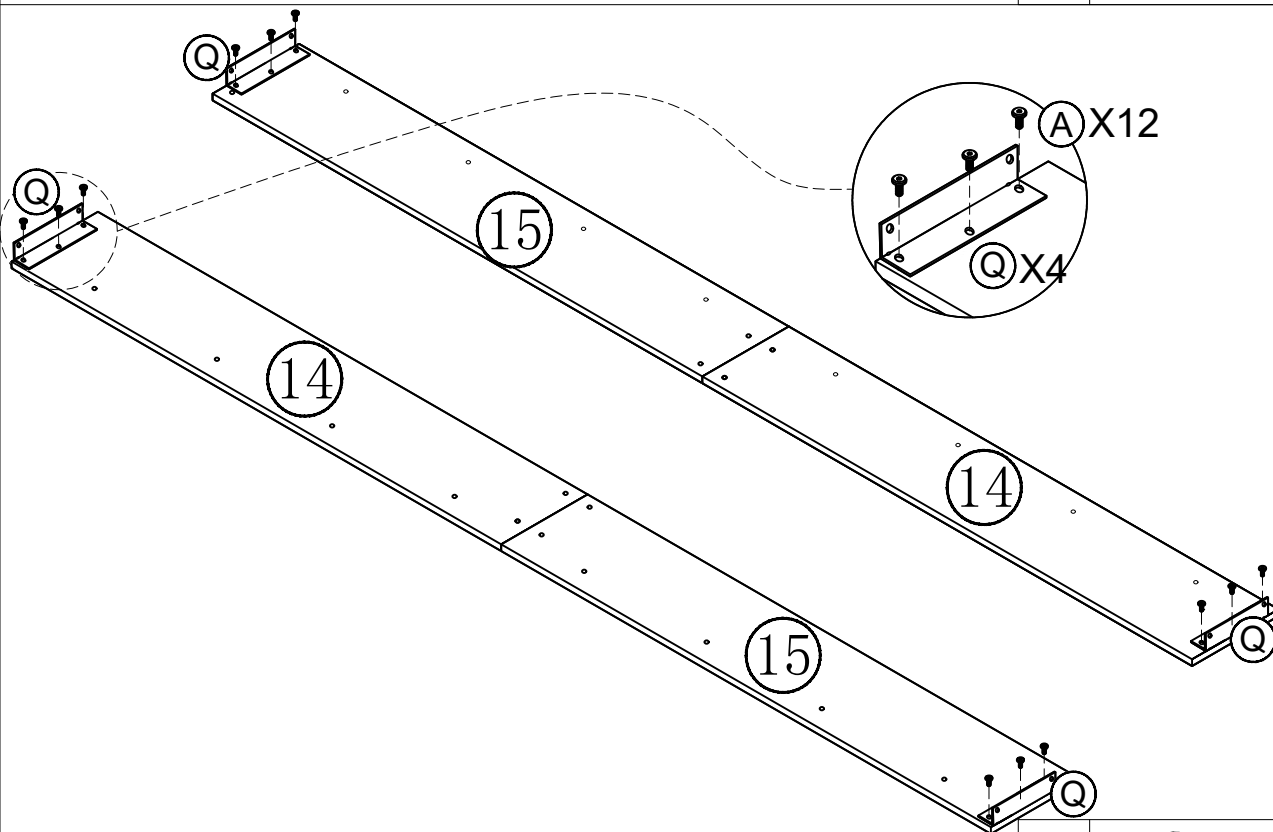
A	 M6*11mm	4PCS
G	 M8*60mm	2PCS



## 25



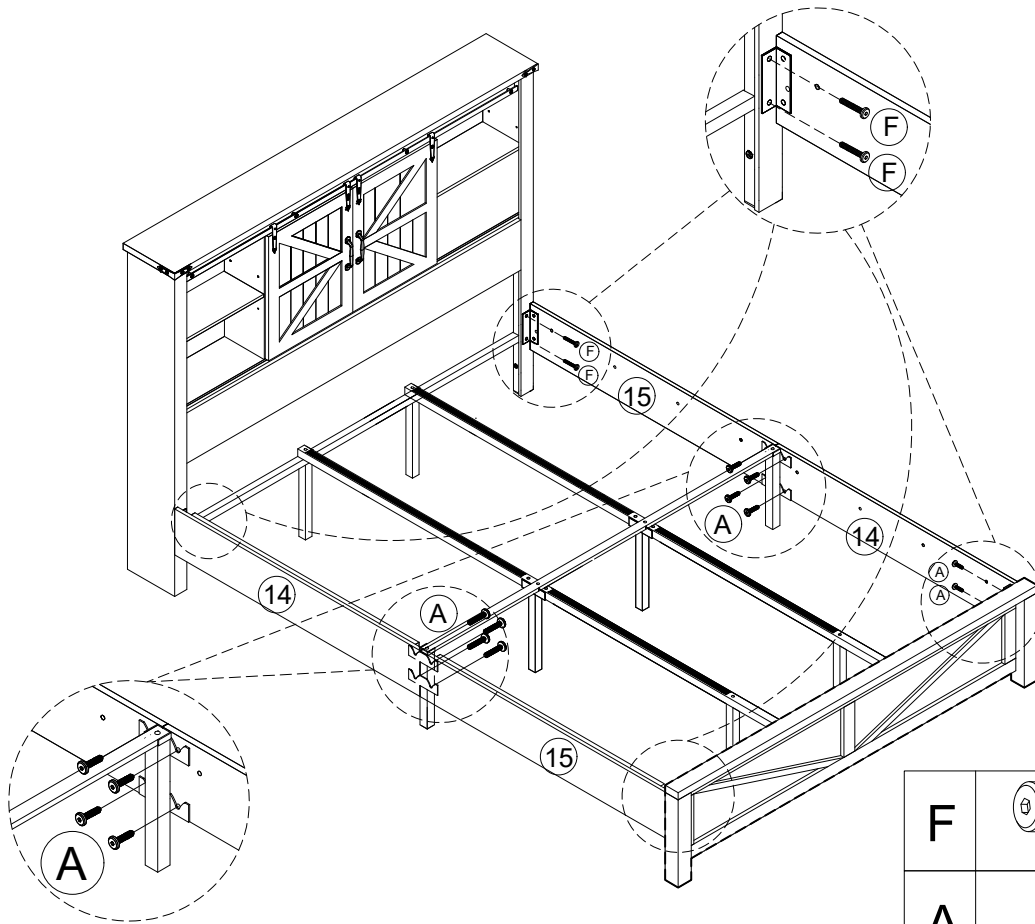
G	 M8*60mm	2PCS
F	 M8*35mm	2PCS

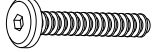
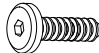
## 26



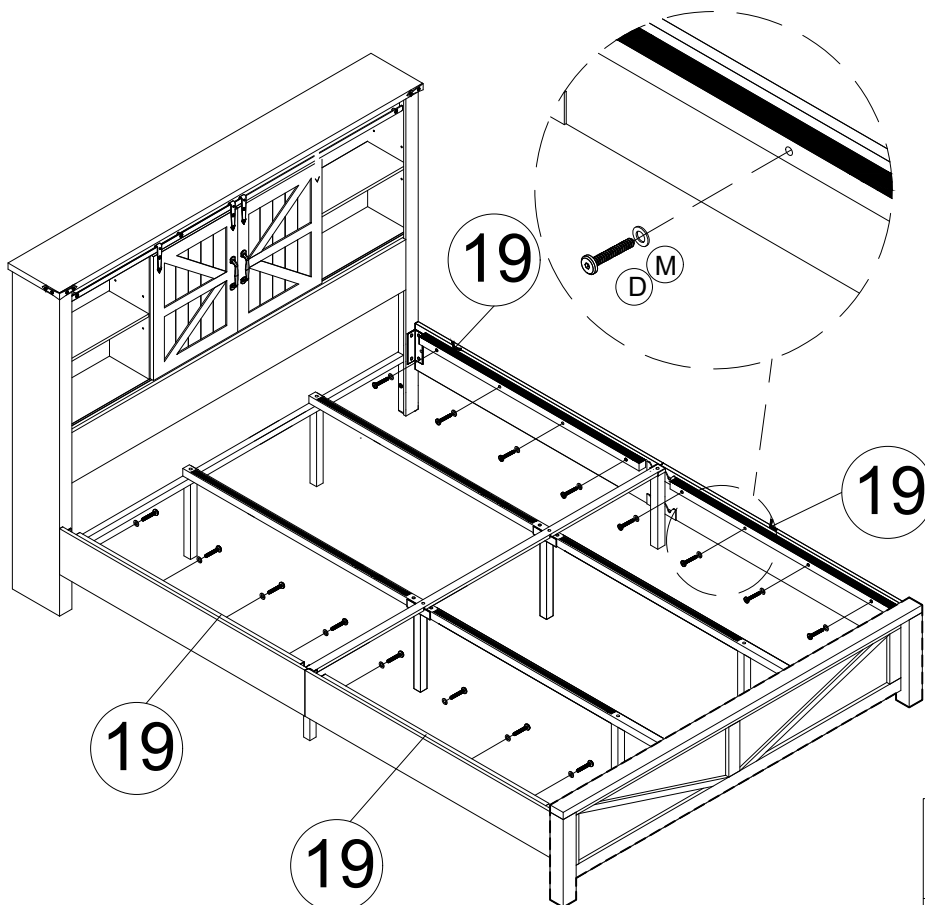
A	 M6*11mm	12PCS
Q		4PCS


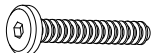
## 27



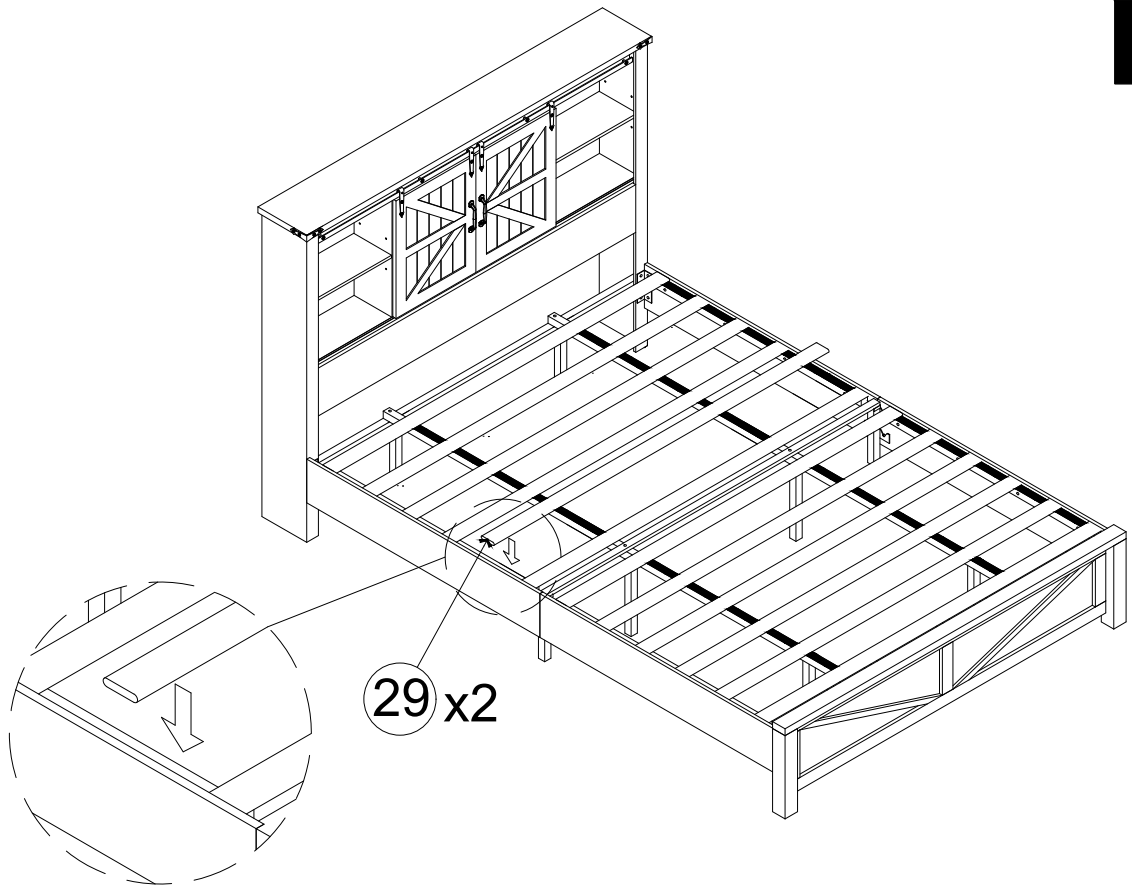
F	 M8*35mm	4PCS
A	 M6*11mm	12PCS

## 28

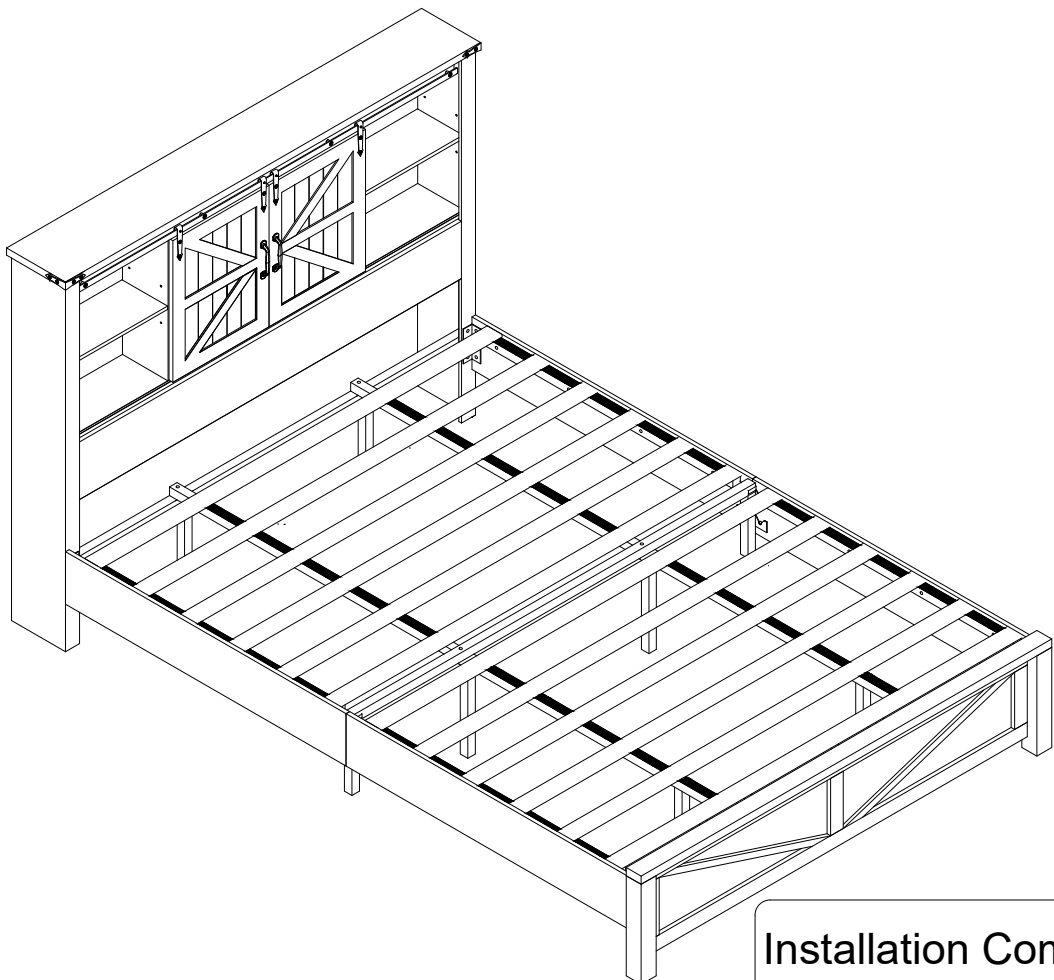


M		16PCS
D	 M6*35mm	16PCS

29



30



Installation Complete