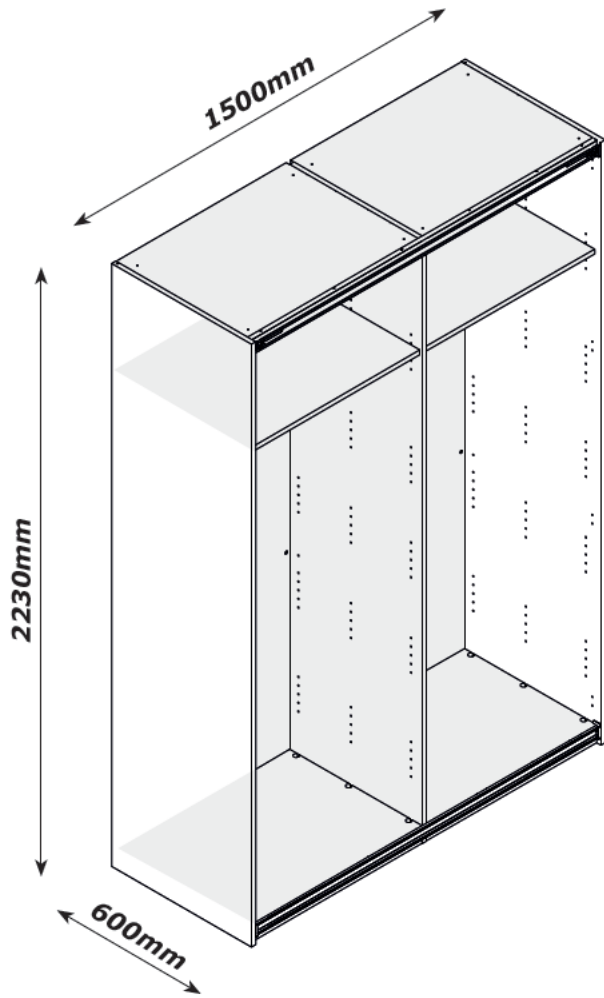
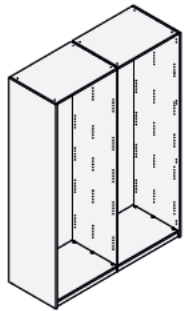
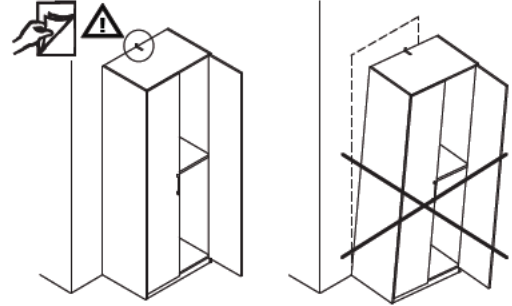
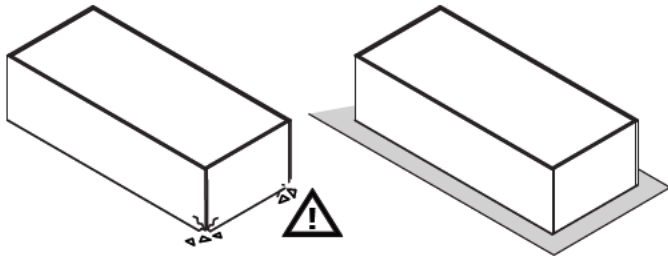
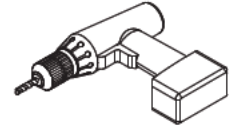
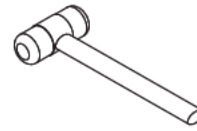
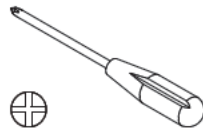


**2x AN**





4h



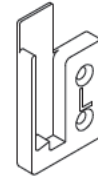
**K181** x1  
L. 1461mm



**K182** x1  
L. 1458mm



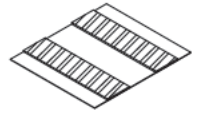
**W330** x2  
L. 715mm



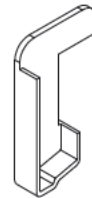
**h** x1  
30x6x53mm



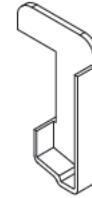
**i** x1  
30x6x53mm



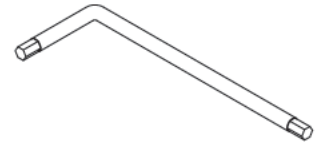
**j** x1  
9x35x0,5mm



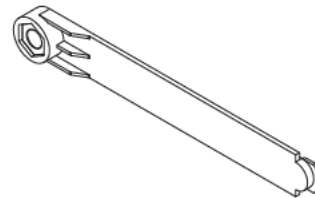
**k** x1  
32,5x9x51,5mm



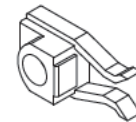
**l** x1  
32,5x9x51,5mm



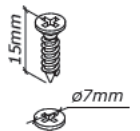
**H176**  
x1



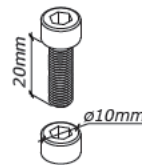
**m** x2  
118x9,5x15mm



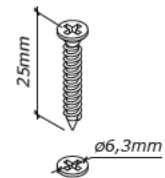
**n** x2  
42x15x21mm



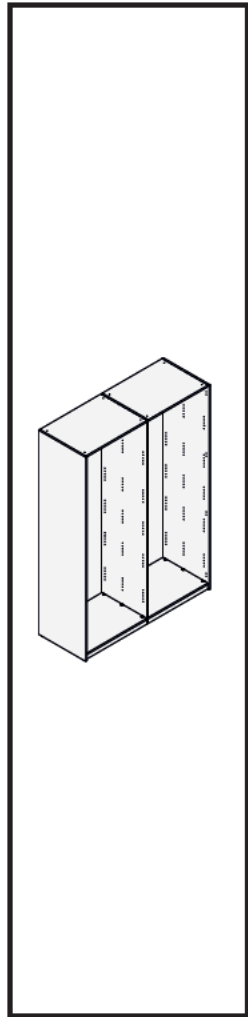
**V5**  
x14



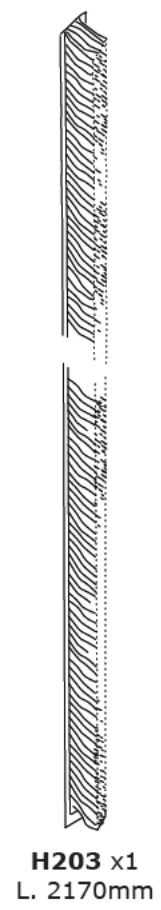
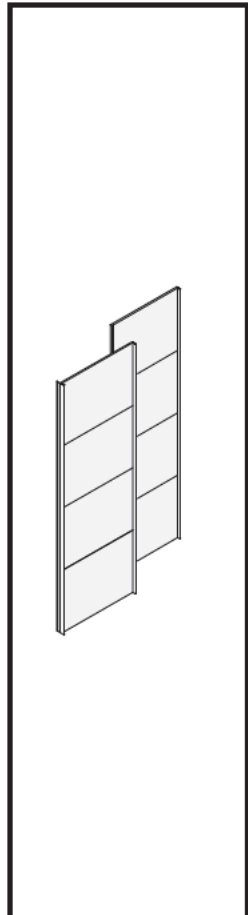
**V188**  
x2



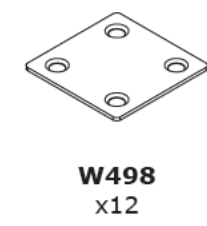
**V119**  
x10



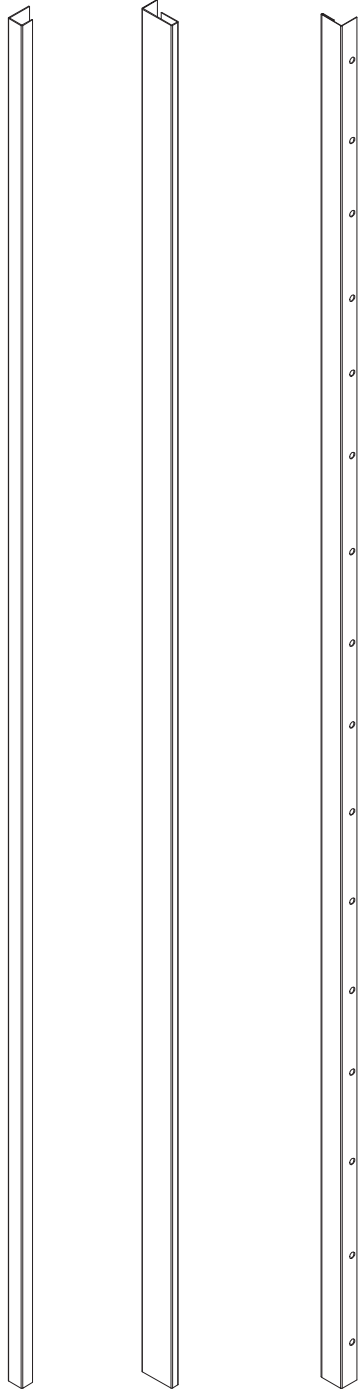
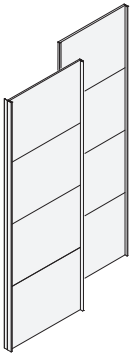
- |                           |                           |                            |                            |                           |                            |                            |
|---------------------------|---------------------------|----------------------------|----------------------------|---------------------------|----------------------------|----------------------------|
| <p><b>V87</b><br/>x8</p>  | <p><b>V71</b><br/>x12</p> | <p><b>V175</b><br/>x32</p> | <p><b>R34</b><br/>x4</p>   | <p><b>R5</b><br/>x12</p>  | <p><b>H289</b><br/>x6</p>  | <p><b>T127</b><br/>x24</p> |
| <p><b>T69</b><br/>x12</p> | <p><b>P16</b><br/>x6</p>  | <p><b>H15</b><br/>x12</p>  | <p><b>H141</b><br/>x12</p> | <p><b>T53</b><br/>x6</p>  | <p><b>T129</b><br/>x12</p> | <p><b>V81</b><br/>x4</p>   |
| <p><b>V5</b><br/>x6</p>   | <p><b>H322</b><br/>x8</p> | <p><b>P17</b><br/>x2</p>   | <p><b>H185</b><br/>x2</p>  | <p><b>H129</b><br/>x4</p> |                            |                            |



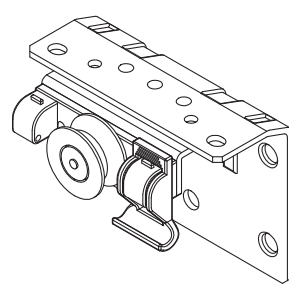
- |                            |                           |
|----------------------------|---------------------------|
| <p><b>V102</b><br/>x88</p> | <p><b>V87</b><br/>x32</p> |
|----------------------------|---------------------------|



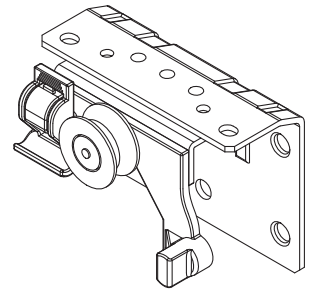
CF



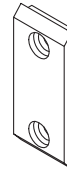
**M1** x1 L. 2178mm    **M2** x3 L. 2178mm    **FW** x1 L. 2178mm



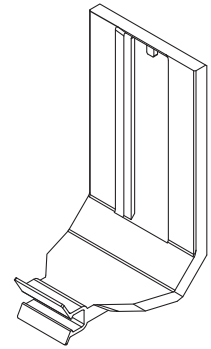
**a** x1  
80x51x60mm



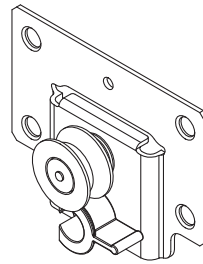
**b** x1  
80x51x60mm



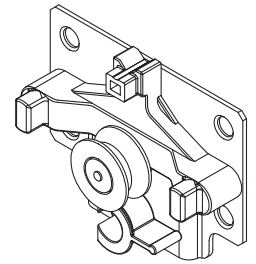
**c** x4  
21x5x49mm



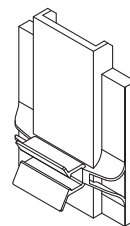
**d** x2  
44x48x84mm



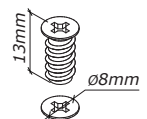
**e** x1  
80x22x60mm



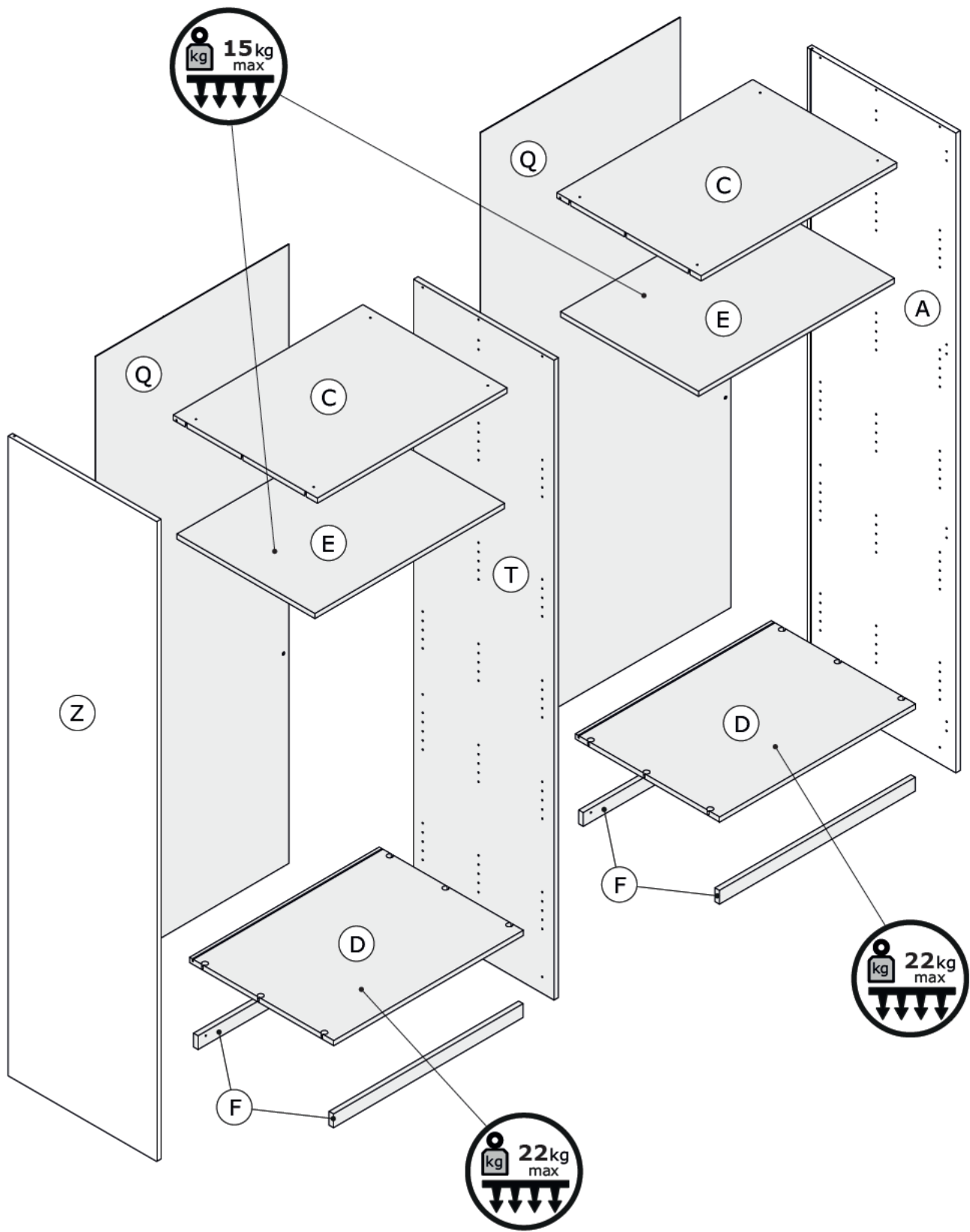
**f** x1  
80x22x62mm



**g** x2  
44x19x60mm



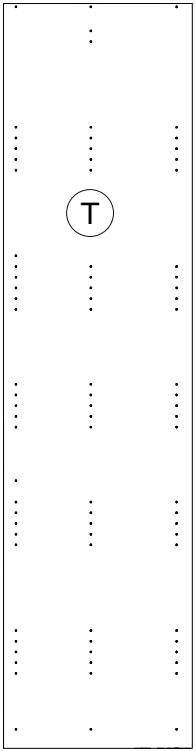
V187  
X24



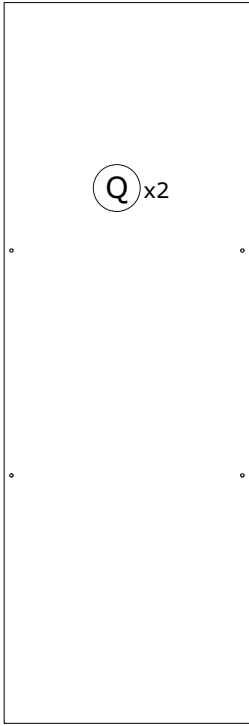
kg 15 kg max

kg 22 kg max

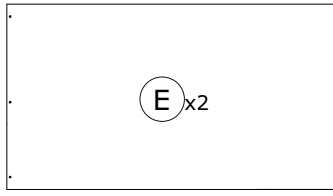
kg 22 kg max



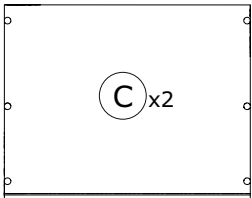
2226x564x18mm



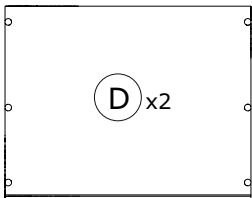
2154x738x2,3mm



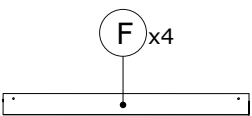
723x554x18mm



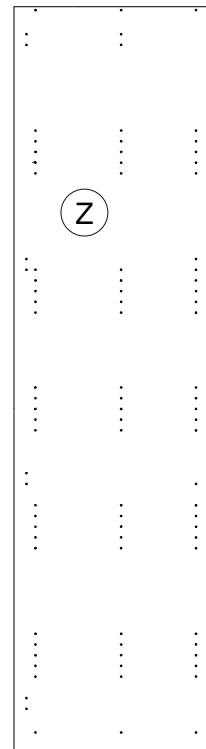
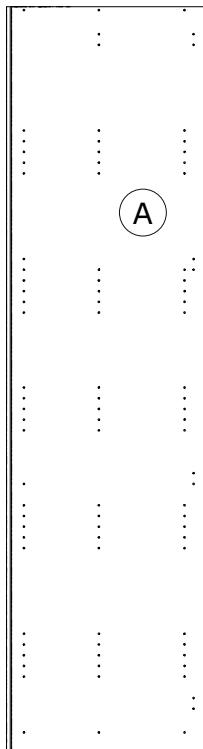
723x579x18mm



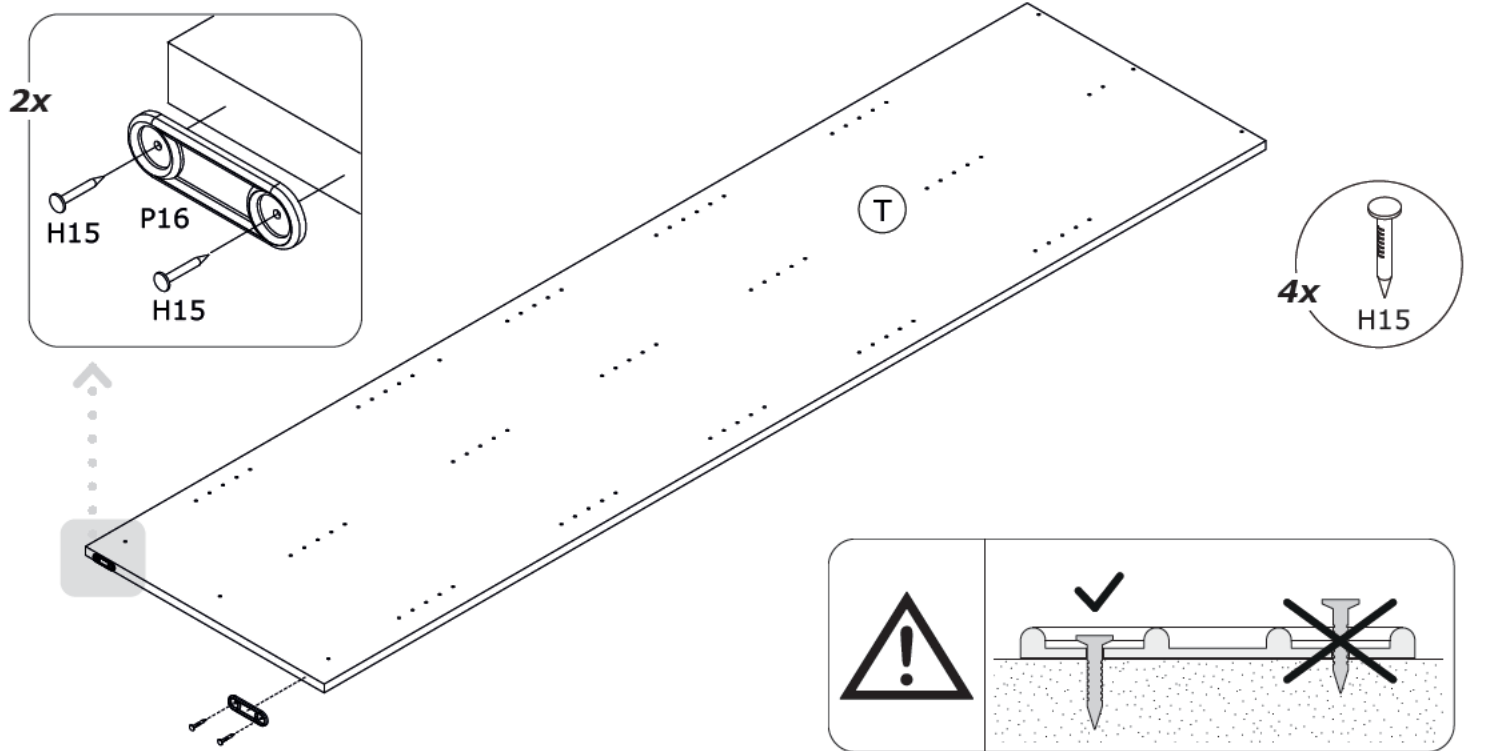
723x579x18mm



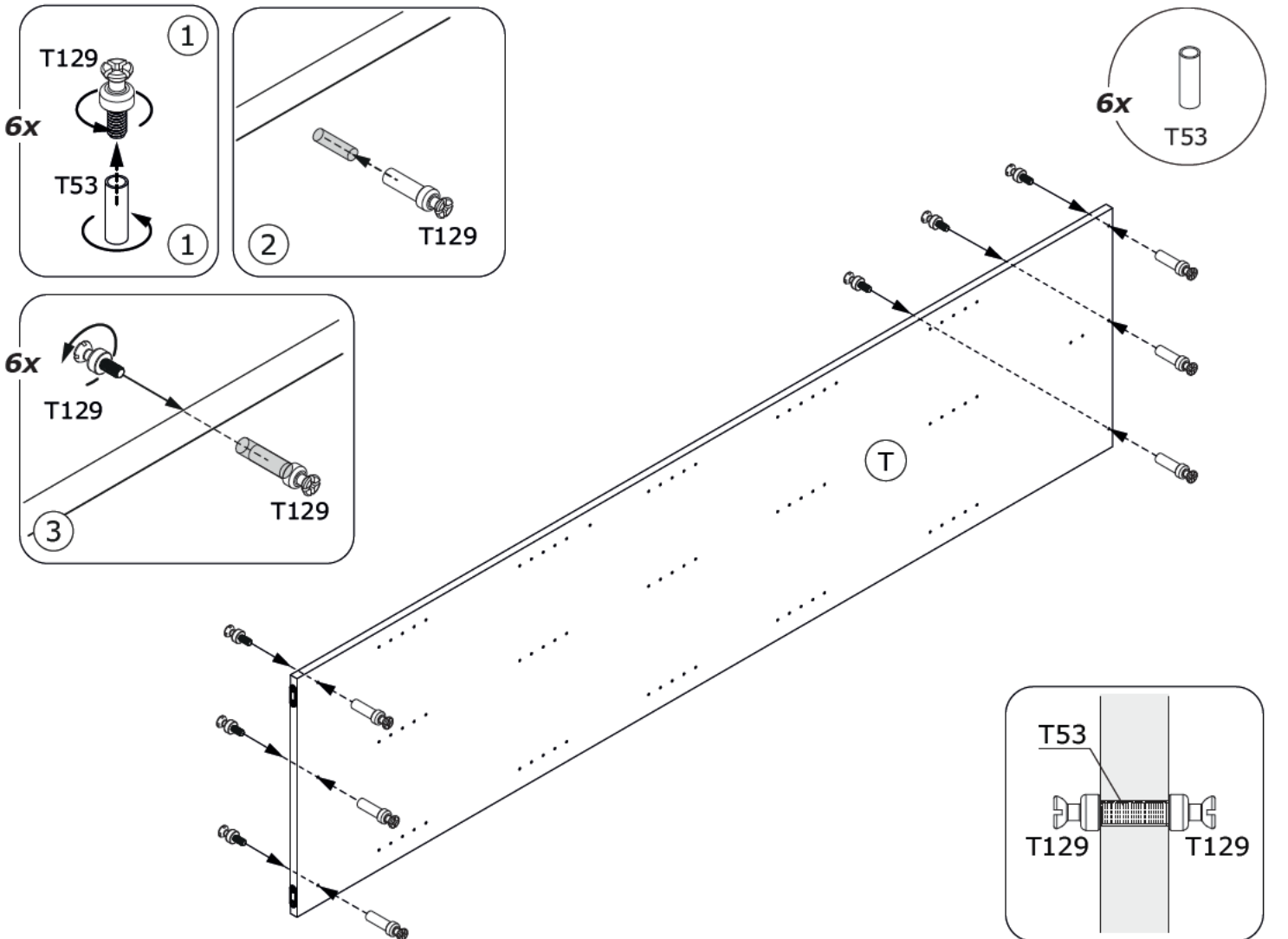
723x48x18mm



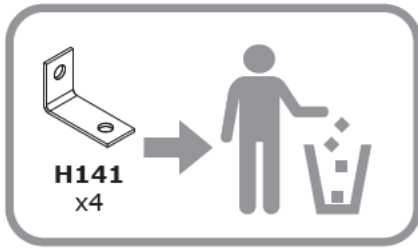
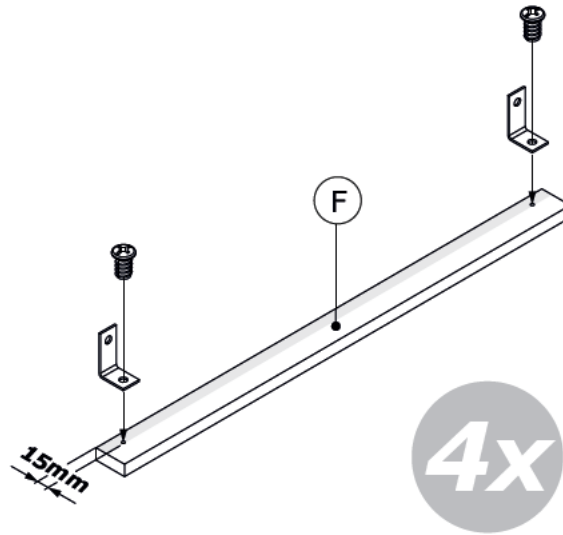
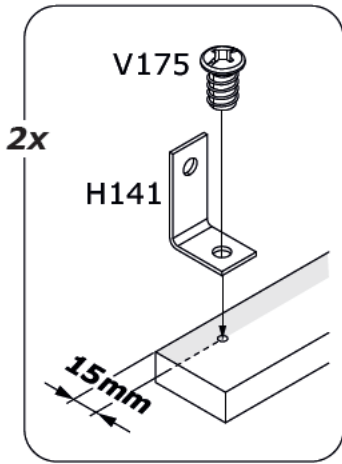
1



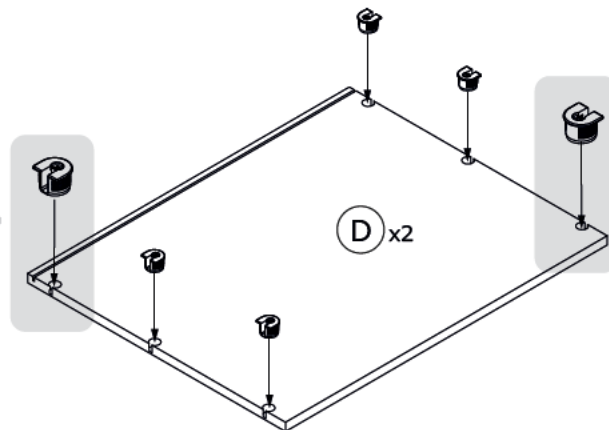
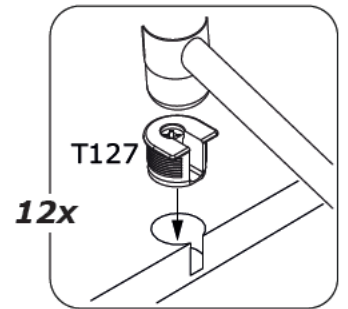
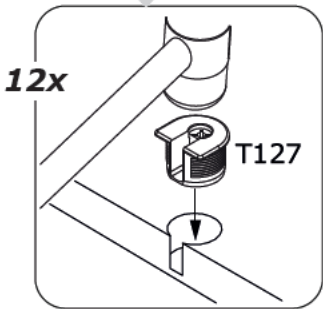
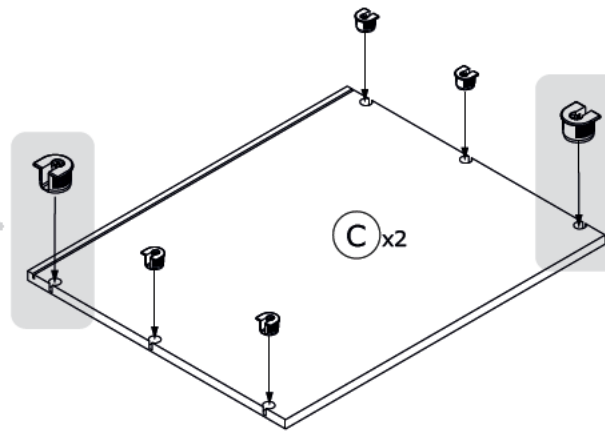
2



4

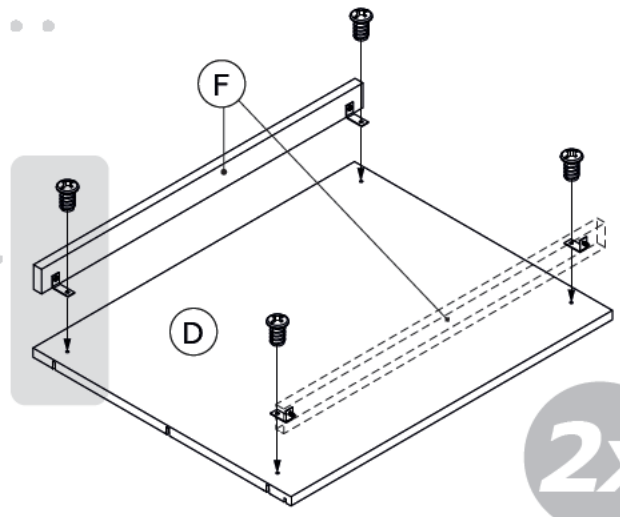
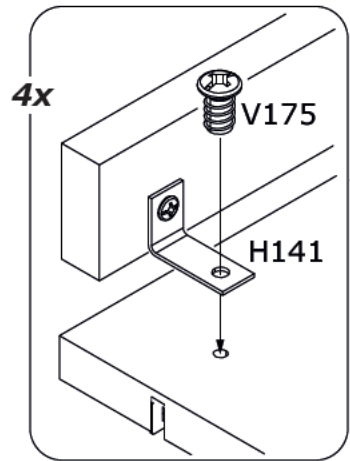
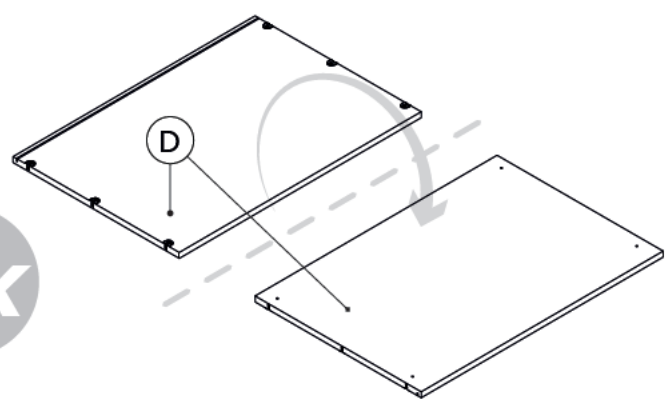


3



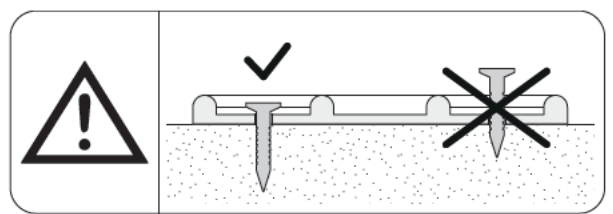
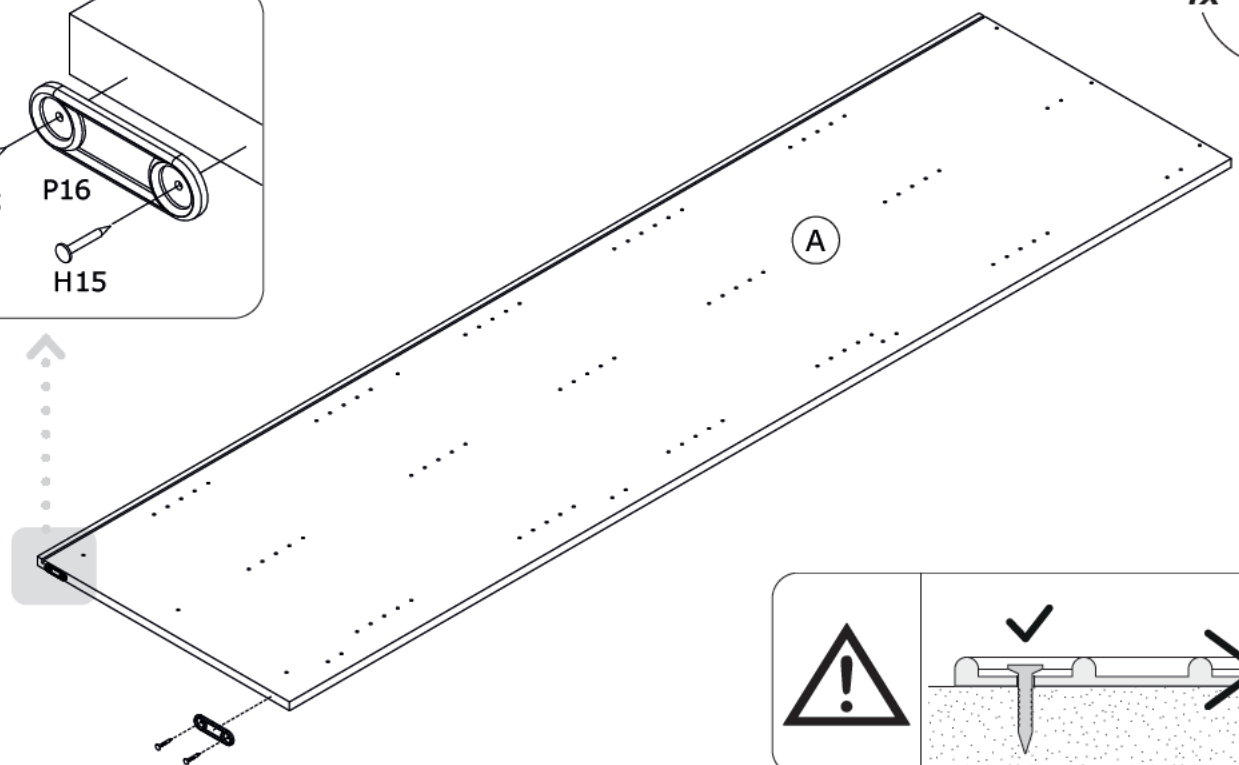
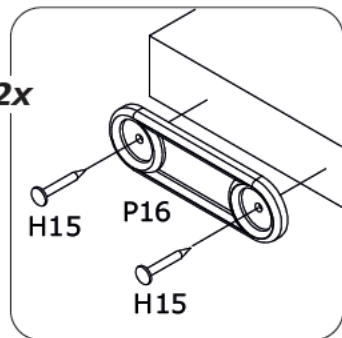
5

2x

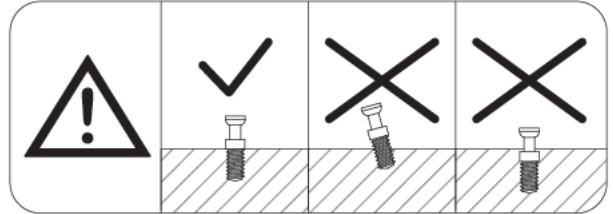
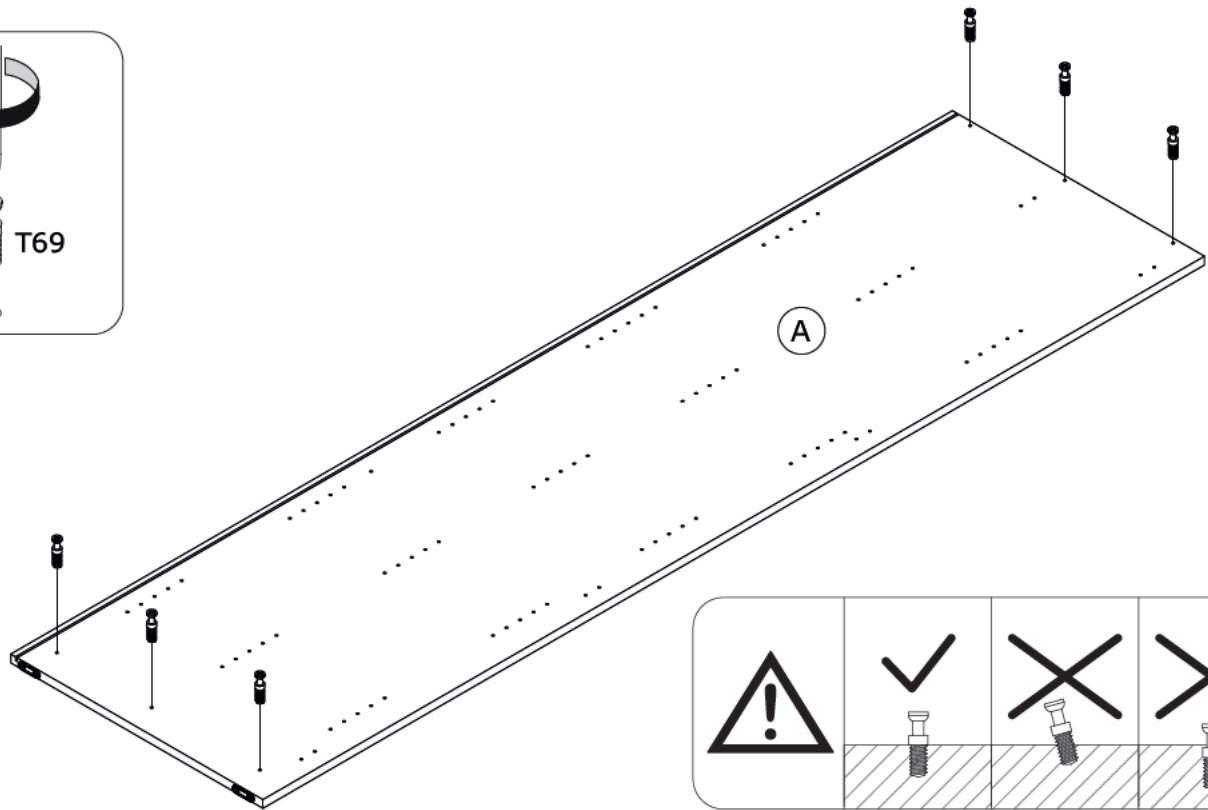
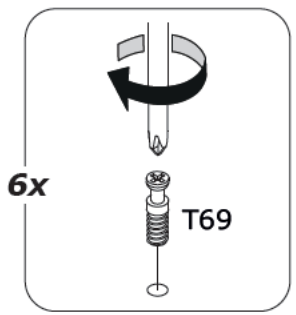


6

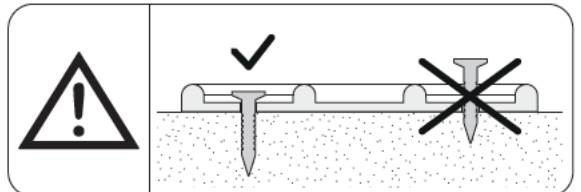
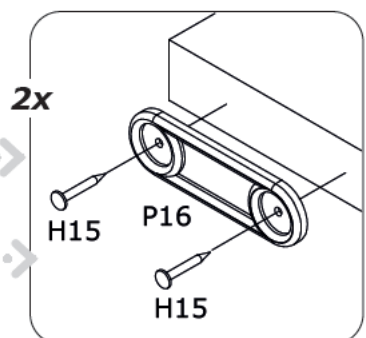
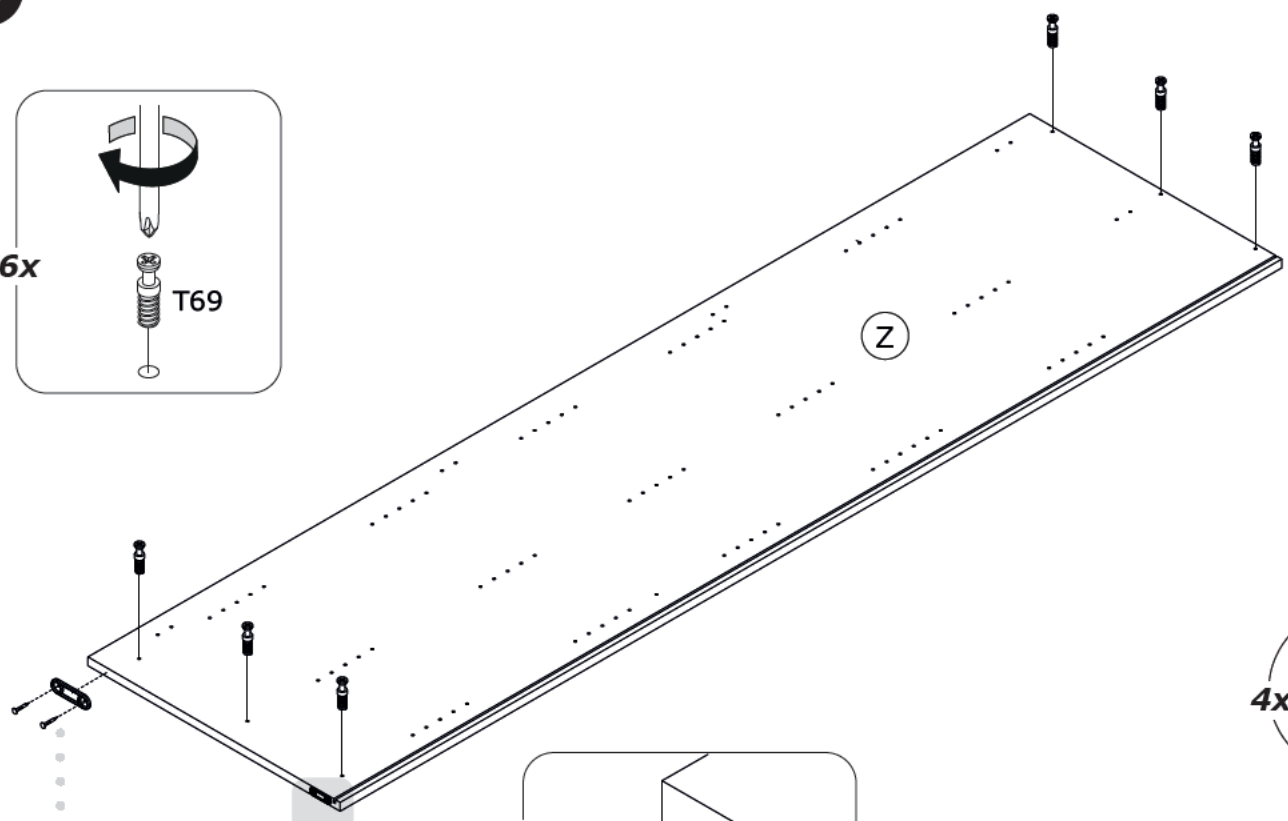
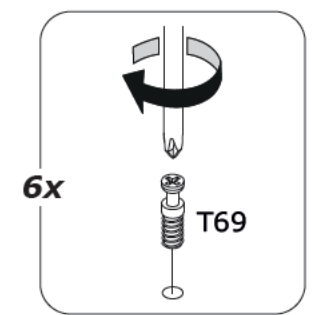
2x



7



8



9

