

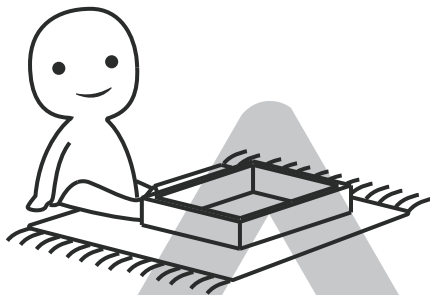
INSTALLATION

Product Manual



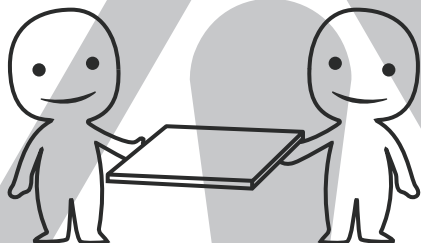
IMPORTANT INFORMATION!

please read the entire manual before starting to assemble and/or using this product. follow the manual thoroughly and keep it for further reference.



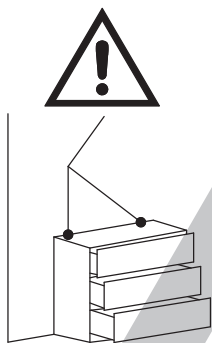
AVOID SCRATCHES!

In order to avoid scratching this furniture should be assembled on a soft layer- could be a rug.



IMPROVE EFFICIENCY !

Try to find a partner to install with you, which can speed up the installation efficiency and shorten the time.



ANTI-TOPPLE WARNING !

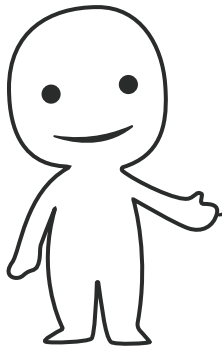
Overturned furniture can cause serious or fatal crush injuries. To prevent tipping over, be sure to use the wall attachment, if not included with this product. Please purchase the wall attachment that fit your wall. If unsure, seek professional advice. Please read and follow each step of the instructions carefully.

IMPORTANT !

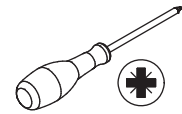
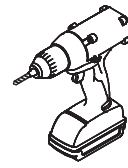
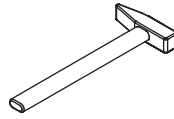
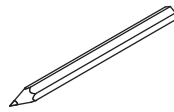
It is important that any product which is assembled using any kind of screw is re-tightened 2 weeks after assembly, and once every 3 months - in order to assure stability through-out the lifespan of the product.

For regular maintenance and cleaning of the product, for the frame, please use a rag dipped in neutral detergent to fully wipe it, and then dry it with a clean rag. For glass materials, wipe with a rag dampened with water glass cleaner, and then dry with a dry rag.

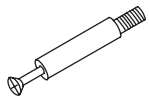
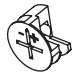

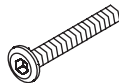

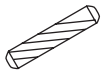





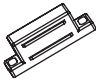



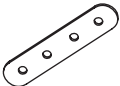

Do not use an electric screwdriver, and do not use too much force when installing, because the board is easy to break.

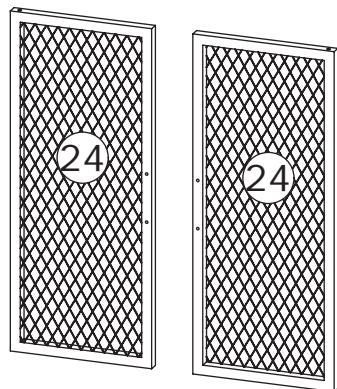
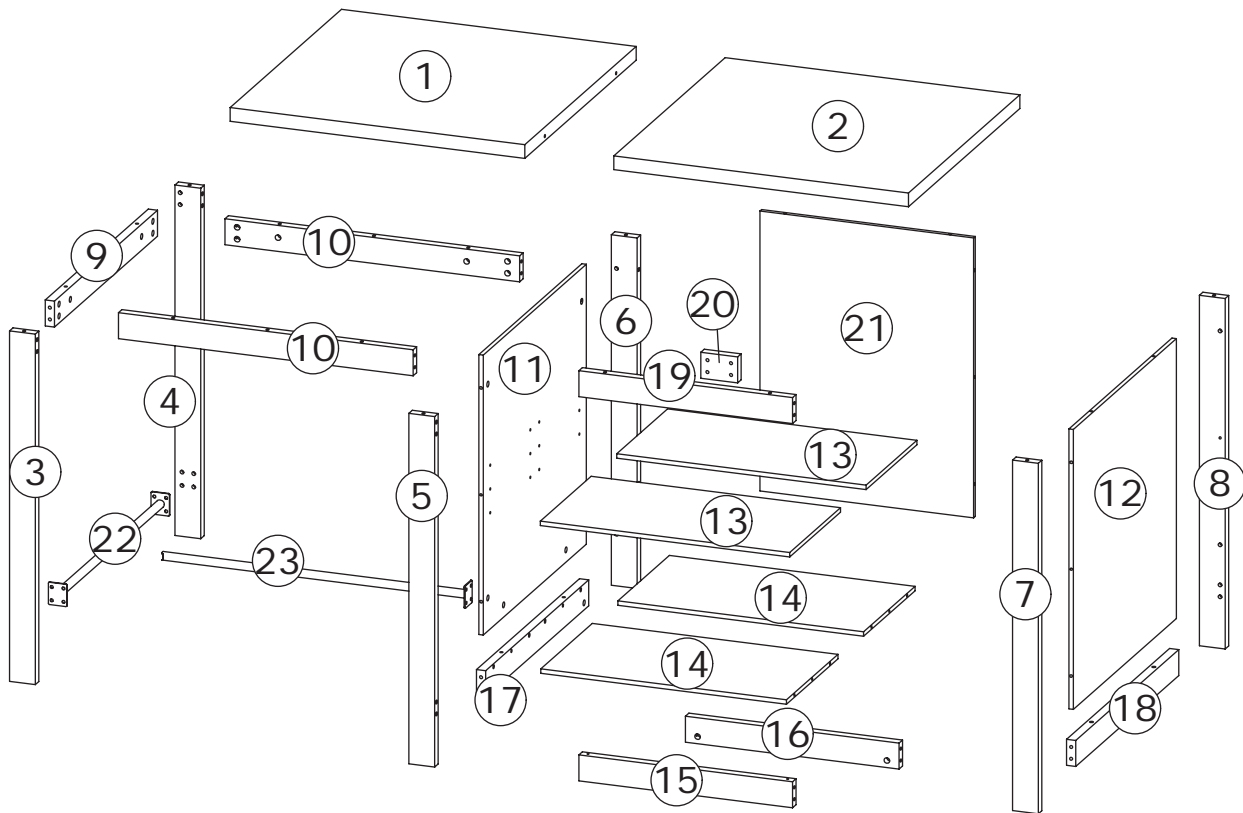


Please prepare the following tools



When installing, please carefully confirm whether each screw corresponds to the manual, accessories with similar shapes can be distinguished by size

<p>A x 60</p>  <p>M6 x 40 mm</p>	<p>B x 60</p>  <p>Ø 15 x 10 mm</p>	<p>C x 8</p> 	<p>D x 2</p>  <p>M6 x 95 mm</p>	<p>E x 5</p>  <p>M6 x 35 mm</p>
<p>F x 26</p>  <p>Ø 6 x 30 mm</p>	<p>G x 2</p>  <p>M6</p>	<p>H x 4</p> 	<p>I x 4</p>  <p>ST3 x 14 mm</p>	<p>J x 2</p>  <p>110-96</p>
<p>K x 4</p>  <p>M4 x 23 mm</p>	<p>L x 2</p> 	<p>M x 4</p> 	<p>N x 12</p>  <p>M6 x 12 mm</p>	<p>O x 8</p>  <p>ST3 x 14 mm</p>
<p>P x 2</p> 	<p>M4 x 1</p>  <p>M4</p>			



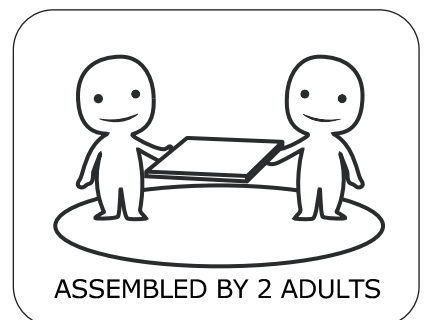
⚠ WARNING



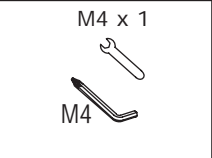
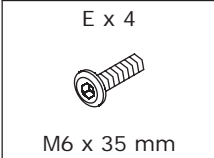
Children have died from furniture tipover. To reduce the risk of furniture tipover:

- ALWAYS install Anti-tip device provided.
- NEVER put a TV on this product.
- NEVER allow children to stand, climb or hang on drawers, doors, or shelves.
- NEVER open more than one drawer at a time.
- Place heaviest items in the lowest drawers.

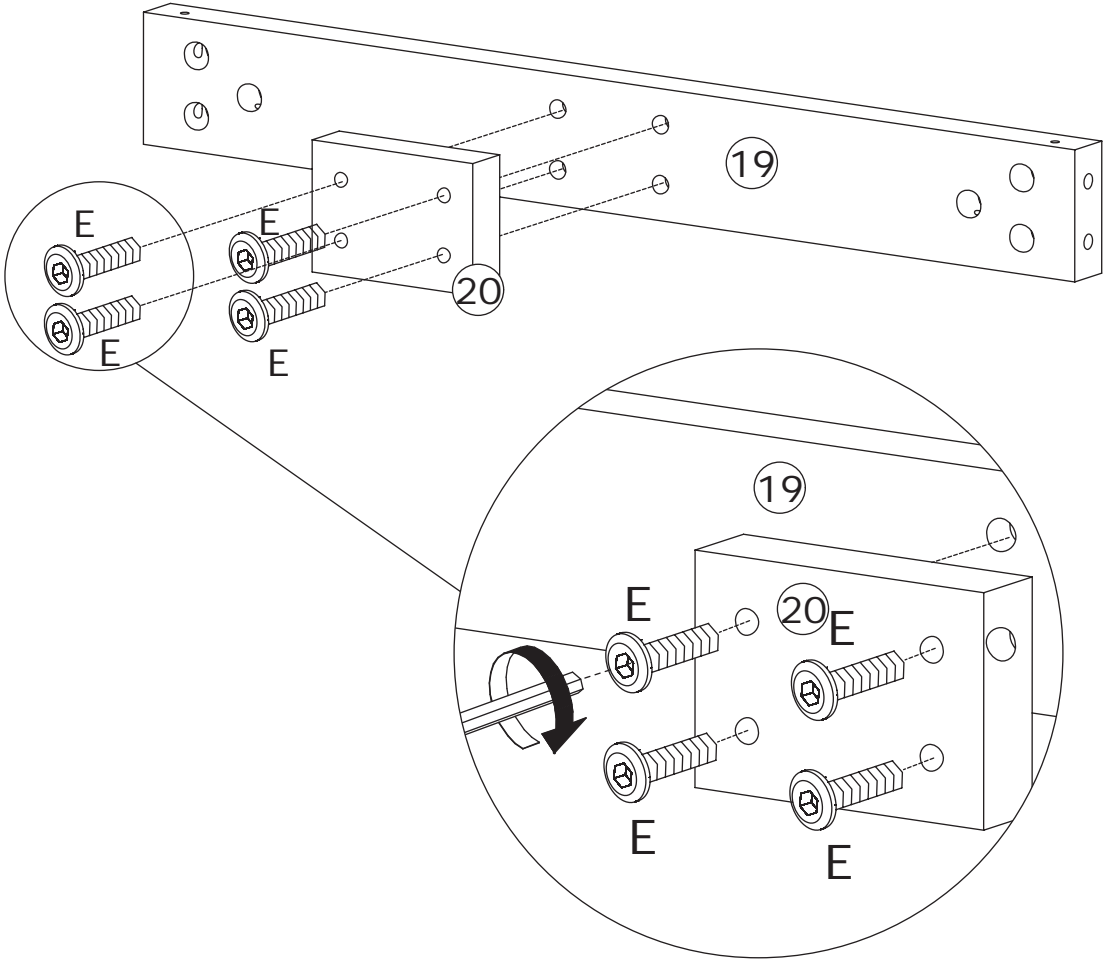
*This is a permanent label.
Do not remove!*



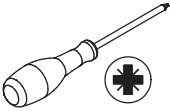
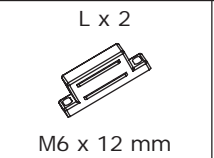
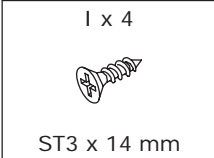
1



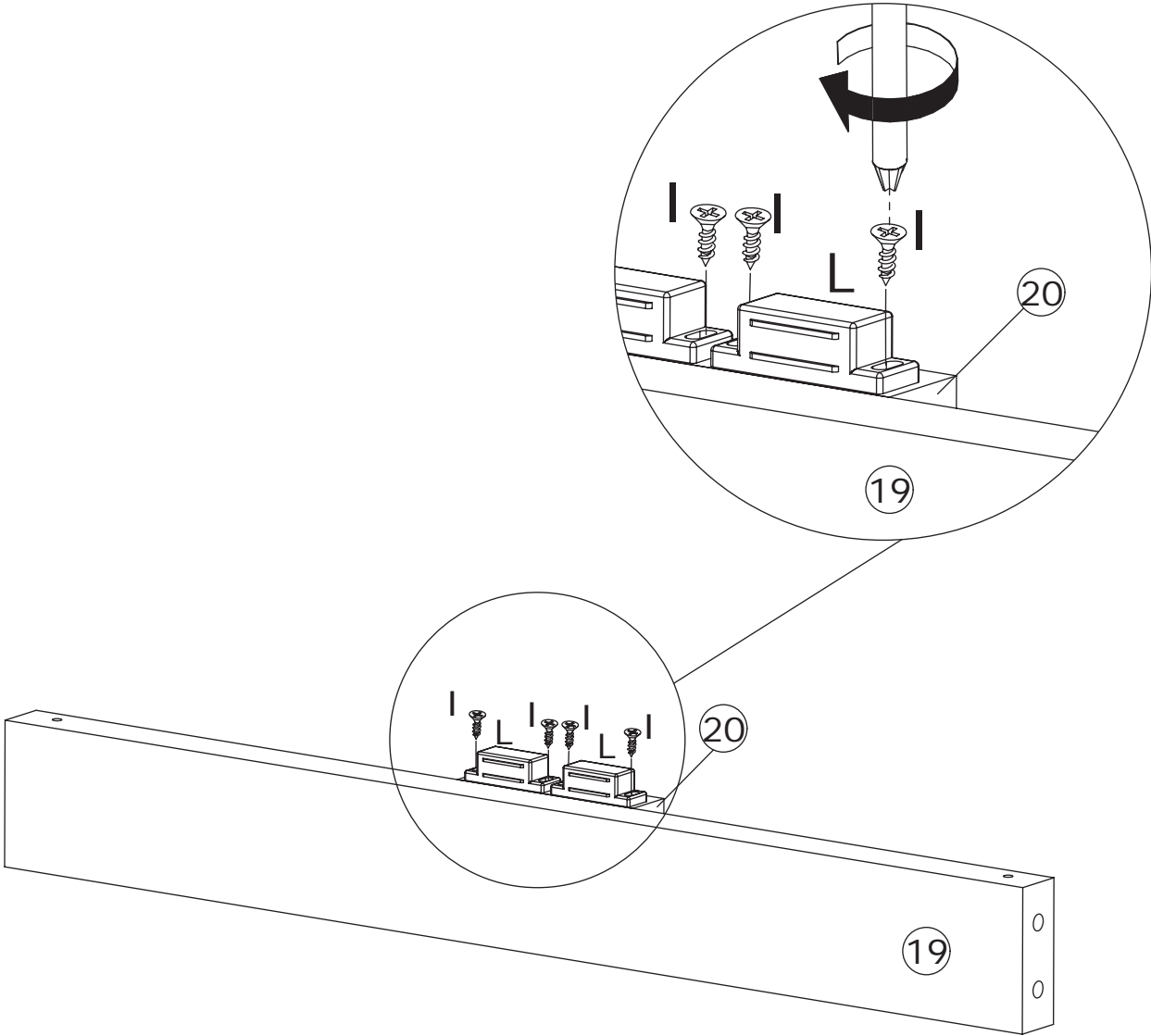
As shown in the figure, use screws (E) to fix Panel 20 to Panel 19.



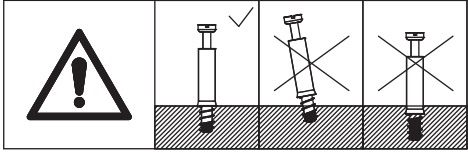
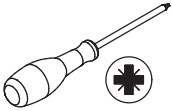
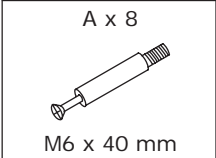
2



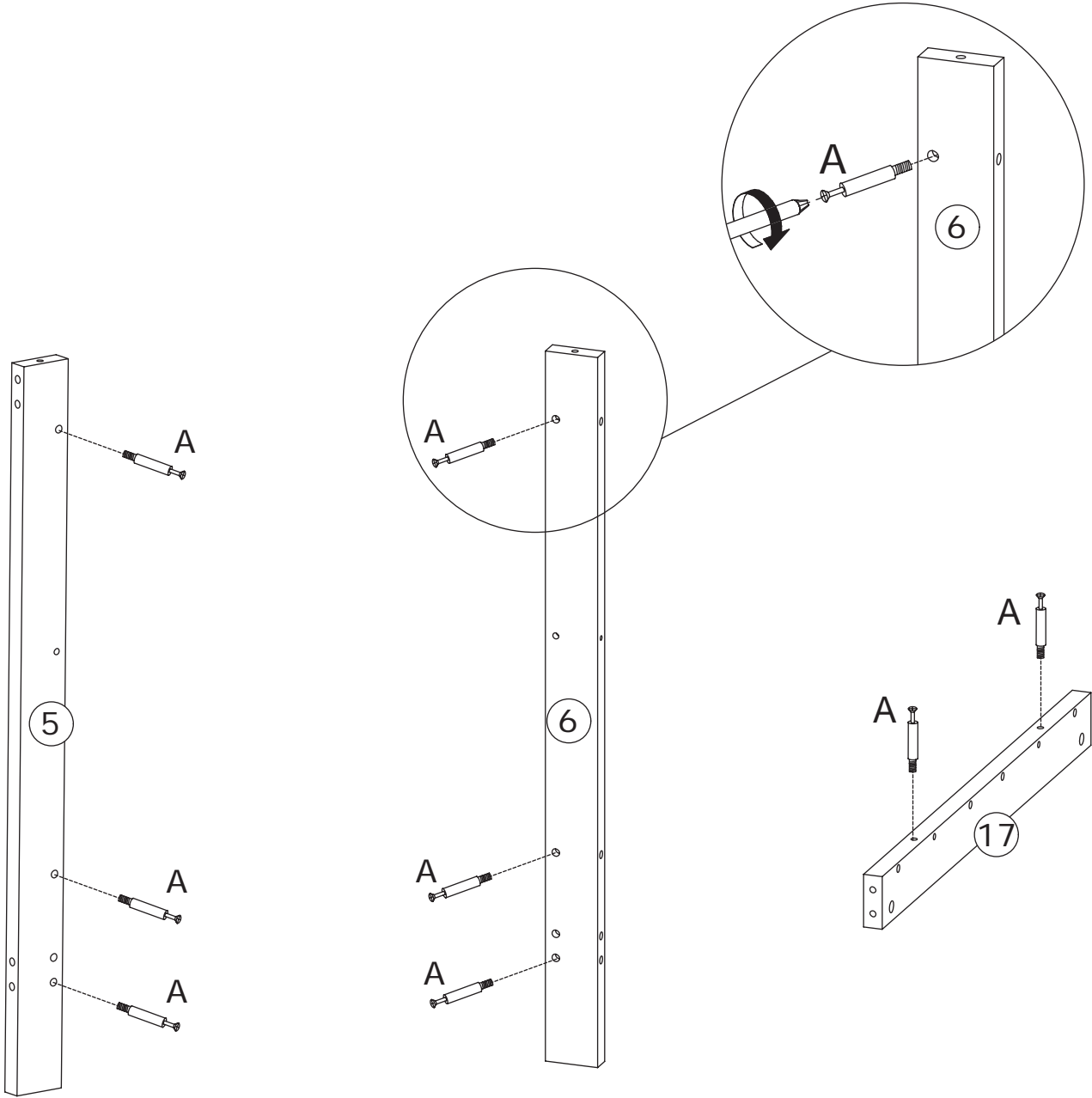
As shown in the figure, use screws (I) to fix the Part (L) to Panel 20.



3



As shown in the figure, screw the self-tapping rod (A) into Panel 5, 6 and 17.

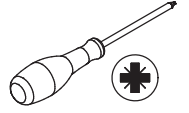


4

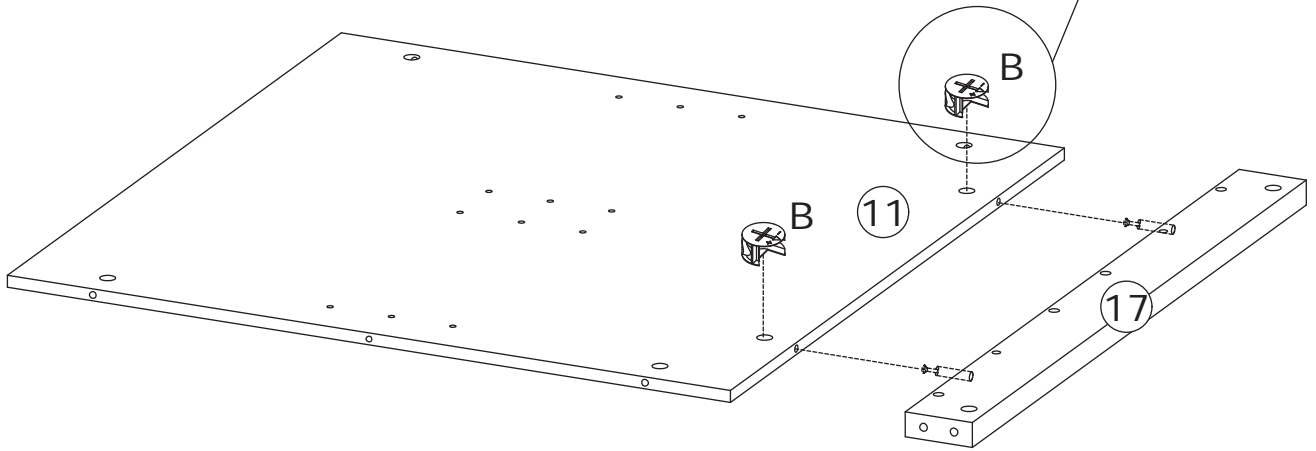
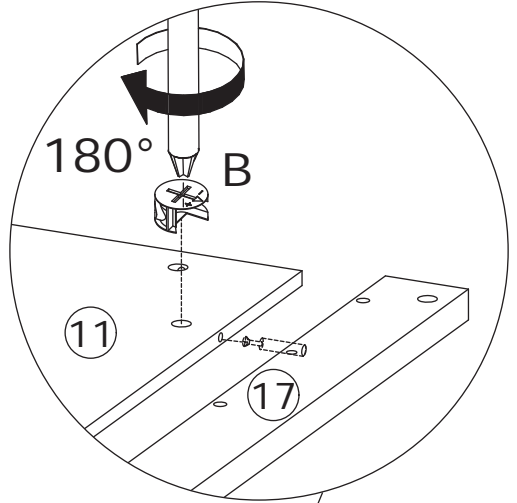
B x 2



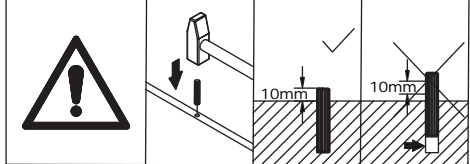
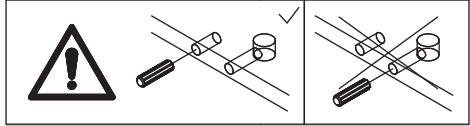
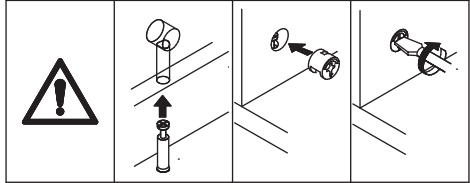
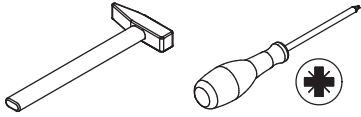
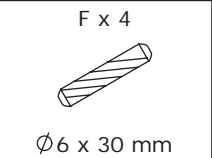
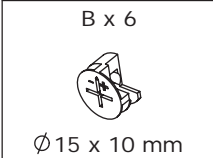
Ø15 x 10 mm



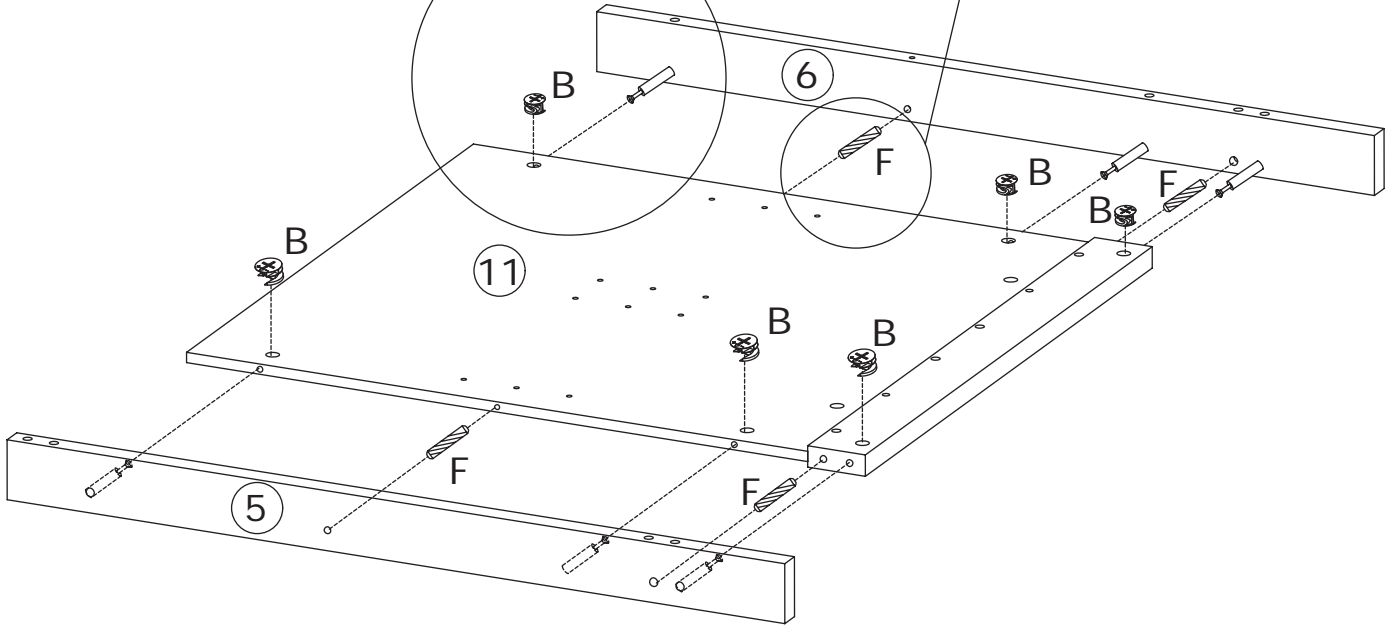
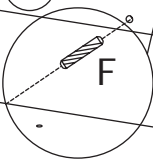
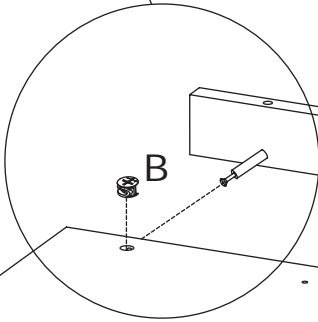
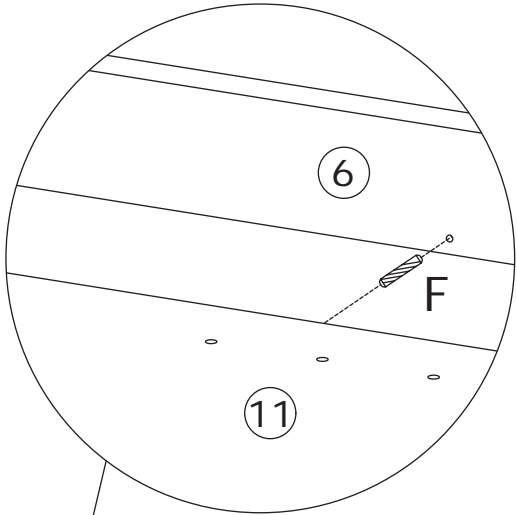
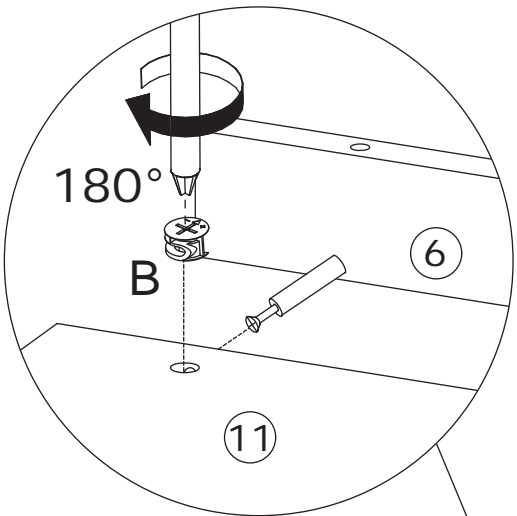
As shown in the figure, connect Panel 17 to Panel 11, then insert the eccentric wheel (B), and tighten it by rotating clockwise.



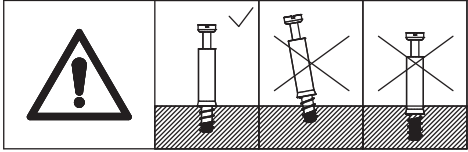
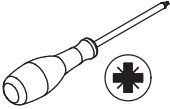
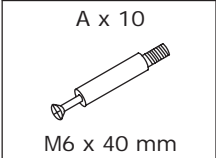
5



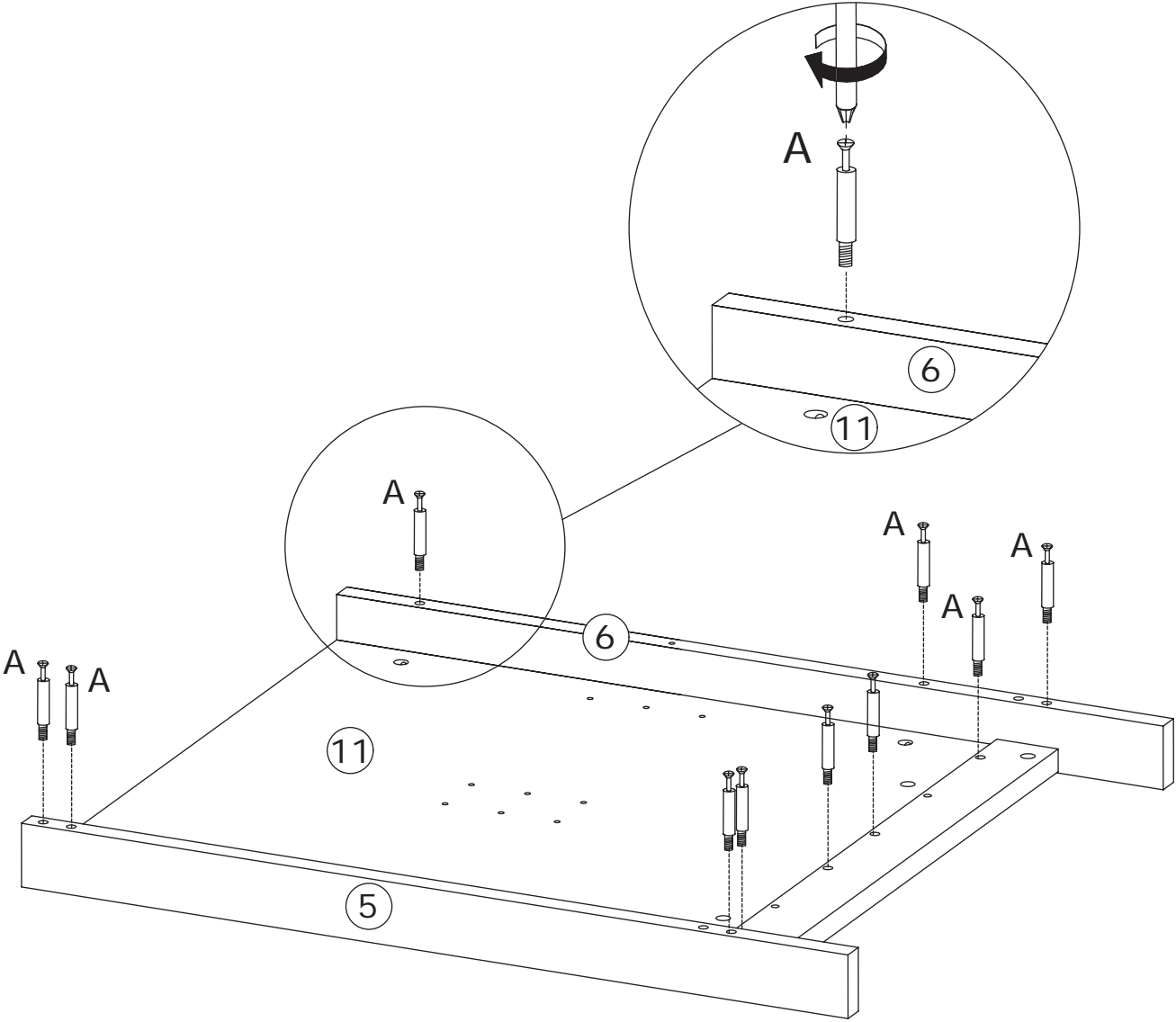
As shown in the figure, use the wooden dowel (F) to connect Panel 6 and Panel 11, then insert the eccentric wheel (B), and tighten it by rotating clockwise.



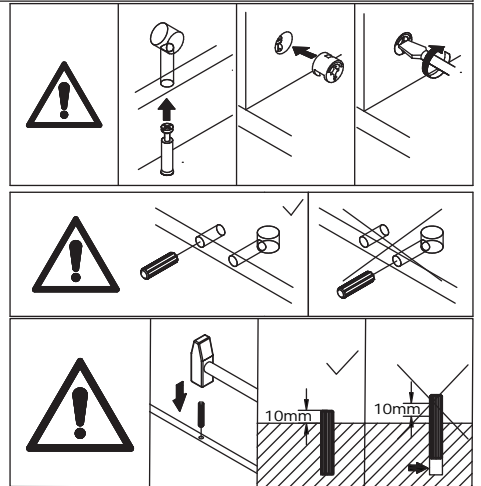
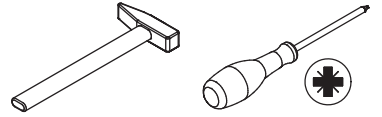
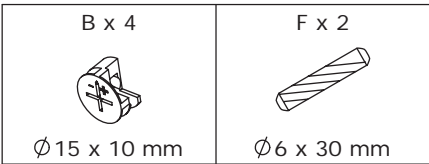
6



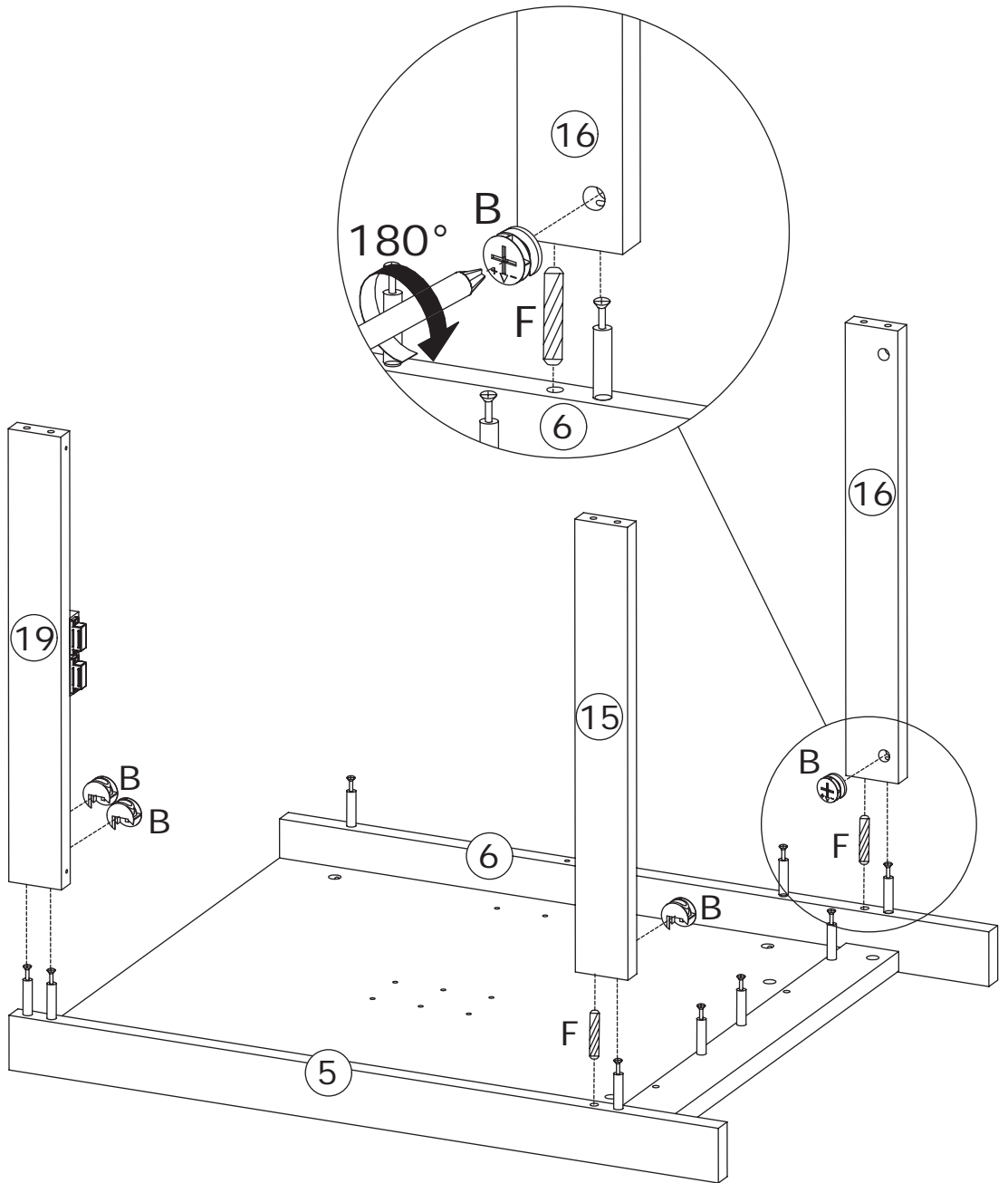
As shown in the figure, screw the self-tapping rod (A) into Panel 5 and 6.



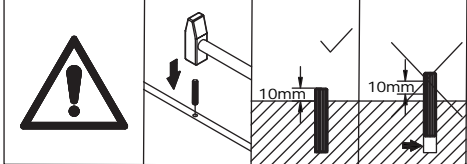
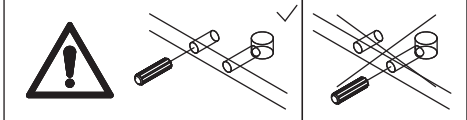
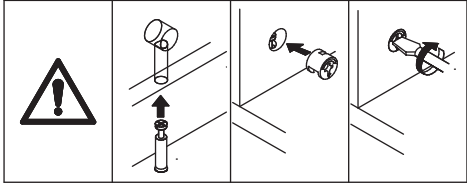
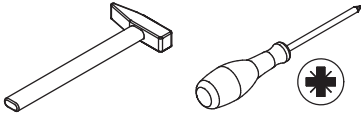
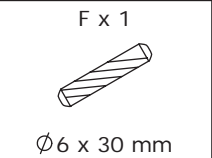
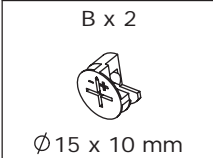
7



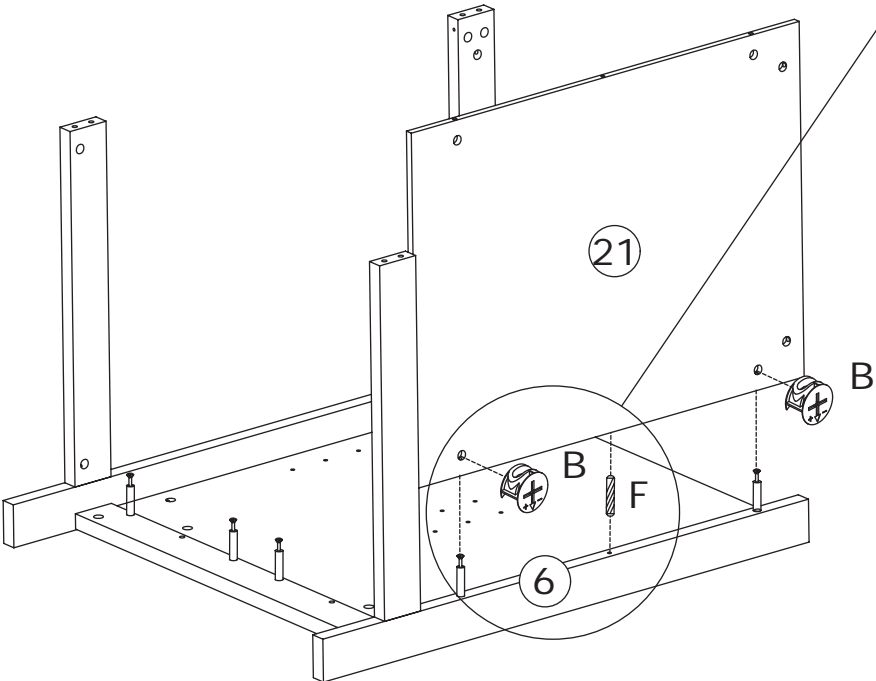
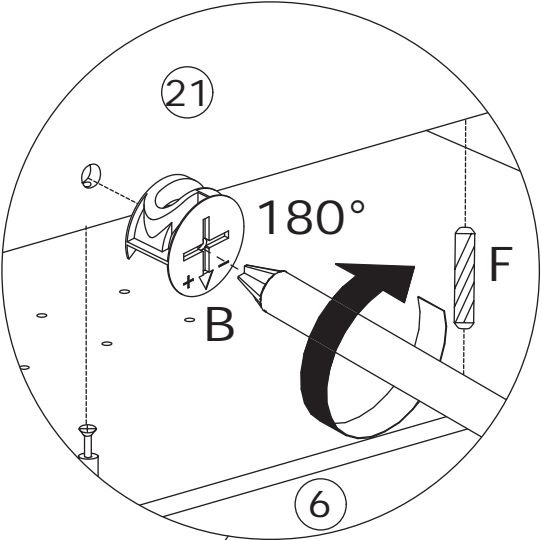
As shown in the figure, use the wooden dowel (F) to connect Panel 16 and 6, then insert the eccentric wheel (B), and tighten it by rotating clockwise.




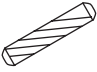
8

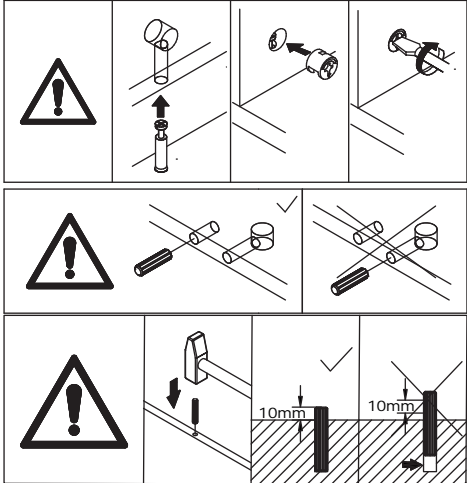
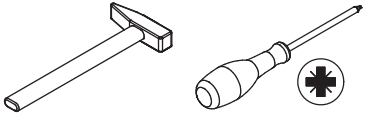


As shown in the figure, use the wooden dowel (F) to connect Panel 6 and 21, then insert the eccentric wheel (B), and tighten it by rotating clockwise.

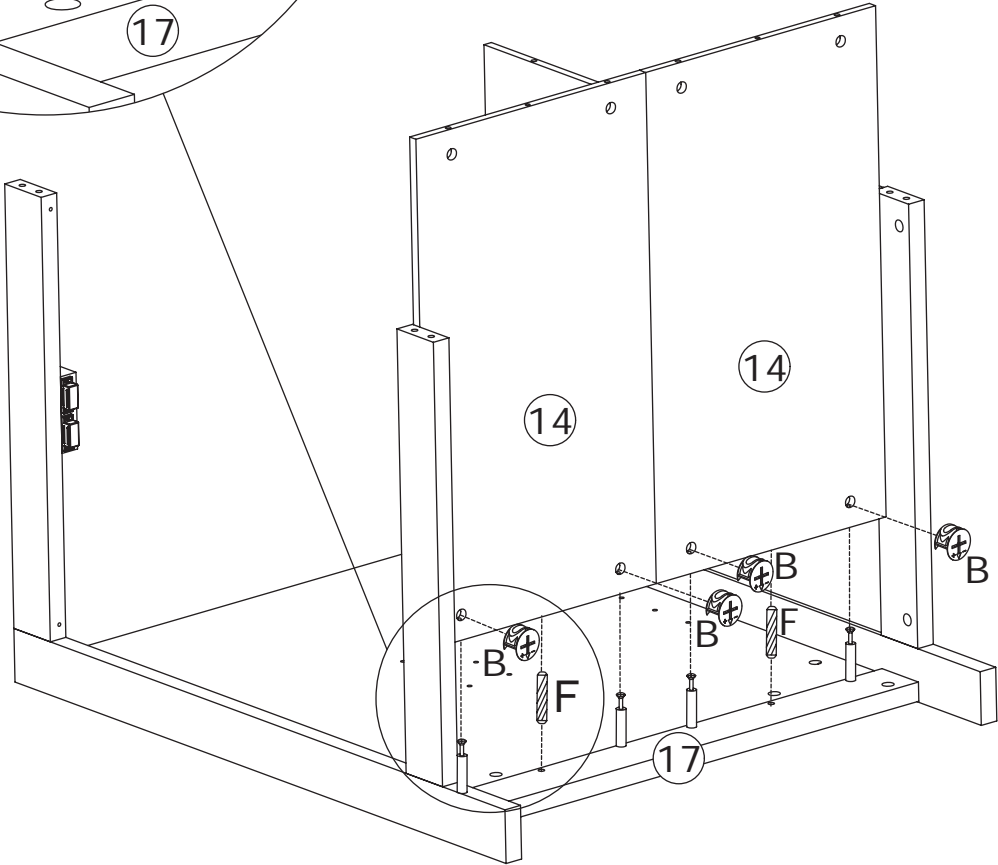
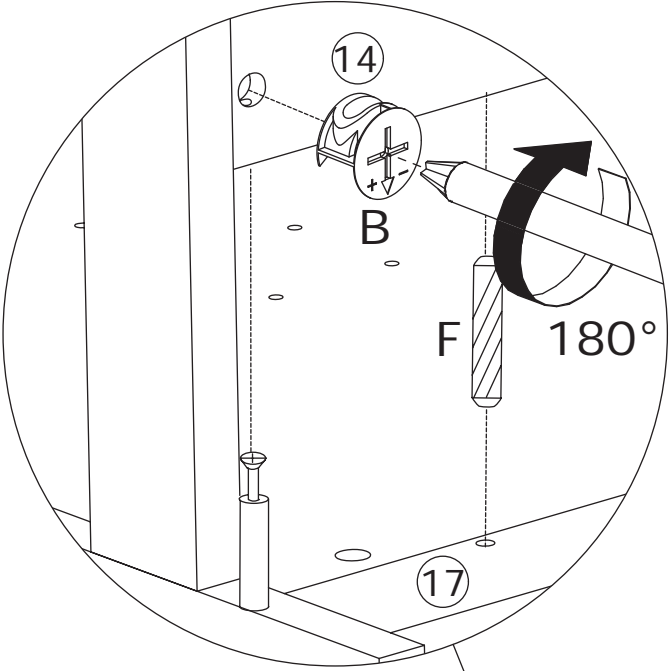


9

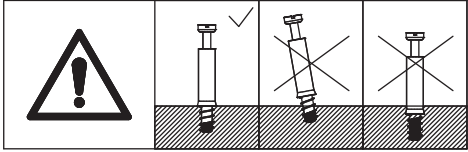
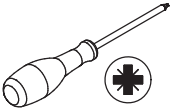
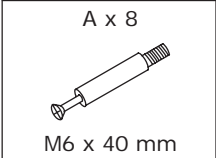
B x 4  Ø15 x 10 mm	F x 2  Ø6 x 30 mm
---	--



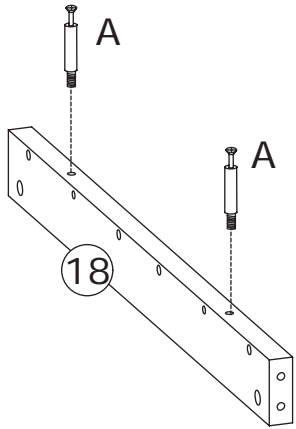
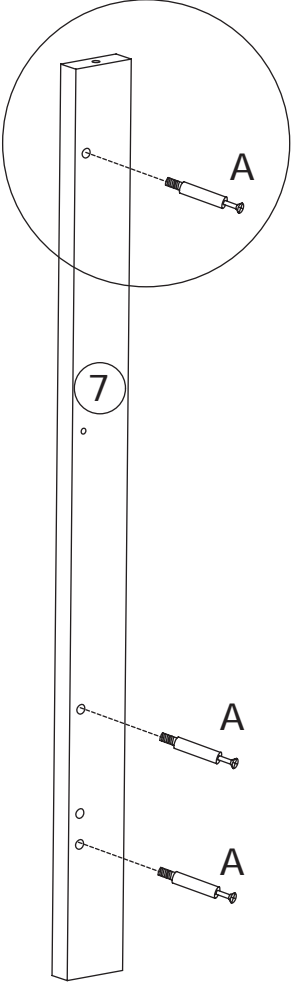
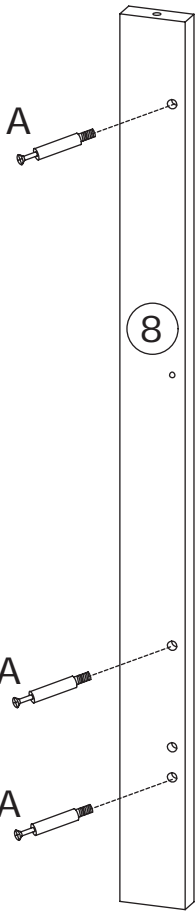
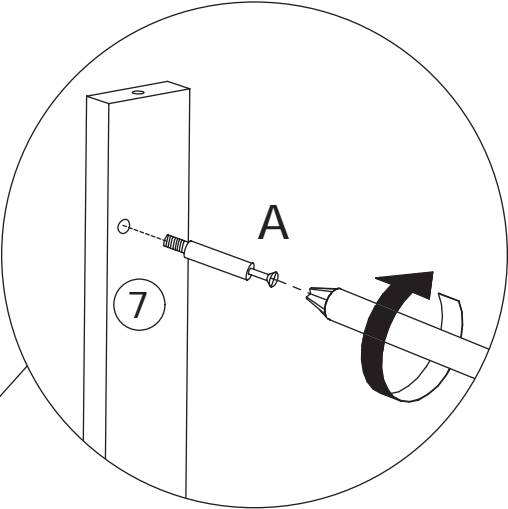
As shown in the figure, use the wooden dowel (F) to connect Panel 17 and 14, then insert the eccentric wheel (B), and tighten it by rotating clockwise.



10

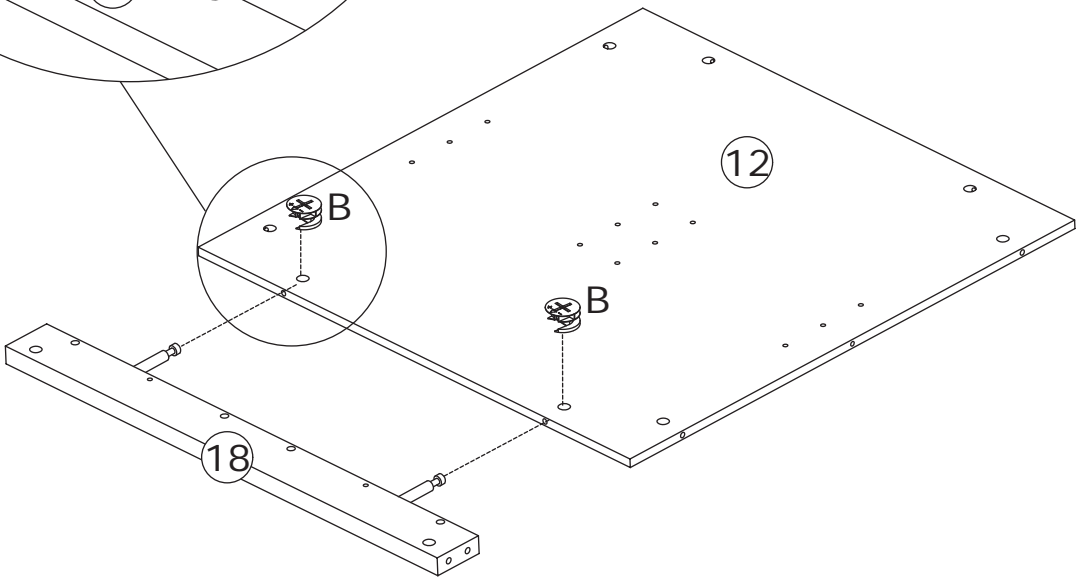
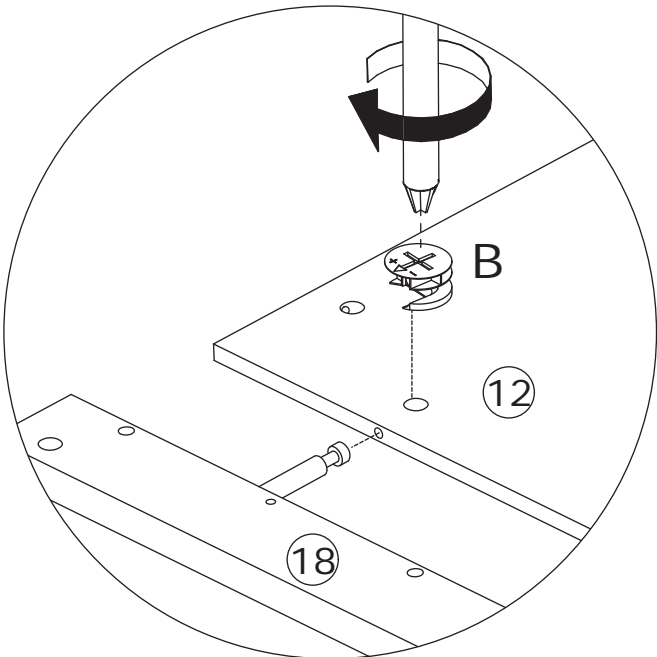
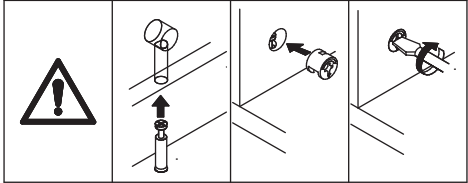
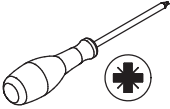


As shown in the figure, screw the self-tapping rod (A) into Panel 7, 8 and 18.



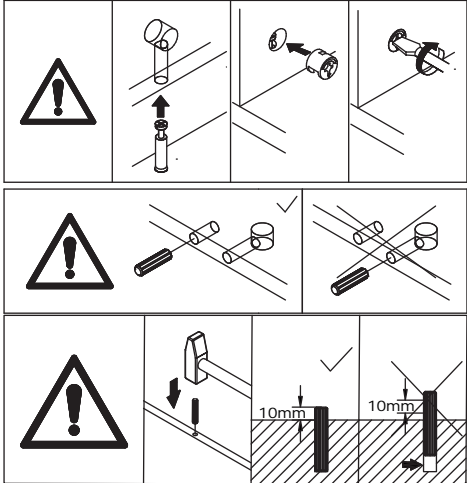
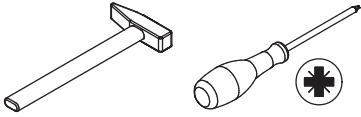
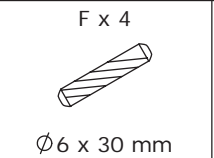
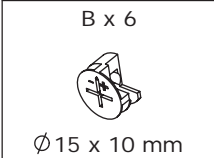
11

B x 2
Ø 15 x 10 mm

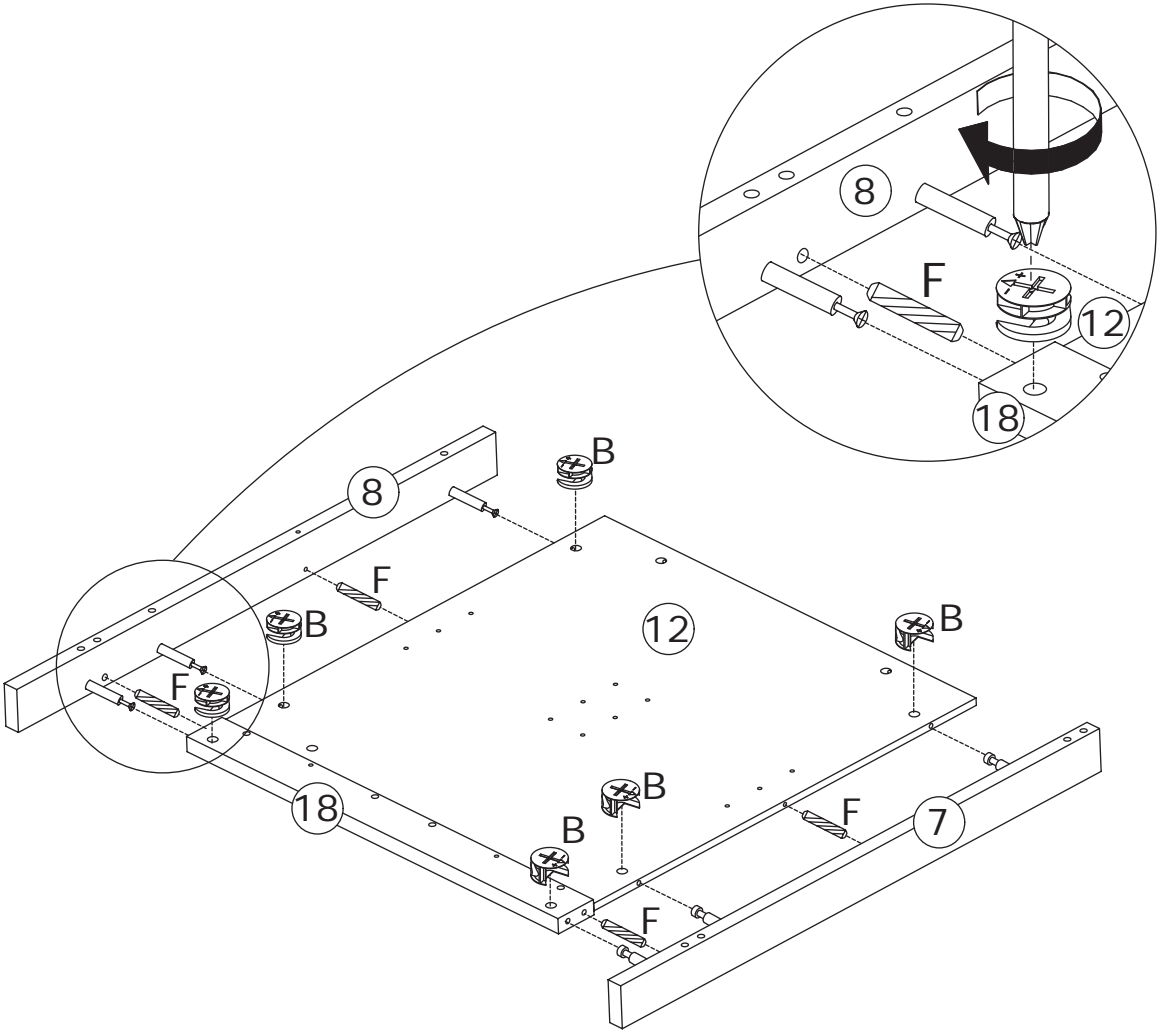


As shown in the figure, use the wooden dowel (F) to connect Panel 12 and 18, then insert the eccentric wheel (B), and tighten it by rotating clockwise.

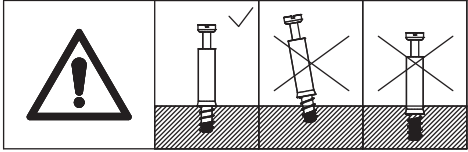
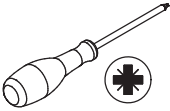
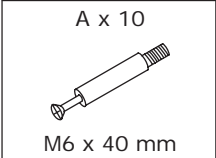
12



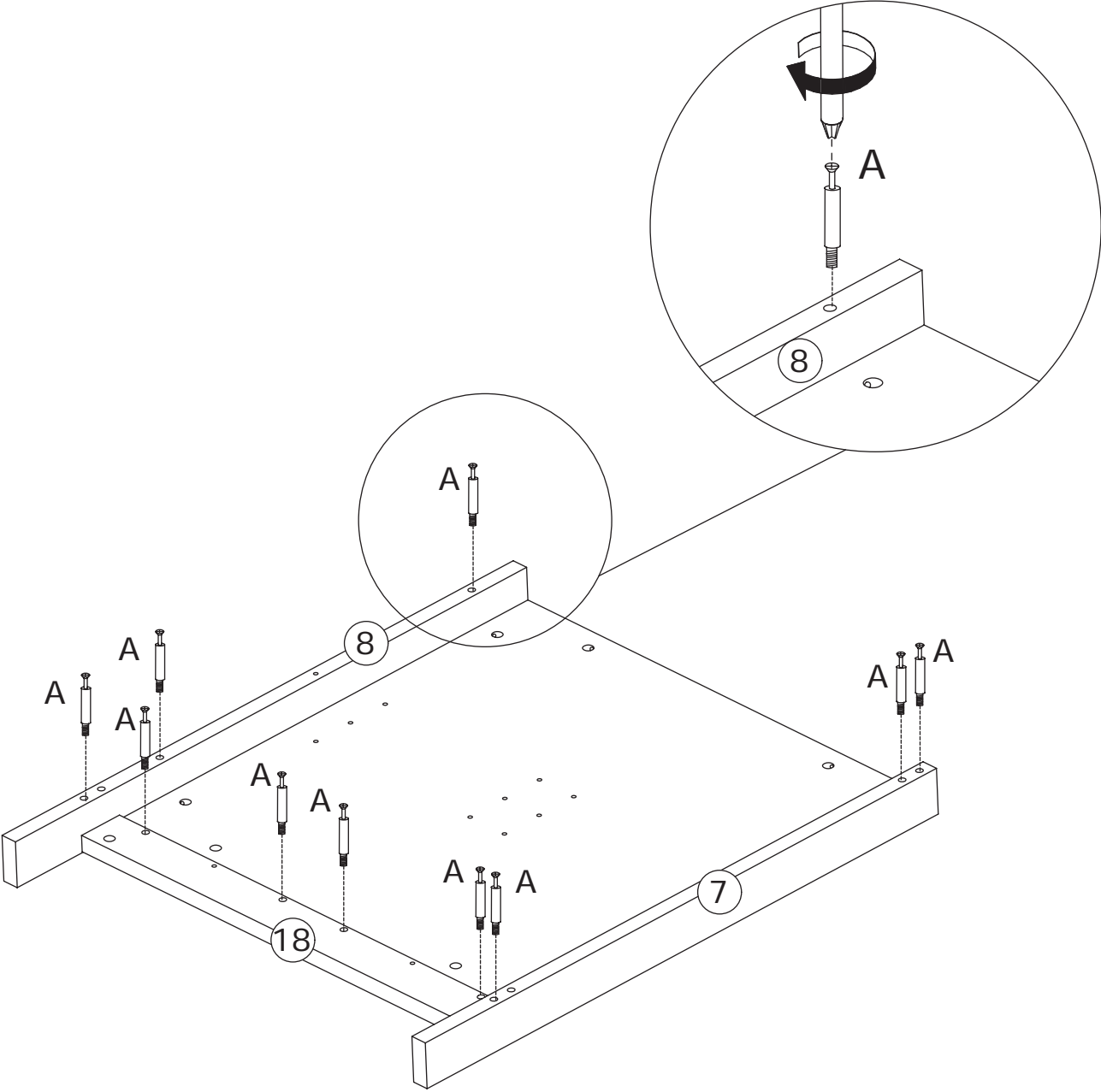
As shown in the figure, use the wooden dowels (F) to connect Panel 7 and 8 with Panel 12 and 18, then insert the eccentric wheel (B), and tighten it by rotating clockwise.



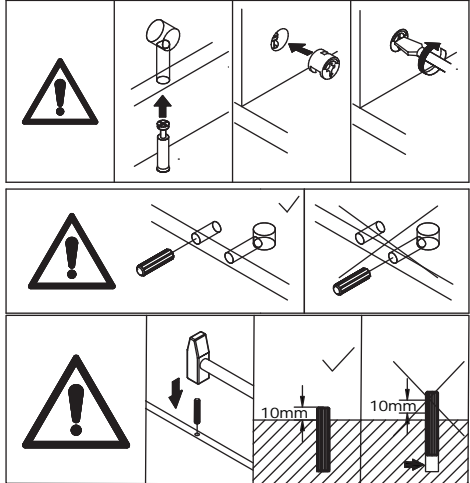
13



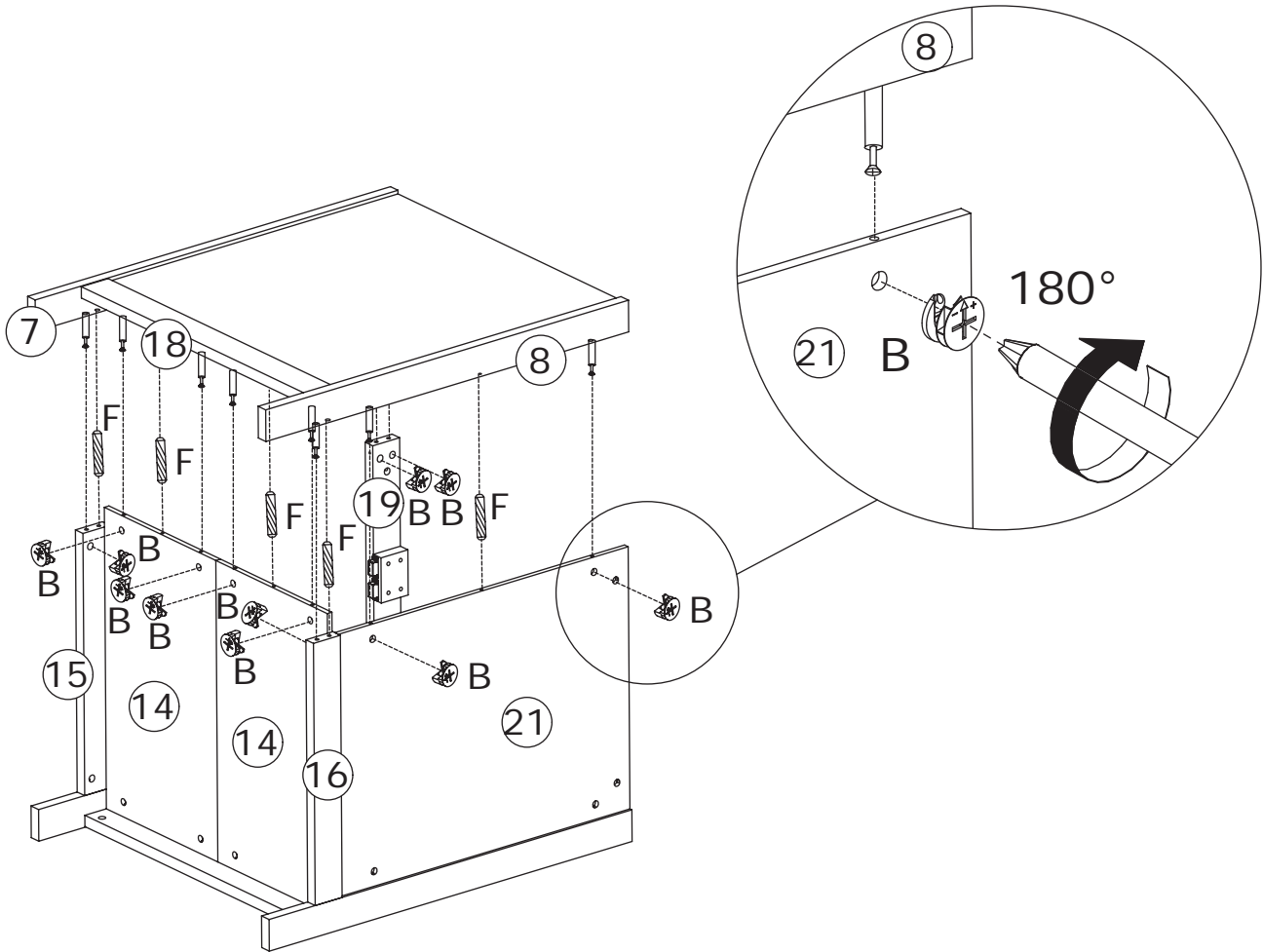
As shown in the figure, screw the self-tapping rod (A) into Panel 7, 8 and 18.



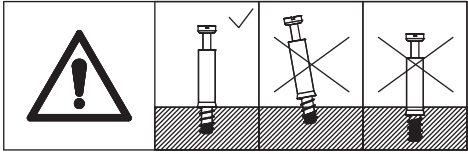
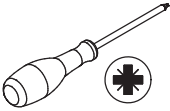
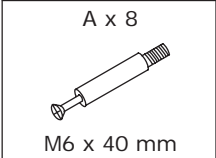
14



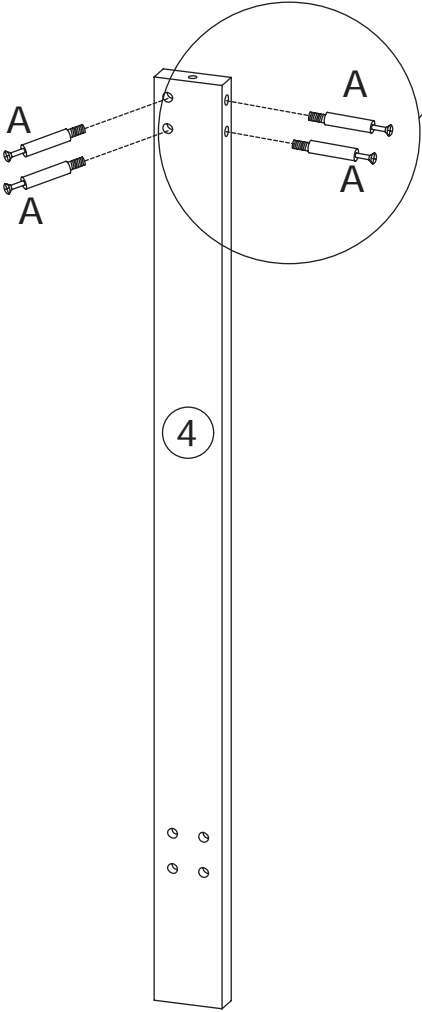
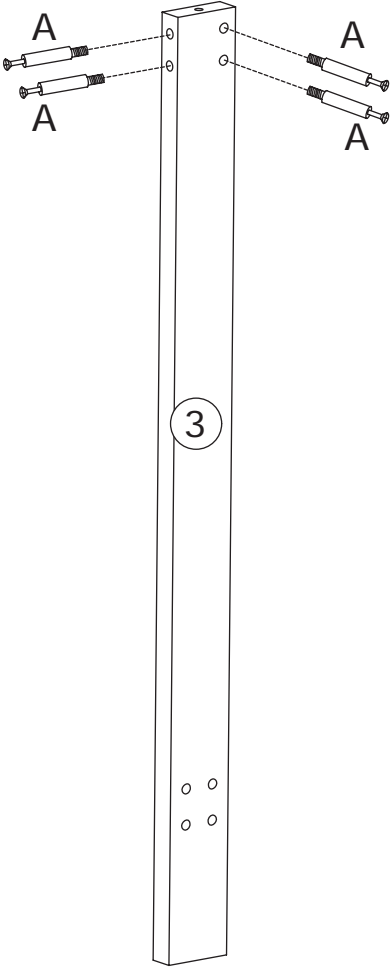
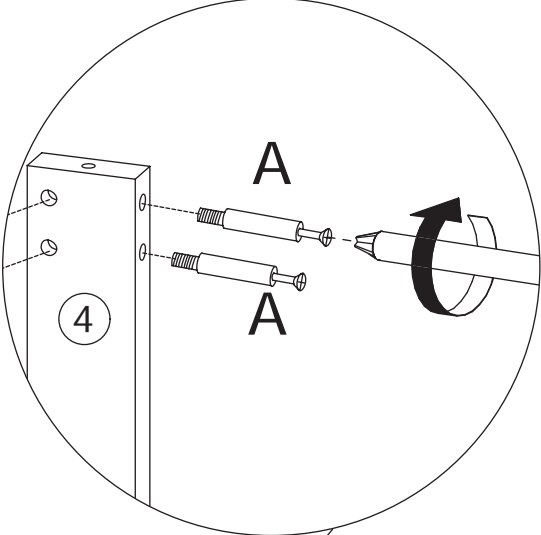
As shown in the figure, use the wooden dowels (F) to connect Panel 7, 18, 8 and the combined unit, then insert the eccentric wheel (B), and tighten it by rotating clockwise.



15

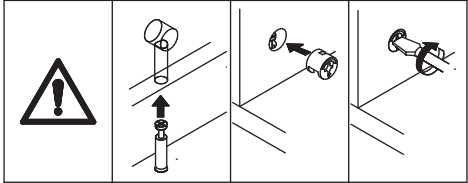
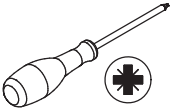


As shown in the figure, screw the self-tapping rod (A) into Panel 3 and 4.

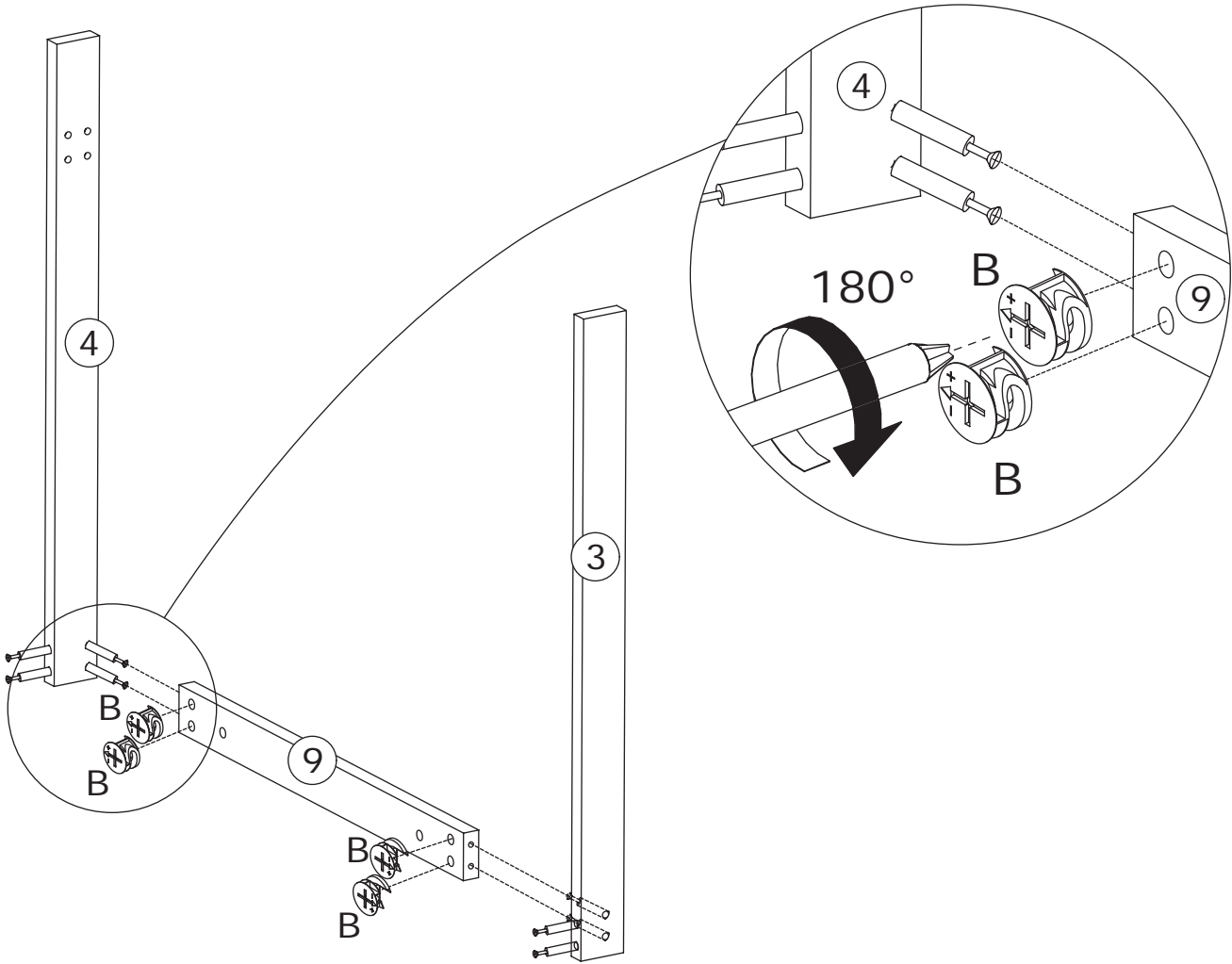


16

B x 4
Ø 15 x 10 mm

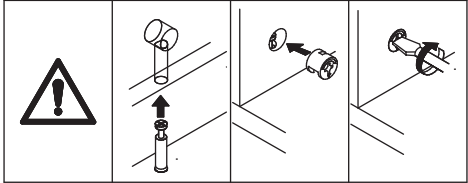
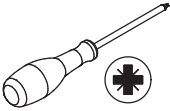


As shown in the figure, connect Panel 3 and 4 to Panel 11, then insert the eccentric wheel (B), and tighten it by rotating clockwise.

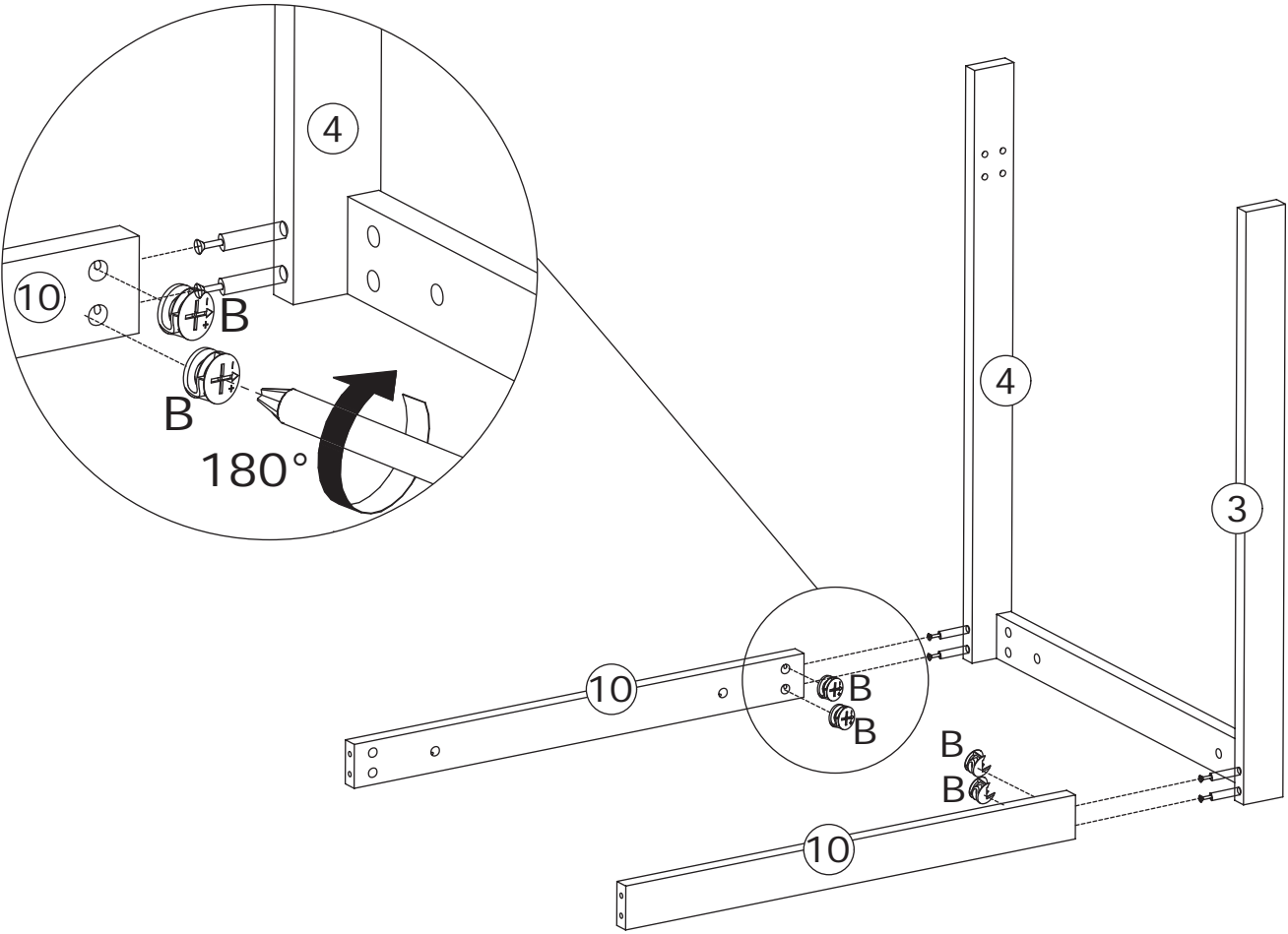


17

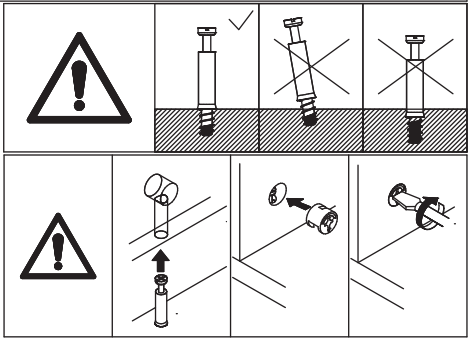
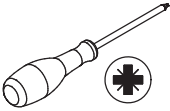
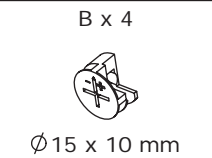
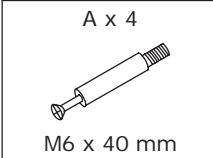
B x 4
Ø 15 x 10 mm



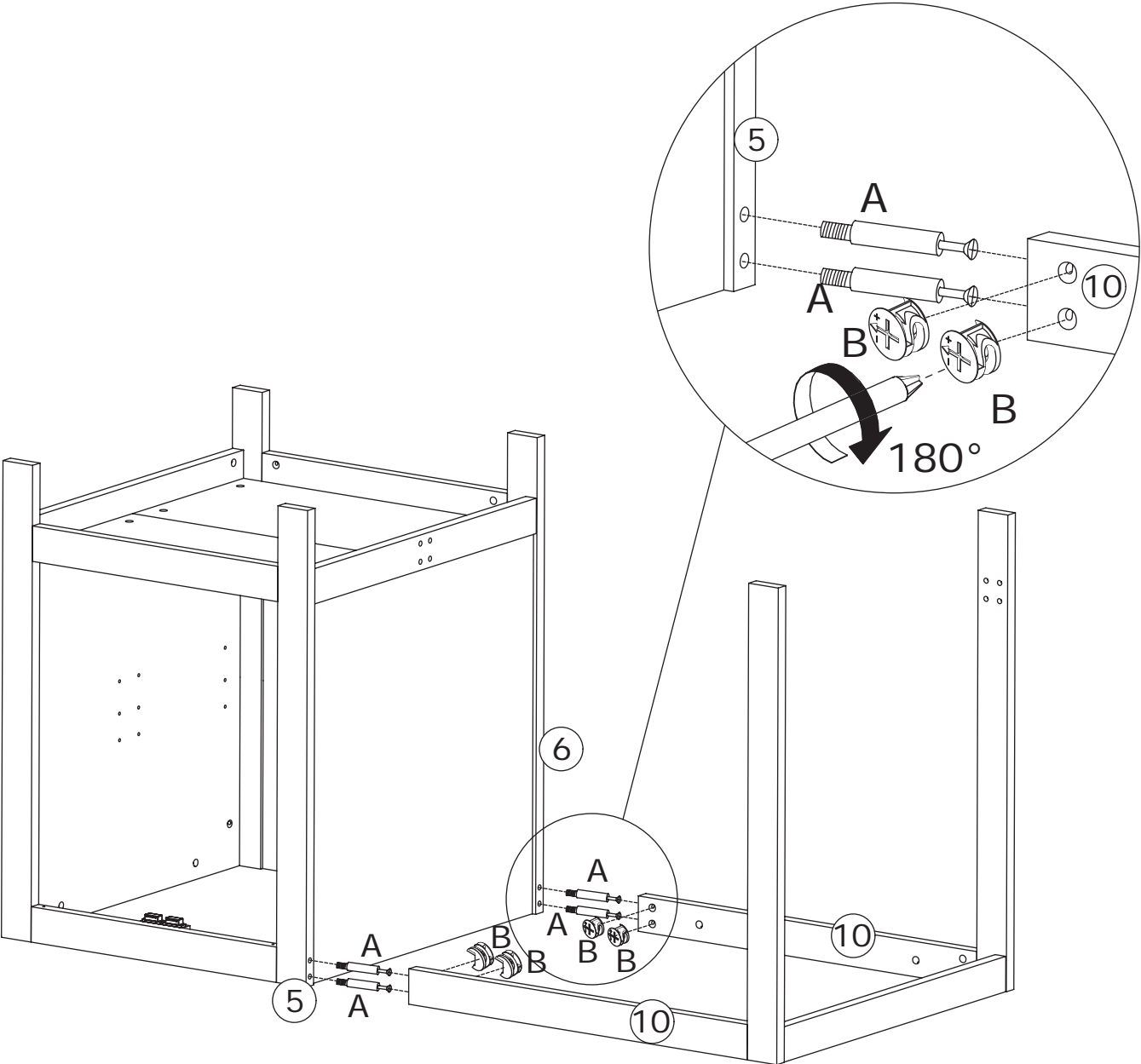
As shown in the figure, connect Panel 10 to Panel 3 and 4, then insert the eccentric wheel (B), and tighten it by rotating clockwise.



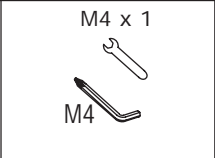
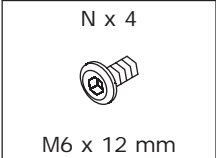
18



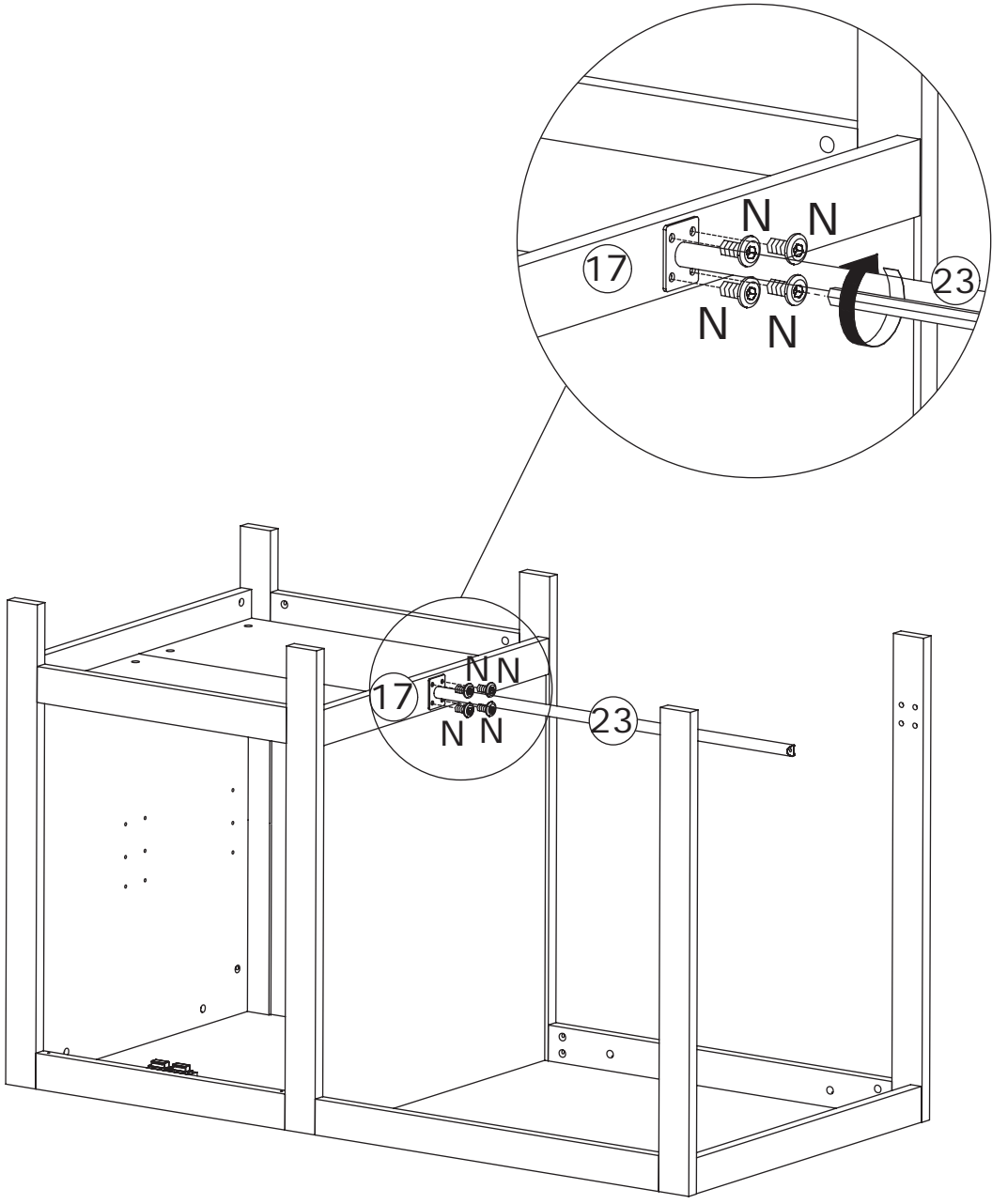
As shown in the figure, connect Panel 10 to Panel 5 and 6, then insert the eccentric wheel (B), and tighten it by rotating clockwise.






19



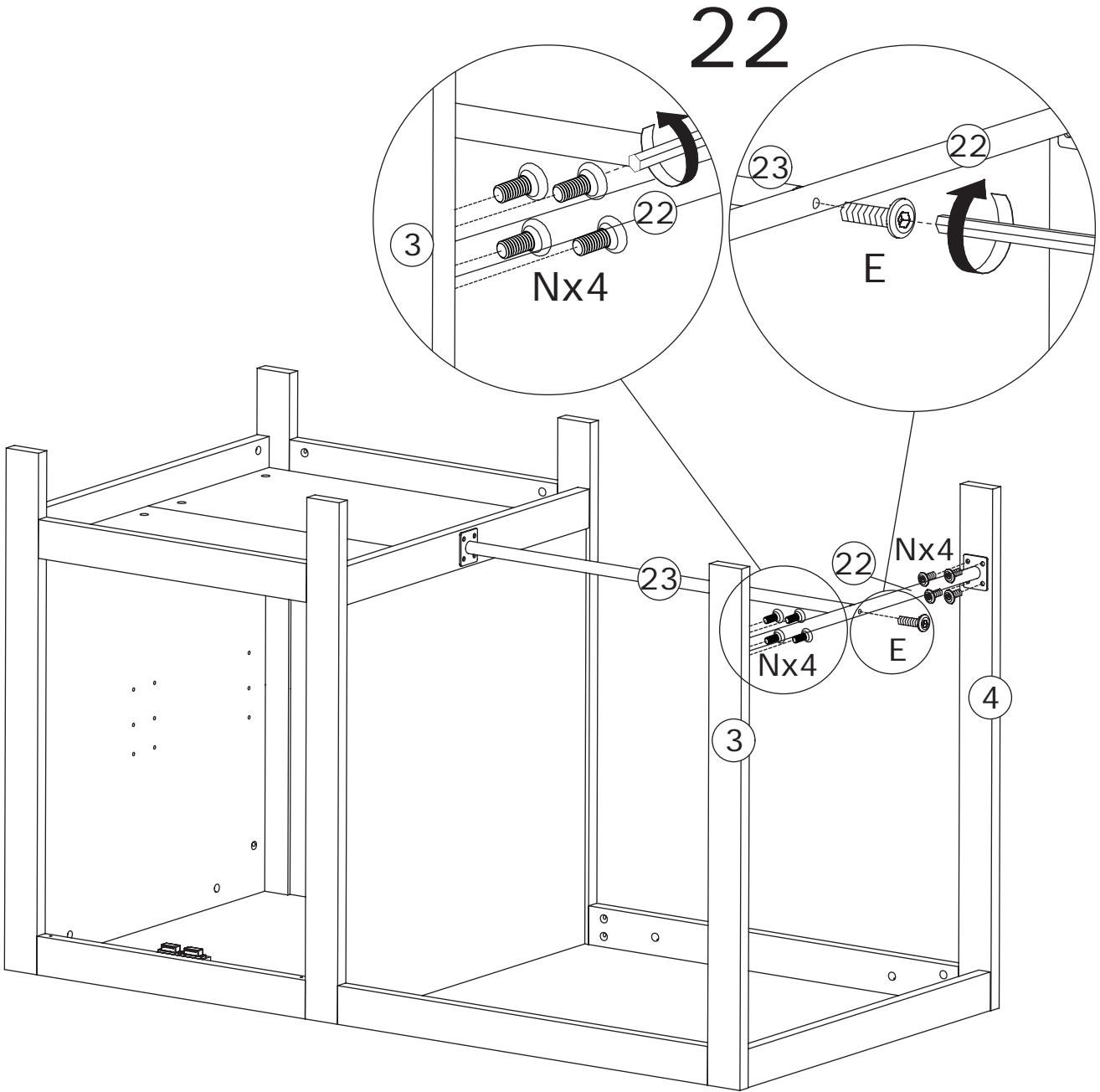
As shown in the figure, use screws (N) to fix the Part 23 to Panel 17.



20

<p>E x 1</p>  <p>M6 x 35 mm</p>	<p>N x 8</p>  <p>M6 x 12 mm</p>	<p>M4 x 1</p>  <p>M4</p>	
--	--	---	--

As shown in the figure, use screws (N) to fix the Part 22 to Panel 3 and 4.
Use screws (E) to connect the Part 22 and 23.



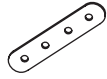
21

O x 8

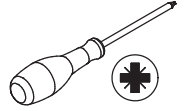


ST3 x 14 mm

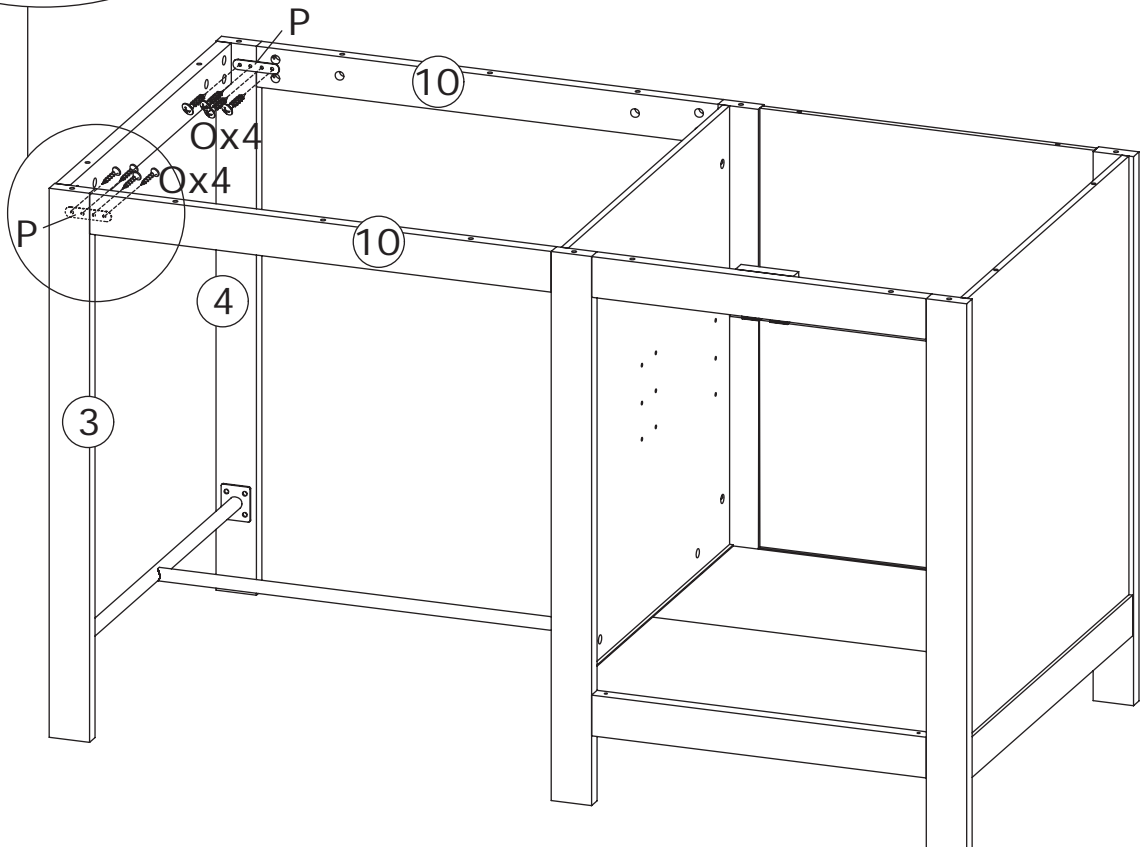
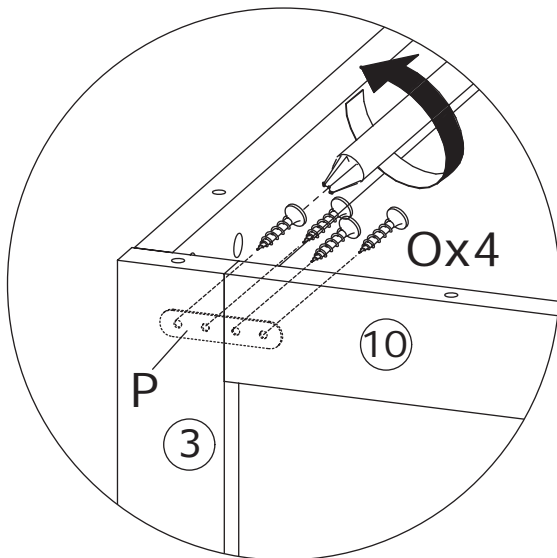
P x 2



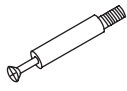
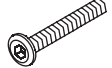

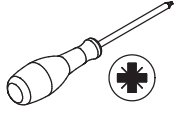


M6 x 12 mm

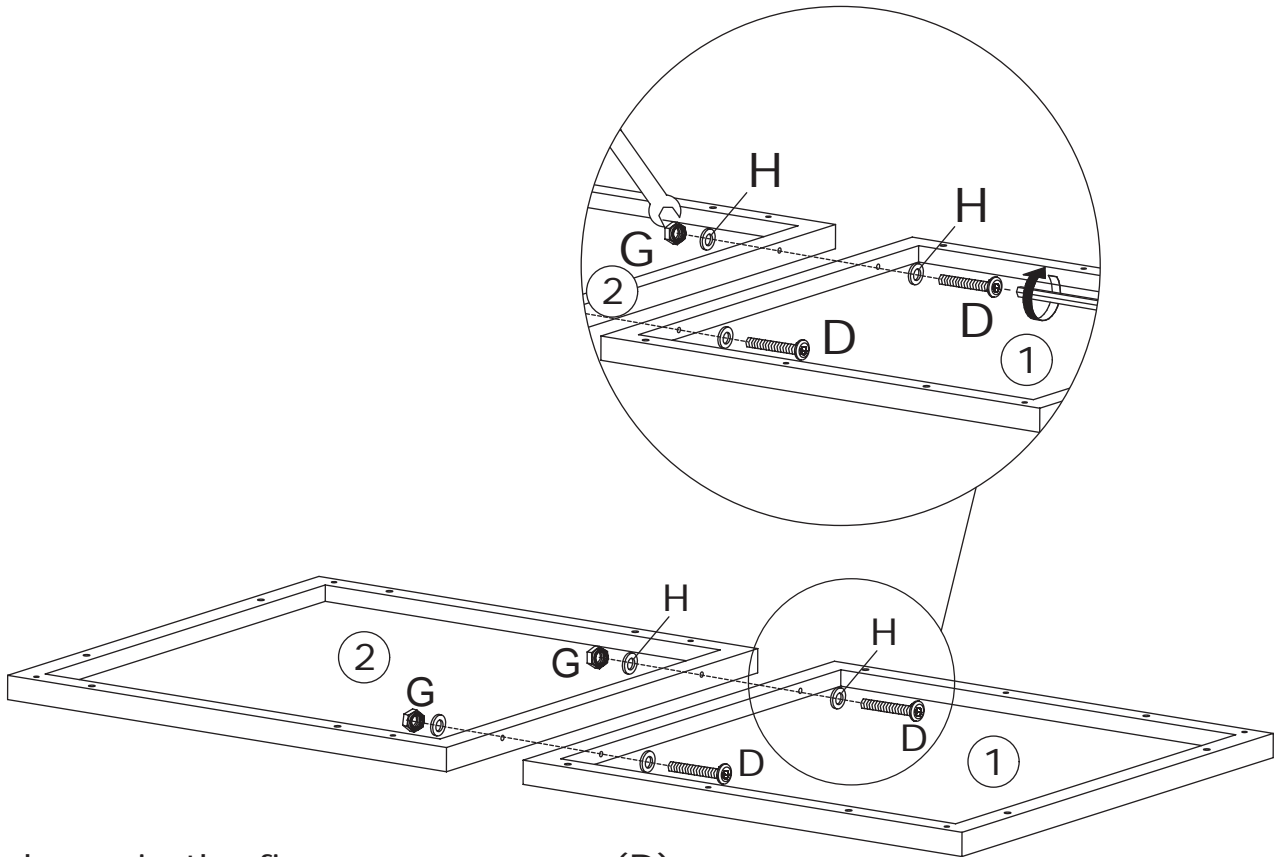


As shown in the figure, connect Panel 3, 4 and 10, and use screws (O) to fix the Part (P).



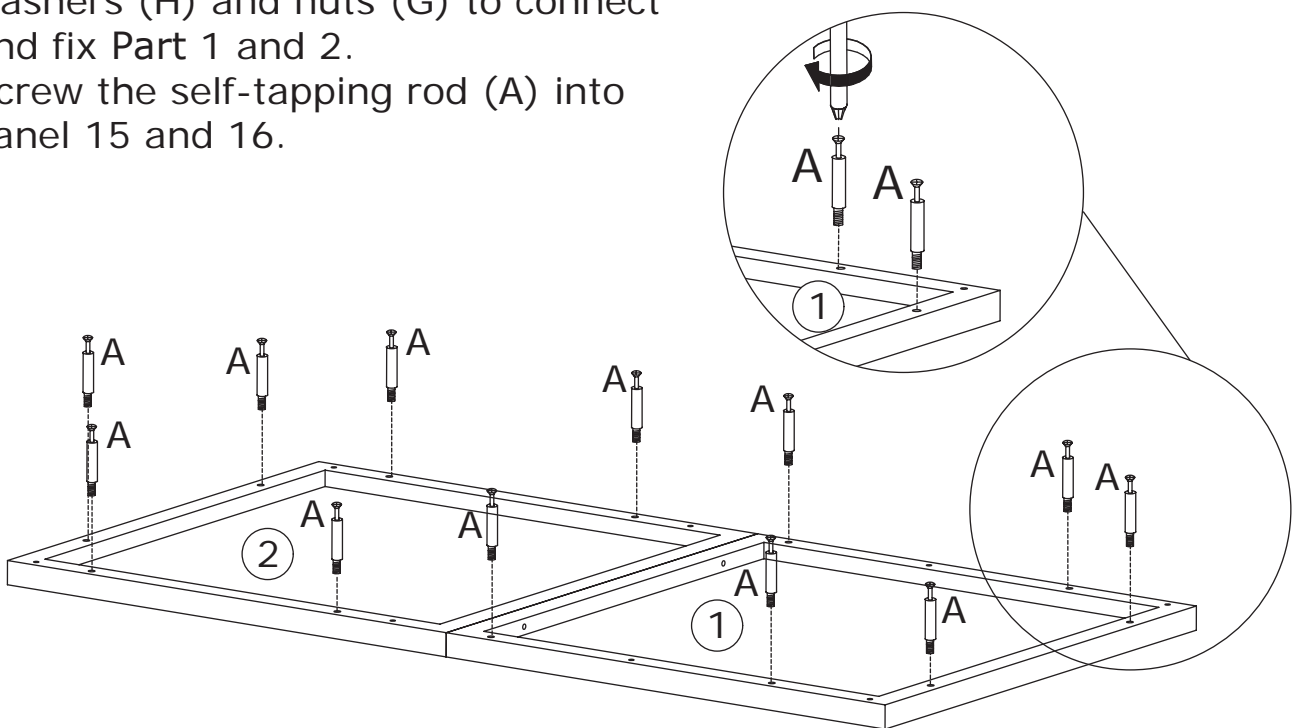
22

<p>A x 12</p>  <p>M6 x 40 mm</p>	<p>D x 2</p>  <p>Ø15 x 10 mm</p>	<p>G x 2</p>  <p>Ø15 x 10 mm</p>	
<p>H x 4</p>  <p>Ø15 x 10 mm</p>	<p>M4 x 1</p>  <p>M4</p>		

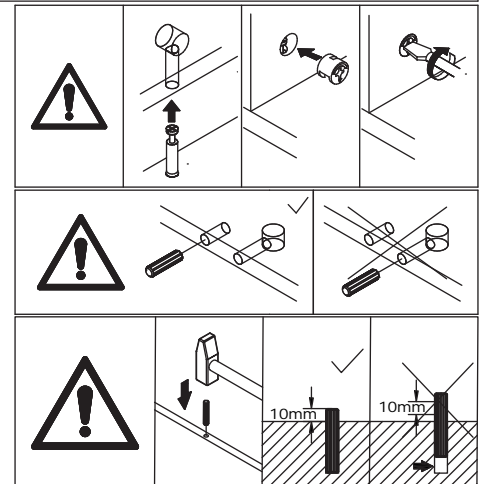
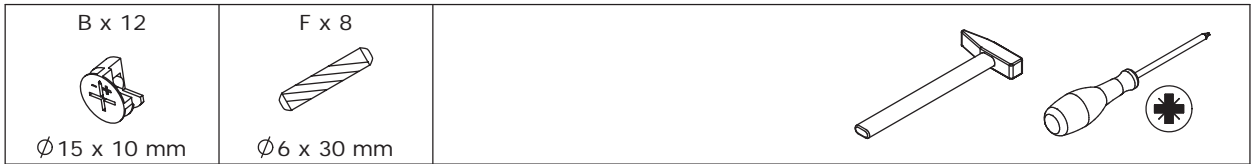


As shown in the figure, use screws (D), washers (H) and nuts (G) to connect and fix Part 1 and 2.

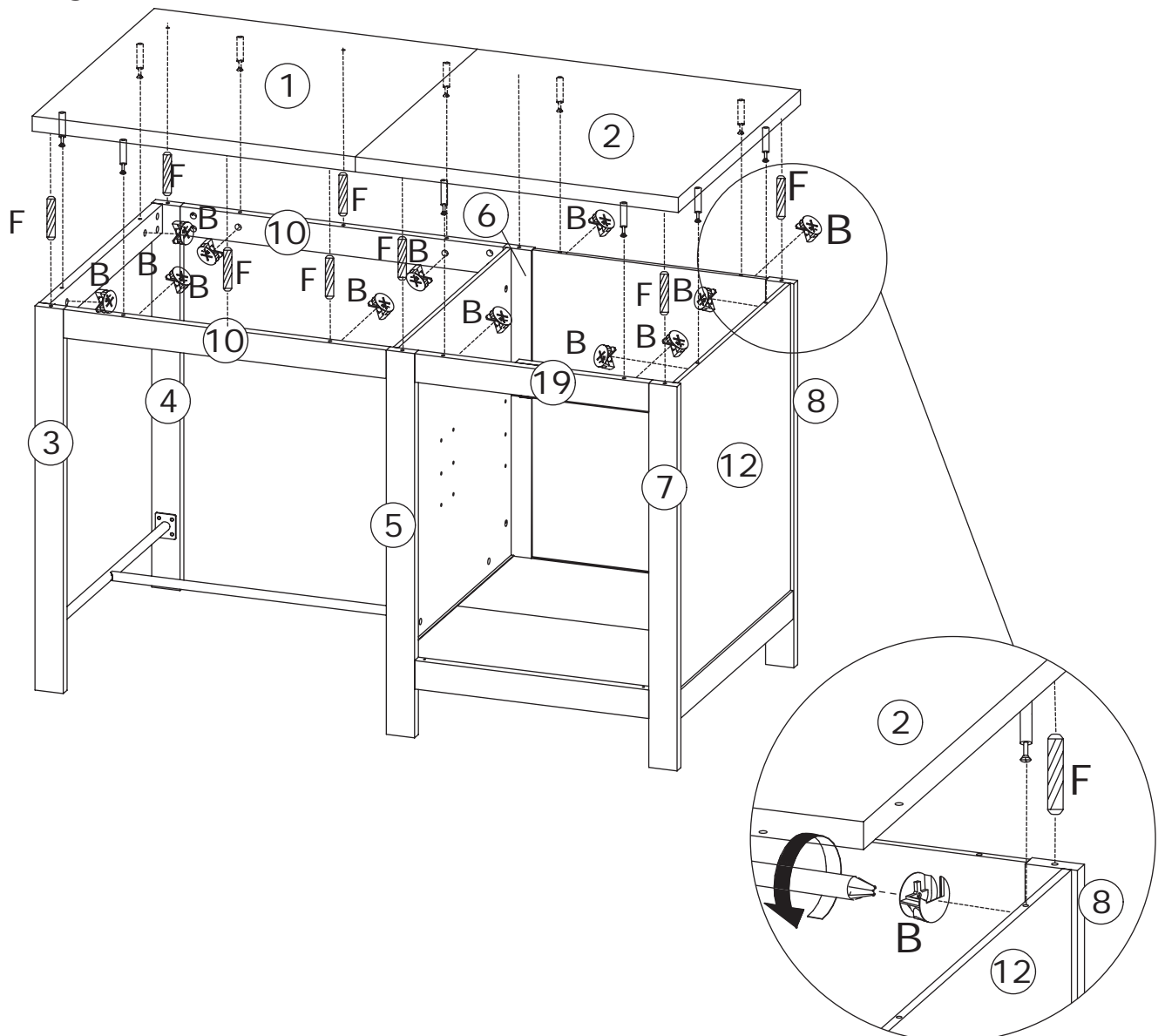
Screw the self-tapping rod (A) into Panel 15 and 16.



23



As shown in the figure, use the wooden dowels (F) to connect Panel 1, 2 and the combined unit, then insert the eccentric wheels (B), and tighten them by rotating clockwise.

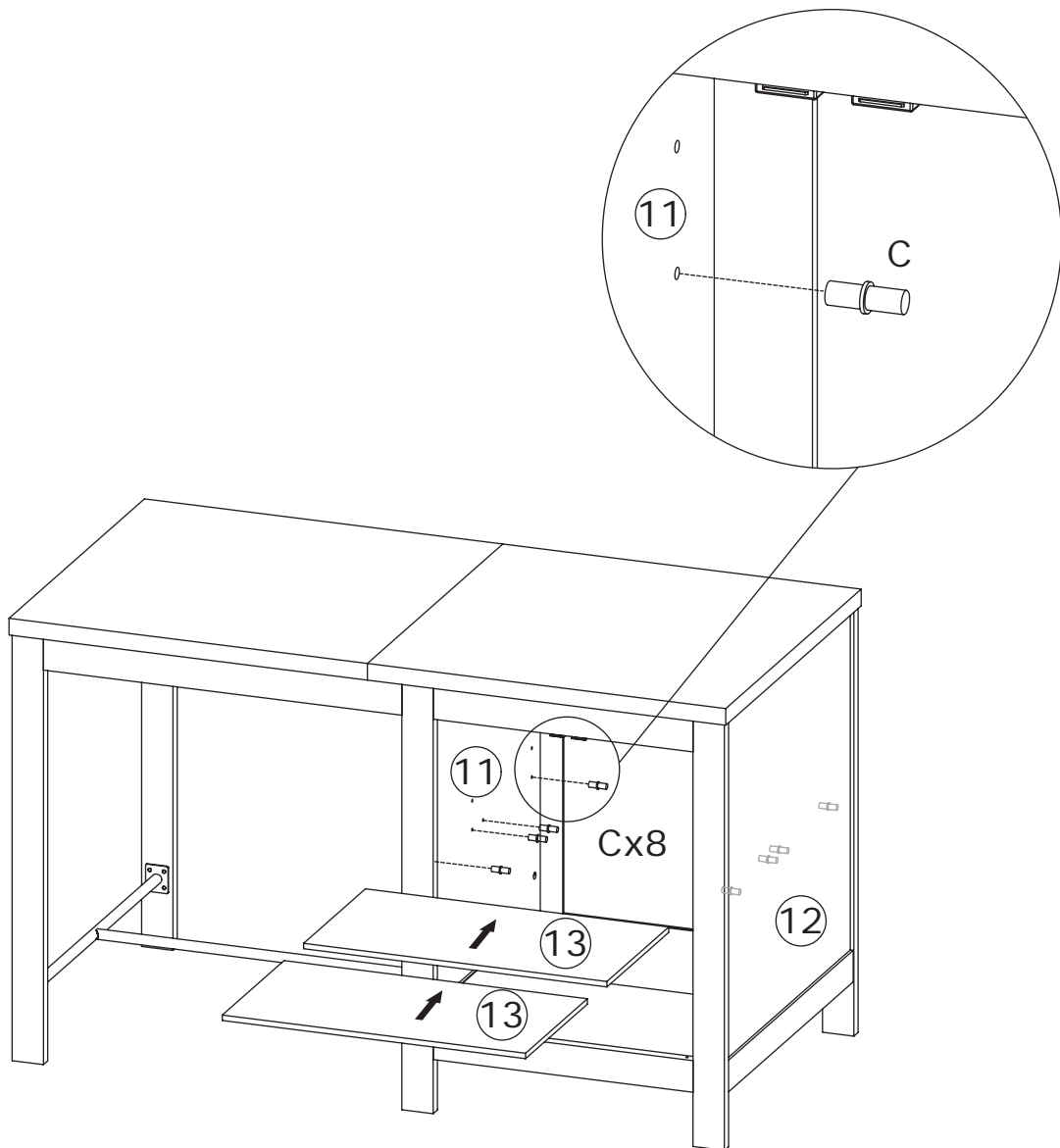


24

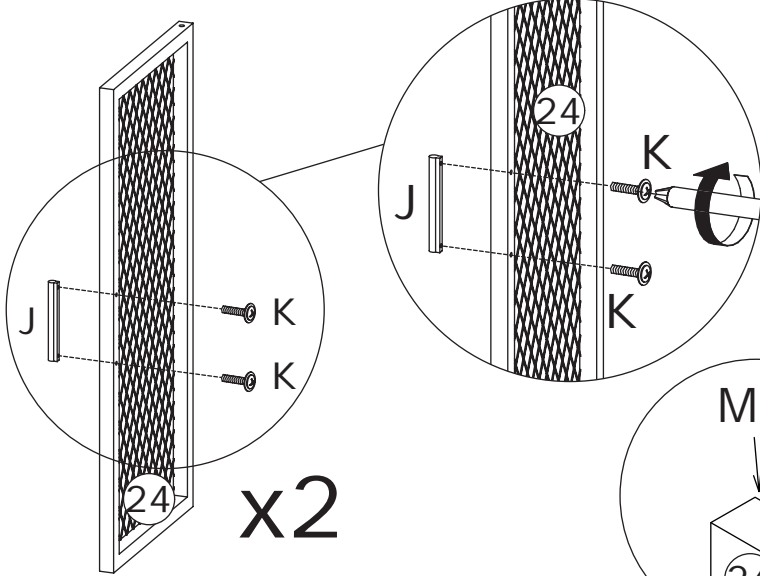
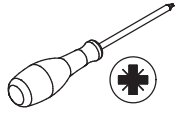
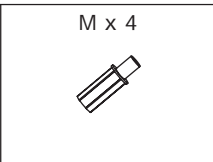
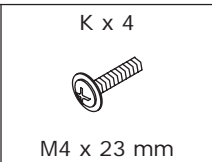
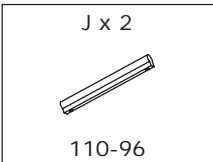
C x 8



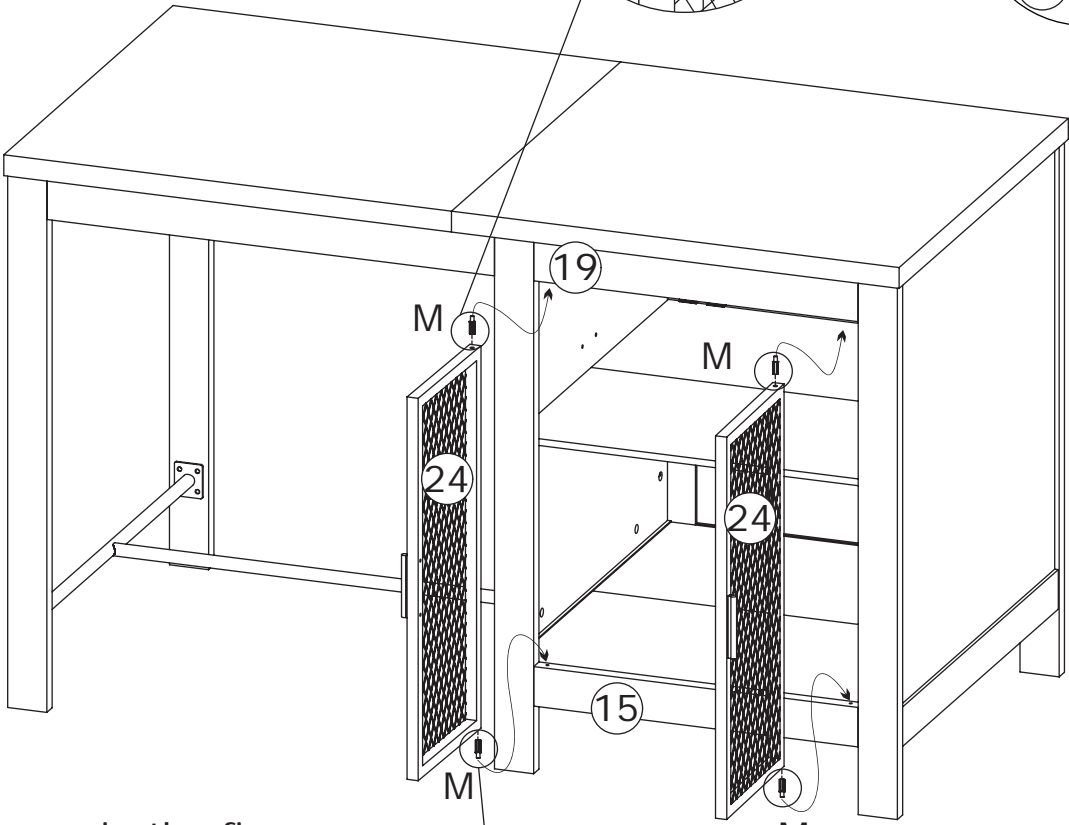
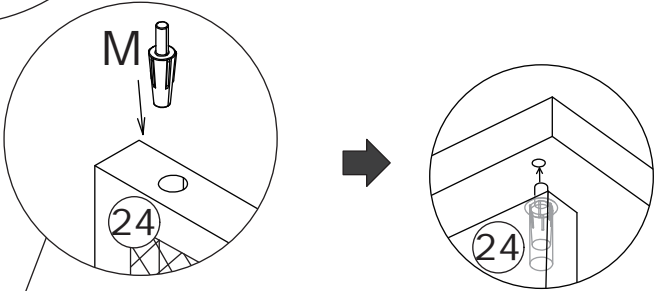
As shown in the figure, insert the accessory (C) into Panel 10 and 12, and then place Panel 13 on.



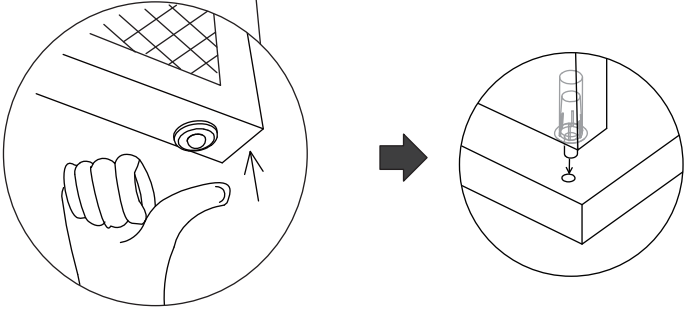
25



As shown in the figure, use screws (K) to install the handle (J) to Panel 15 and 16.



As shown in the figure, install the door panel 24.



26

