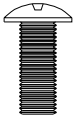


PART	DESCRIPTION	QUANTITY
A	Poker Bracket	1
B	Mesh Cover	1
C	Cooking Grid	1
D	Fire Bowl	1
E	Legs	4
F	Poker	1
G	Outer Handles	4

**AA**



M6 x 15mm Bolt  
Qty: 12

**BB**



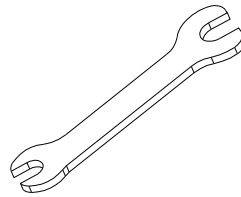
M6 Nut  
Qty: 1

**CC**



Threaded Peg  
Qty: 4

**DD**



Wrench  
Qty: 1

**EE**

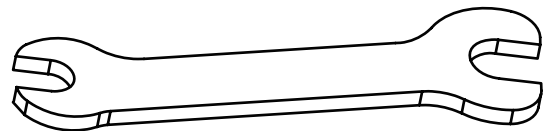
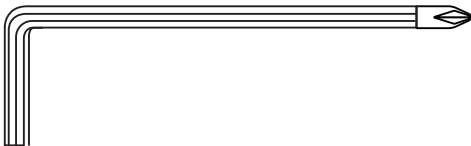


Phillips Screwdriver  
Qty: 1

PART	DESCRIPTION	QUANTITY	GIVE AWAY
AA	M6 x 15mm Bolt	12	2
BB	M6 Nut	1	1
CC	Threaded Peg	4	1
DD	Wrench	1	
EE	Phillips Screwdriver	1	

### Tools Required for Assembly:

Phillips Screwdriver (Included) and Wrench (Included)



## ASSEMBLY INSTRUCTIONS

### Notice before installation:


Don't overtighten the screws at the beginning!

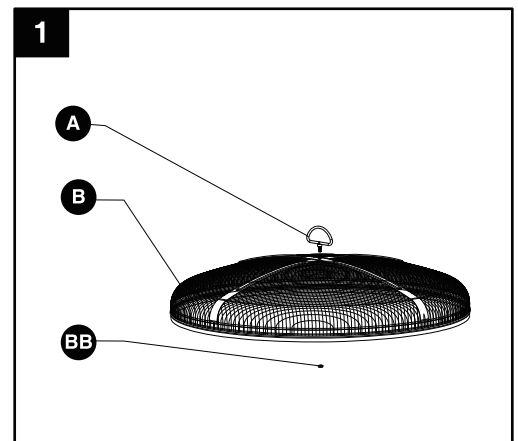
Once all pre-drilled holes and bolts are properly aligned and installed, then finish tightening all bolts with a screwdriver.

1. Insert the poker bracket (A) into the hole in the mesh cover (B) and secure with M6 Nut (BB). Tighten the nut with the wrench (DD).

### Hardware Used

**BB** M6 Nut  x 1

**DD** Wrench 



- Attach legs (E) to the fire bowl (D) by inserting the M6 x 15mm bolts (AA) through the pre-drilled holes in the fire bowl (D) and legs (E) as illustrated. Tighten all bolts with a screwdriver.

## Hardware Used

**AA** M6x15mm Bolt  x 8


Notice: If the fire pit wobble slightly after installing the legs, please loosen a little of the M6 x 15mm bolts on the corresponding leg, then adjust the bolts up or down from the pre-drilled hole until it is level.

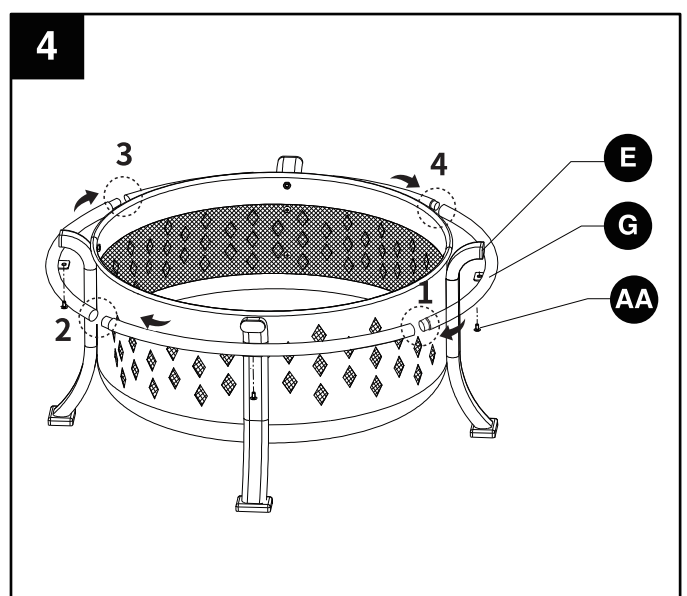
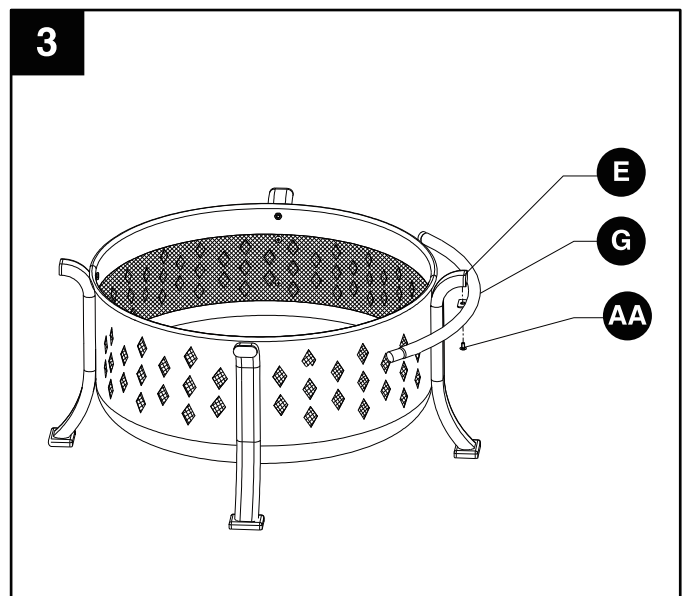
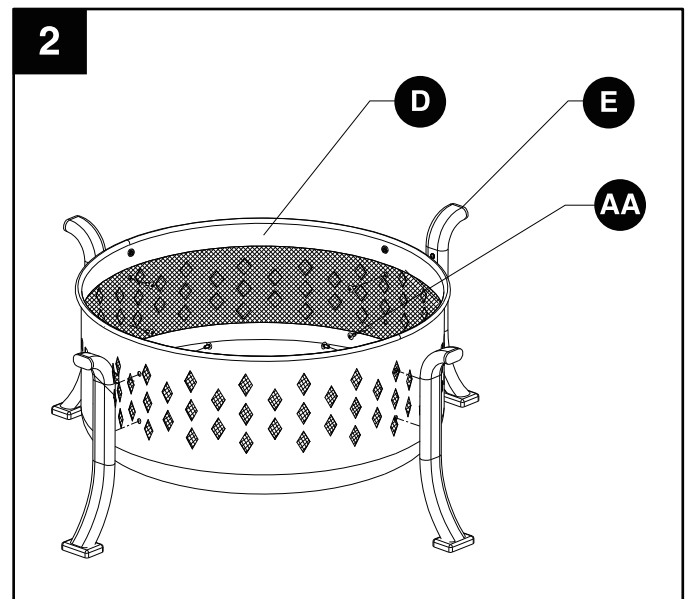
- Attach first outer handle (G) to the top of the leg (E) by inserting M6 x 15mm bolt (AA) through pre-drilled hole in handle (G) and leg (E). Slowly adjust for proper alignment. Once the pre-drilled hole and bolt is properly aligned, then tightening the bolt with a screwdriver.

- Fix the rest external handles and legs with M6 x 15 mm bolts in turn, while assembling the remaining external handles (G) by inserting the male end of each external handle (G) into the corresponding female end to assemble a complete circular exterior handle.

(Option 2: Slowly turn over the fire pit and cover it on the ground, then follow the above methods to complete the installation of the outer handle and the legs in sequence.)

## Hardware Used

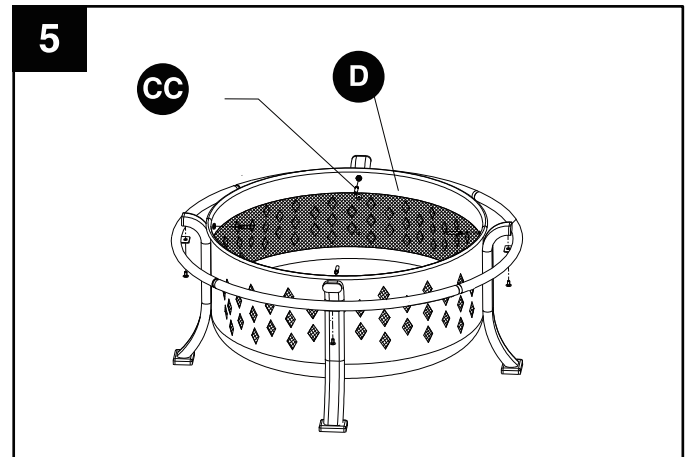
**AA** M6x15mm Bolt  x 4



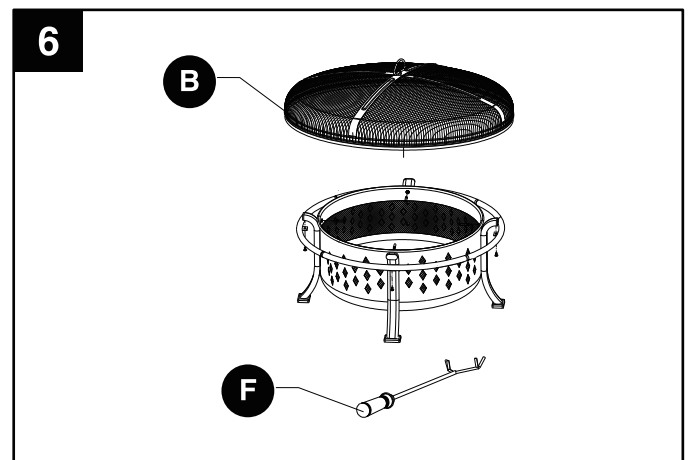
5. Insert threaded pegs (CC) into the edge of the fire bowl (D) as illustrated and hand tighten.

### Hardware Used

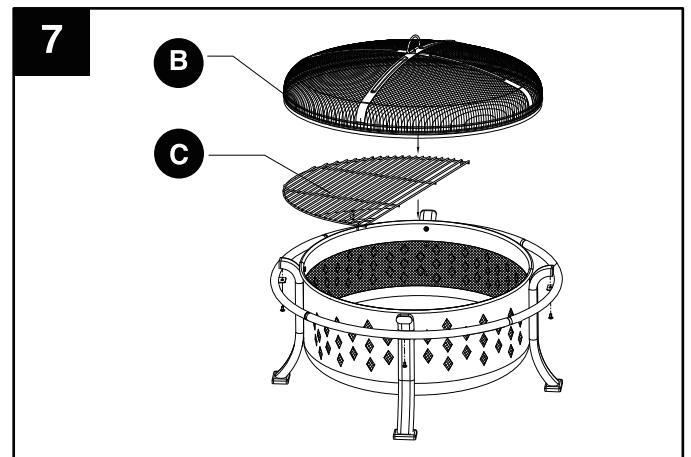
**CC** Threaded Peg  x 4



6. For fire pit use, top with mesh cover (B). Place poker (F) beside fire pit for use as needed.



7. For barbeque use, remove mesh cover (B), place cooking grid (C) onto the threaded pegs in the bowl.



8. Replace mesh cover (B) when fire is lit and food is placed on the cooking grid. Keep poker (F) near the fire pit for use anytime.

