

# **Full over Full Solid Wood Standard Bunk Bed with Stairs, 4 Step Drawers and 2 Under Bed Drawers**

## **Assembly Instructions**



**READ THESE INSTRUCTIONS CAREFULLY BEFORE  
ATTEMPTING TO ASSEMBLE THIS BED**

**SAFETY WARNINGS AND GENERAL NOTES**

- ✓ Follow the information on the warning labels on the upper bunk bed structure and on the carton. Do not remove warning label from the bed.
- ✓ Always use the recommended size mattress or mattress support, or both, to help prevent the likelihood of entrapment or falls.
- ✓ The top surfaces of the mattress must be at least 5" below the upper edge of the guardrails.
- ✓ **Do not** allow children under 6 years of age to use the upper bunk.
- ✓ **Prohibit** more than one person on the upper bunk.
- ✓ Periodically check and ensure that the guardrails, ladder and other components are in their proper position, free from damage, and that all connectors are tight.
- ✓ **Do not** allow horseplay on or under the bed. Always prohibit jumping on the bed.
- ✓ Always use the ladder for entering and leaving the upper bunk.
- ✓ **Do not** use substitute parts. Contact the manufacturer or dealer for replacement parts.
- ✓ Use of a night-light may provide added safety for a child using the upper bunk.
- ✓ If the bunk bed will be placed next to the wall, the guardrail that runs the full length of the bed should be placed against the wall to prevent entrapment between the bed and the wall.
- ✓ Always use guardrails on both long sides of the upper bunk.
- ✓ The use of a water or sleep floatation mattress is prohibited.
- ✓ Keep these instructions for future reference.
- ✓ We recommend assembling your bunk bed on the shipping carton to protect your floor or carpet. Be certain all staples are out of the box before beginning assembly on the shipping carton.
- ✓ **Strangulation Hazard** Never attach or hang items to any part of the bunk bed that are not designed for use with the bed for example, but not limited to hooks, belts, and jump ropes.

Pursuant to the Consumer Product Safety Improvement Act (CPSIA) Sec. 102 the manufacturer certifies compliance with the Consumer Product Safety Commission (CPSC) regulations listed below.

\*\*\*\* Product Information \*\*\*\*  
 (Stairway) / (End Ladder)  
 BUNK BED -

\*\*\*\* Safety Testing Information \*\*\*\*  
 Testing performed at one or more of the following independent testing locations:

Children's Product Certificates available

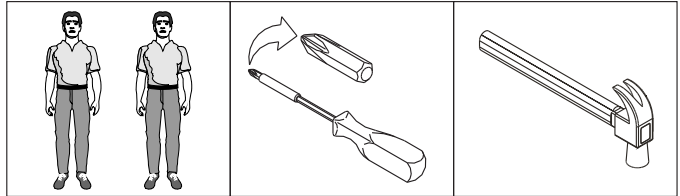
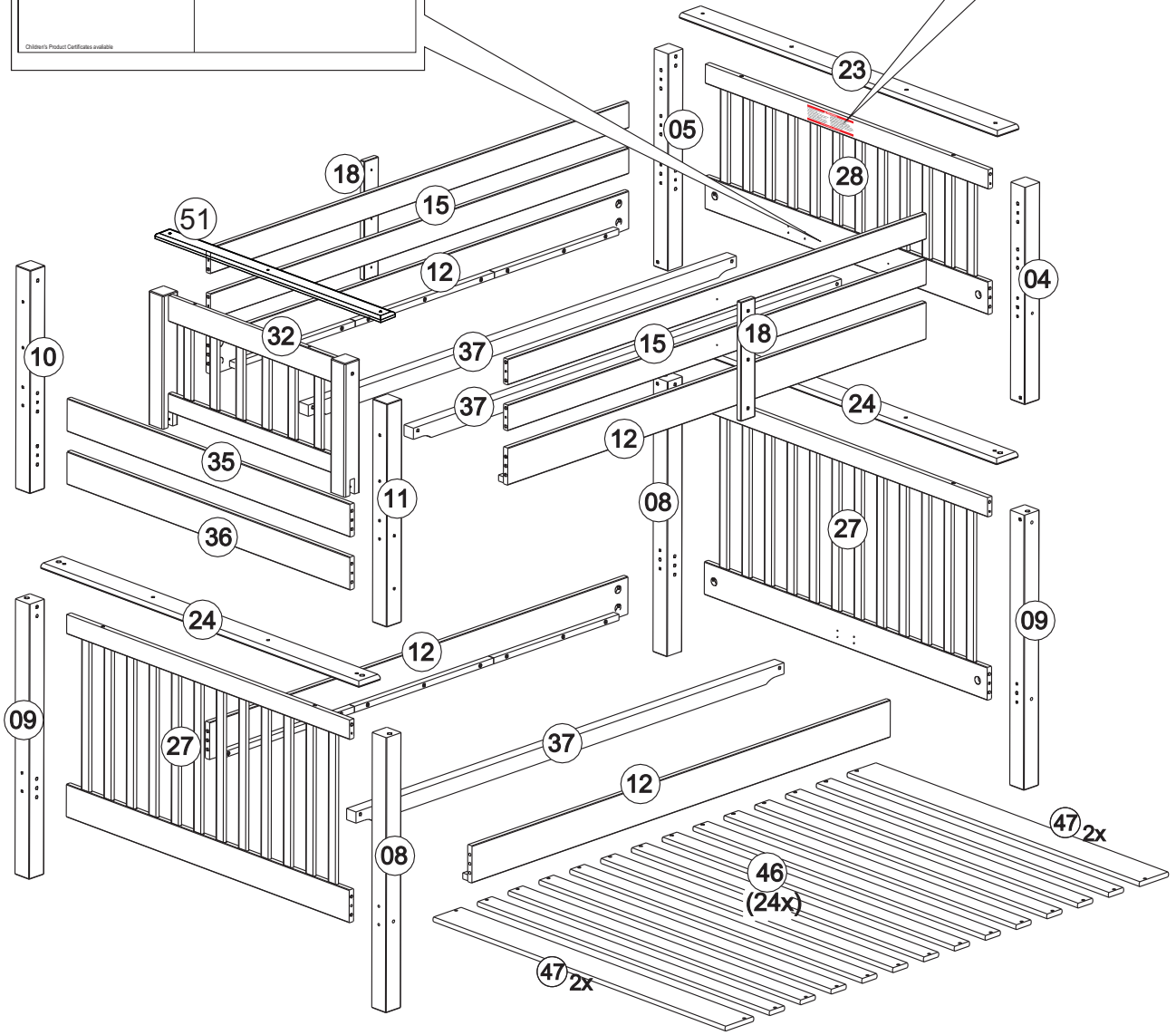
**WARNING**

To help prevent serious or fatal injuries from entrapment or falls:

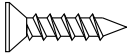


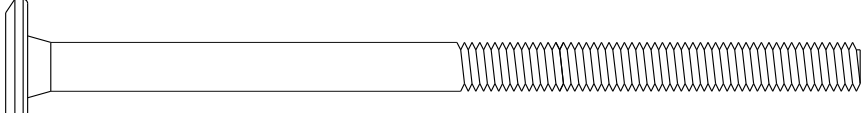
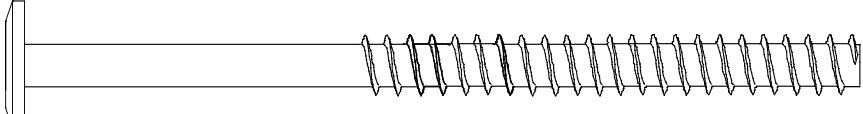
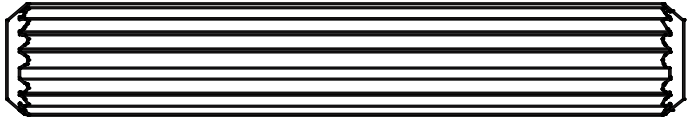

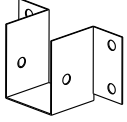
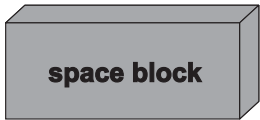
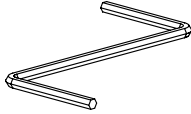
- Never allow a child under 6 years on upper bunk.
- Use only mattress which is 74" - 75" long and 52 1/2" - 53 1/2" wide on upper bunk.
- Use only mattress which is 74" - 75" long and 52 1/2" - 53 1/2" wide on lower bunk.
- Ensure thickness of mattress and foundation combined does not exceed 9" and mattress is at least 2" below upper edge of guardrail.

- Use guardrails on both sides of upper bunk.
- Prohibit horizontal on or under bed (s).
- Prohibit more than one person on upper bunk.
- Use ladder for entering and leaving upper bunk.
- STRANGULATION HAZARD - Never attach or hang items to any part of the bunk bed that are not designed for use with the bed, for example, but not limited to hooks, bats and jump ropes.

**DO NOT REMOVE THIS LABEL.**



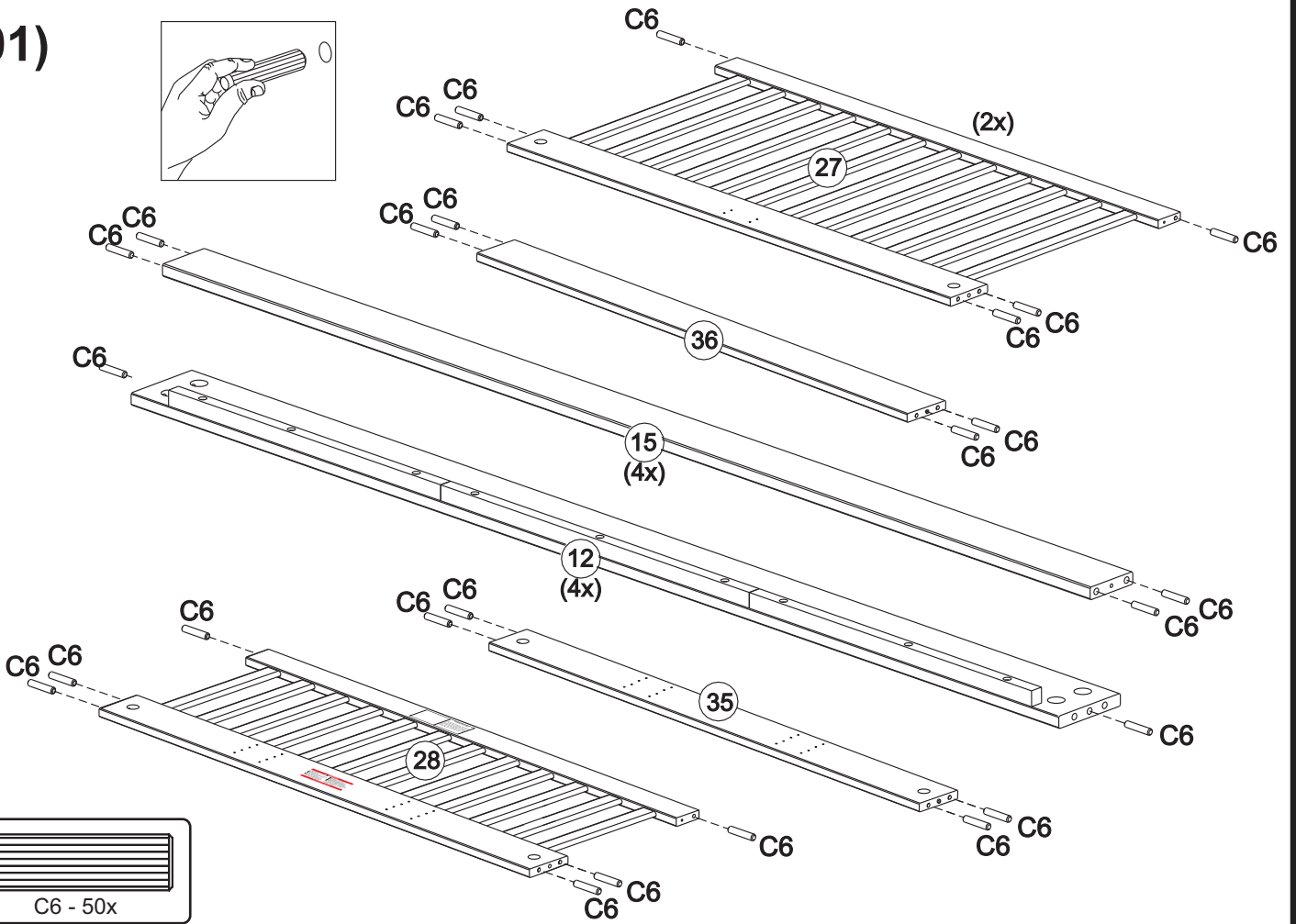
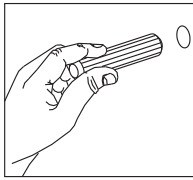
SCREWS ARE SHOWN IN ACTUAL SIZE

		Qty.	Extra
A5	 3,5x16	36	
A10	 3,5x30	89	
B5	 1/4"	24	+2
B7	 1/4"x110	24	+2
B16	 7,0x110	16	+2
C5	 15x90	4	
C6	 10x50	55	+2
D13		6	
G4	 space block	2	
G8		1	

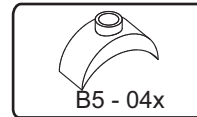
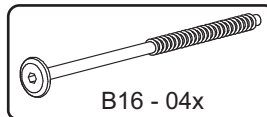
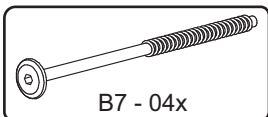
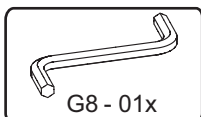
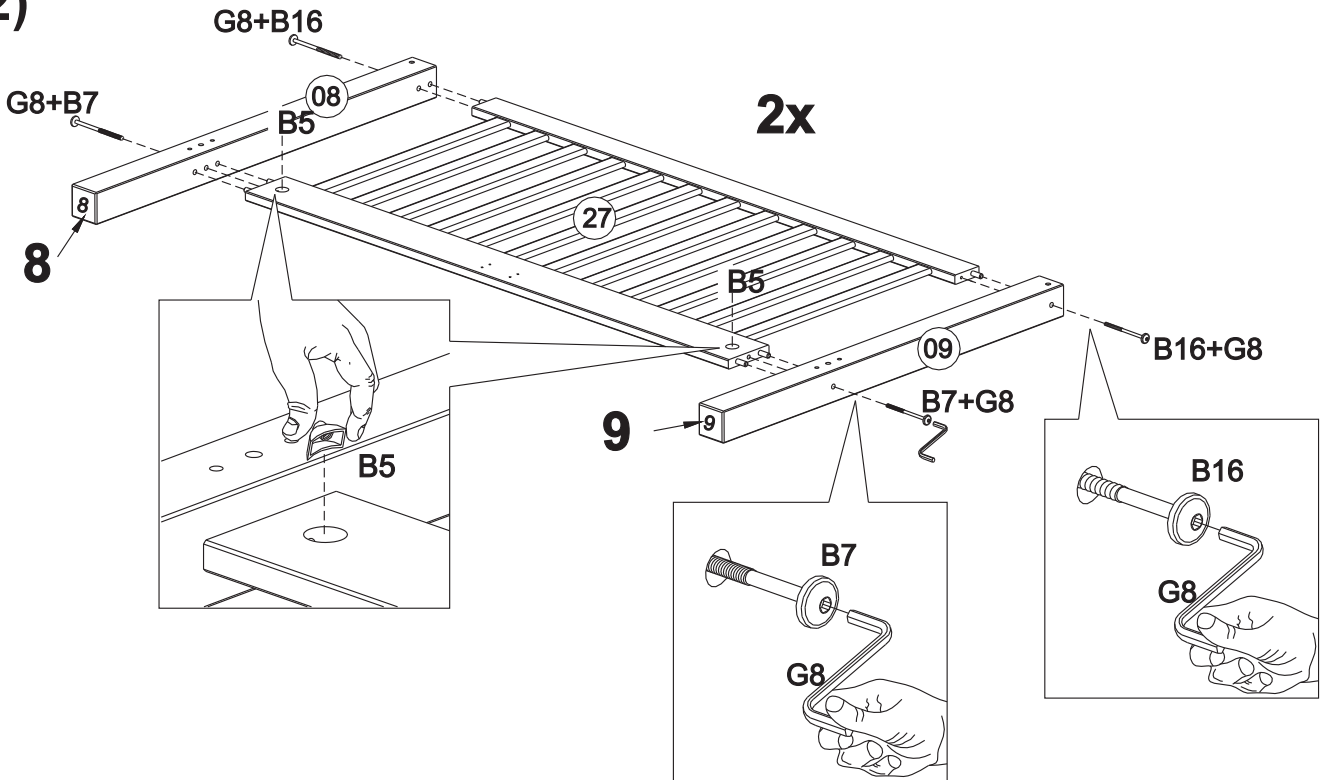
**WARNING - CHOKING HAZARD**

**To be Assembled by Adults only!  
Small parts can be a choking hazard for children**

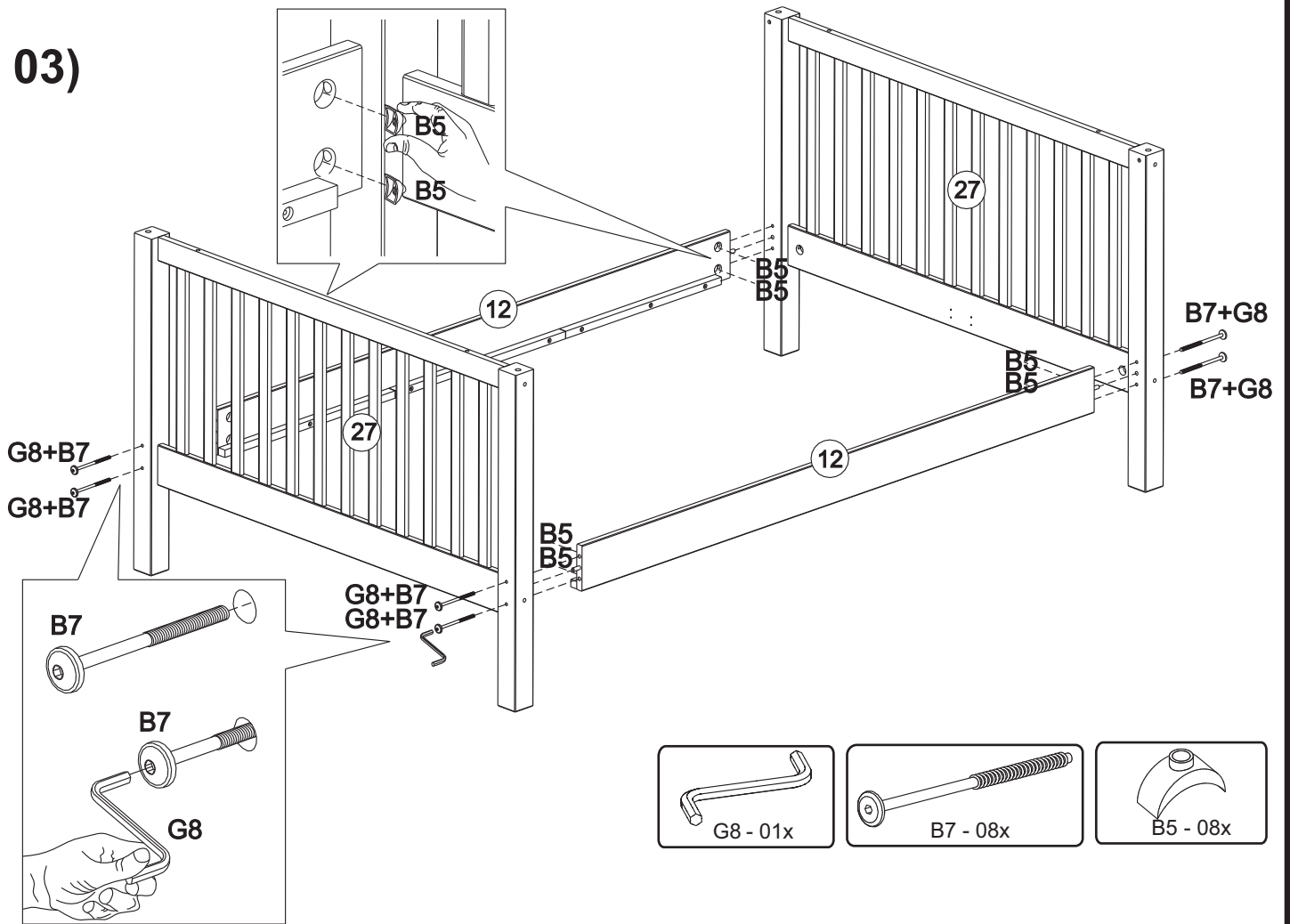
01)



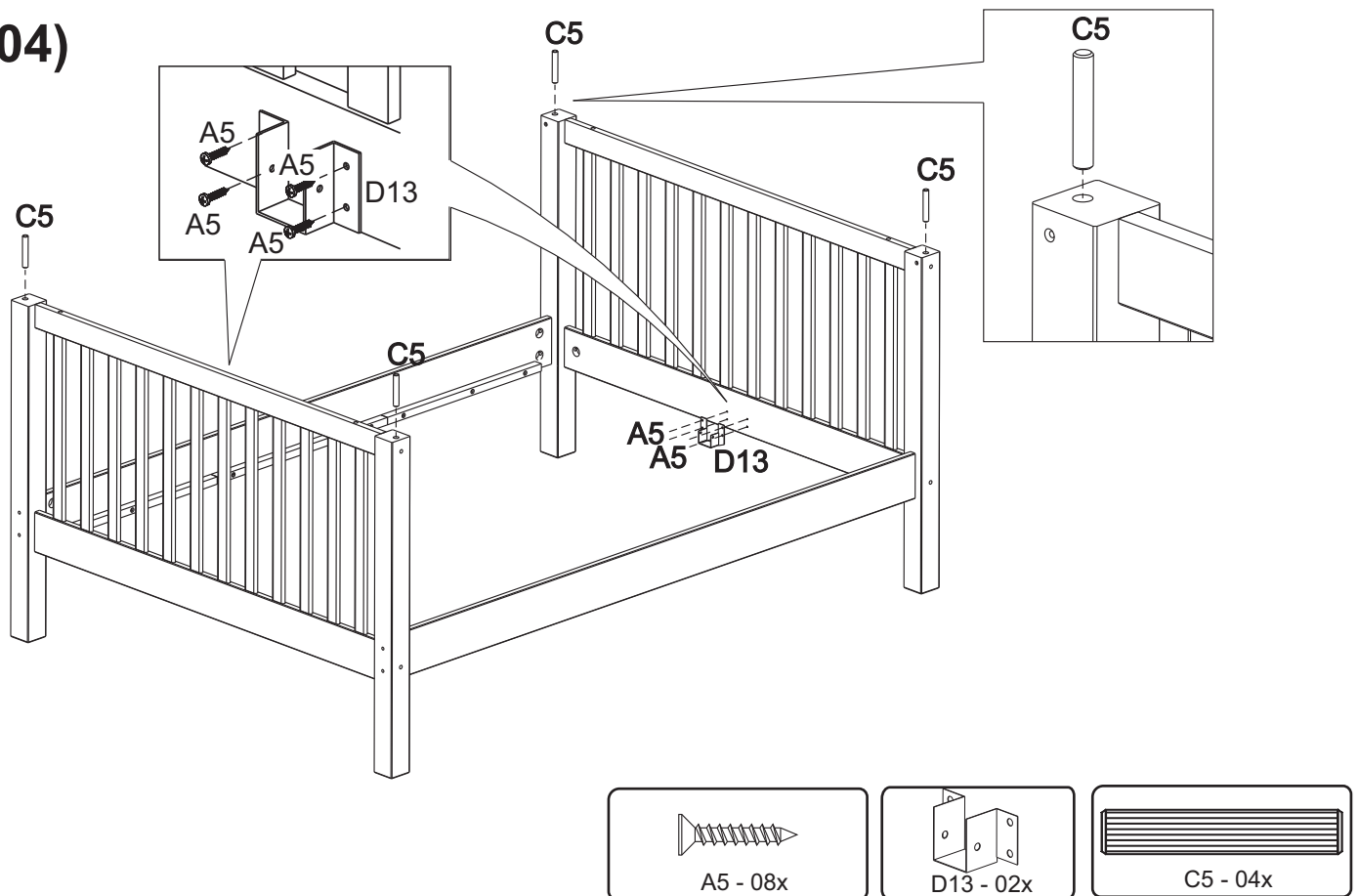
02)



03)

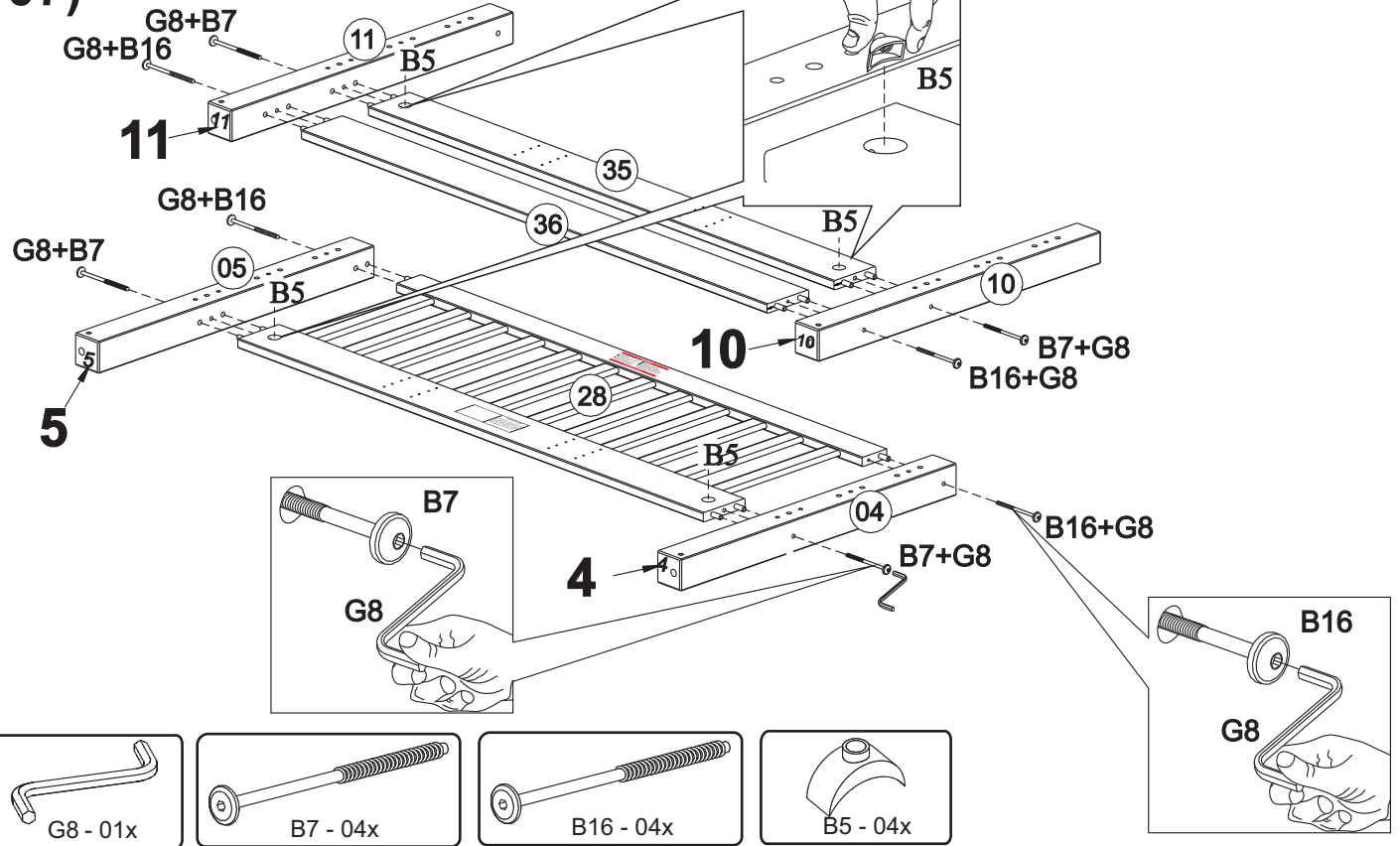


04)

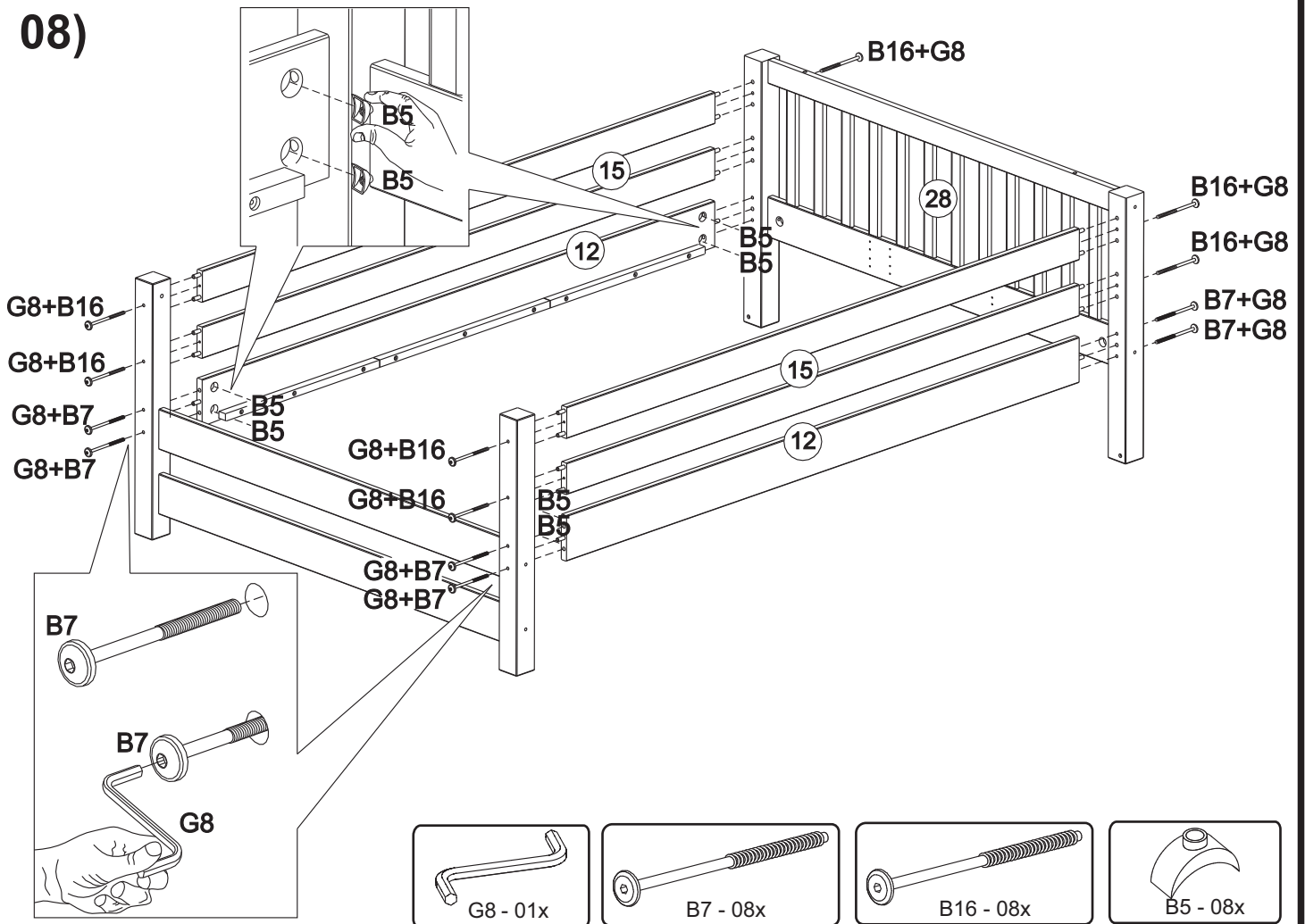




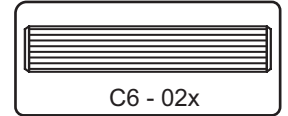
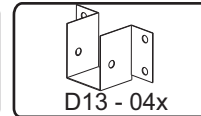
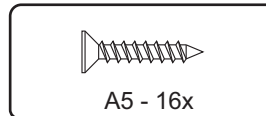
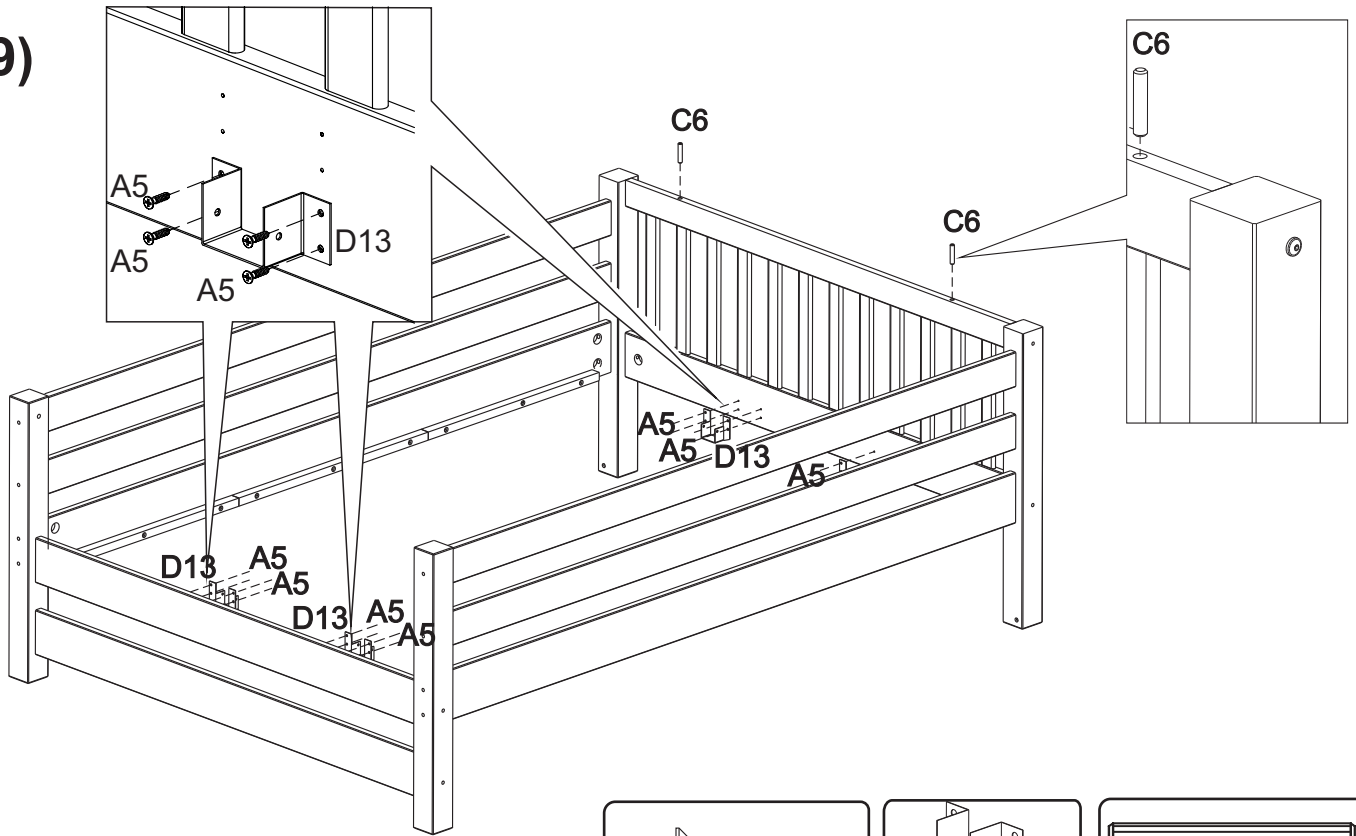
07)



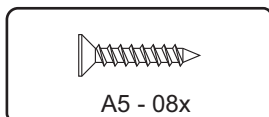
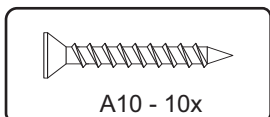
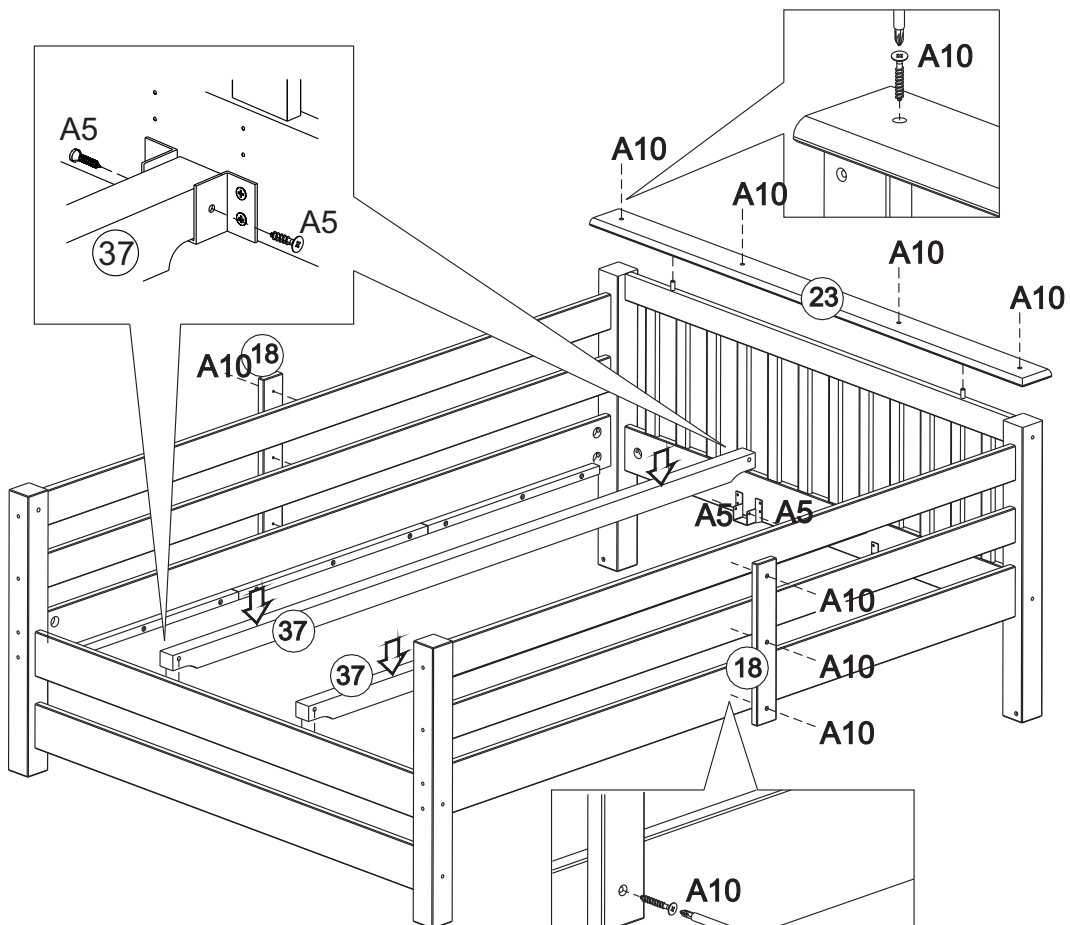
08)



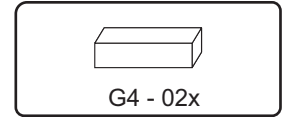
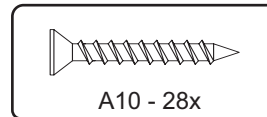
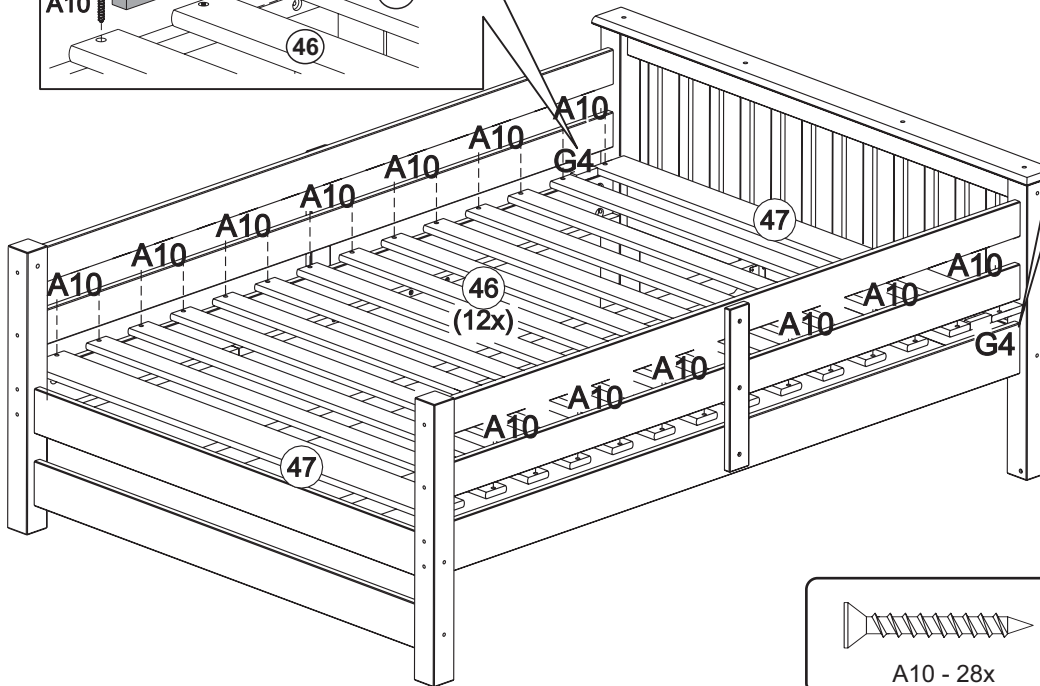
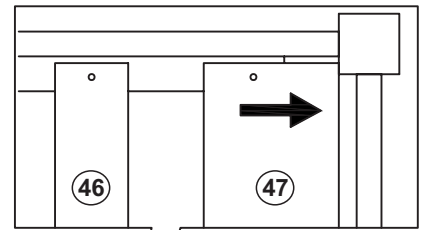
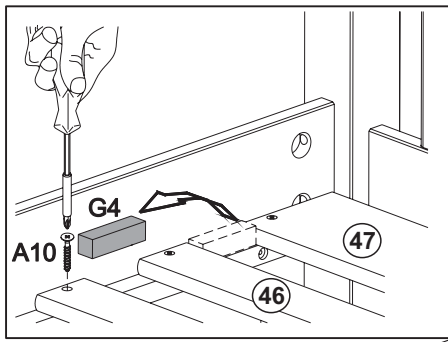
09)



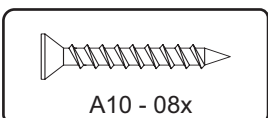
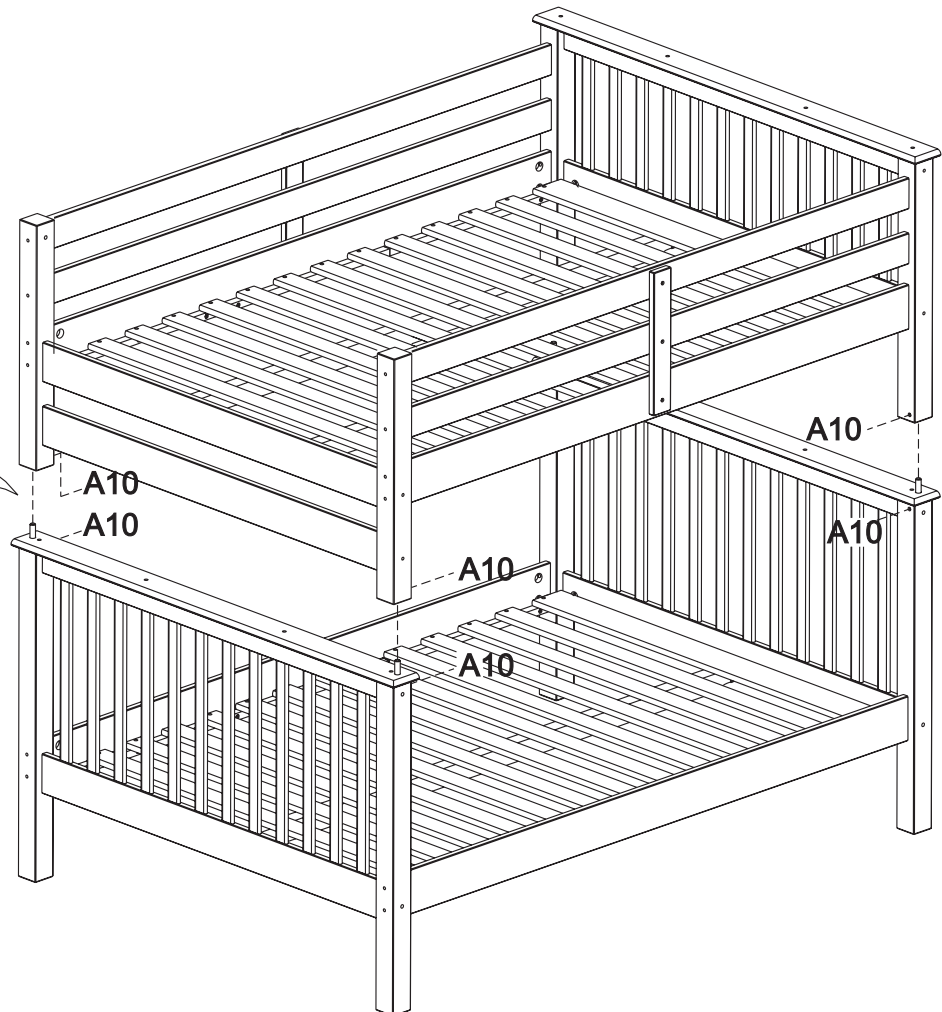
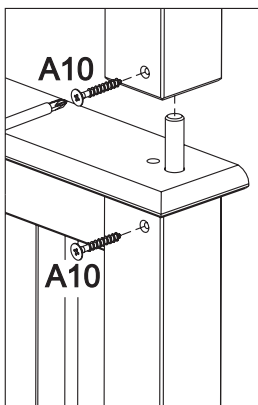
10)



11)

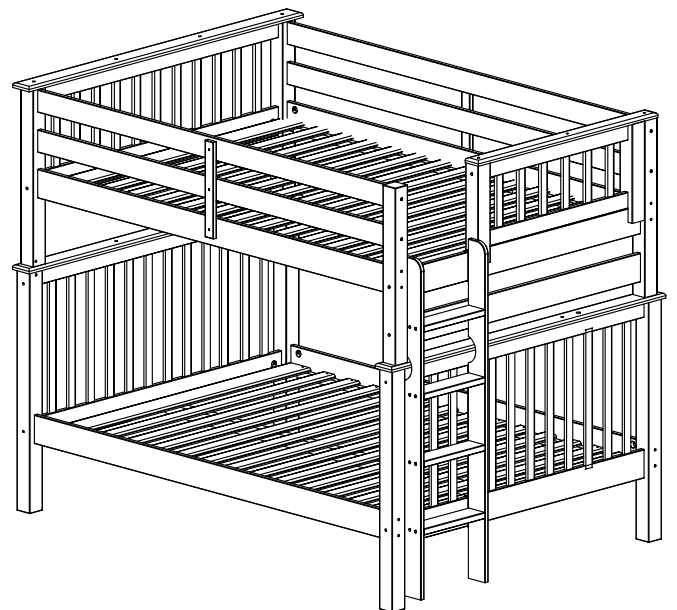
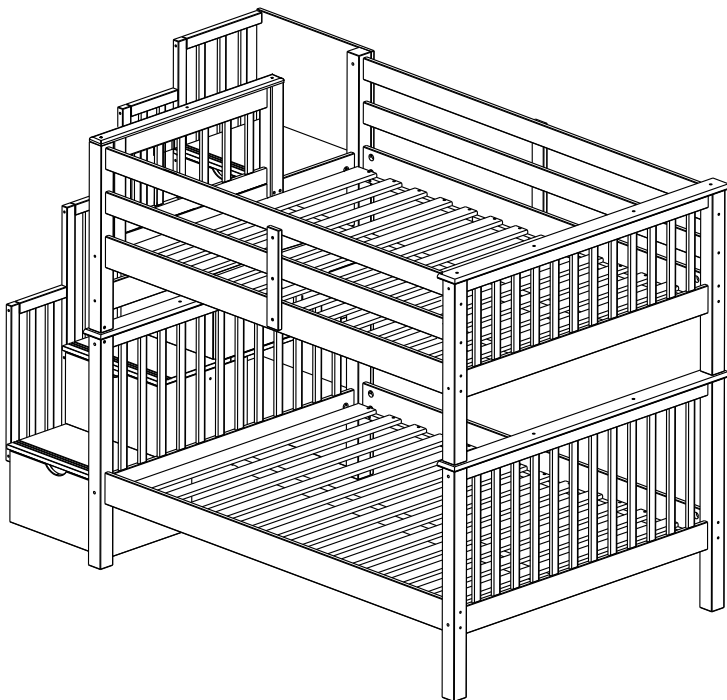
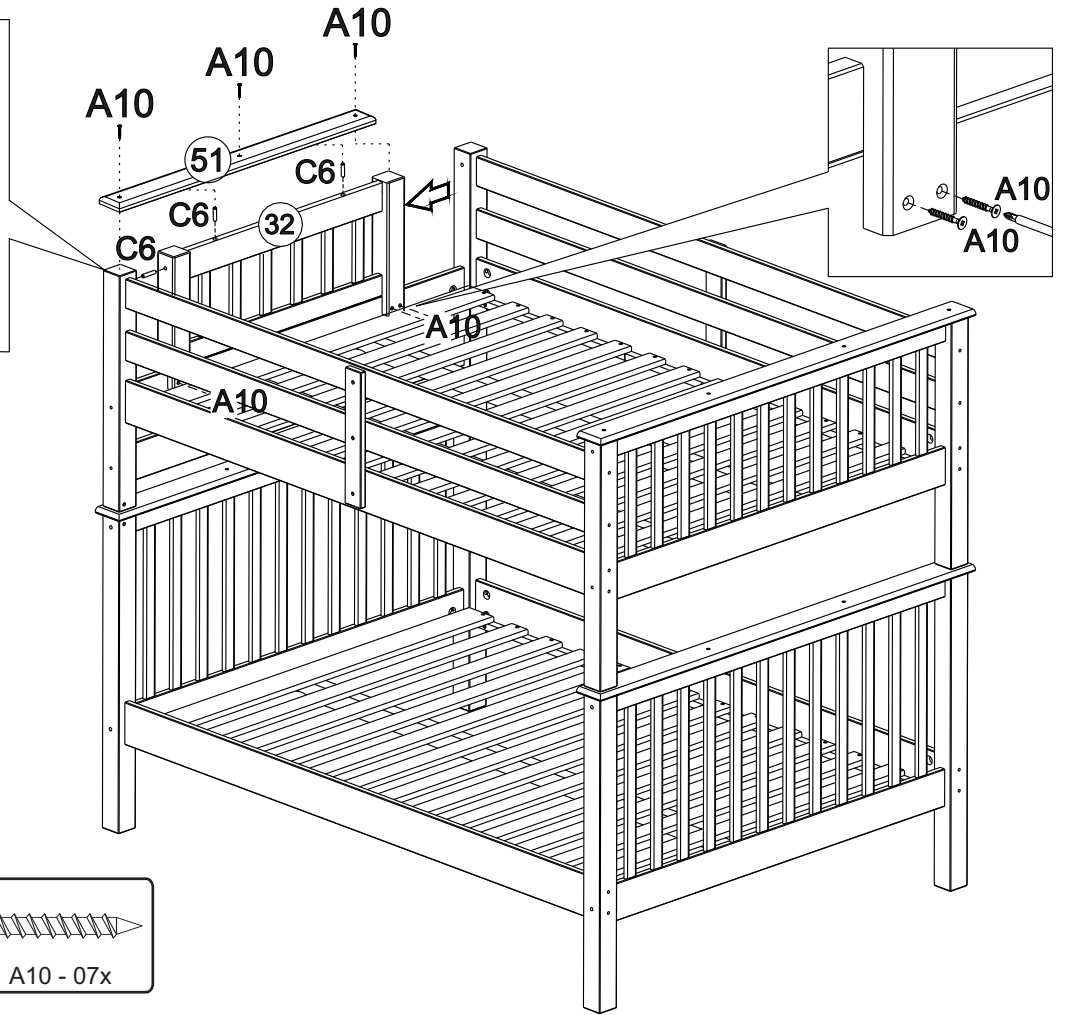
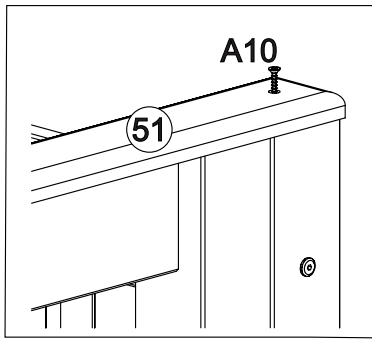


12)



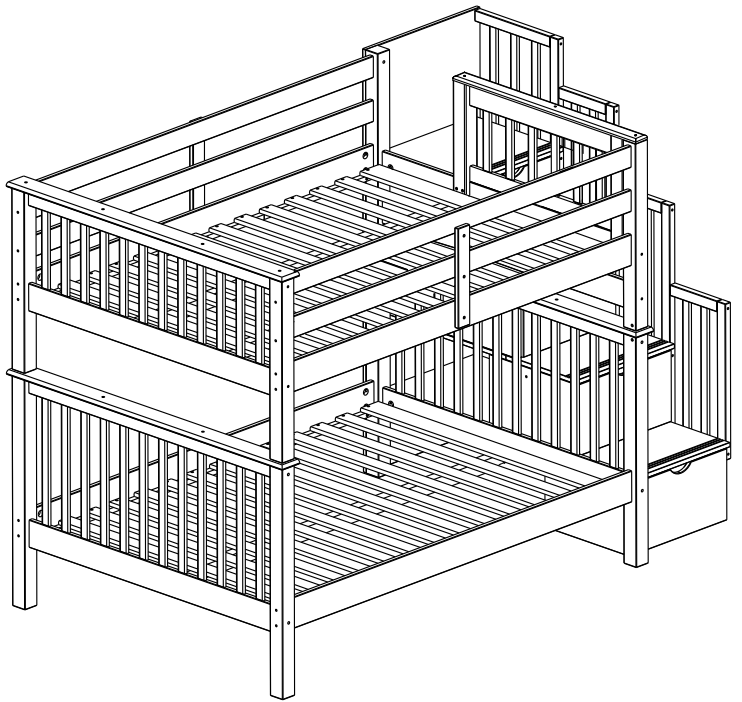
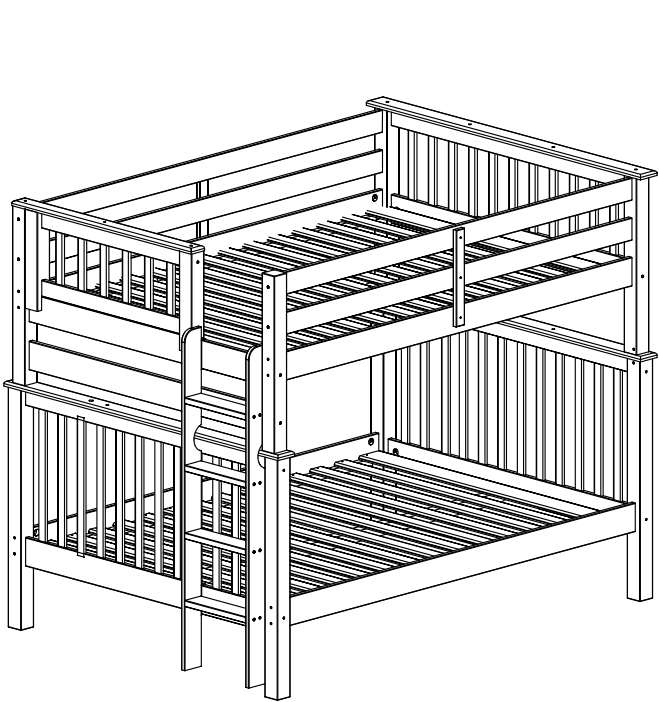
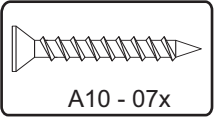
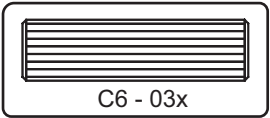
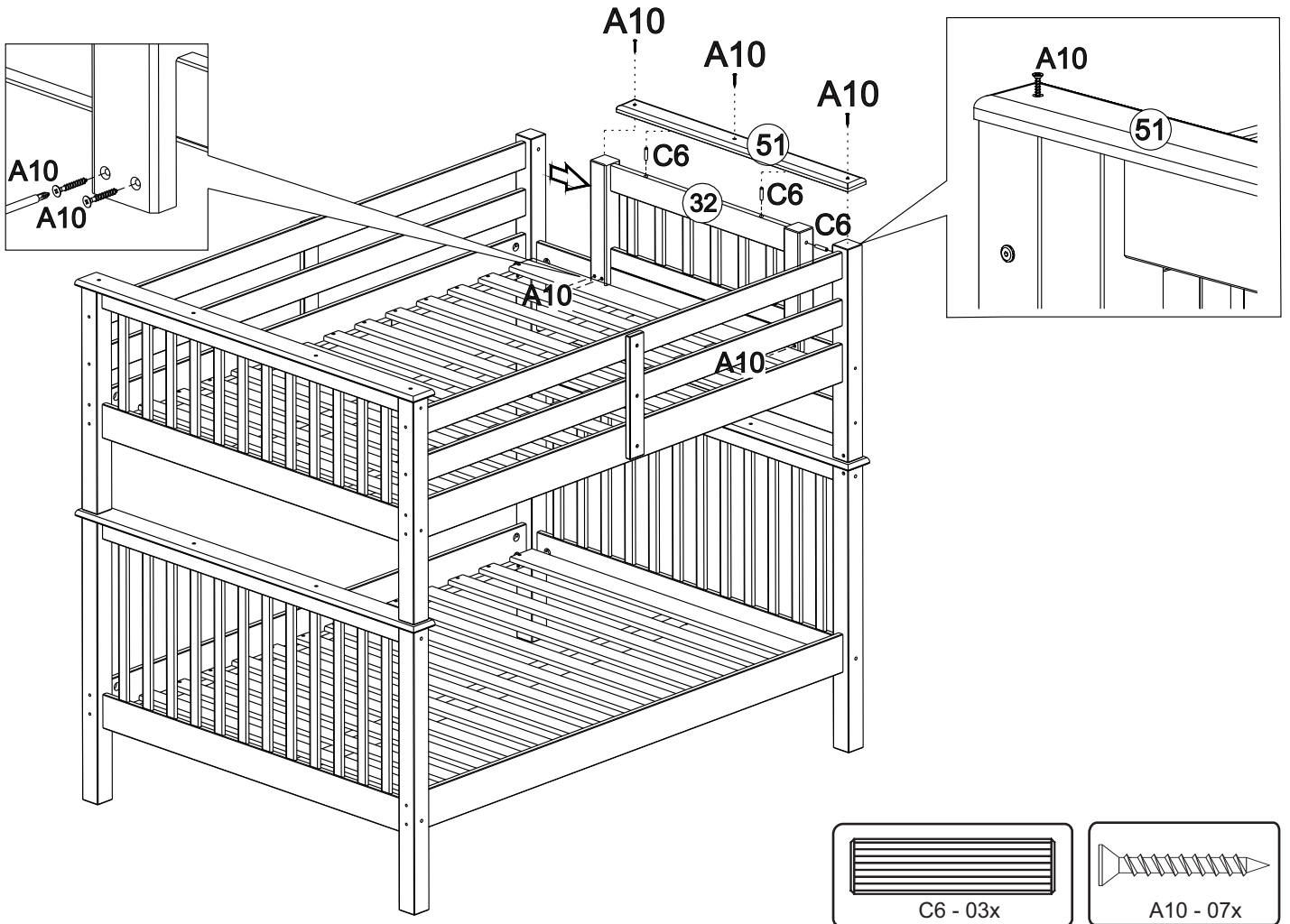
13)

Option: LEFT



14)

# Option: RIGHT



## **BEDDING SPECIFICATION**

- Always use the recommended size mattress or mattress support or both, to help prevent the likelihood of entrapment or falls.
- All bunk beds are supplied with a complete slat kit, so there is no need for a foundation or bunkie board.

## **BED MATTRESS SPECIFICATIONS**

Upper Bunk: Only use a mattress that is 74" - 75" long and 52 1/2" - 53 1/2" wide on the upper bunk.

- Ensure thickness of mattress and foundation combined does not exceed 9".

Lower Bunk: Only use a mattress that is 74" - 75" long and 52 1/2" - 53 1/2" wide on the lower bunk.

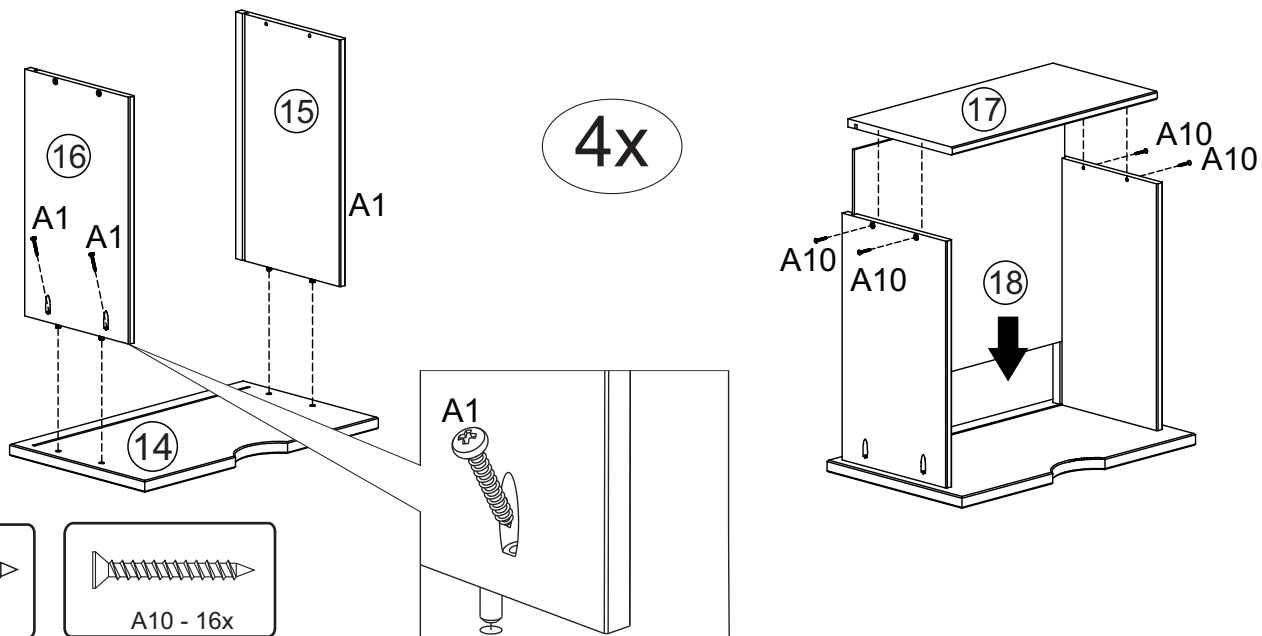
## **REPLACEMENT PARTS**

- Replacement parts, including additional guardrails may be obtained by contacting
- Guard rails are not available for the lower bunk. This bunk bed is not designed or certified to have guard rails installed on the lower bunk.

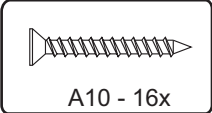
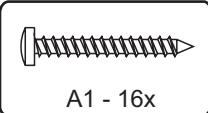
## **ASSEMBLY TIPS**

- Power tools are not recommended for assembling your furniture.
- Give yourself plenty of room to work.
- Due to the size of this bunkbed, it must be assembled within the space it will occupy.
- The assembly will require at least two people to complete.
- Make sure all the fasteners are tight.
- Take your time and read the instructions carefully.

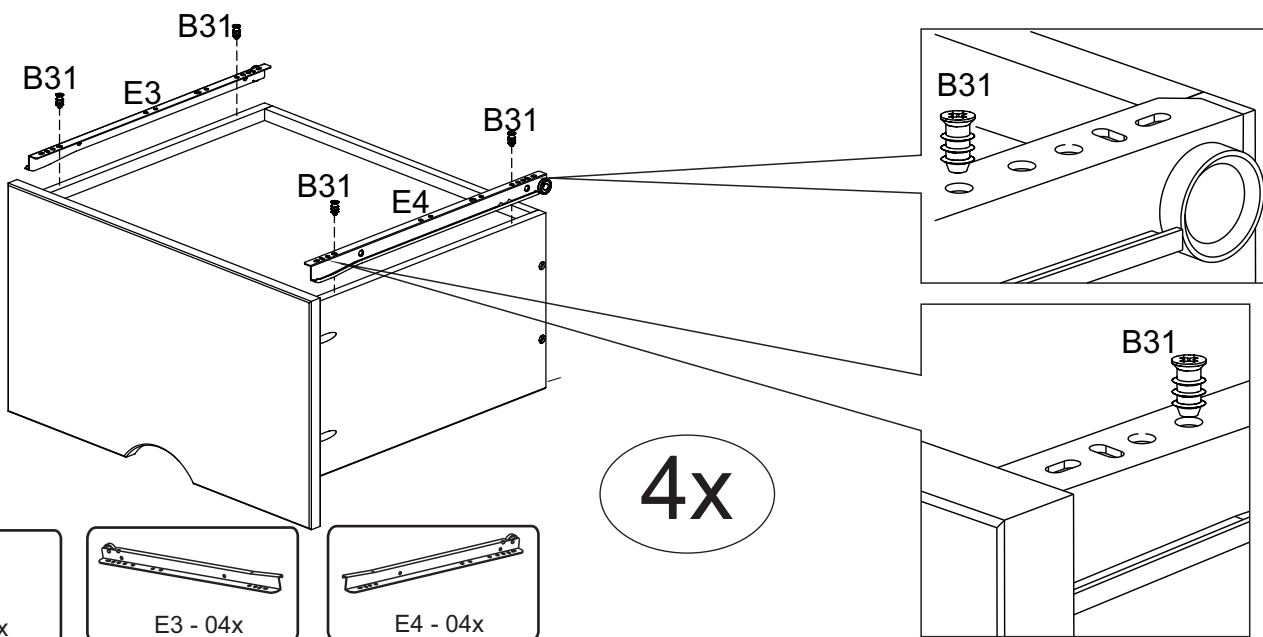
15



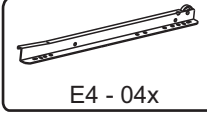
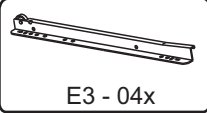
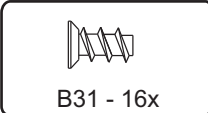
4x



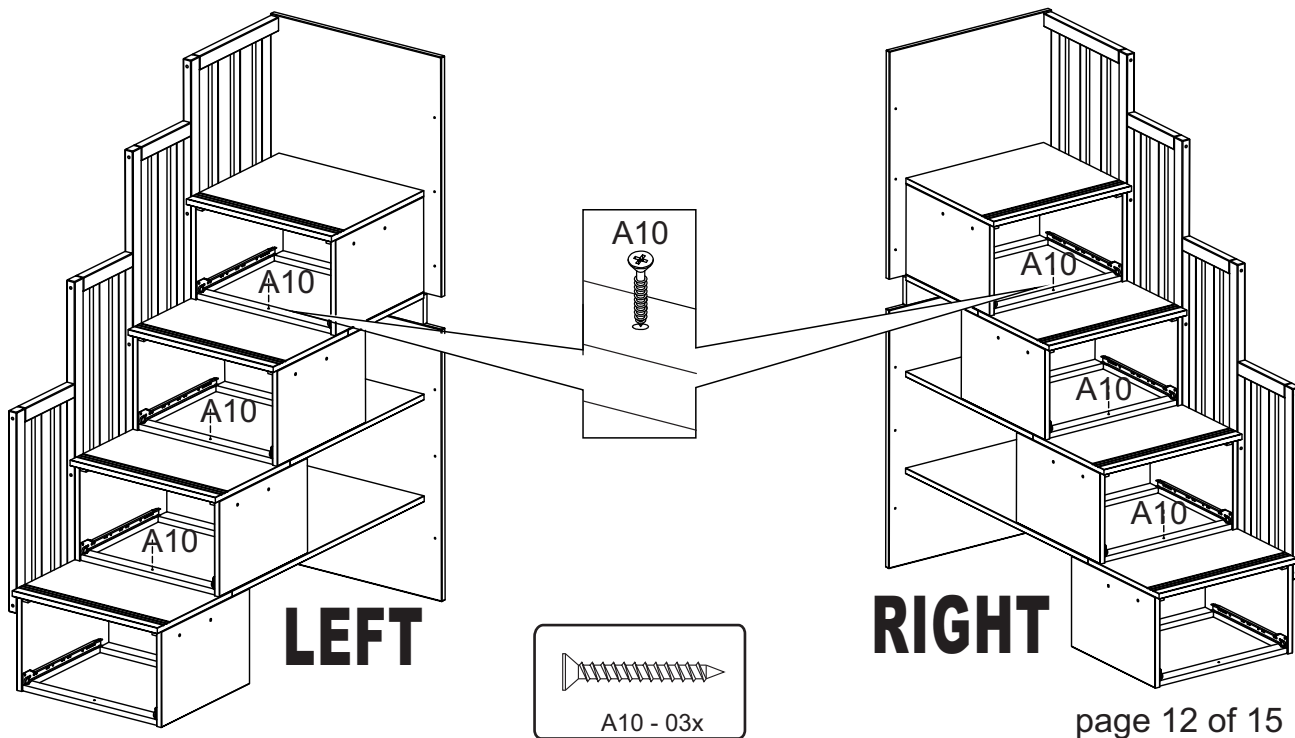
16



4x

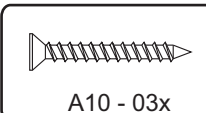


17

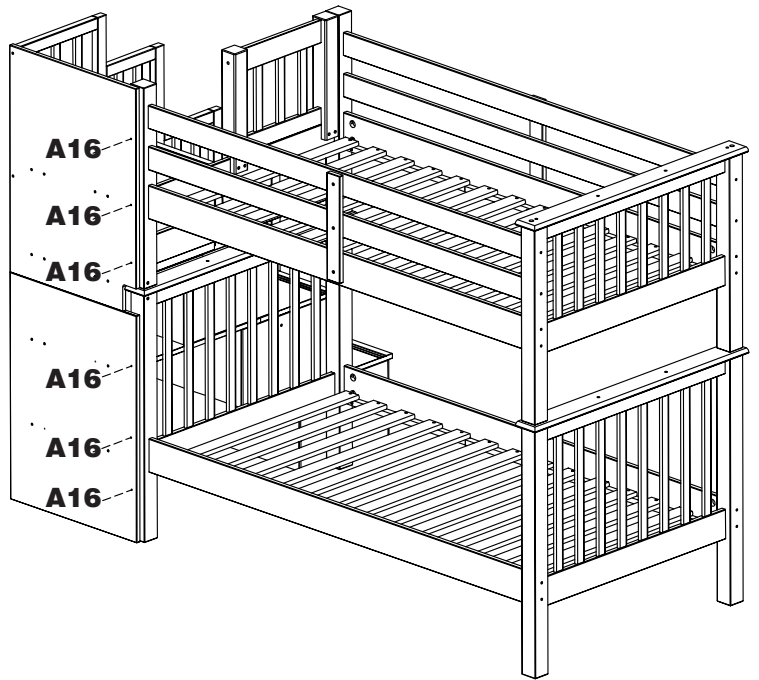
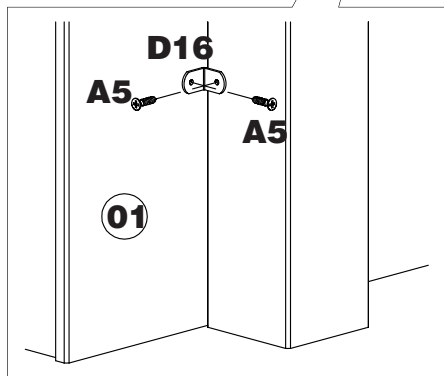
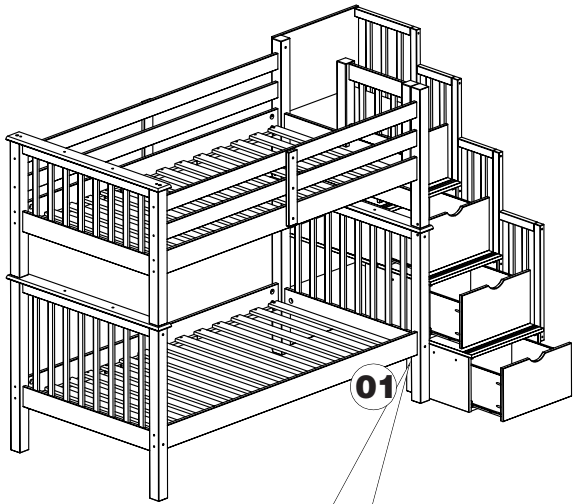


LEFT

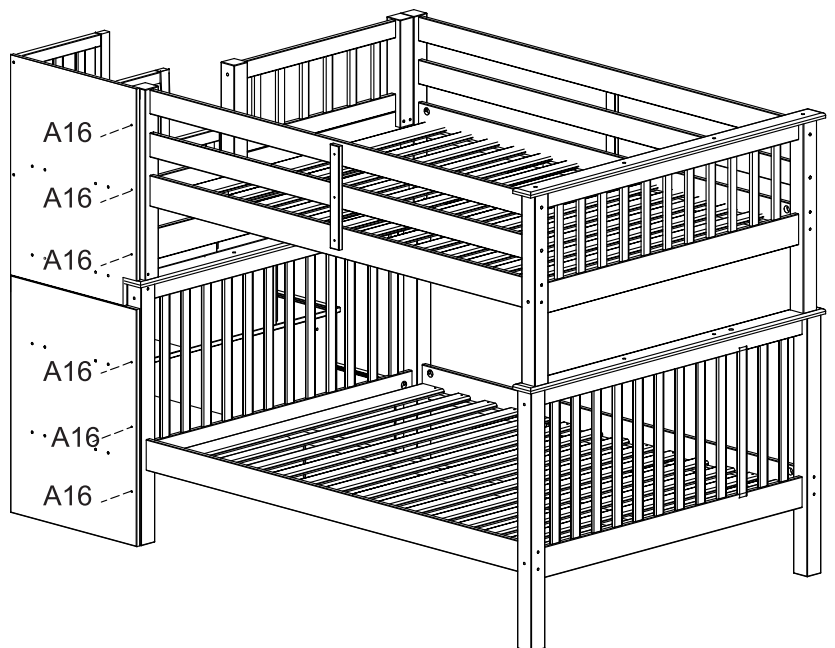
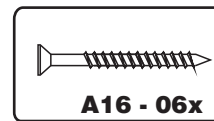
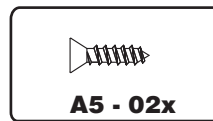
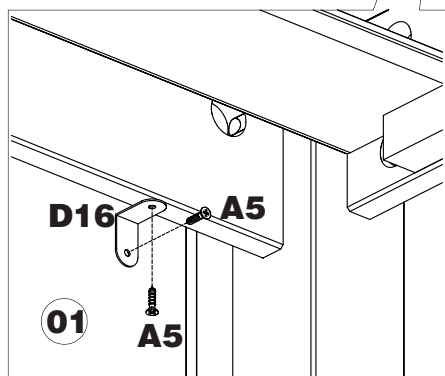
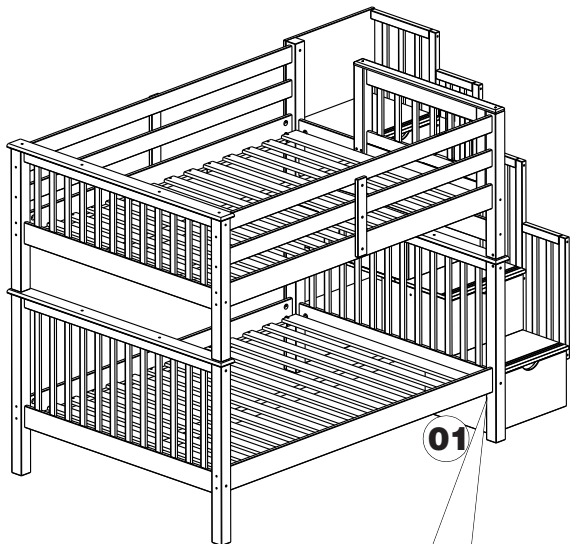
RIGHT



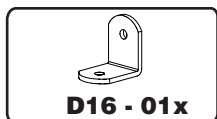
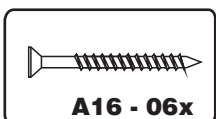
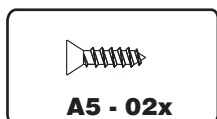
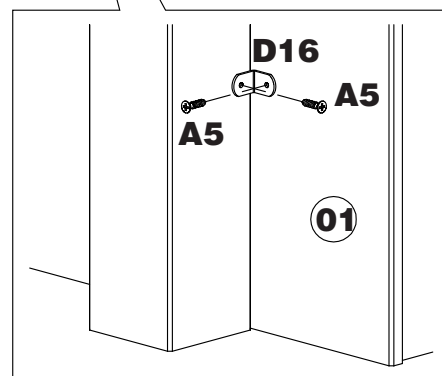
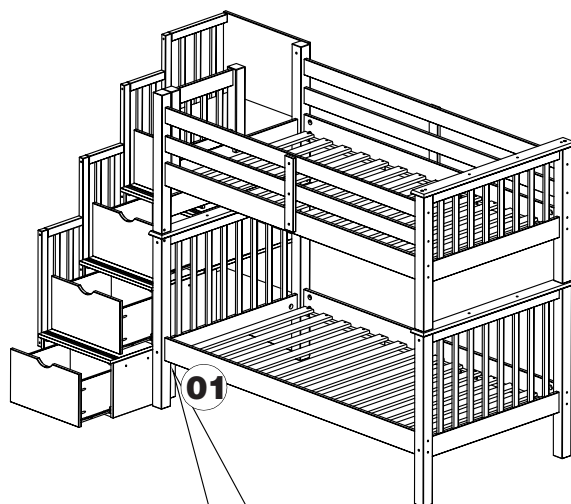
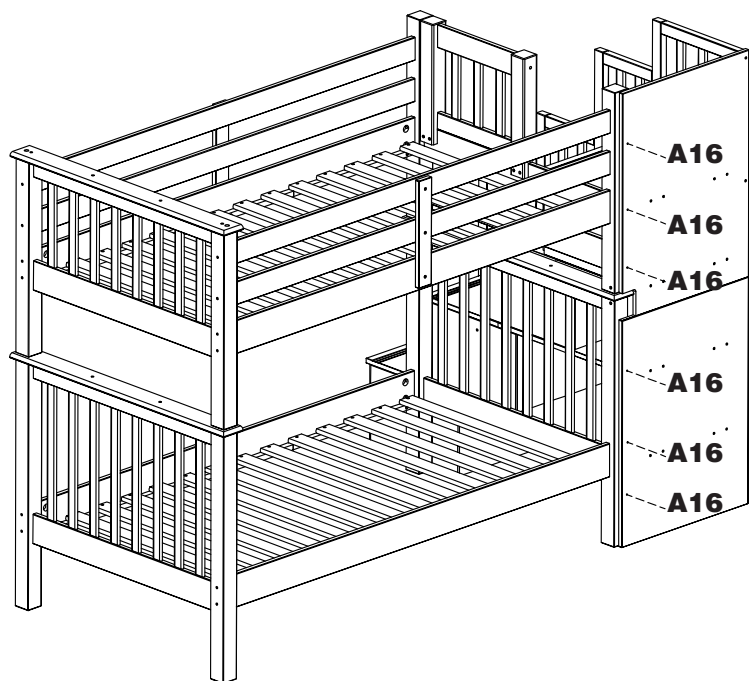
# 18 - RIGHT - TWIN



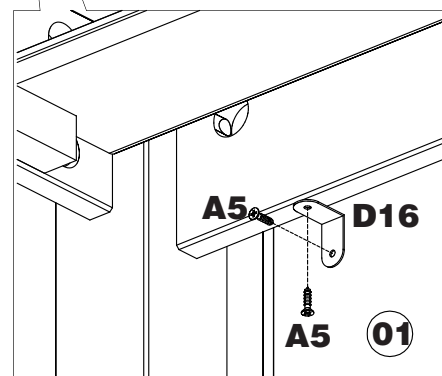
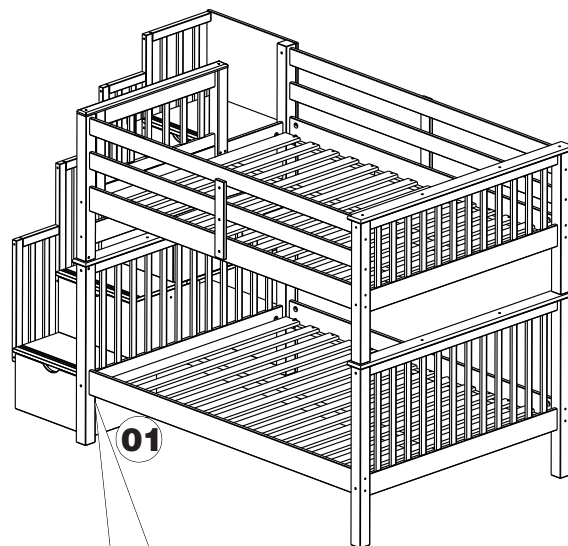
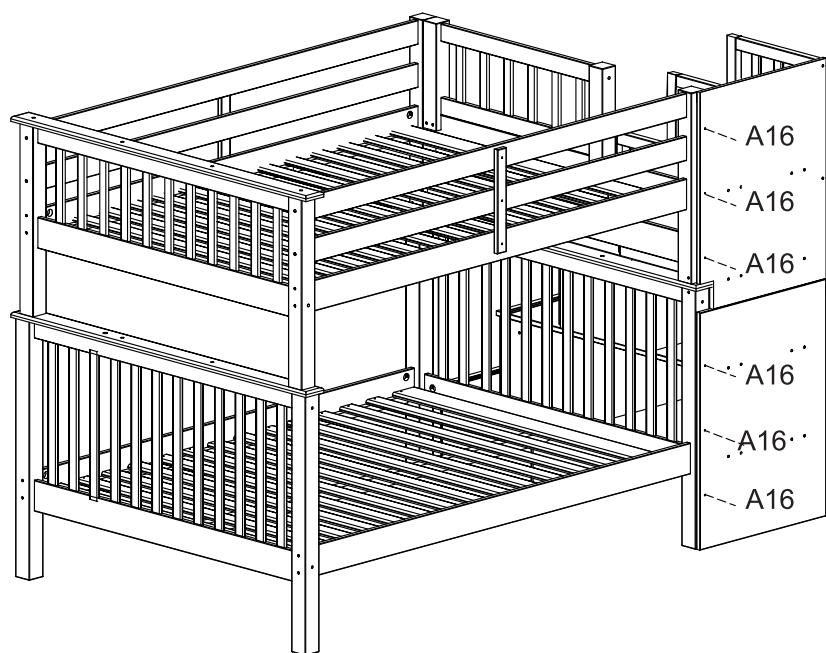
# 18 - RIGHT - FULL



# 19 - LEFT - TWIN



# 19 - LEFT - FULL



## **BEDDING SPECIFICATION**

- Always use the recommended size mattress or mattress support or both, to help prevent the likelihood of entrapment or falls.
- All bunk beds are supplied with a complete slat kit, so there is no need for a foundation or bunkie board.

## **BED MATTRESS SPECIFICATIONS**

### **TWIN OVER TWIN**

Upper Bunk: Only use a mattress that is 74" - 75" long and 37 1/2" - 38 1/2" wide on the upper bunk.

- Ensure thickness of mattress and foundation combined does not exceed 9".

Lower Bunk: Only use a mattress that is 74" - 75" long and 37 1/2" - 38 1/2" wide on the lower bunk.

### **TWIN OVER FULL**

Upper Bunk: Only use a mattress that is 74" - 75" long and 37 1/2" - 38 1/2" wide on the upper bunk.

- Ensure thickness of mattress and foundation combined does not exceed 9".

Lower Bunk: Only use a mattress that is 74" - 75" long and 52 1/2" - 53 1/2" wide on the lower bunk.

### **FULL OVER FULL**

Upper Bunk: Only use a mattress that is 74" - 75" long and 52 1/2" - 53 1/2" wide on the upper bunk.

- Ensure thickness of mattress and foundation combined does not exceed 9".

Lower Bunk: Only use a mattress that is 74" - 75" long and 52 1/2" - 53 1/2" wide on the lower bunk.

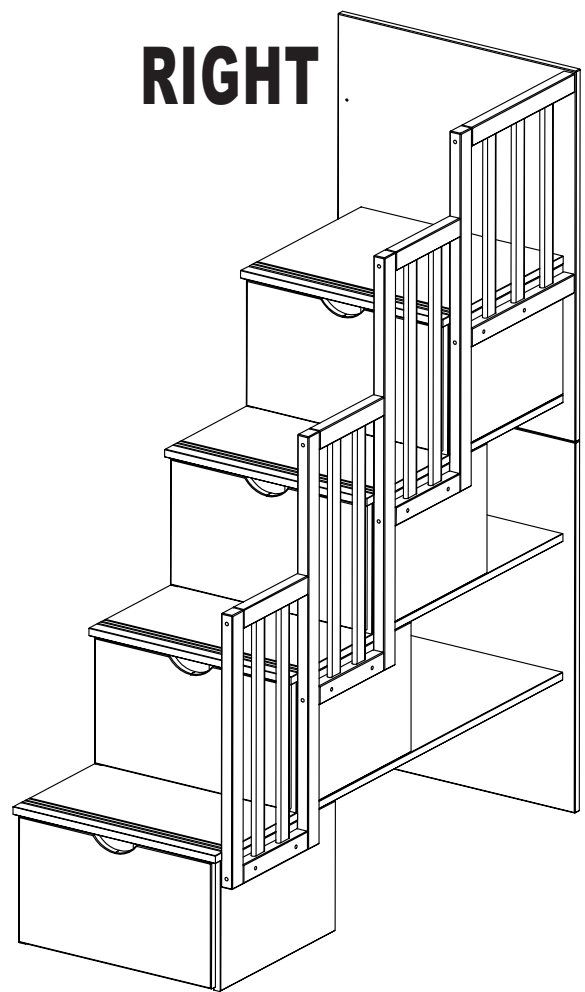
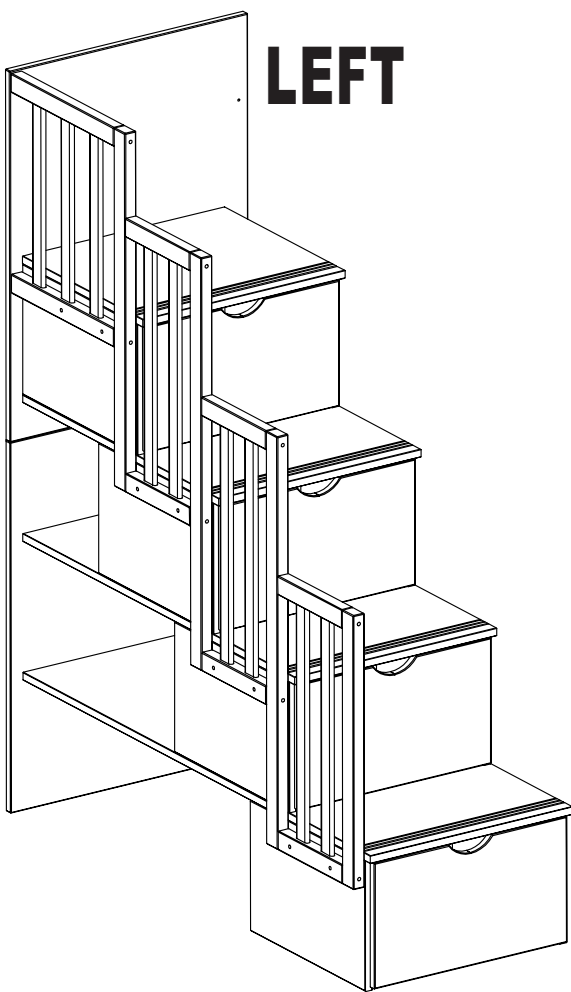
## **REPLACEMENT PARTS**

- Replacement parts, including additional guardrails may be obtained by contacting
- Guard rails are not available for the lower bunk. This bunk bed is not designed or certified to have guard rails installed on the lower bunk.

## **ASSEMBLY TIPS**

- Power tools are not recommended for assembling your furniture.
- Give yourself plenty of room to work.
- Due to the size of this bunkbed, it must be assembled within the space it will occupy.
- The assembly will require at least two people to complete.
- Make sure all the fasteners are tight.
- Take your time and read the instructions carefully.

# 4 Step Stairway

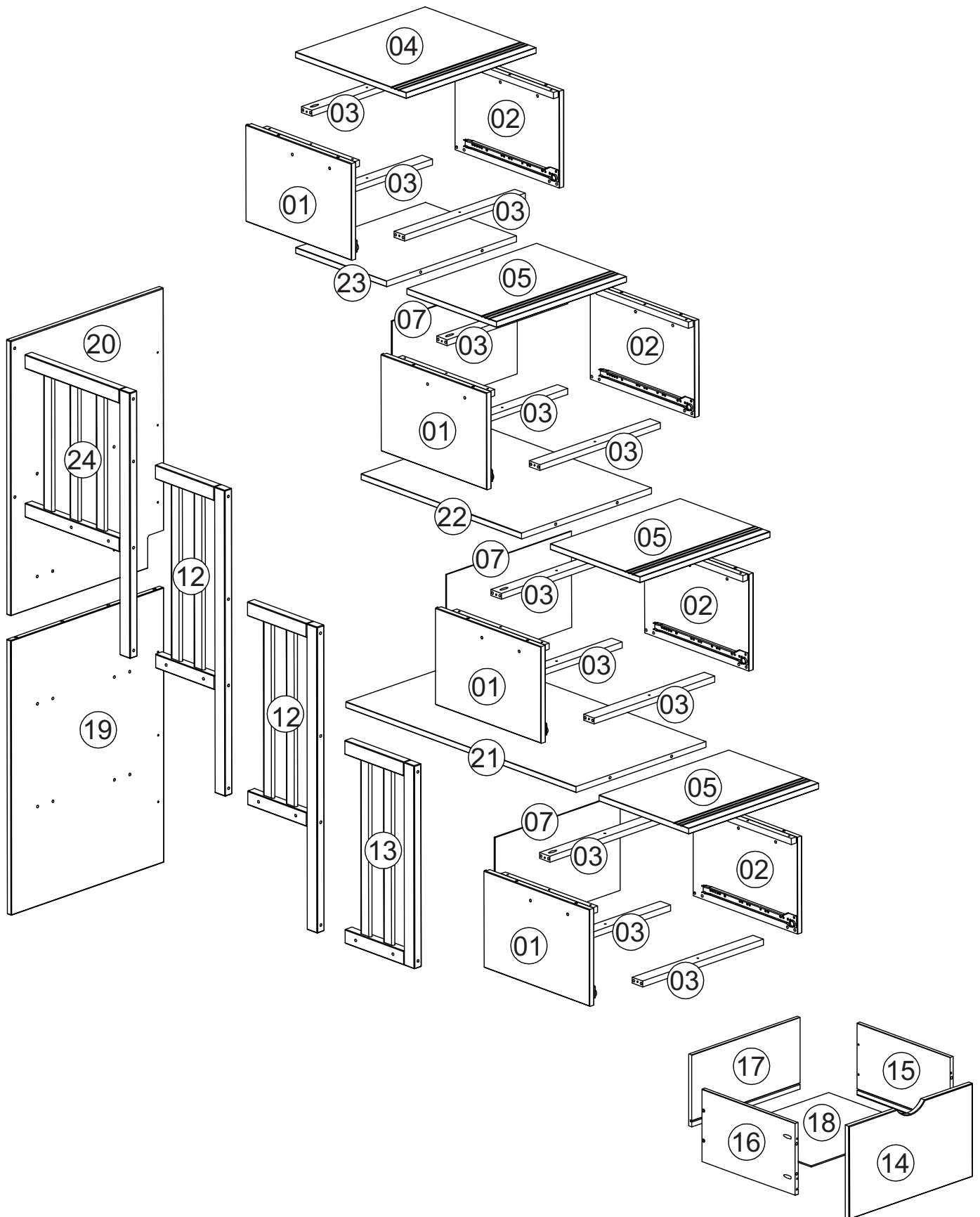


Thank you for purchasing .  
Every effort has been made to ensure your Furniture is  
of the finest quality.

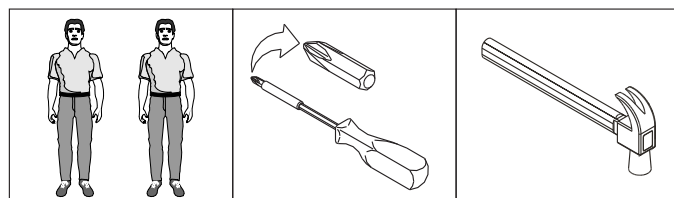
**READ THESE INSTRUCTIONS CAREFULLY BEFORE  
ATTEMPTING TO ASSEMBLE THIS BED**

**SAFETY WARNINGS AND GENERAL NOTES**



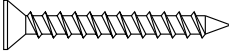

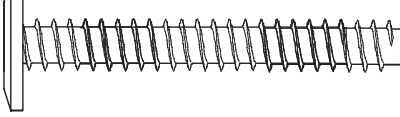
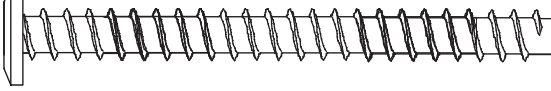
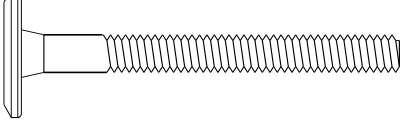



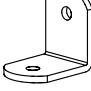

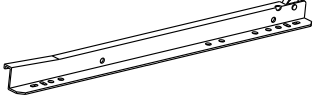
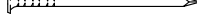


- ✓ Follow the information on the warning labels on the upper bunk bed structure and on the carton. Do not remove warning label from the bed.
- ✓ Always use the recommended size mattress or mattress support, or both, to help prevent the likelihood of entrapment or falls.
- ✓ The top surfaces of the mattress must be at least 5" below the upper edge of the guardrails.
- ✓ **Do not** allow children under 6 years of age to use the upper bunk.
- ✓ **Prohibit** more than one person on the upper bunk.
- ✓ Periodically check and ensure that the guardrails, ladder and other components are in their proper position, free from damage, and that all connectors are tight.
- ✓ **Do not** allow horseplay on or under the bed. Always prohibit jumping on the bed.
- ✓ Always use the ladder for entering and leaving the upper bunk.
- ✓ **Do not** use substitute parts. Contact the manufacturer or dealer for replacement parts.
- ✓ Use of a night-light may provide added safety for a child using the upper bunk.
- ✓ If the bunk bed will be placed next to the wall, the guardrail that runs the full length of the bed should be placed against the wall to prevent entrapment between the bed and the wall.
- ✓ Always use guardrails on both long sides of the upper bunk.
- ✓ The use of a water or sleep floatation mattress is prohibited.
- ✓ Keep these instructions for future reference.
- ✓ We recommend assembling your bunk bed on the shipping carton to protect your floor or carpet. Be certain all staples are out of the box before beginning assembly on the shipping carton.
- ✓ **Strangulation Hazard** Never attach or hang items to any part of the bunk bed that are not designed for use with the bed for example, but not limited to hooks, belts, and jump ropes.



**4x**



SCREWS ARE SHOWN IN ACTUAL SIZE

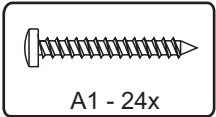
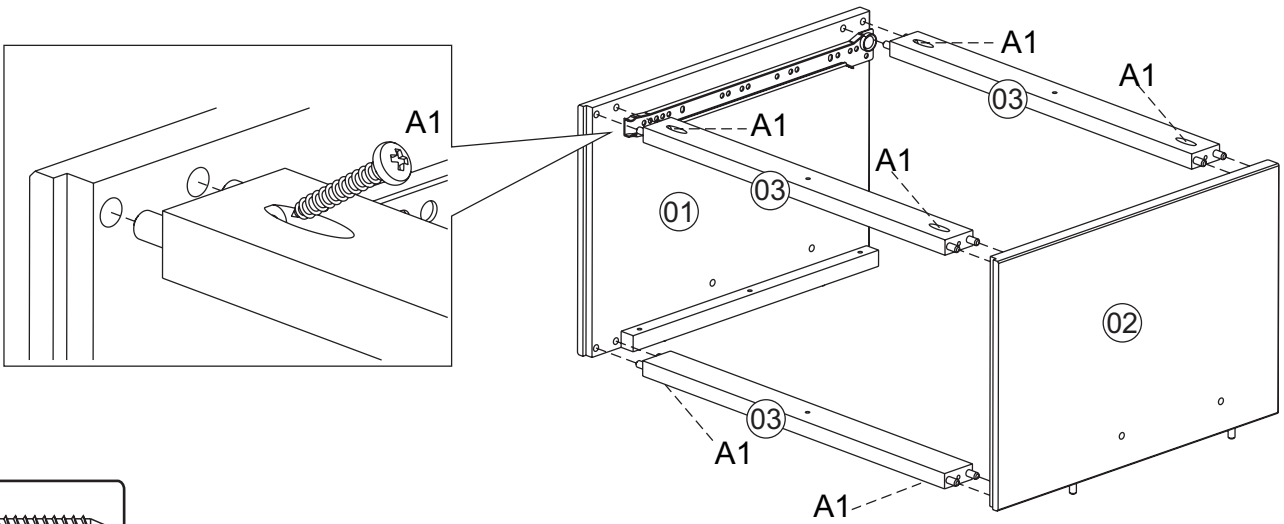
			Qty.	Extra
A1		4,0x30	40	
A5		3,5x16	2	
A10		3,5x30	47	+2
A16		4,0x40	6	
B8		7,0x50	10	
B19		7,0x70	6	
B20		1/4"x50	8	
B31		6,0x10	16	+2
C1		8,0x30	94	+2
C6		10x50	4	
D16			1	
E3		L1	4	
E4		L2	4	
G1		10x10	42	
G3			1	
G8			1	

 **WARNING:**  
CHOKING HAZARD - - Small Parts

Not for Children.  
To be Assembled by an Adult.

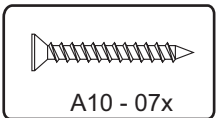
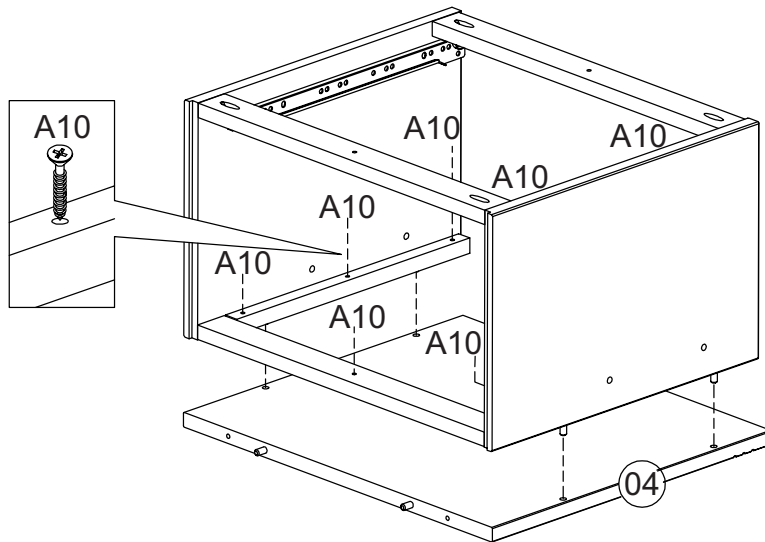


# 03



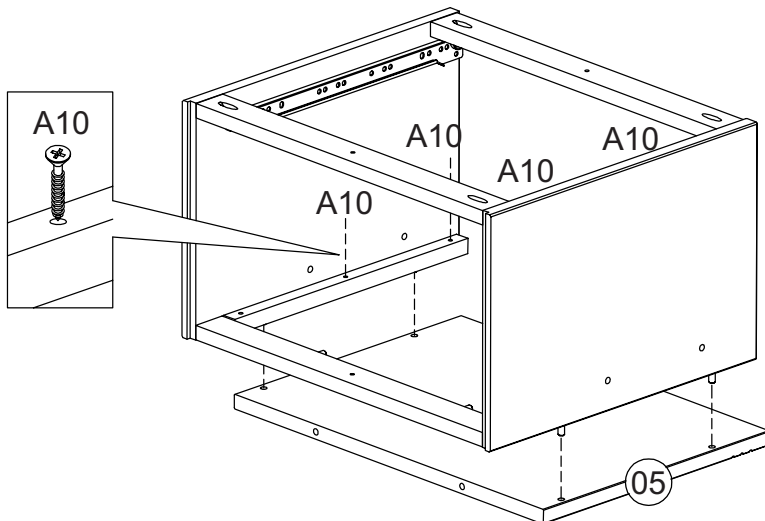
A1 - 24x

# 04

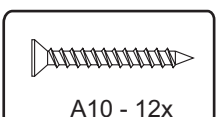


A10 - 07x

# 05

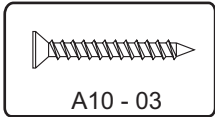
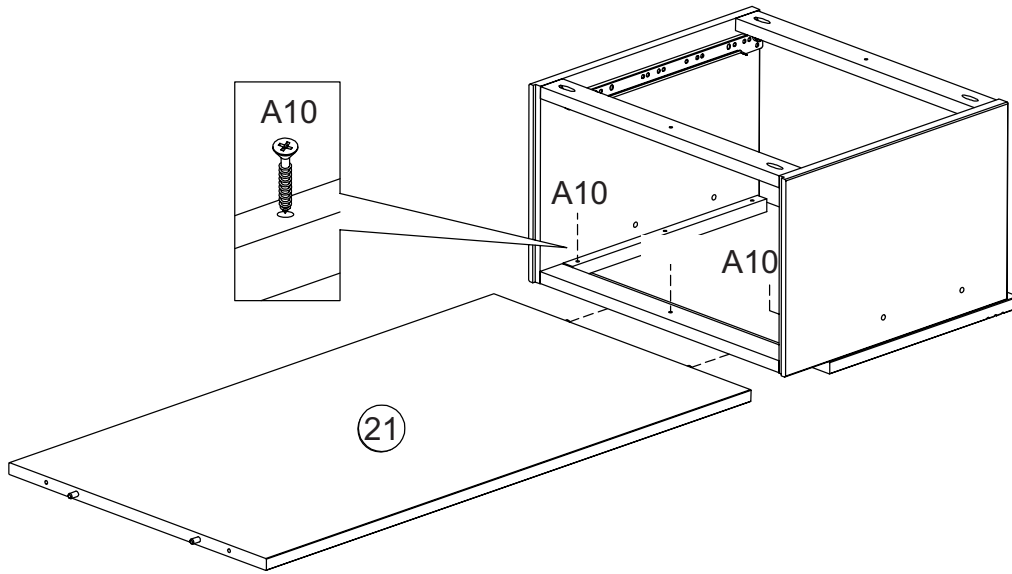


**3x**



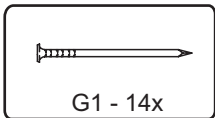
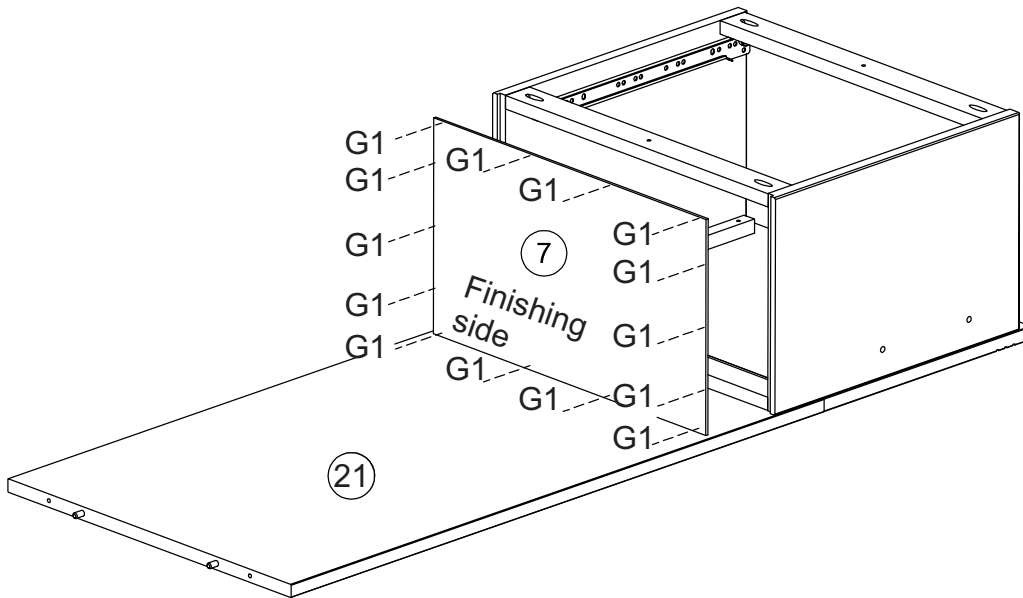
A10 - 12x

# 06



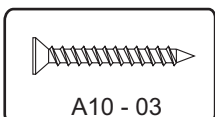
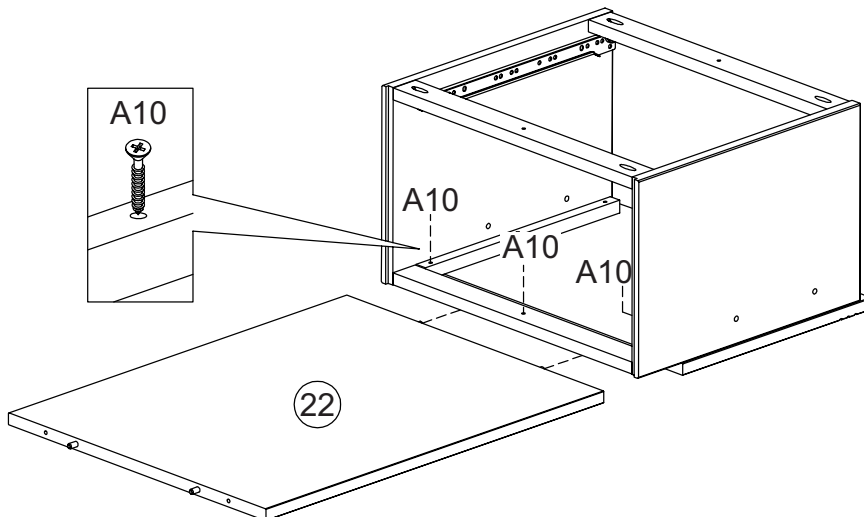
A10 - 03

# 07



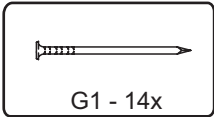
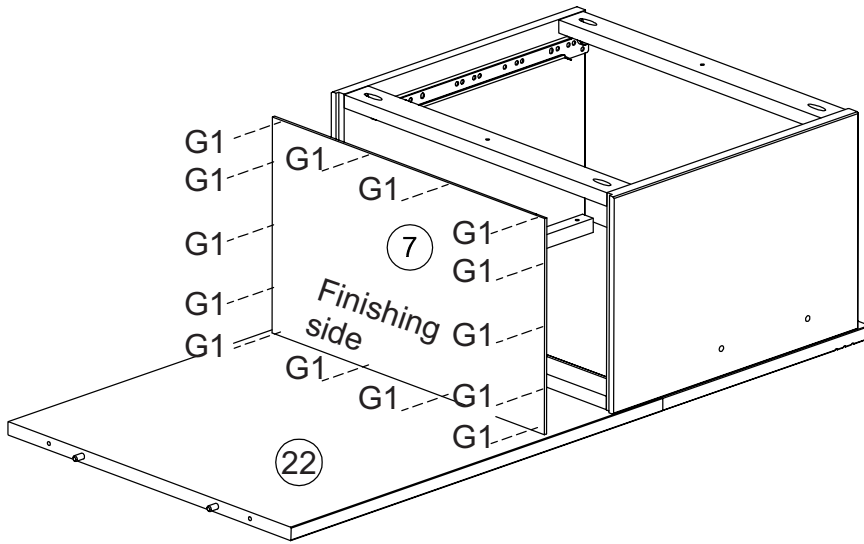
G1 - 14x

# 08



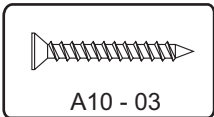
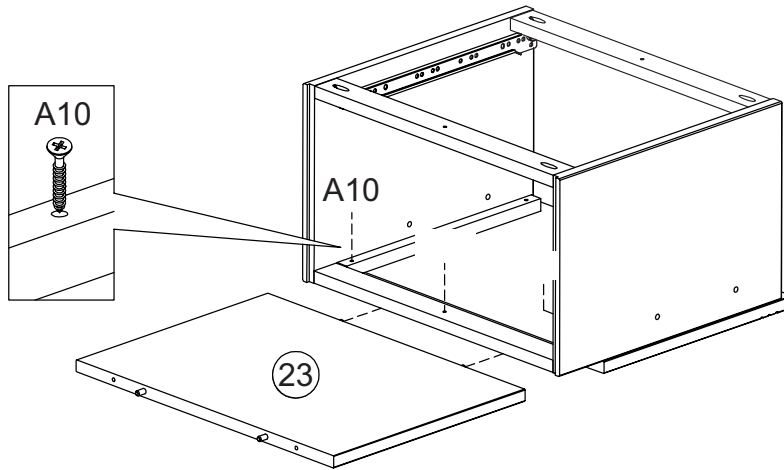
A10 - 03

# 09



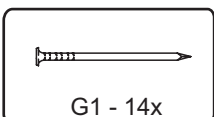
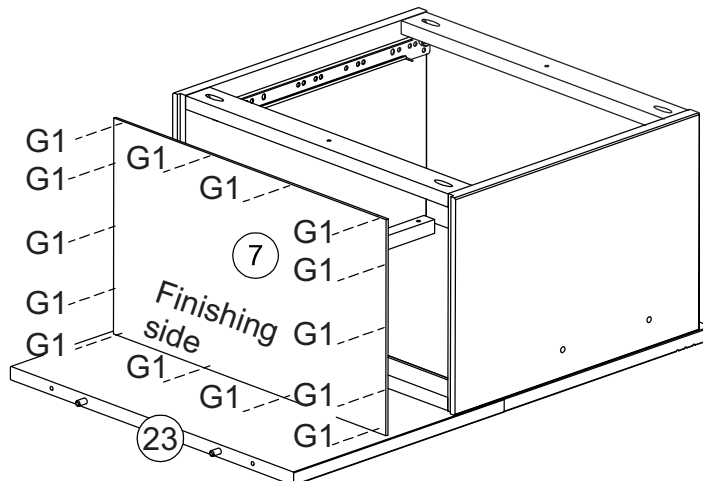
G1 - 14x

# 10



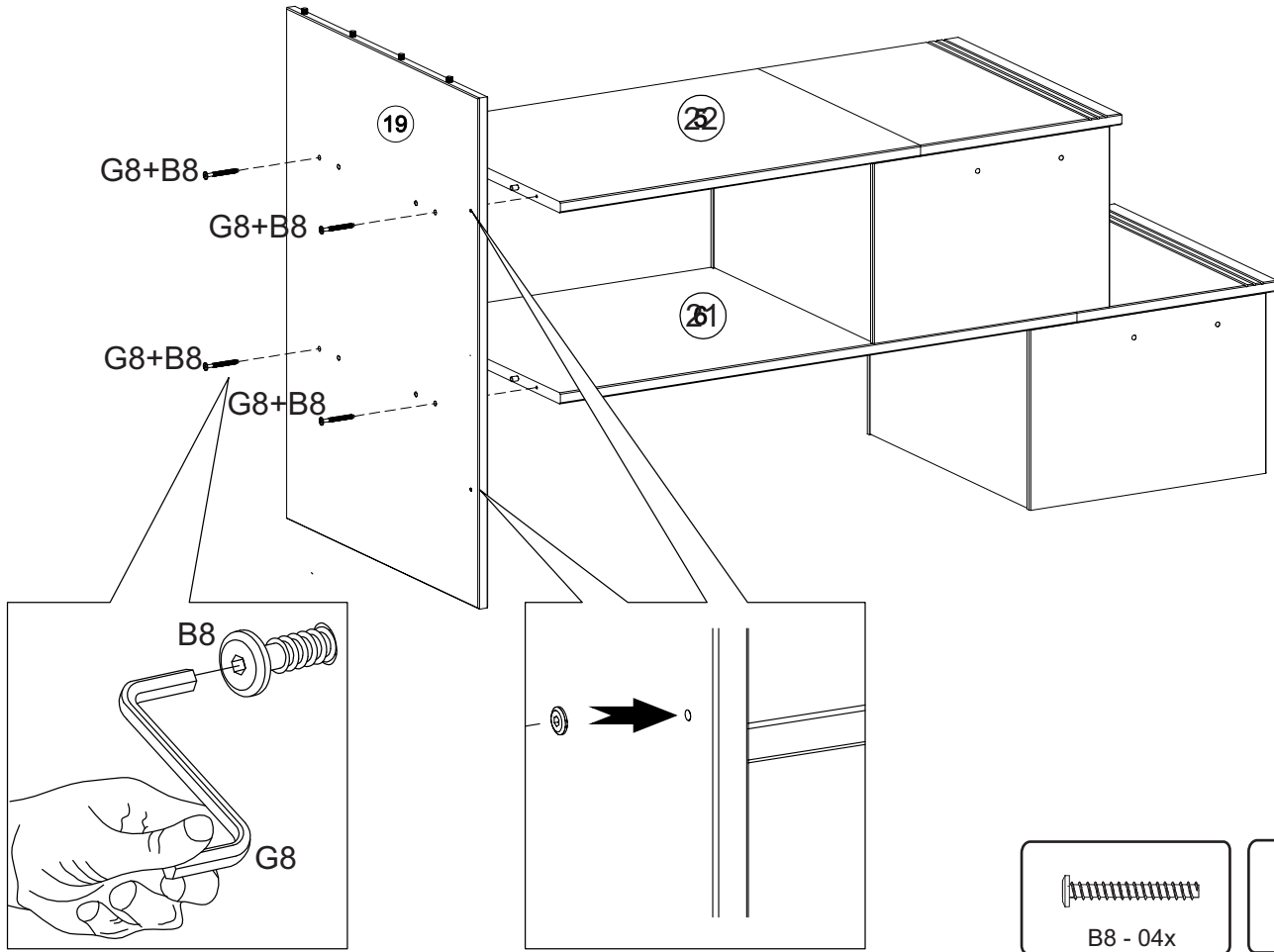
A10 - 03

# 11

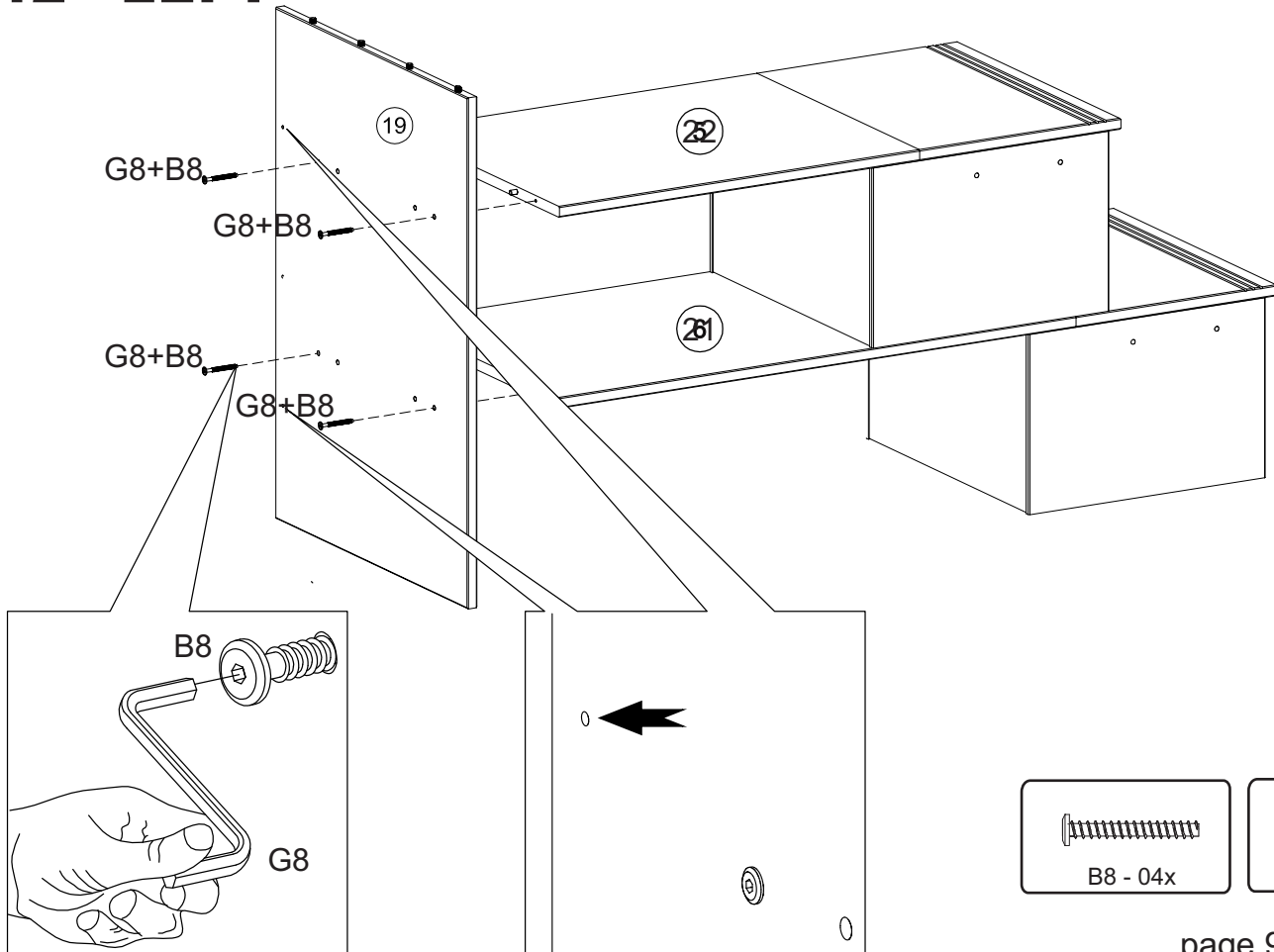


G1 - 14x

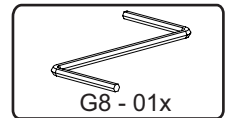
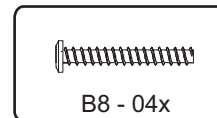
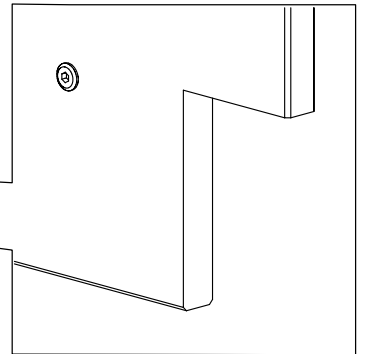
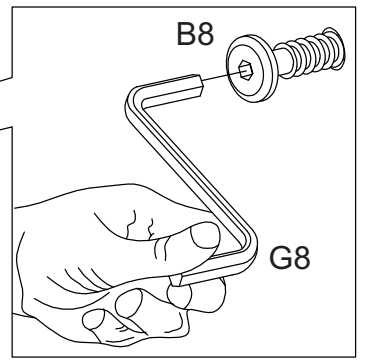
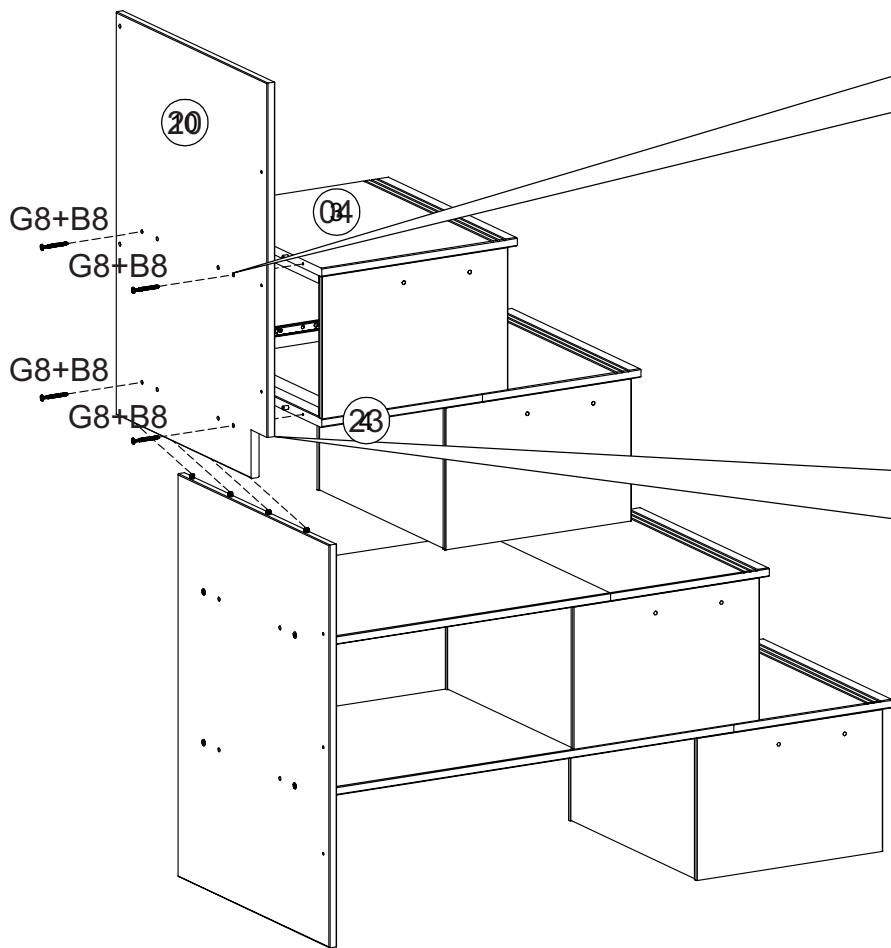
# 12 - RIGHT



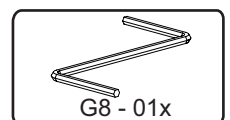
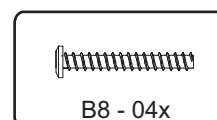
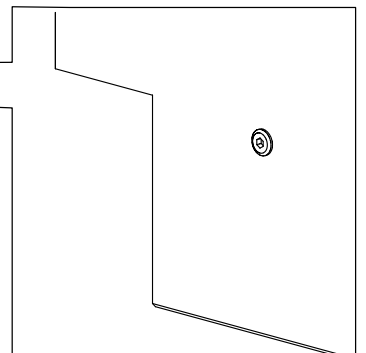
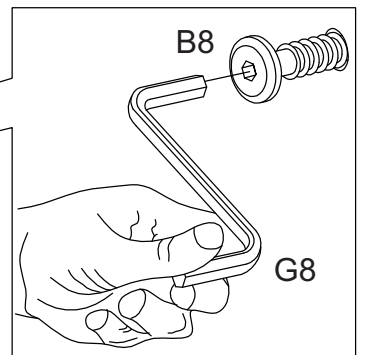
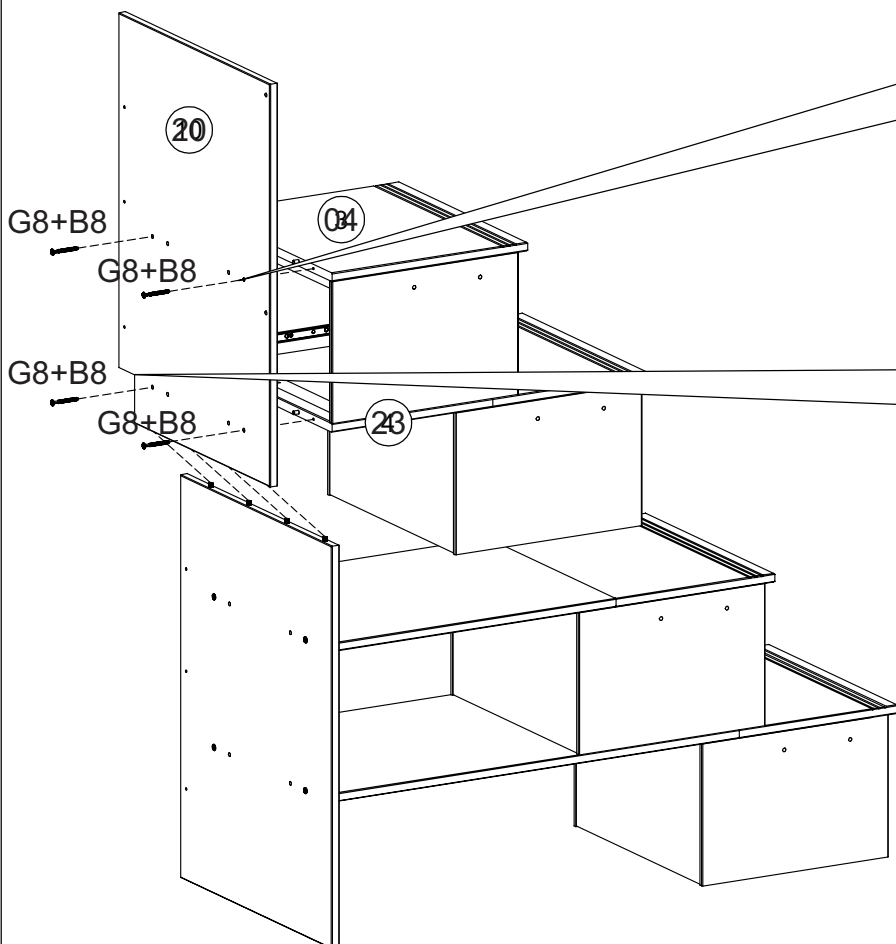
# 12 - LEFT



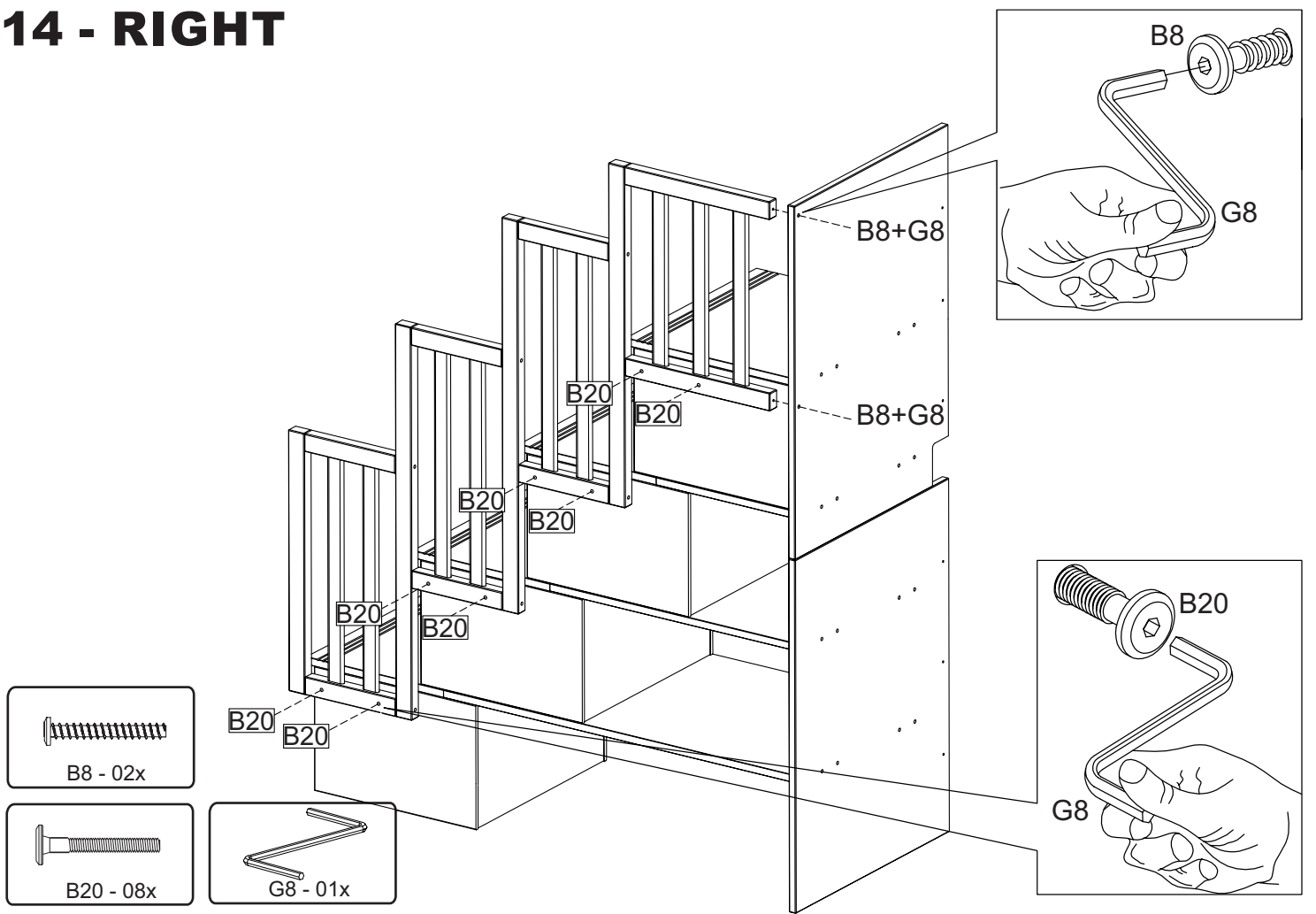
# 13 - RIGHT



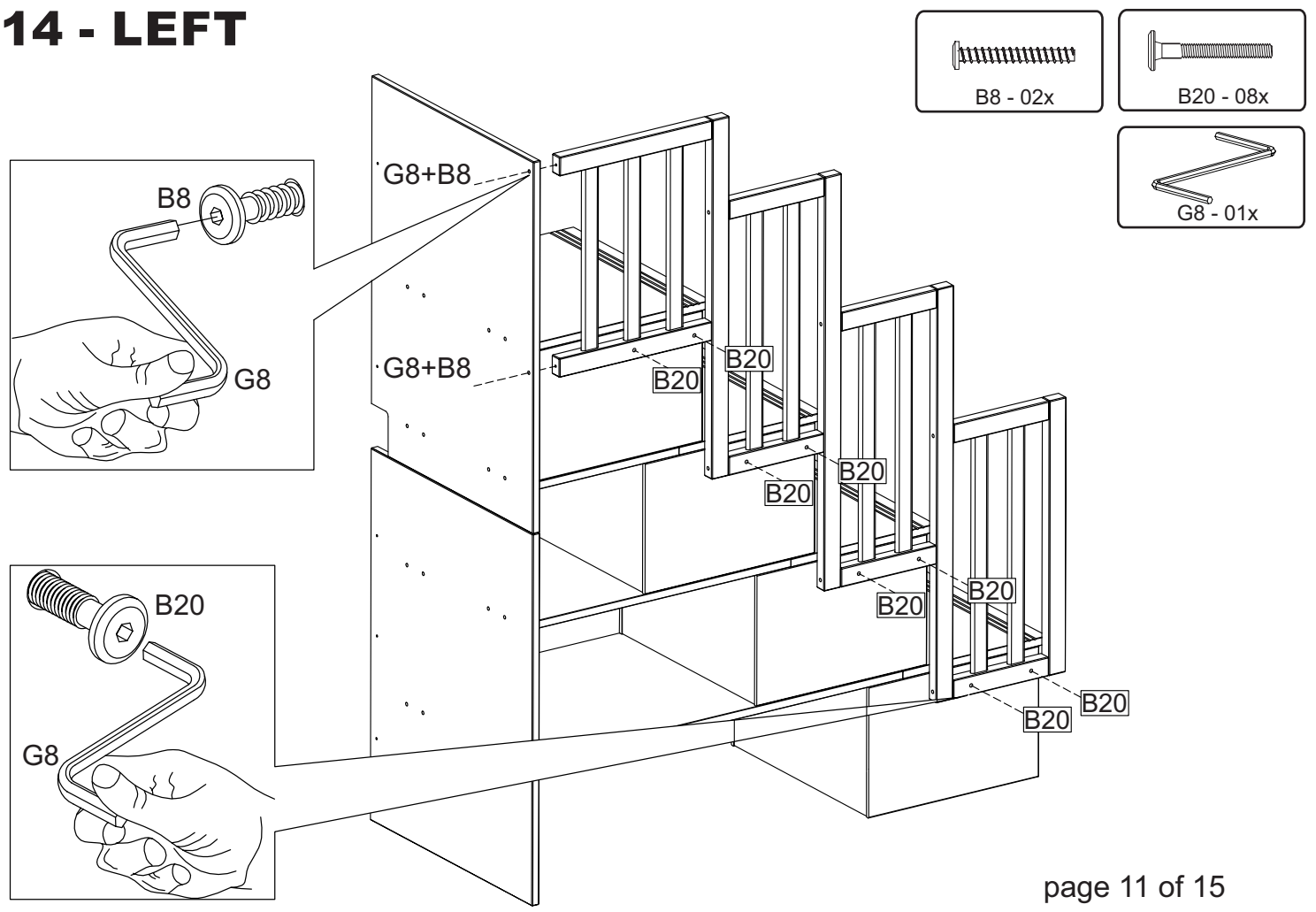
# 13 - LEFT



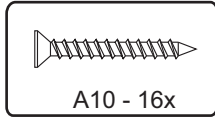
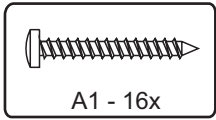
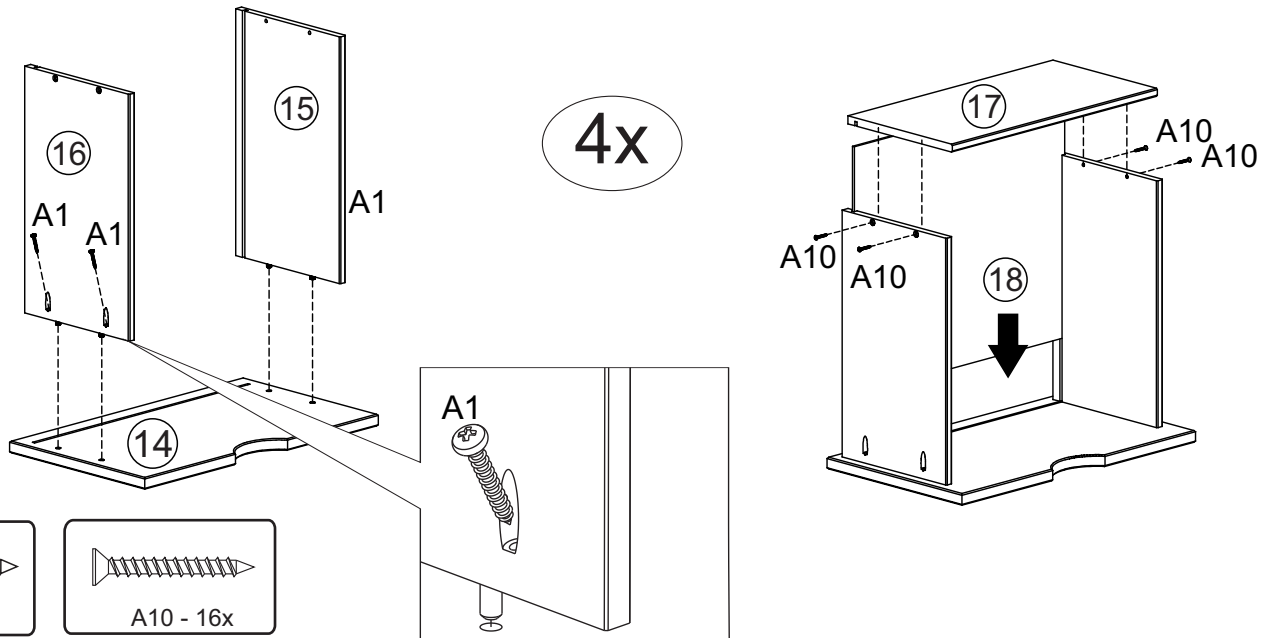
# 14 - RIGHT



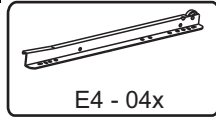
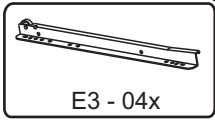
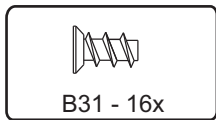
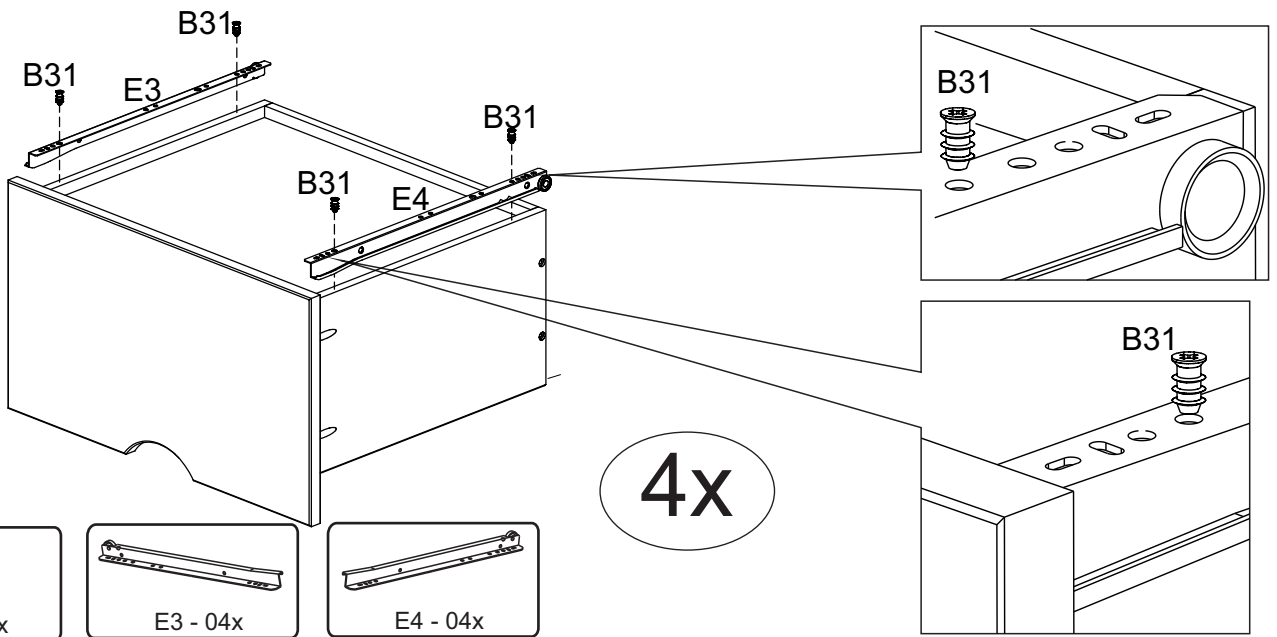
# 14 - LEFT



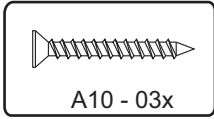
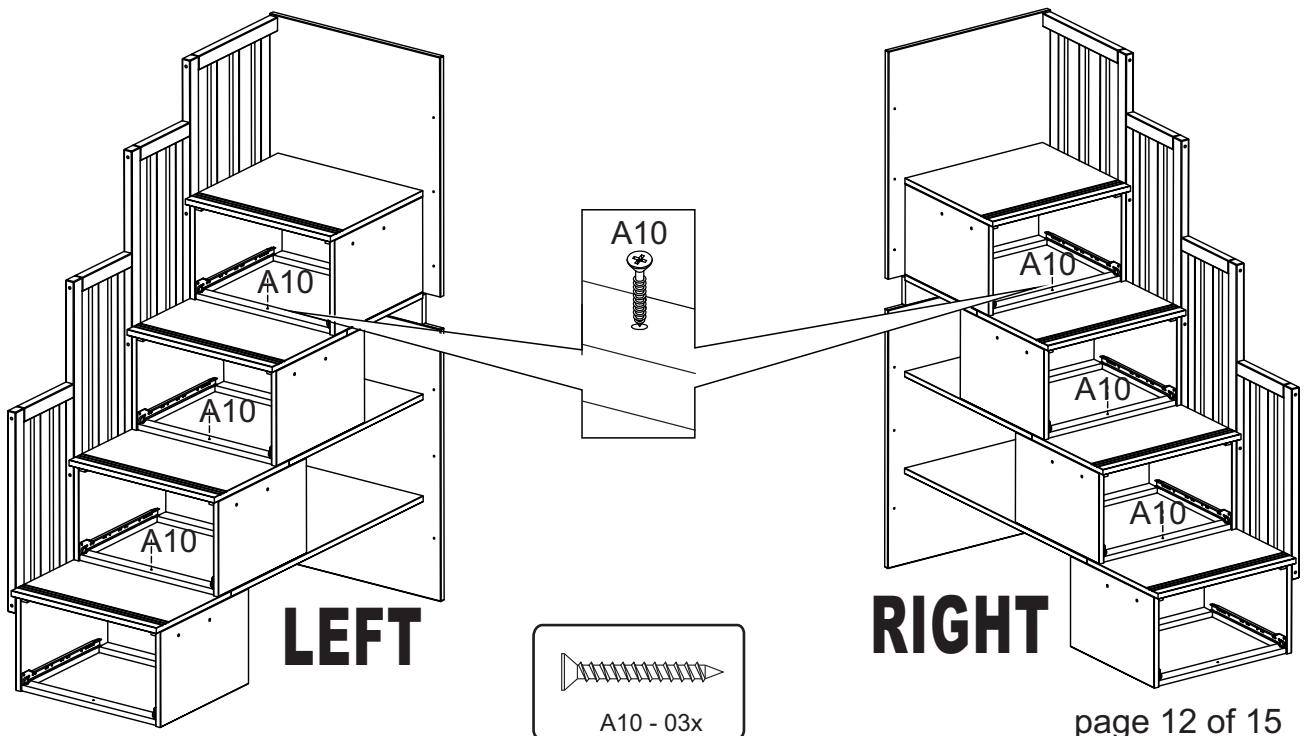
15



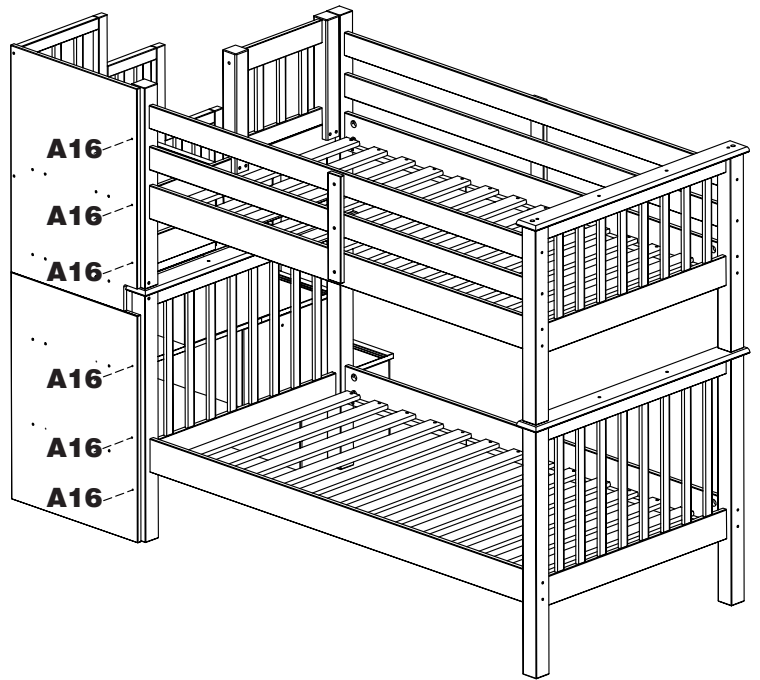
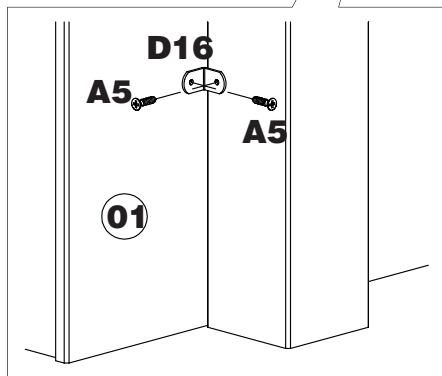
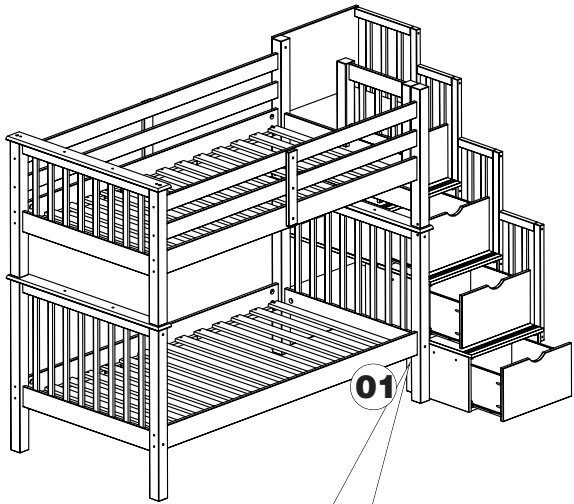
16



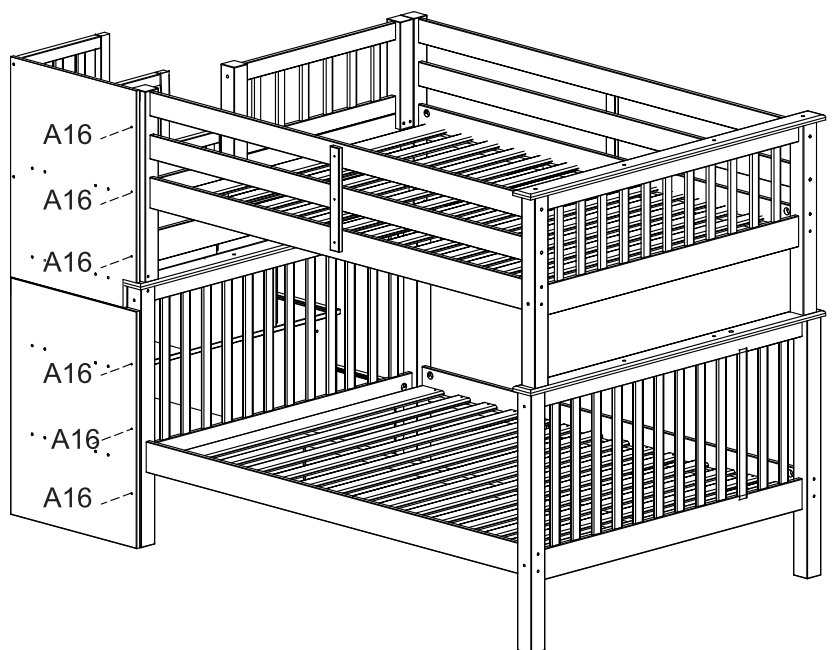
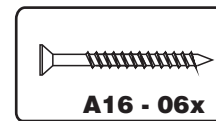
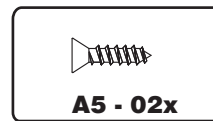
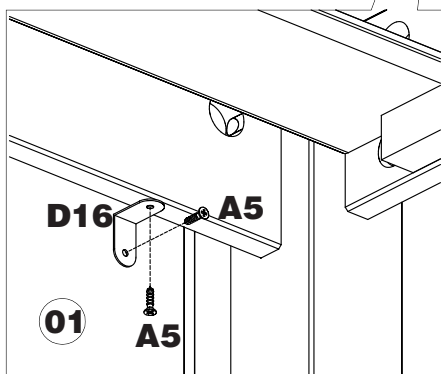
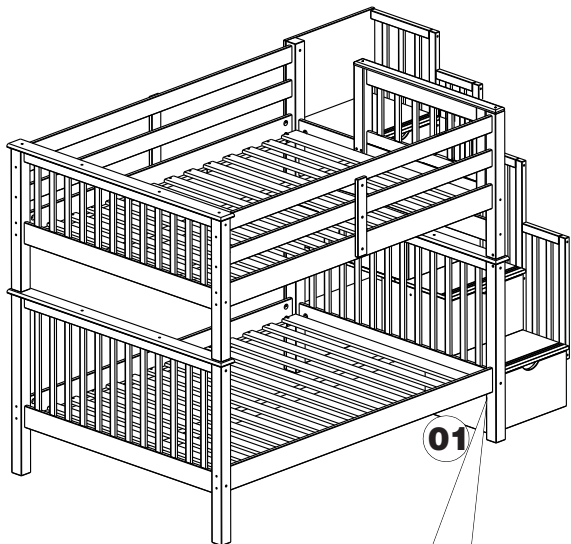
17



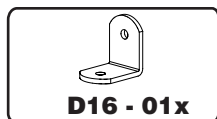
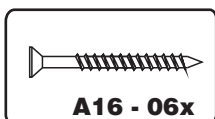
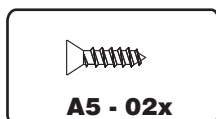
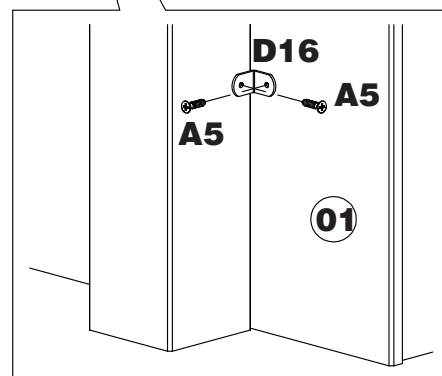
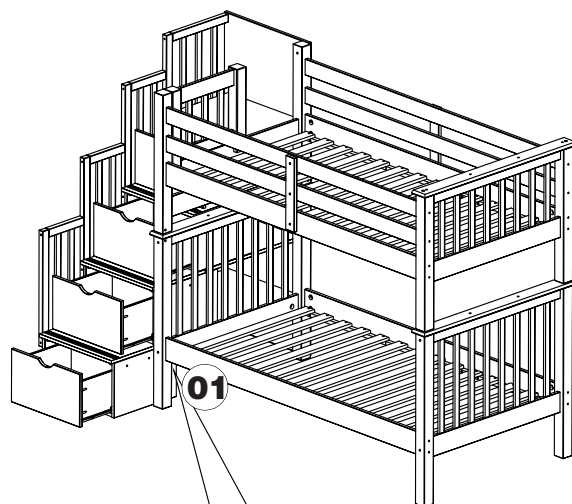
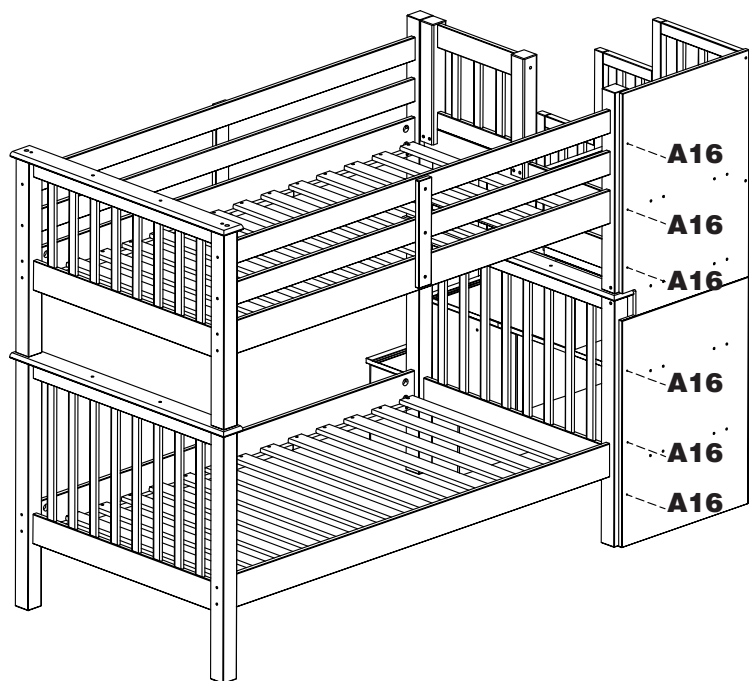
# 18 - RIGHT - TWIN



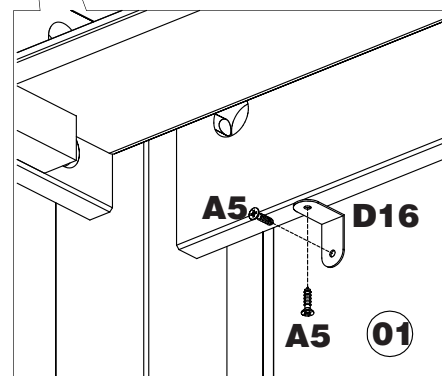
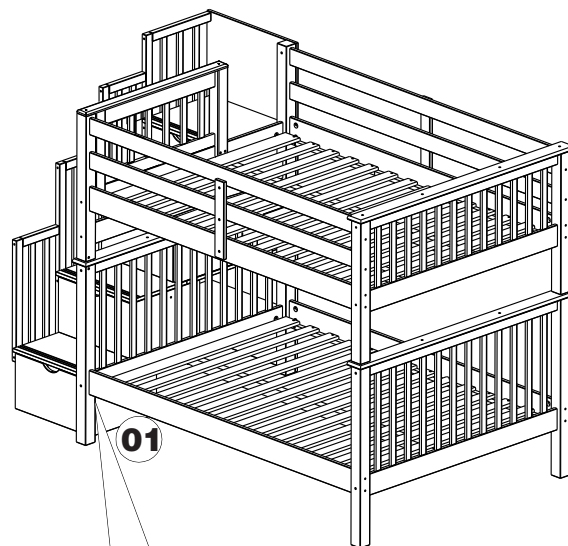
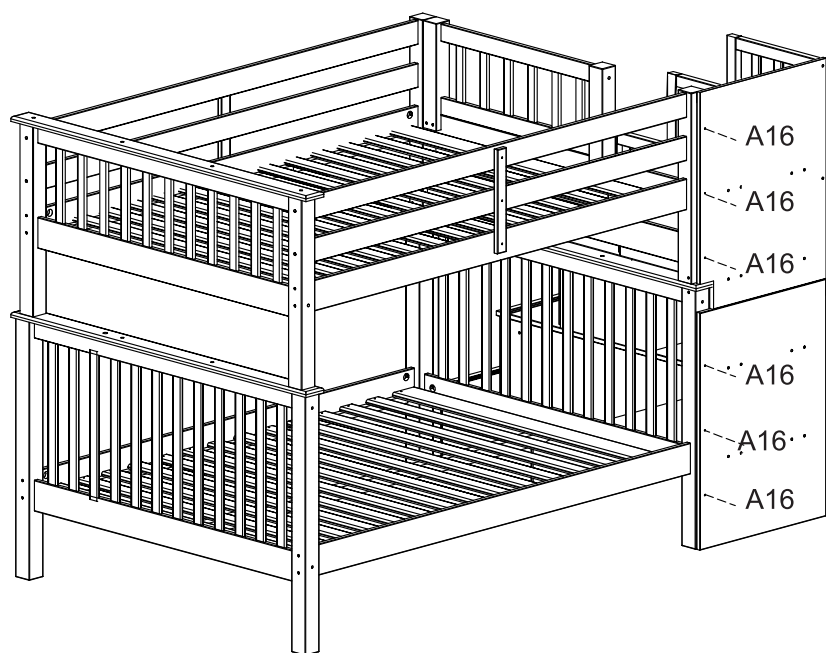
# 18 - RIGHT - FULL



# 19 - LEFT - TWIN



# 19 - LEFT - FULL



## **BEDDING SPECIFICATION**

- Always use the recommended size mattress or mattress support or both, to help prevent the likelihood of entrapment or falls.
- All bunk beds are supplied with a complete slat kit, so there is no need for a foundation or bunkie board.

## **BED MATTRESS SPECIFICATIONS**

### **TWIN OVER TWIN**

Upper Bunk: Only use a mattress that is 74" - 75" long and 37 1/2" - 38 1/2" wide on the upper bunk.

- Ensure thickness of mattress and foundation combined does not exceed 9".

Lower Bunk: Only use a mattress that is 74" - 75" long and 37 1/2" - 38 1/2" wide on the lower bunk.

### **TWIN OVER FULL**

Upper Bunk: Only use a mattress that is 74" - 75" long and 37 1/2" - 38 1/2" wide on the upper bunk.

- Ensure thickness of mattress and foundation combined does not exceed 9".

Lower Bunk: Only use a mattress that is 74" - 75" long and 52 1/2" - 53 1/2" wide on the lower bunk.

### **FULL OVER FULL**

Upper Bunk: Only use a mattress that is 74" - 75" long and 52 1/2" - 53 1/2" wide on the upper bunk.

- Ensure thickness of mattress and foundation combined does not exceed 9".

Lower Bunk: Only use a mattress that is 74" - 75" long and 52 1/2" - 53 1/2" wide on the lower bunk.

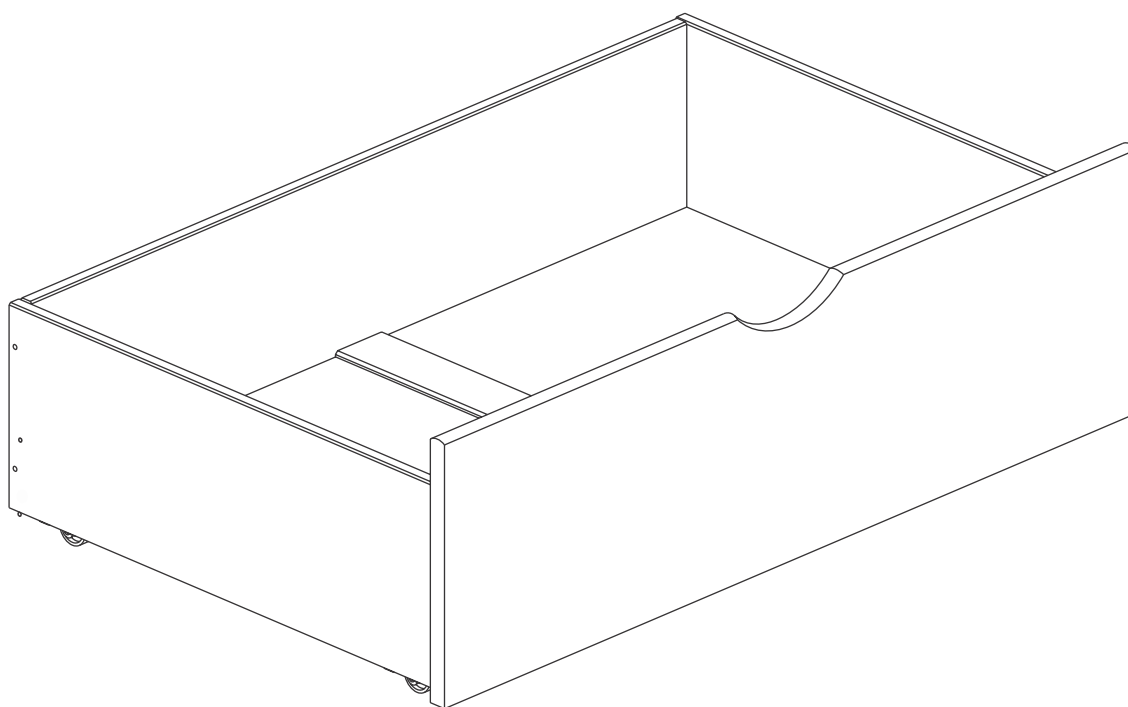
## **REPLACEMENT PARTS**

- Replacement parts, including additional guardrails may be obtained by contacting
- Guard rails are not available for the lower bunk. This bunk bed is not designed or certified to have guard rails installed on the lower bunk.

## **ASSEMBLY TIPS**

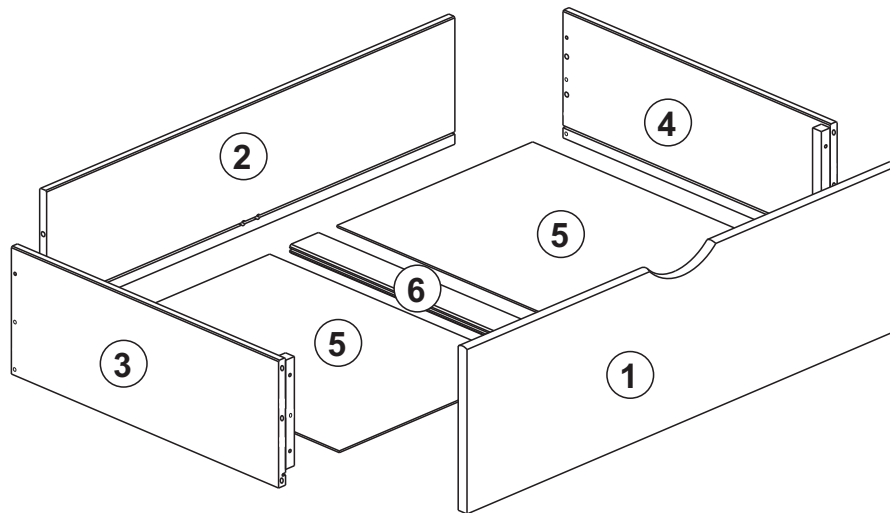
- Power tools are not recommended for assembling your furniture.
- Give yourself plenty of room to work.
- Due to the size of this bunkbed, it must be assembled within the space it will occupy.
- The assembly will require at least two people to complete.
- Make sure all the fasteners are tight.
- Take your time and read the instructions carefully.

# Under Bed Drawers



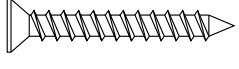
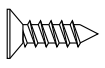

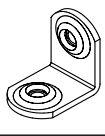
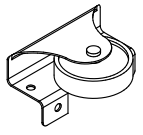
**WARNING - CHOKING HAZARD**

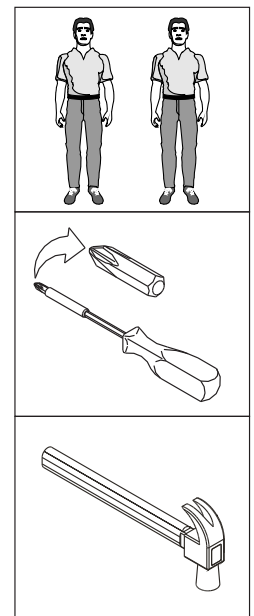
**To be Assembled by Adults only!  
Small parts can be a choking hazard for  
children**



2x

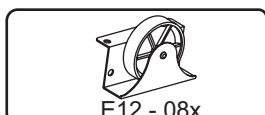
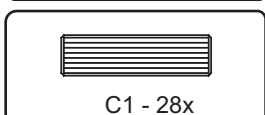
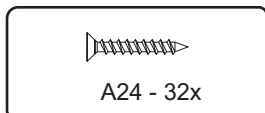
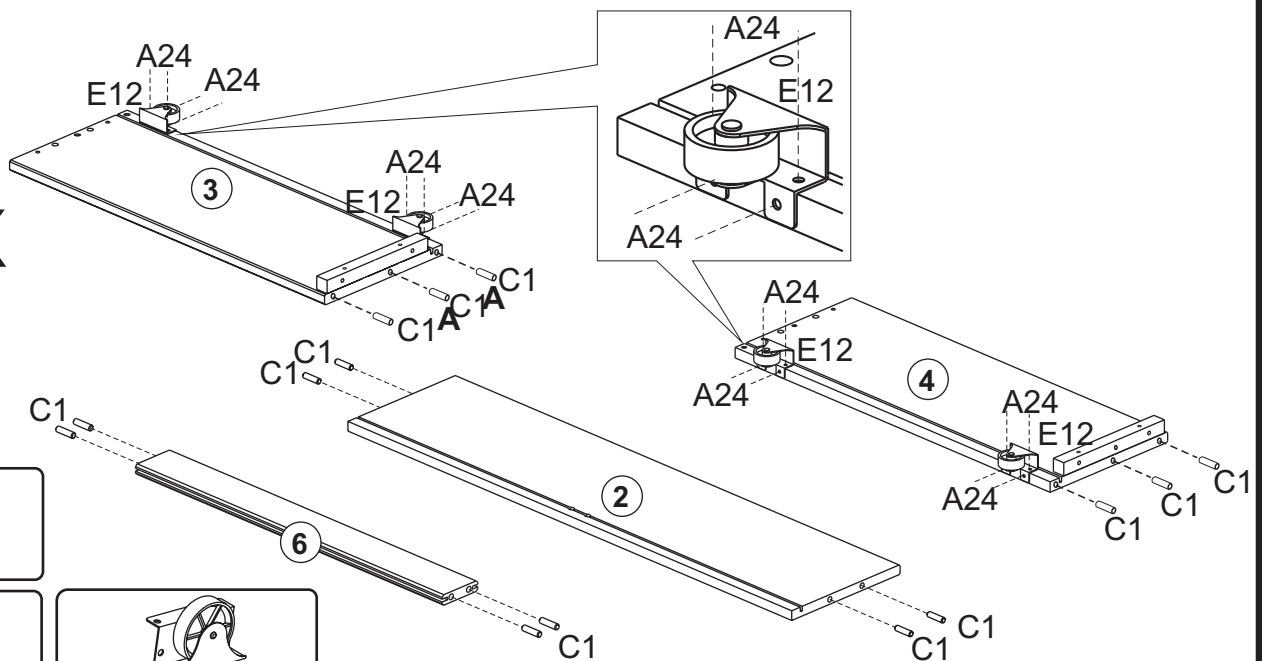
SCREWS ARE SHOWN IN ACTUAL SIZE

			Qty.	Extra
A19		4,0x30	26	
A24		3,5x12	36	
C1		8x30	28	+1
D20			2	
E12			8	

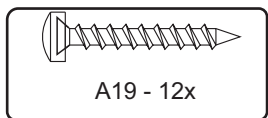
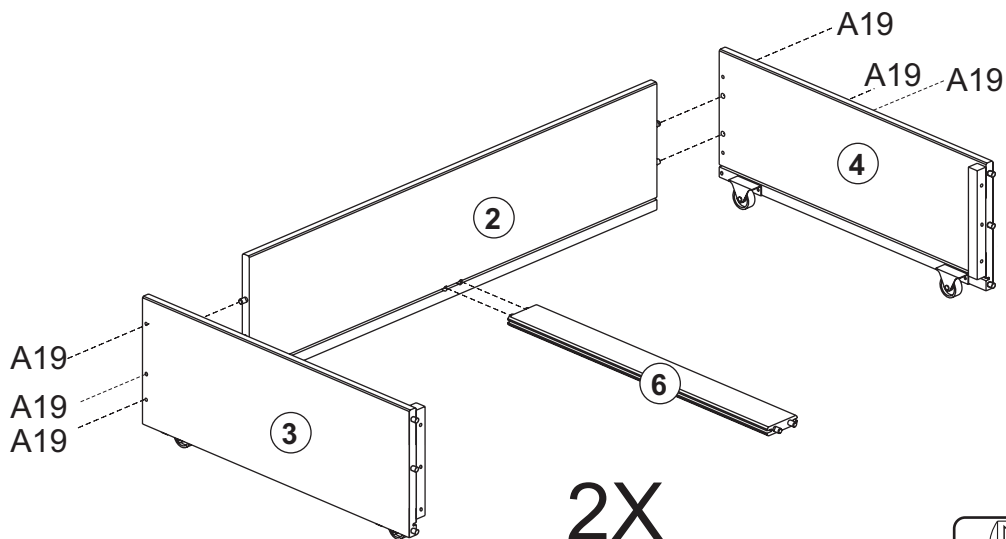


01

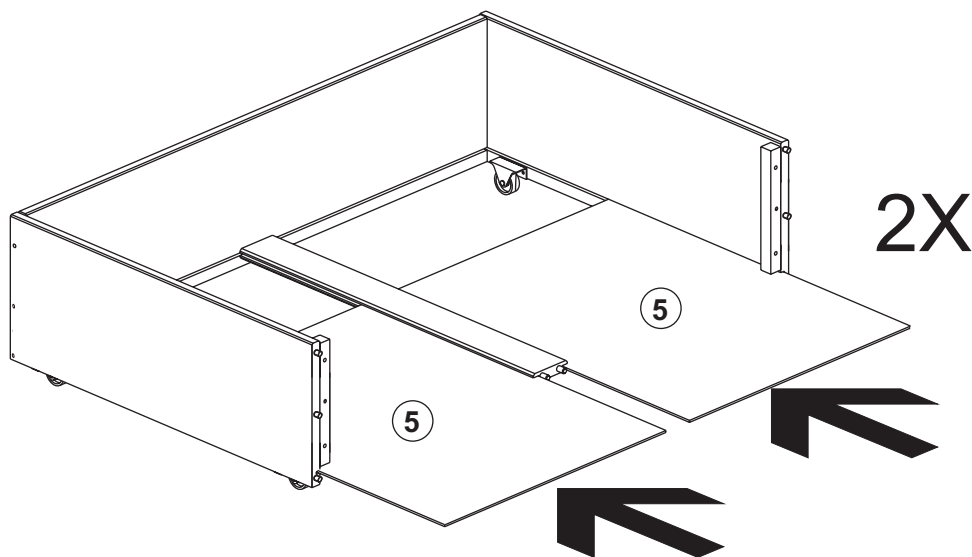
2X



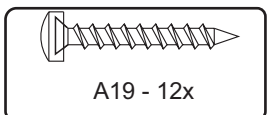
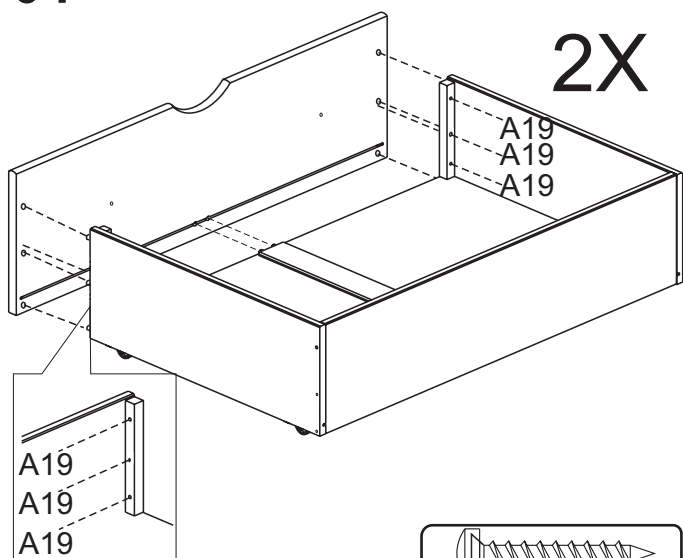
02



03



04



05

