

# ASSEMBLY INSTRUCTIONS



*Fine Furniture for every stage of life*

***COFFEE TABLE***

# ASSEMBLY INSTRUCTIONS

## ASSEMBLY TIPS:

1. Remove hardware from box and sort by size.
2. Please check to see that all hardware and parts are present prior to start of assembly.
3. Please follow attached instructions in the same sequence as numbered to assure fast & easy assembly.



### WARNING!

1. Don't attempt to repair or modify parts that are broken or defective. Please contact the store immediately.
2. This product is for home use only and not intended for commercial establishments.

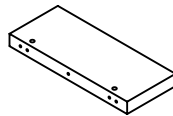


ASSEMBLY TIME

30 MINUTES

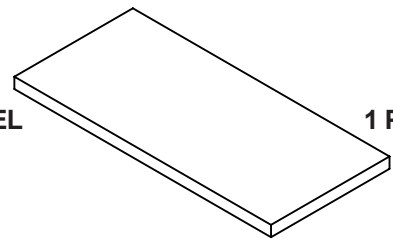
## PARTS IDENTIFICATION

A SIDE PANEL



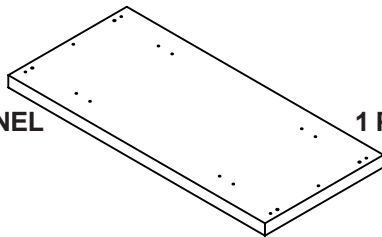
2 PCS

C TOP PANEL



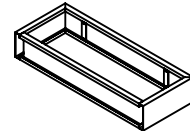
1 PC

B BOTTOM PANEL



1 PC



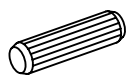

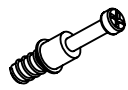


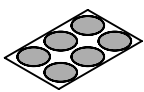

D METAL FRAME



2 PCS

Z

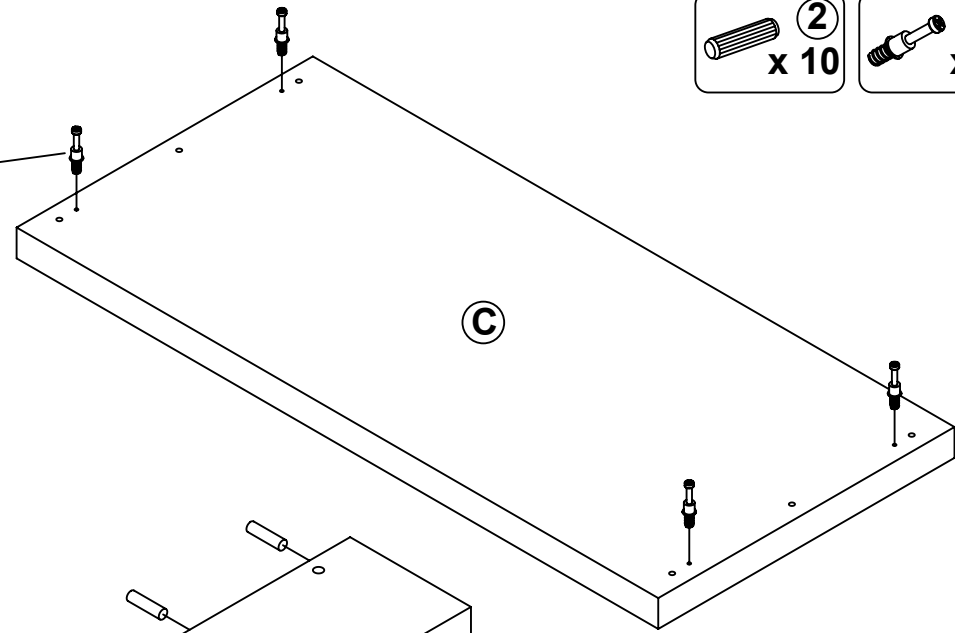
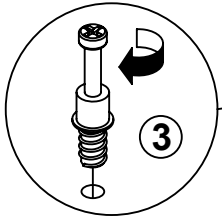
## HARDWARE IDENTIFICATION

NO	DESCRIPTION	FIGURE	Q'TY	NO	DESCRIPTION	FIGURE	Q'TY
1	GLUE 15g		1 PC	6	BOLT M6x63mm BLK		8 PCS
2	WOODEN DOWEL Ø 8x30mm		10 PCS	7	FILLING PIECE Ø 15mm x 4 HOLE		2 PCS
3	CAM BOLT Ø 7x35.5mm SR		4 PCS	8	ALLEN WRENCH 4mm SR		1 PC
4	CAM LOCK Ø15x12mm SR		4 PCS	9	STICKER Ø 20mm		1 PC
5	BOLT Ø 9.5x55mm SR		6 PCS				

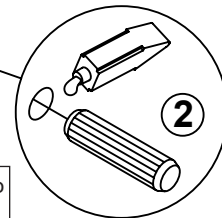
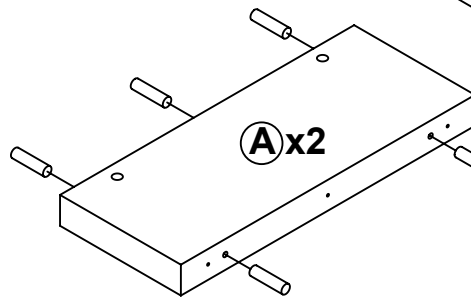
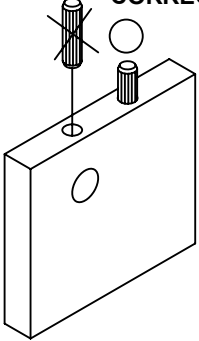
### NOTE:

Phillips head screw driver is required in the assembly process; however, manufacturer does not provide this item.

# STEP 1

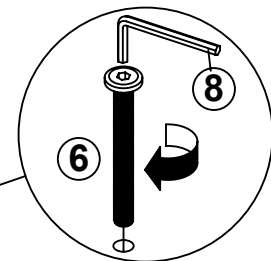
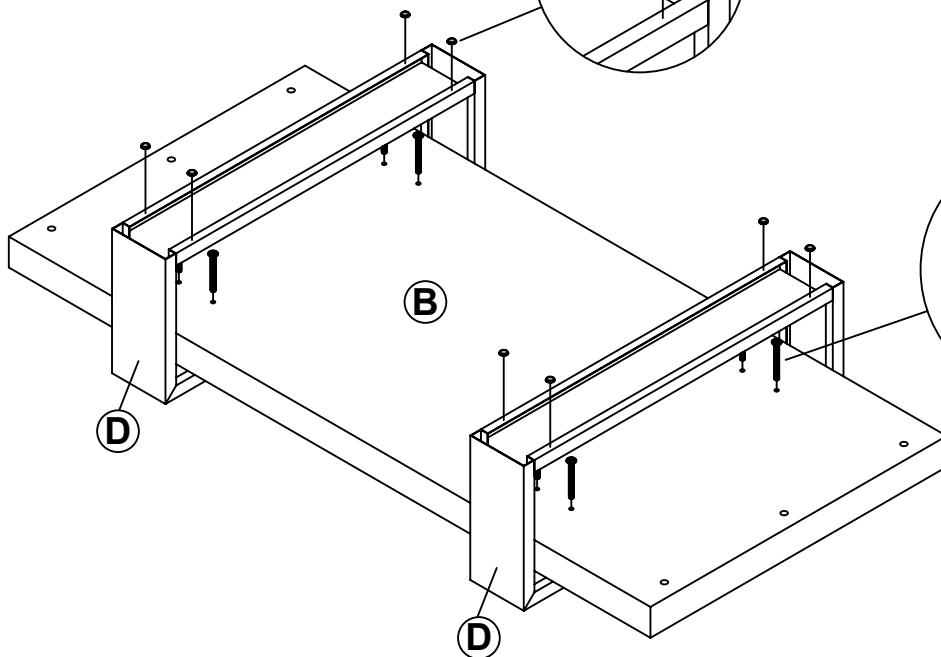
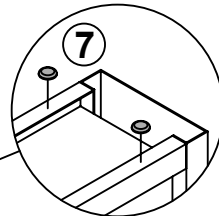


INCORRECT  
CORRECT

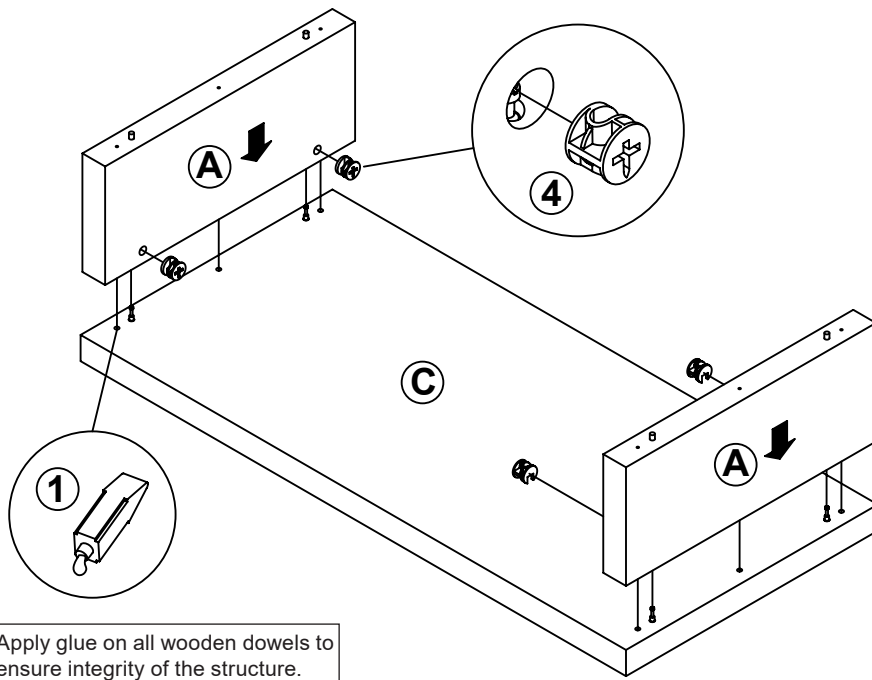


Apply glue on all wooden dowels to ensure integrity of the structure.

# STEP 2

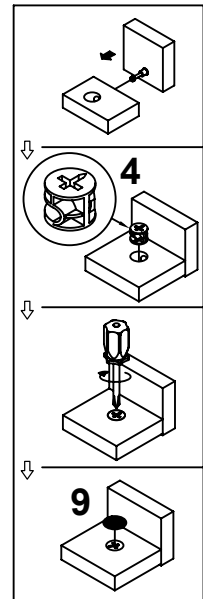


# STEP 3

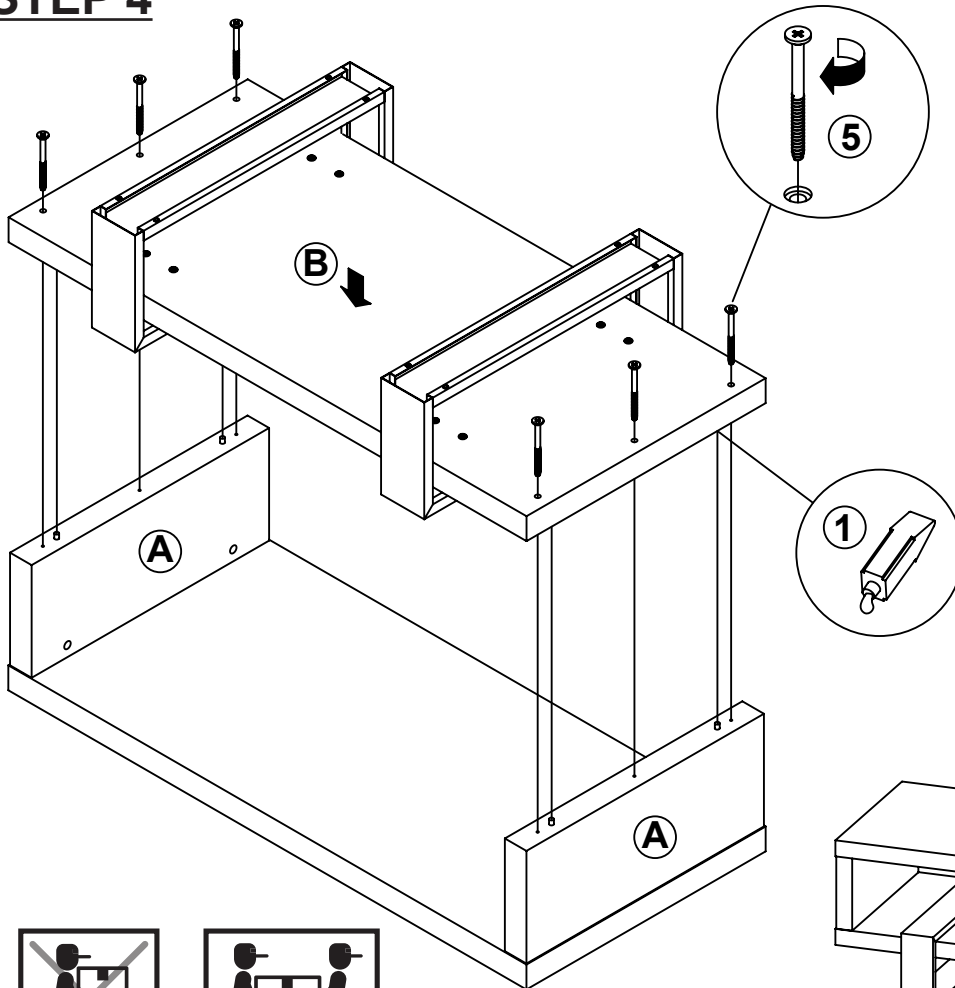


Apply glue on all wooden dowels to ensure integrity of the structure.

- 4 x 4
- 9 x 4

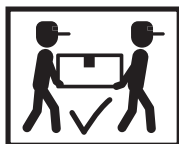
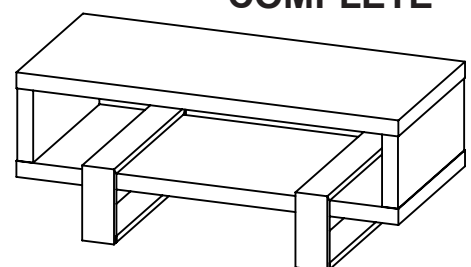


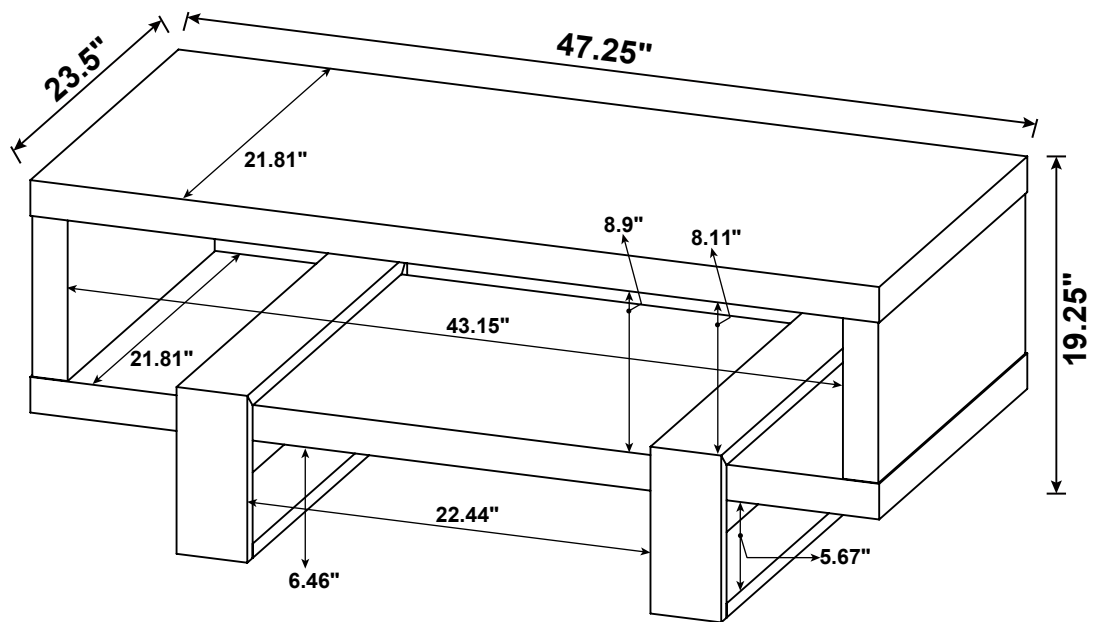
# STEP 4



- 5 x 6

COMPLETE





**Note :** Dimension tolerance  $\pm 5\%$