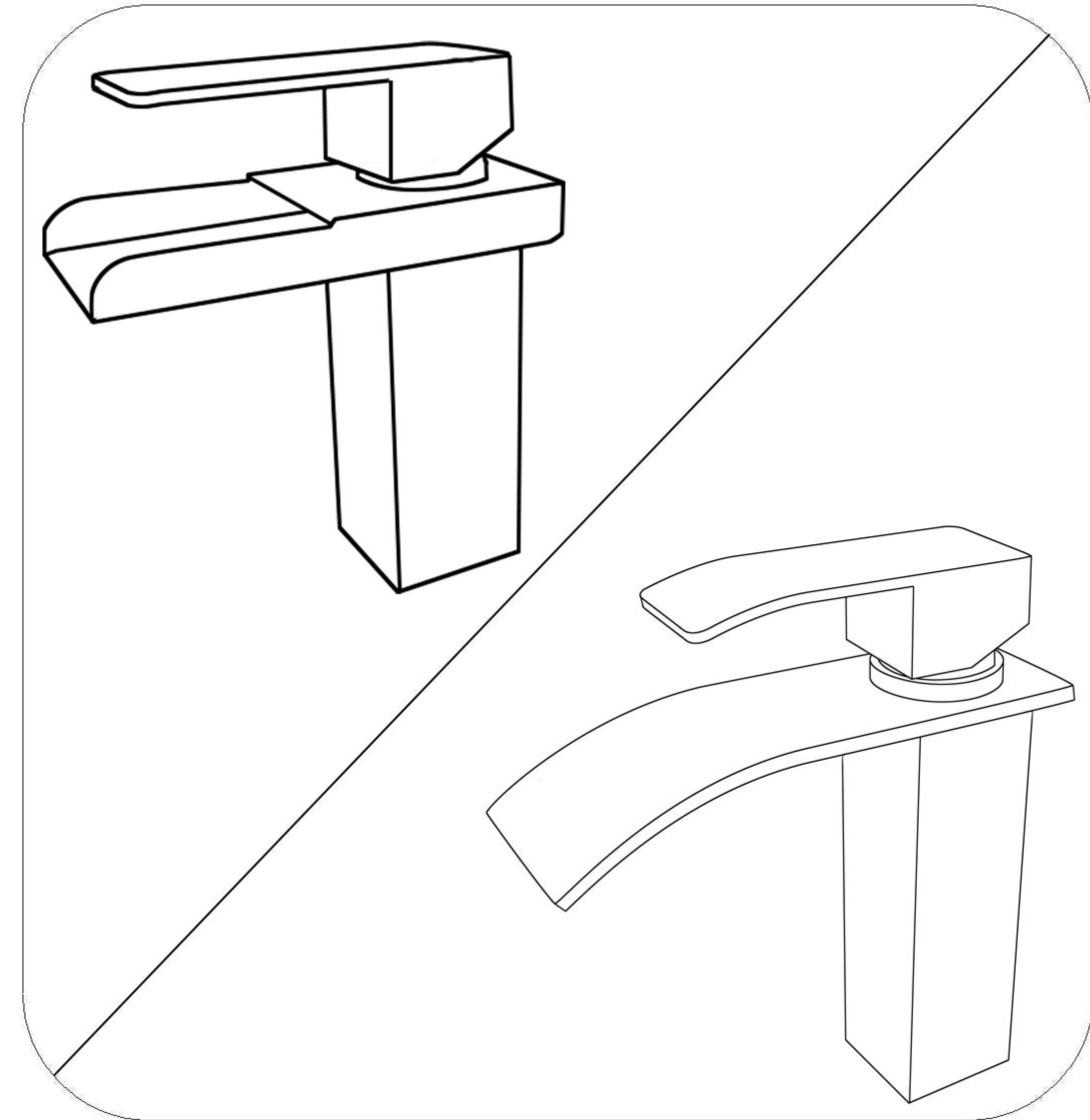
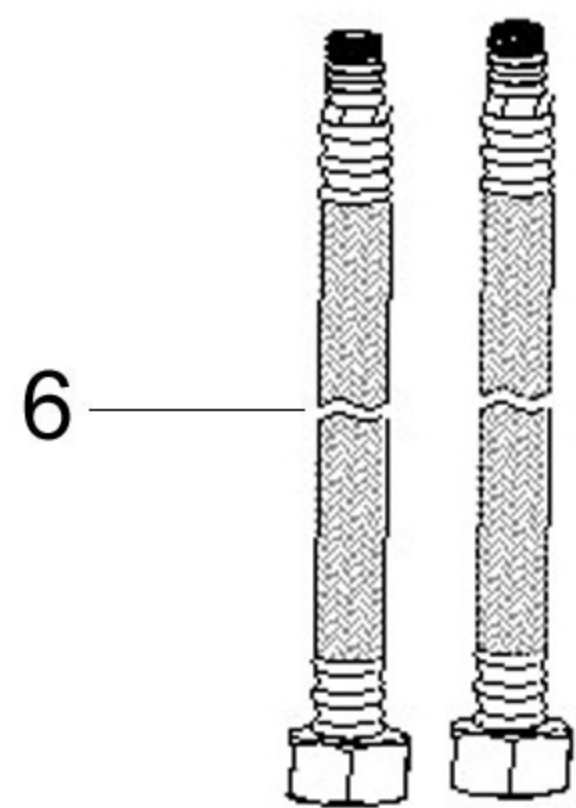
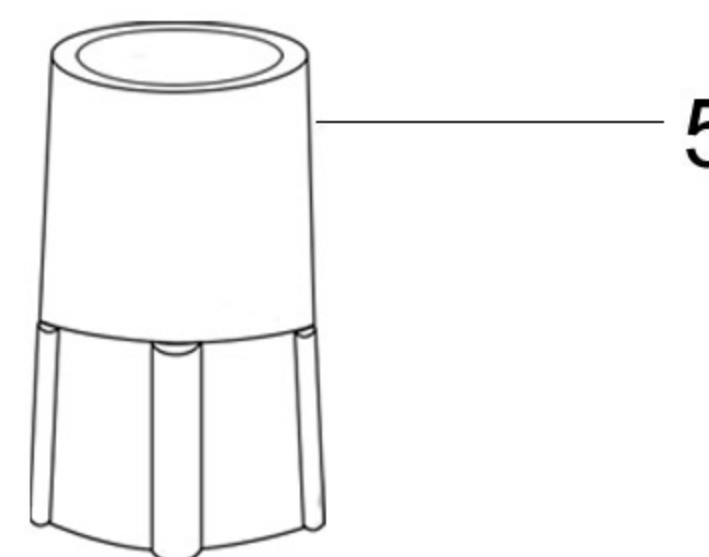
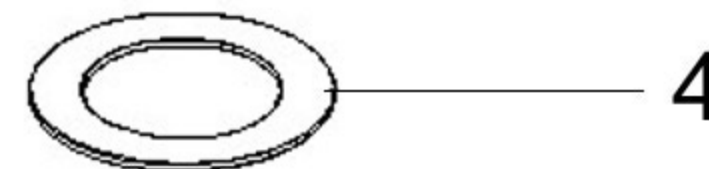
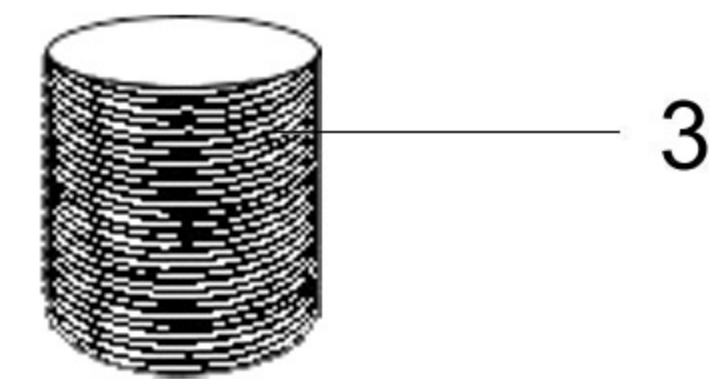
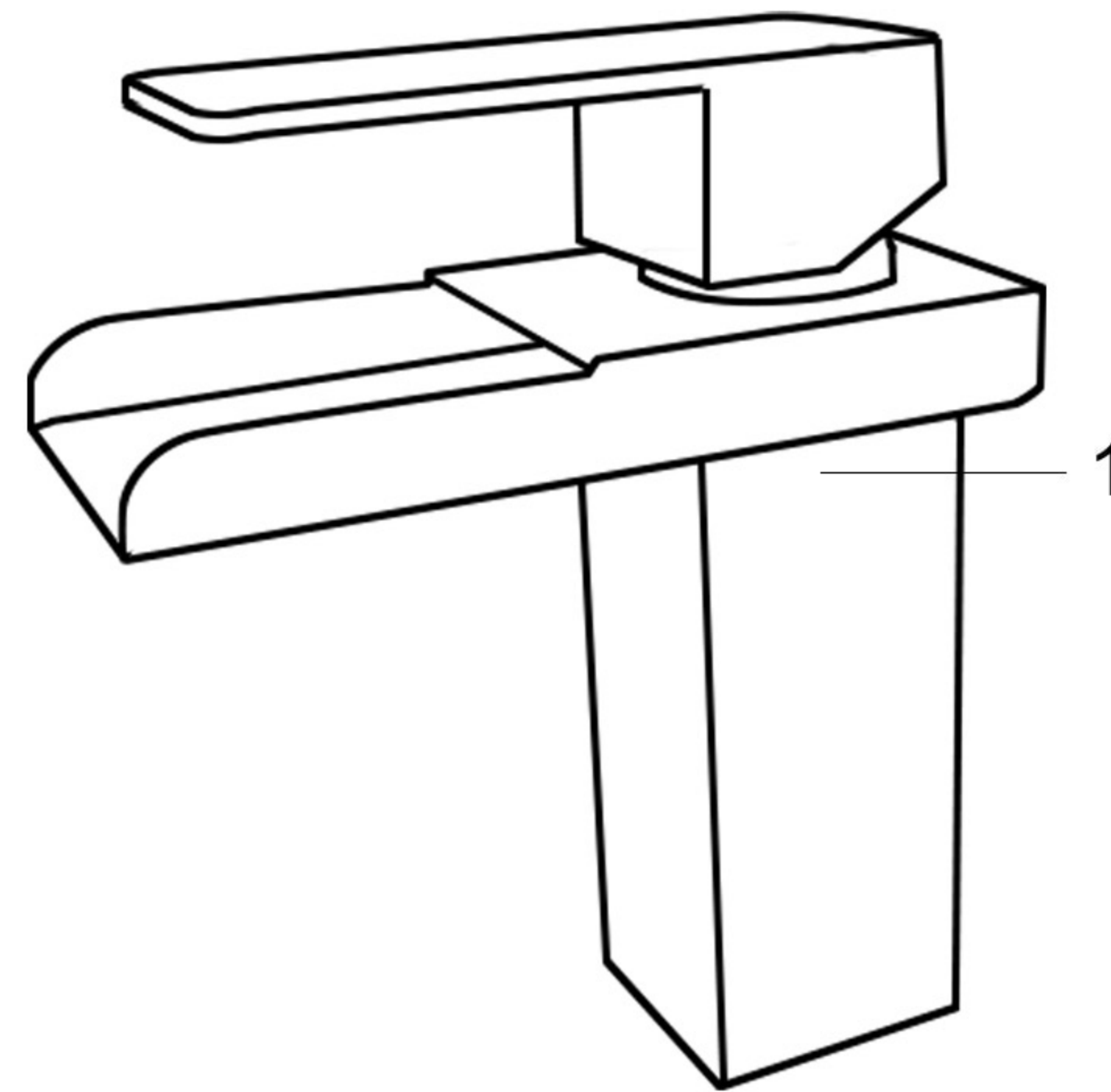


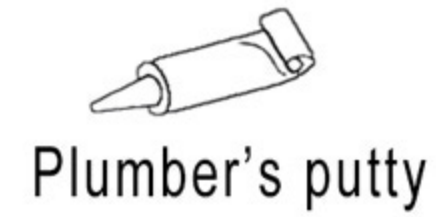
INSTALLATION INSTRUCTION

NO.	PART NAME
1	Body
2	O-ring
3	Lock nut
4	Washer
5	Screw
6	Flexible hose



SINGLE BASIN FAUCET

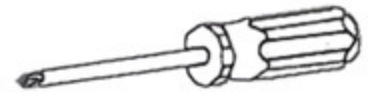
Tools You Will Need:



Plumber's putty



Pipe tape



Philips Screwdriver



pliers



Adjustable wrench

Notice:

1.Cleaning

Before installation, shut off the water supply valves and clean up the water supply system.

2.Mounting hole

Make sure the mounting hole size is between $\varnothing 33\text{mm}$ - $\varnothing 35\text{mm}$ as show in the diagram.

3.Protection

Clean the area of the mounting holes before installation.

To preserve the delicate finish of the faucet,please do not scratch, but use a soft cloth to wipe around it.

Do not tighten the faucet too hard,so as to avoid deformation of fracture.

Parameter:

1.Water pressure

Min:0.05Mpa Max:0.75Mpa

2.Temperature of water supply $\leq 85^{\circ}\text{C}$

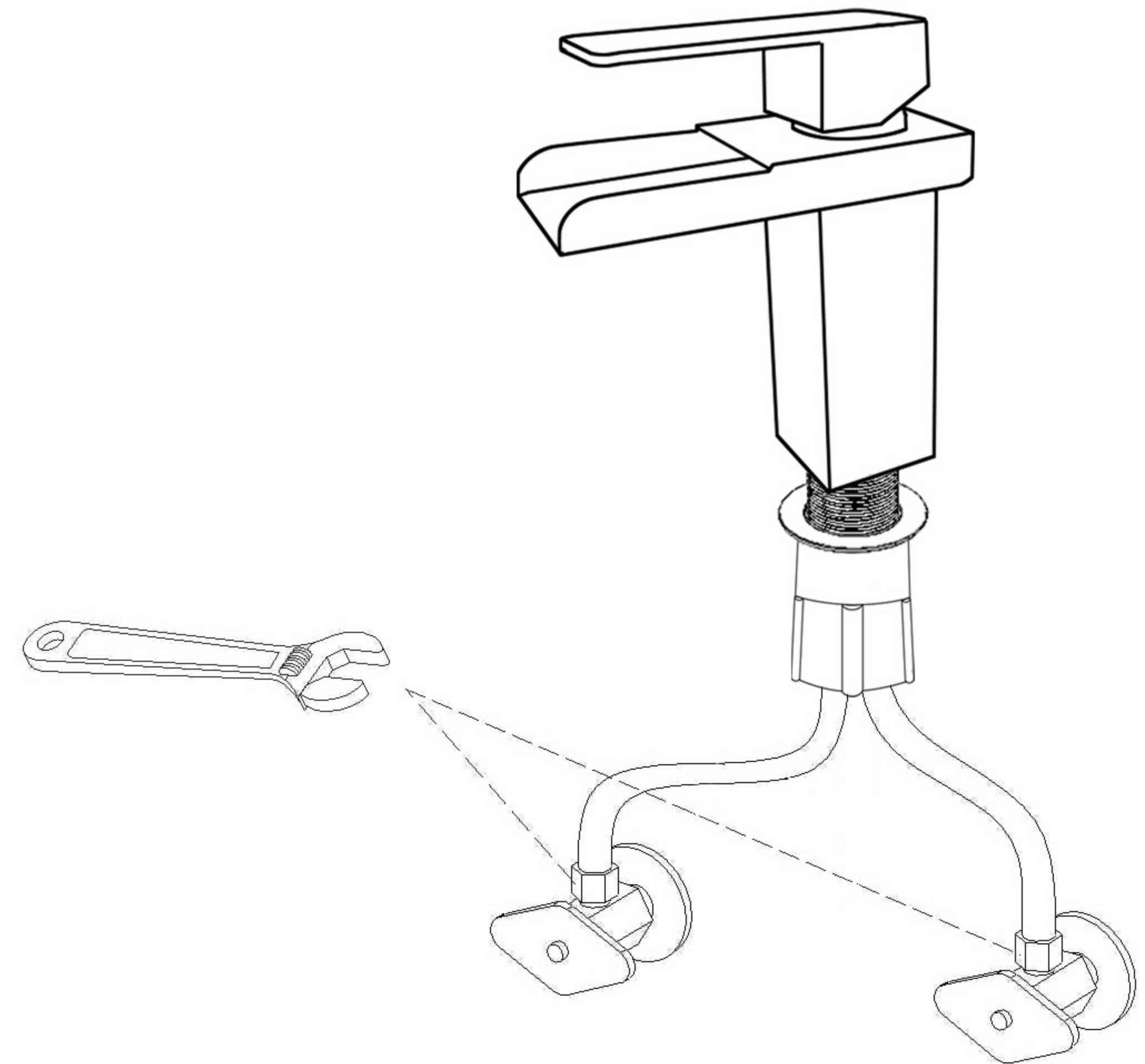
3.Working Temperature $\geq 0^{\circ}\text{C}$



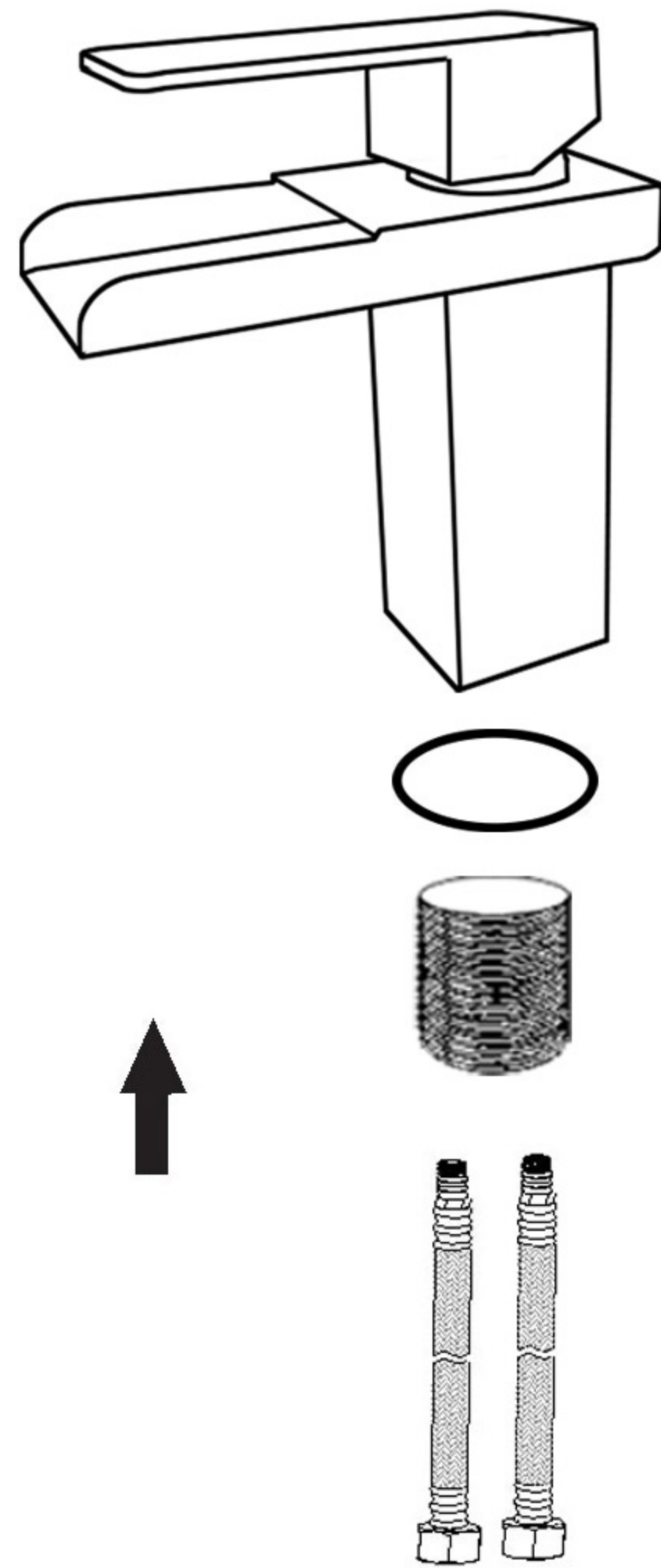
Attention:

for easy installation, you will need:

- 1.To read all the installation instruction completely before beginning.
- 2.To read all the warning, attention and maitenance information.
- 3.To purchase the proper supply lines.

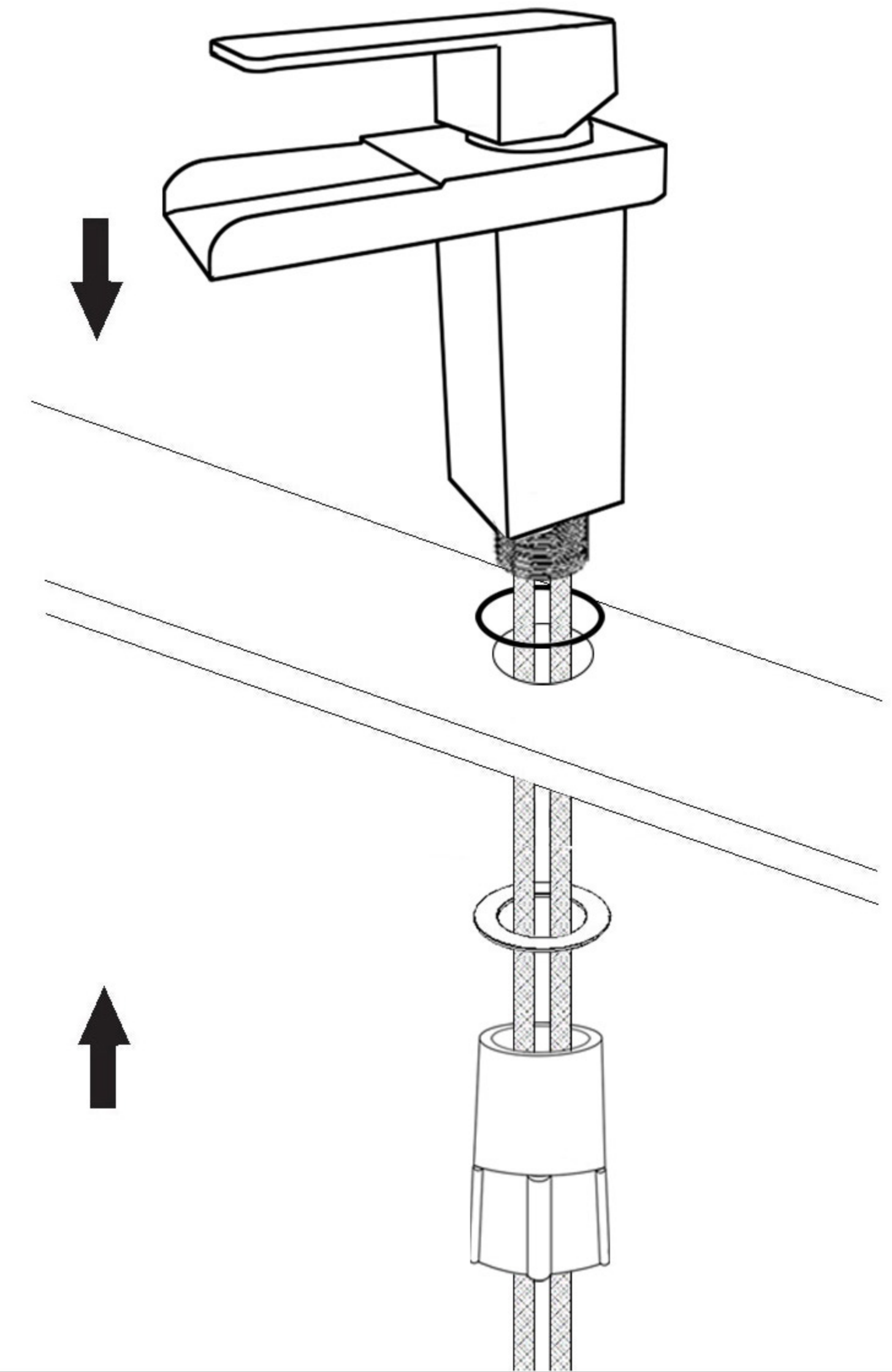


1



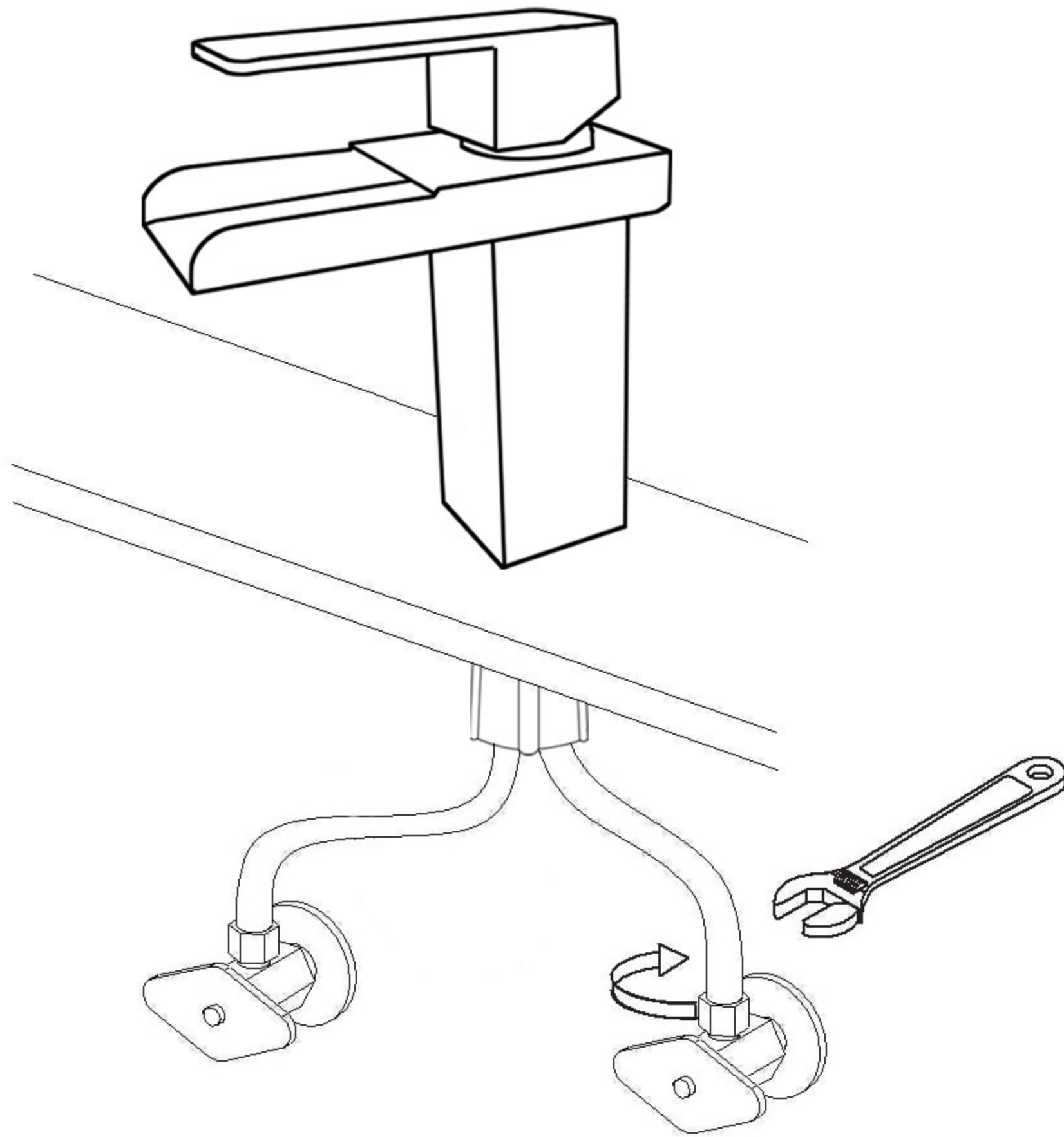
1. At first, install the O-ring in the groove of the bottom of the faucet, and then screw the lock nut on it. Tighten the hot and cold hoses with the body of the faucet.

2



2. Put the faucet into the installation hole. **(Suggestion: diameter 35MM for installation hole)** Put the washer on the lock nut as shown, then tighten with screws.

3

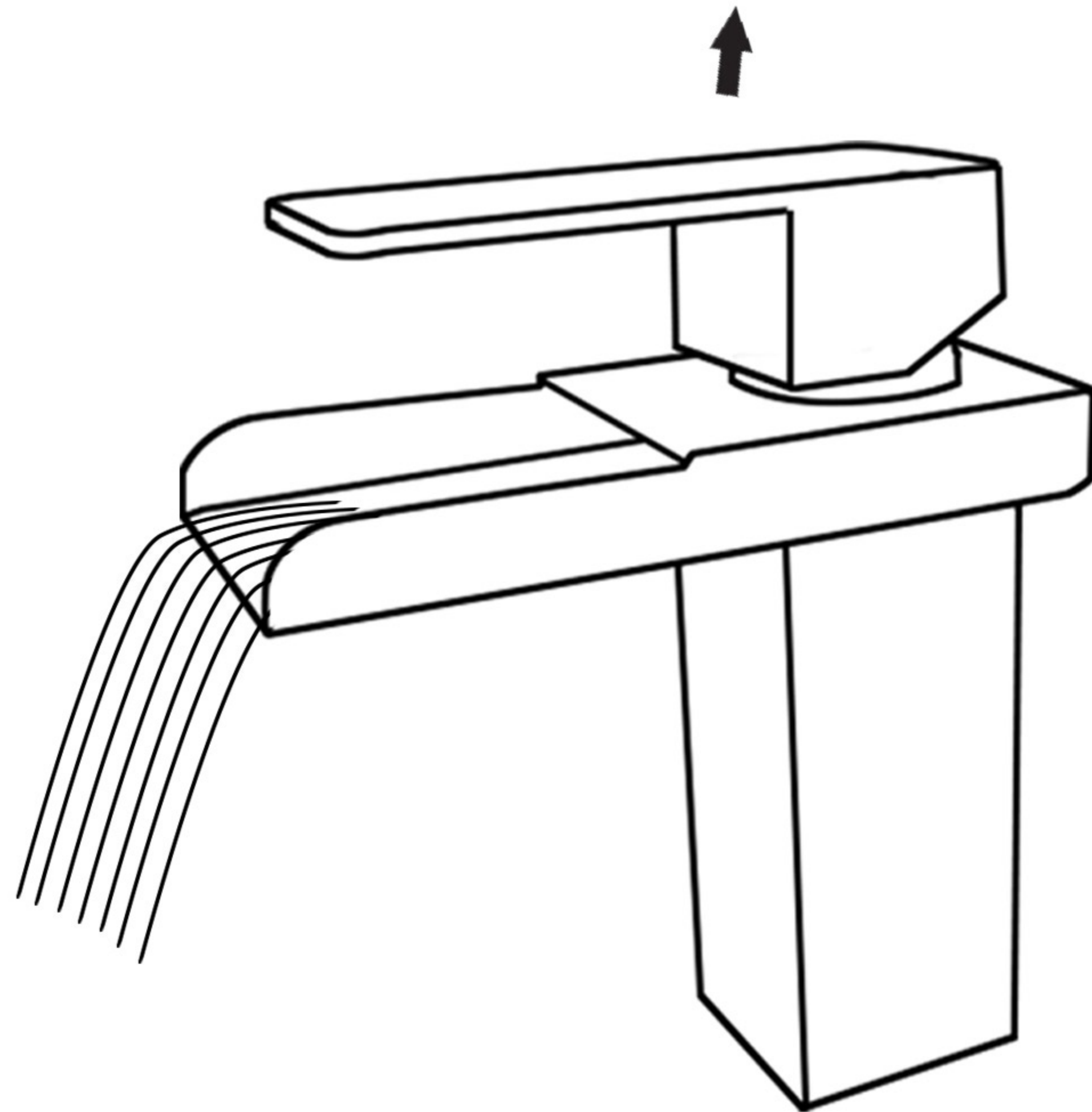


3. Connect the flexible hoses to water supply valve, and tighten it with adjustable wrench. Don't over tighten avoiding damage the washer.

Maintenance:

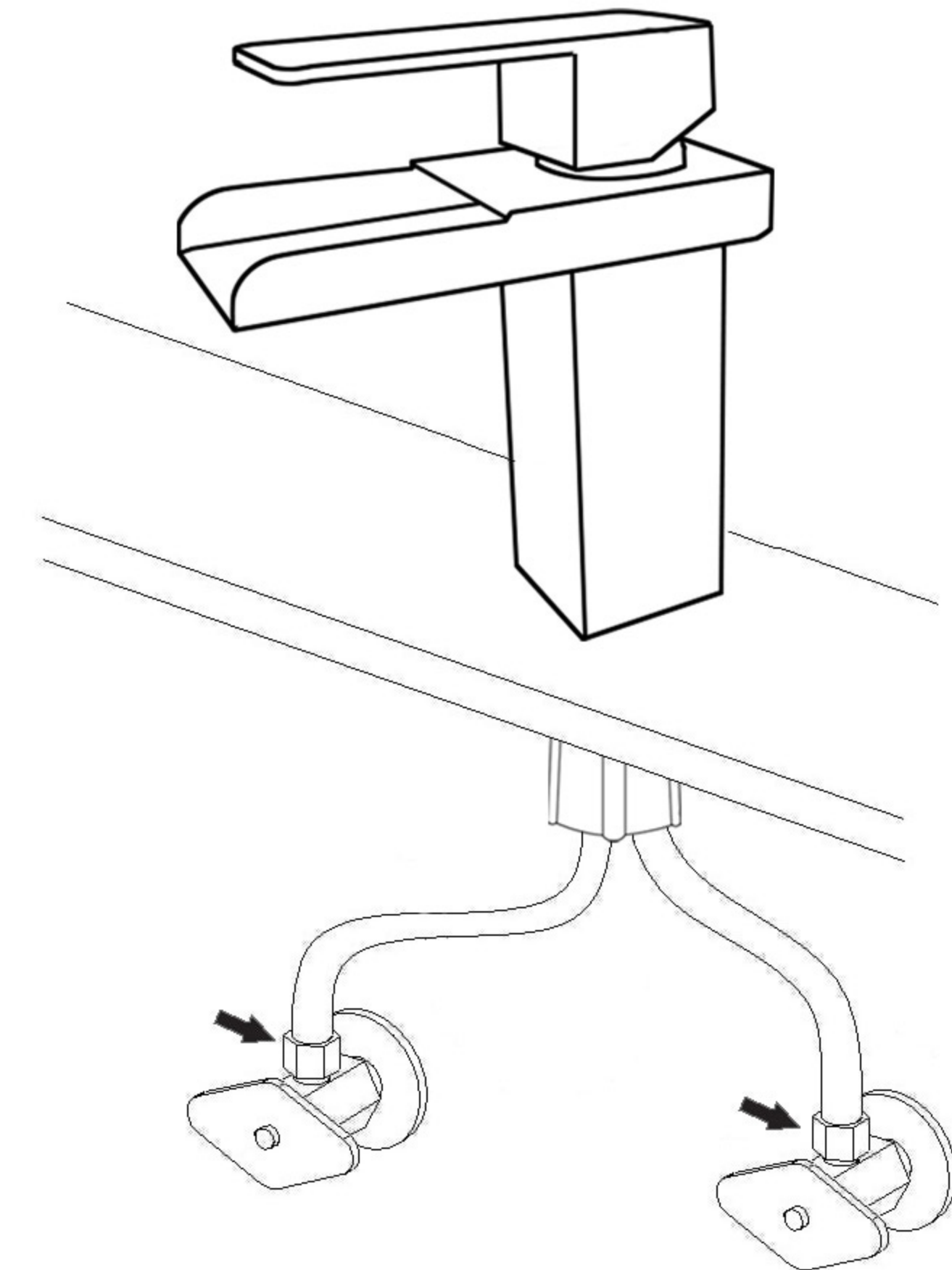
1. Operate the faucet gently in order for a sustainable use.
2. Always blot dry any water from faucet surface. Clean with a damp non-abrasive sponge and wipe it with a clean soft cloth should be helpful to maintain good finish of the faucet. To remove water spots, apply warm water and a soft cloth. Make certain to rinse thoroughly with water immediately after cleaner.
3. Although the finish is extremely durable, it can be damaged by some cleaners. Do not use detergent powder, polishing powder, granular detergent or nylon brush to clean.
4. Do not use acidic detergents. If happened, it must be rinsed properly and wiped dry with a soft cloth.
5. When the air temperature is below 0°C, heating solution in the house is a must.
6. Shut off the water supply valves while it will not be in use for a long time.
7. We reserve the right to make revisions in the design of faucets without notice.

1



1. Turn on the hot and cold water for 1 minute in order to check the outlet

2



2. Check all connection at arrows for leaks, re-tighten it if necessary.



BUT DON'T OVER TIGHTEN