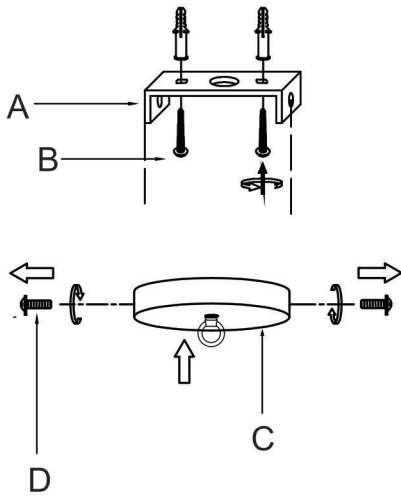


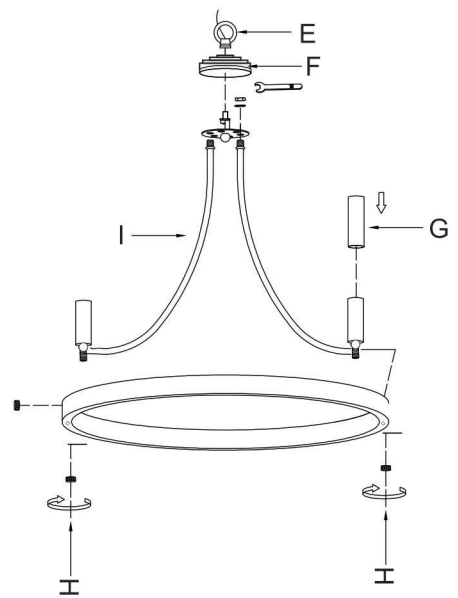
1



Step1.

- 1.Remove (A) from (C) by unscrewing (D).
- 2.Scure (A) to ceiling by (B).

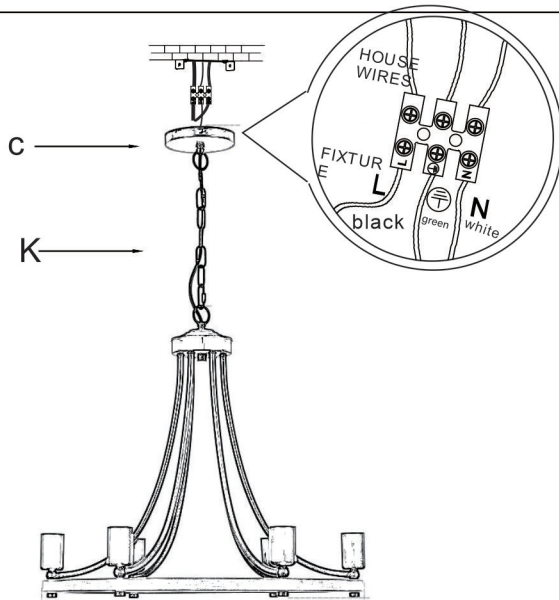
2



Step2.

- 1.Unscrew (E) and remove (F).
- 2.Use Screwdriver to tighten (I) and screw (H) to connect (J).
- 3.Place (G) cover holders.
- 4.Retighten (F) by (E)) (reversal of step 2.1).

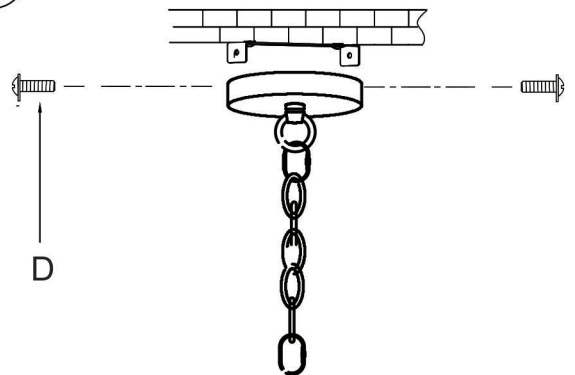
3



Step3.

- 1.Determine the desired length of the fixture and feed the wire through the (K) and (C).
- 2.Connect black fixture wire to black supply wire and white fixture wire to white supply wire using wire wire caps(provided).

4



Step4.

- 1.Reinstall (D) (reversal of step 1.1).

GETTING STATED

- 1.Make sure all part are included before discarding any packing materials.
- 2.Shut off main electrical supply at fuse box or circuit breaker. Simply turning the power off the power off using the light switch is not sufficient to prevent electrical shock!
- 3.Insert the light source after finishing the light fixture.
- 4.Requires installation by a licensed Electrician.