

ASSEMBLY INSTRUCTION

NOTES:

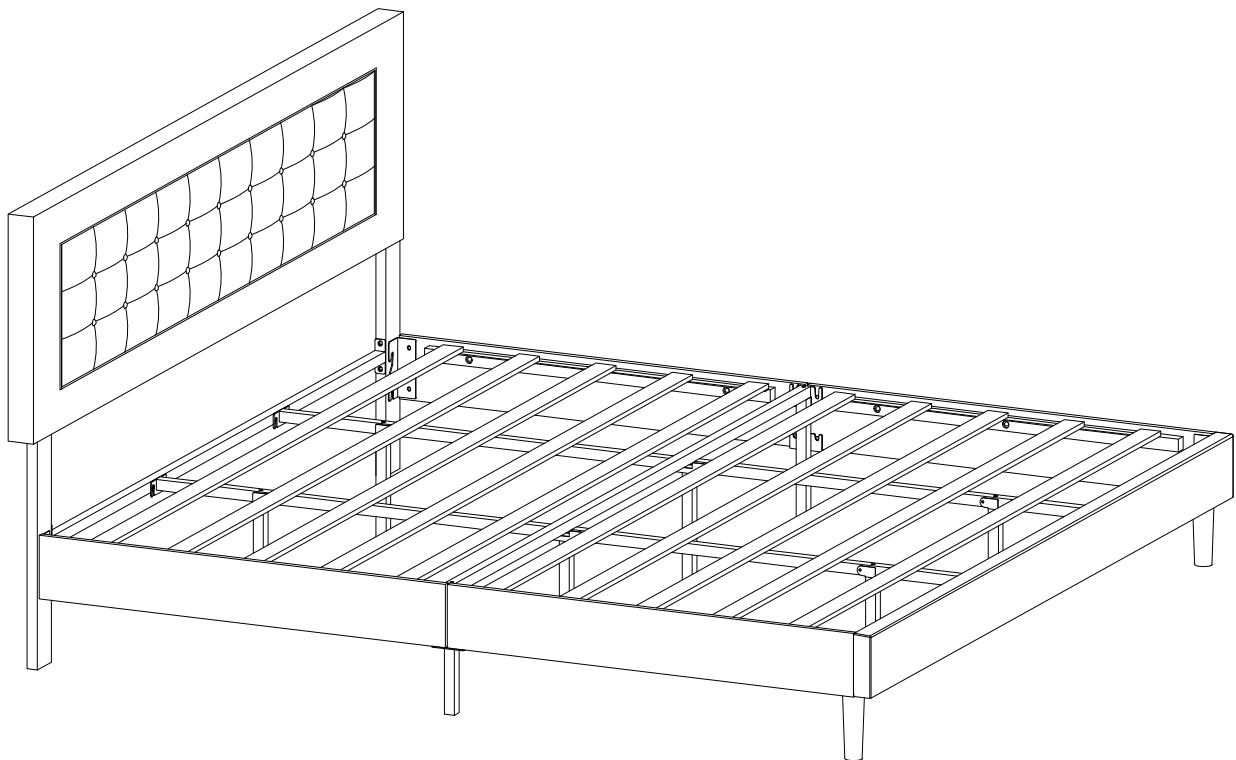
- Do not skip any step.
- Do not fully tight screws until all the bed parts are assembled.

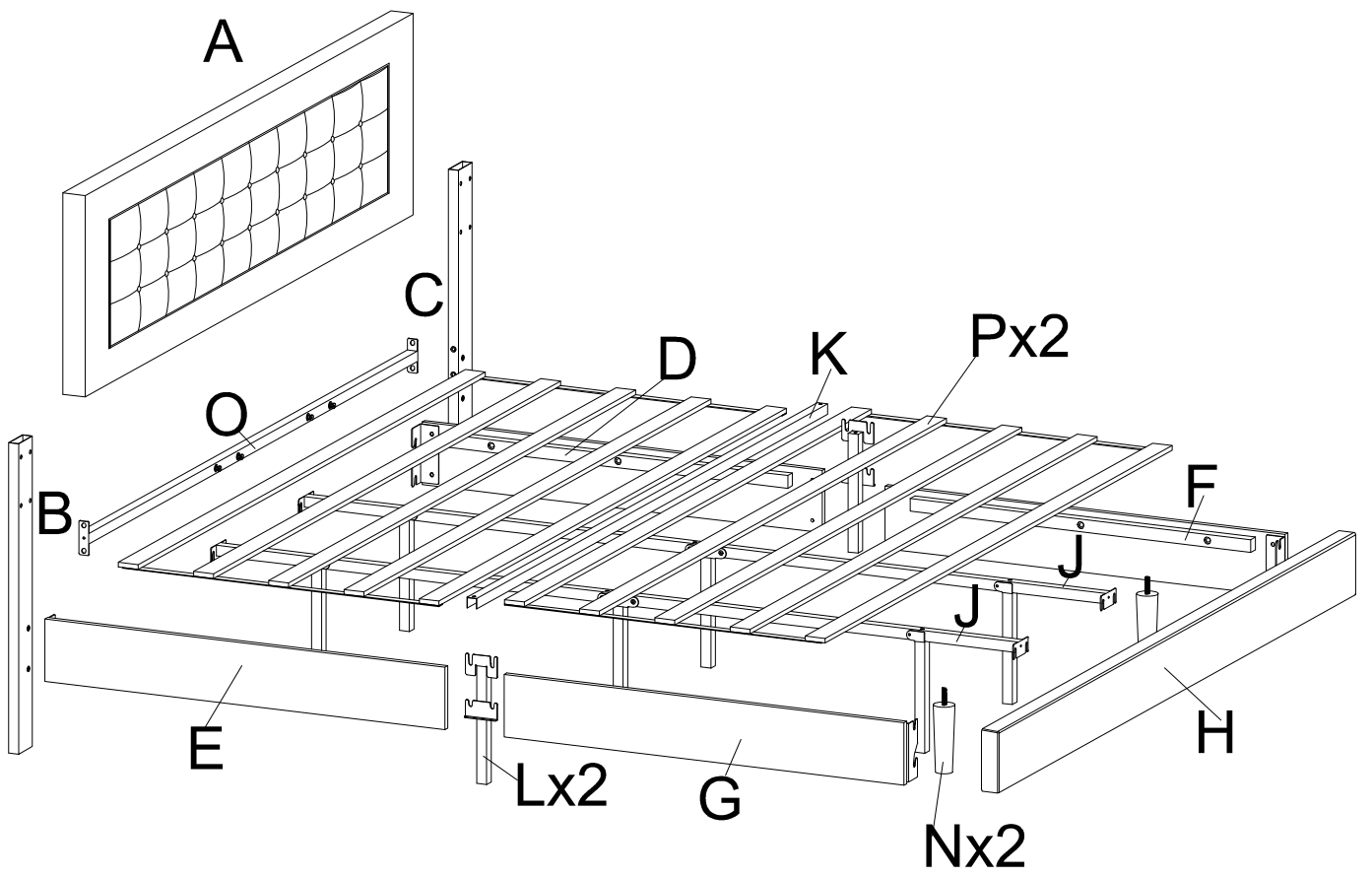
WARNING:

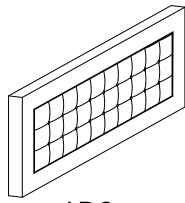
- WARNIND FOR YOUNG CHILDREN-This product contains small components,please ensure that they are kept away from small children while assembling.

Warranty Information:

- We warranty this product to be free from defects in materials.This warranty covers one year from the date of original purchase.



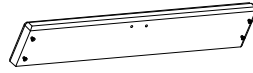


A

1PC

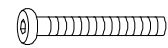
H

Comes with four (gg) screws



1PC

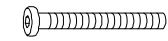
aa



M8x50

2

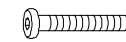
bb



M8x40

10

dd



M6x35

4

ee



5mm

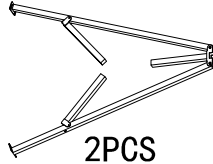
1

B

Comes with two (ff) screws



1PC

J

2PCS

ff



M8x15

4

gg



M8x25

4

C

Comes with two (ff) screws



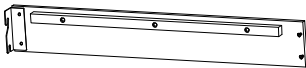
1PC

K

1PC

D

Comes with two (ff) screws



1PC

L

2PCS

E

Comes with two (ff) screws



1PC

N

2PCS

F

Comes with two (ff) screws



1PC

O

Comes with two (hh) screws



1PC

SPARE

aa



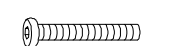
1

bb



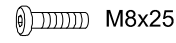
1

dd



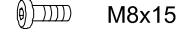
1

gg

M8x25
Screws on the board

2

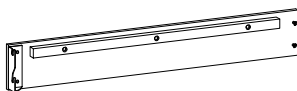
ff

M8x15
Screws on the board

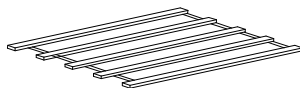
3

G

Comes with two (ff) screws

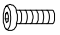



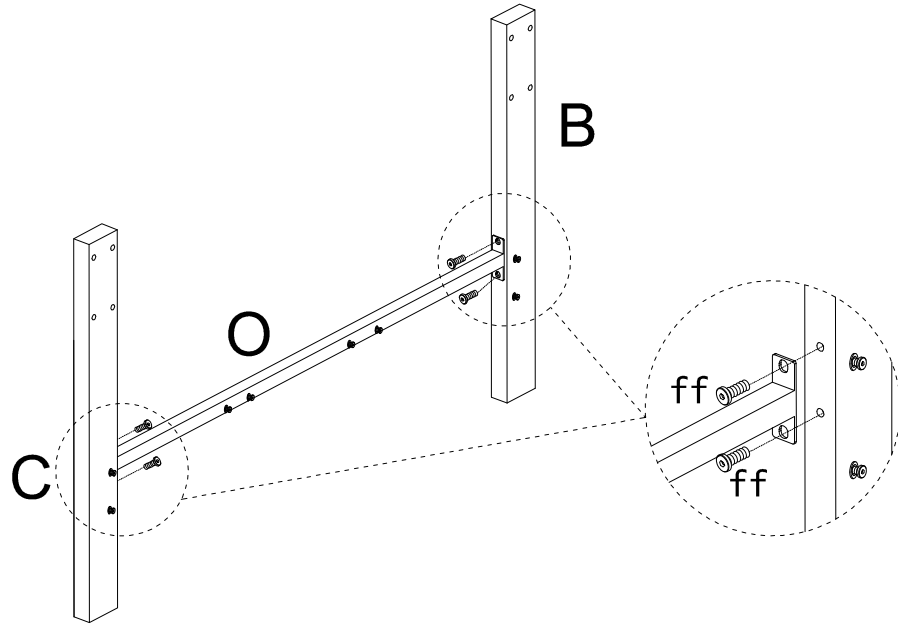
1PC

P

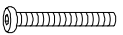

2PCS

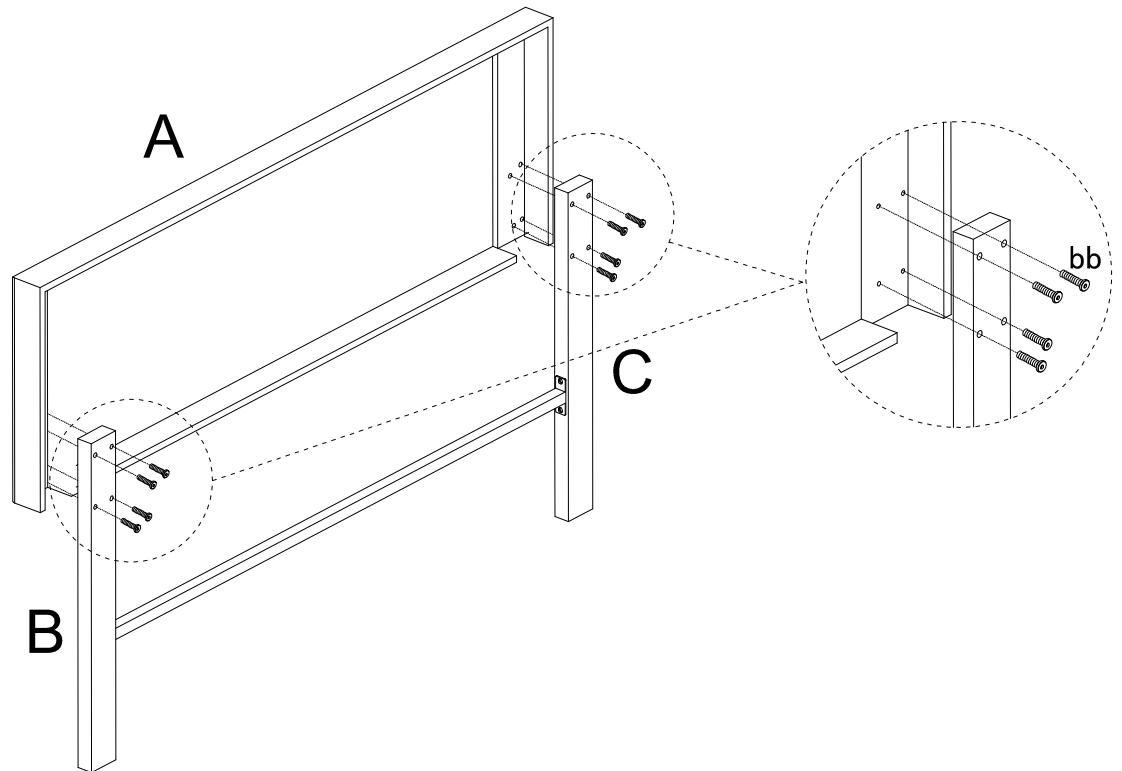
Step 1

ff		M8x15	4
ee		5mm	1

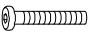



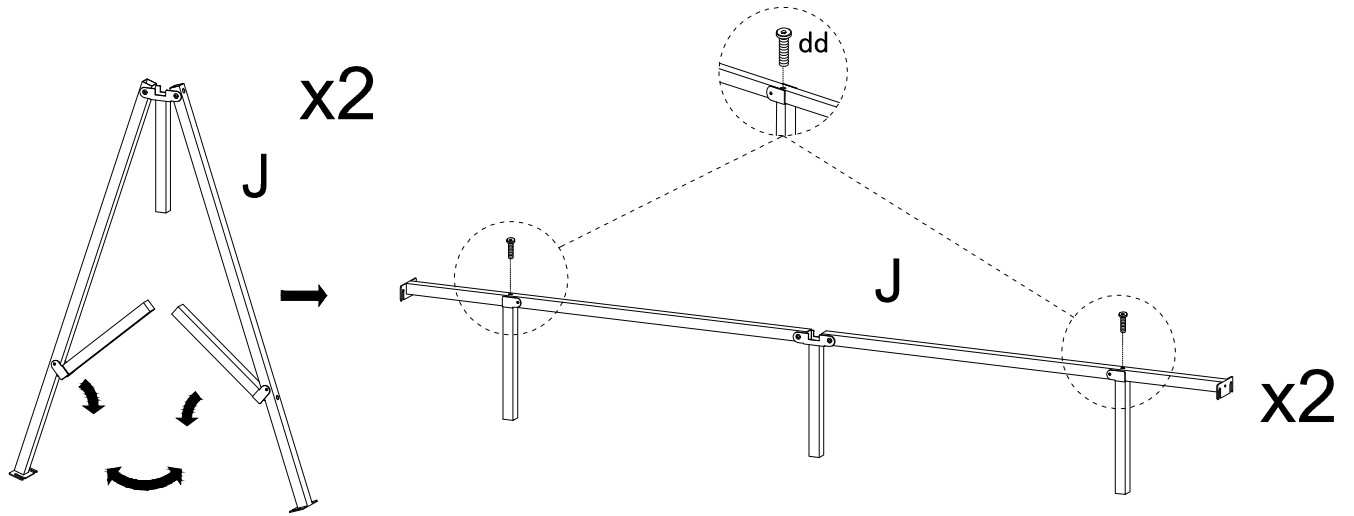
Step 2

bb		M8x40	8
ee		5mm	1

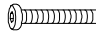



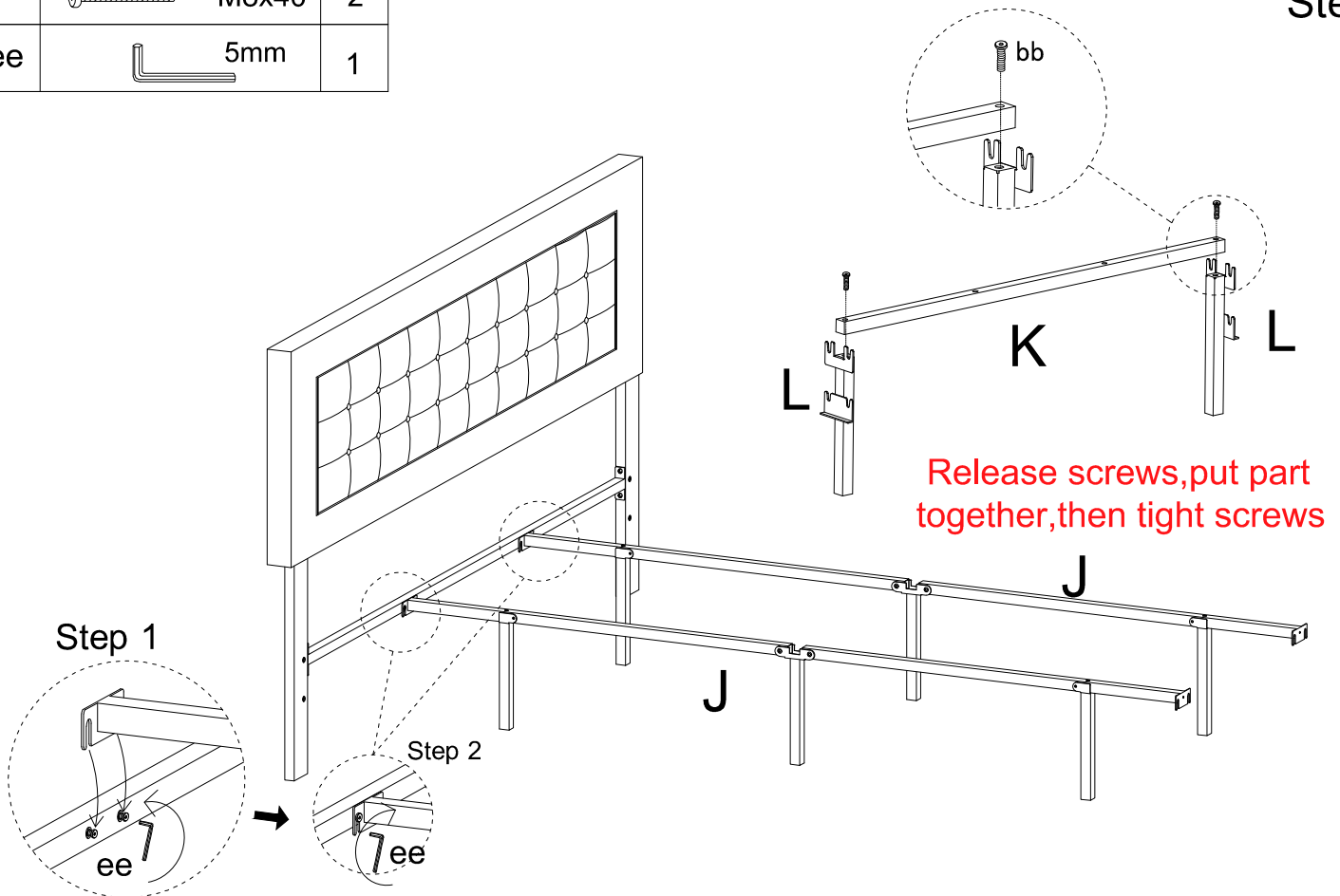
Step 3

dd		M6x35	4
ee		5mm	1

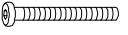



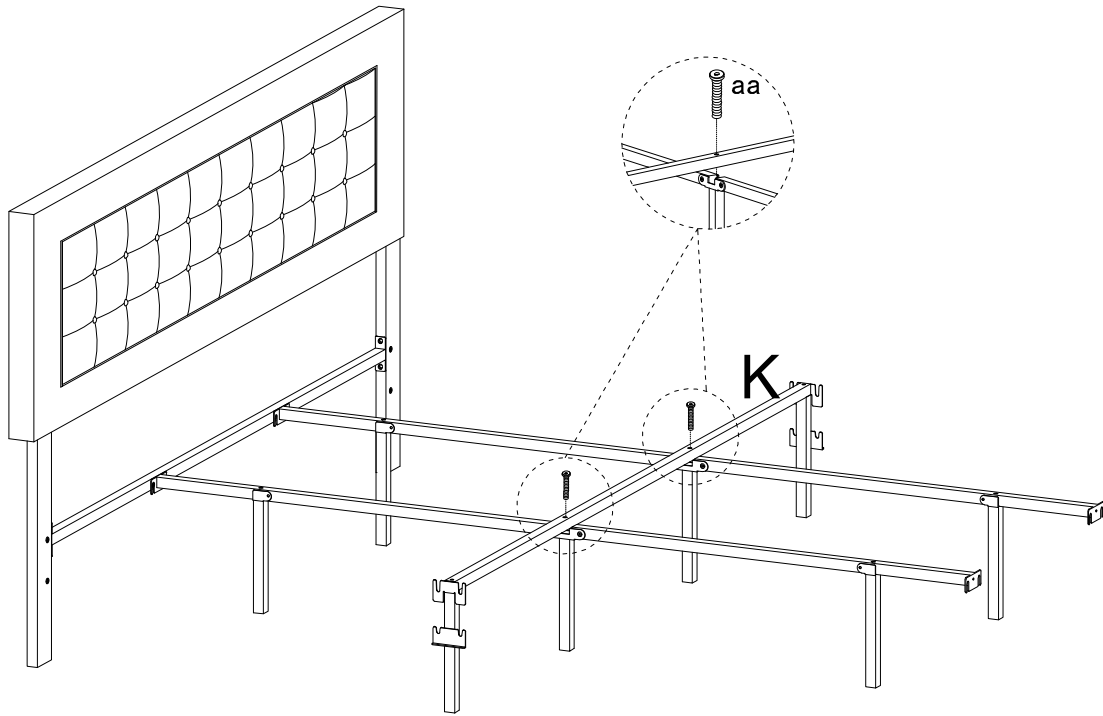
Step 4

bb		M8x40	2
ee		5mm	1




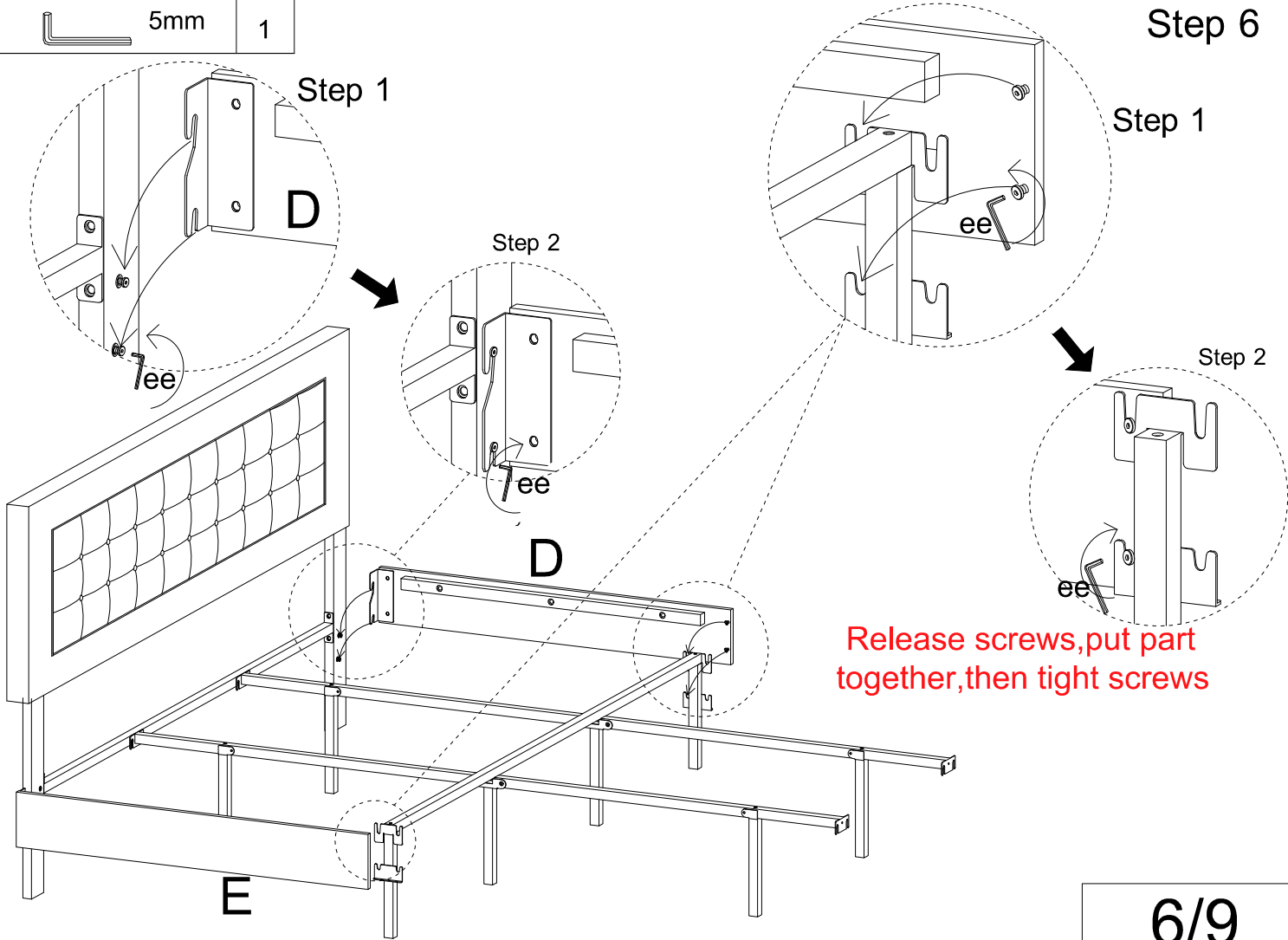
Step 5

aa		M8x50	2
ee		5mm	1



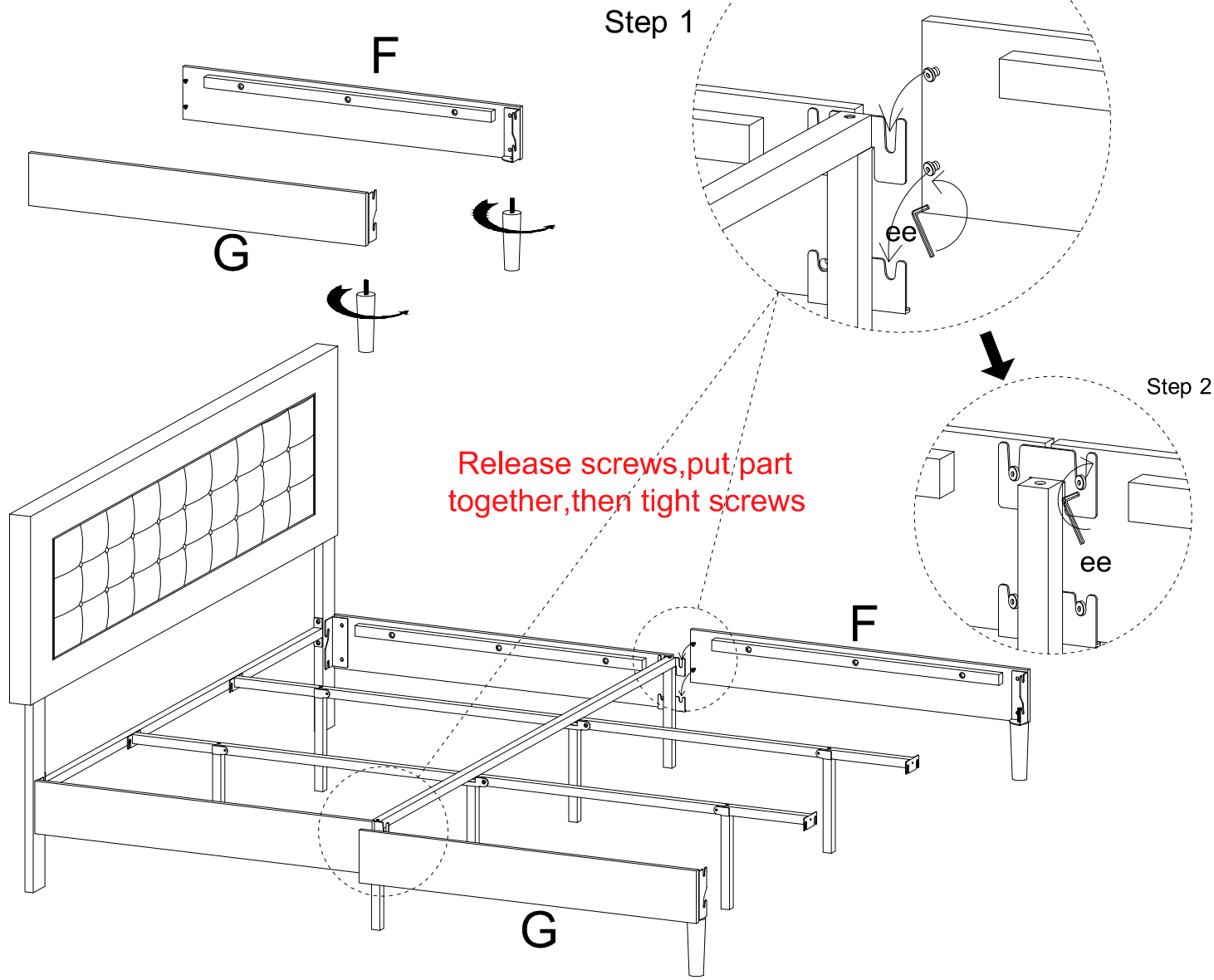
Step 6

ee		5mm	1
----	---	-----	---



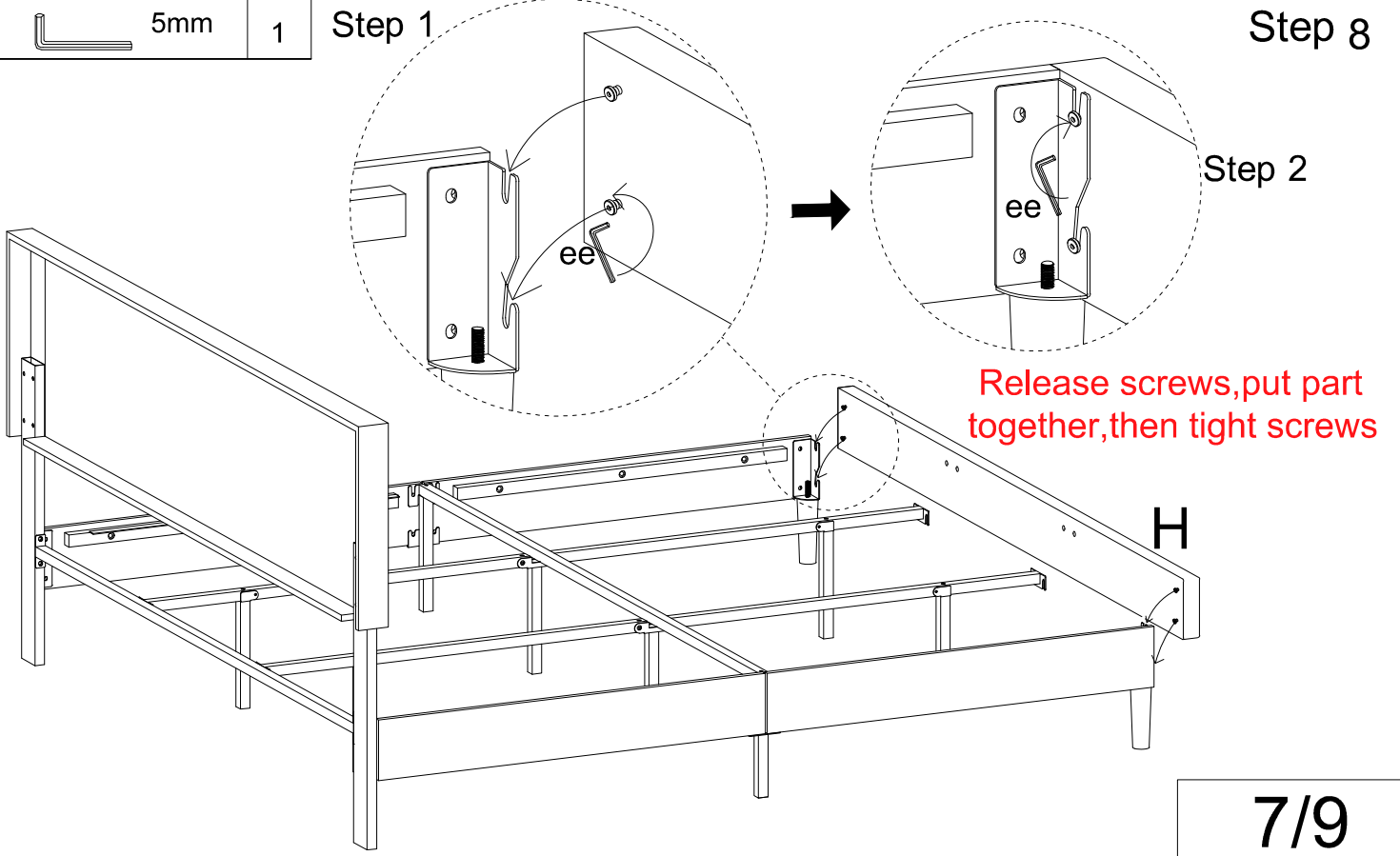
ee 5mm 1

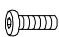


Step 7



ee 5mm 1

Step 8

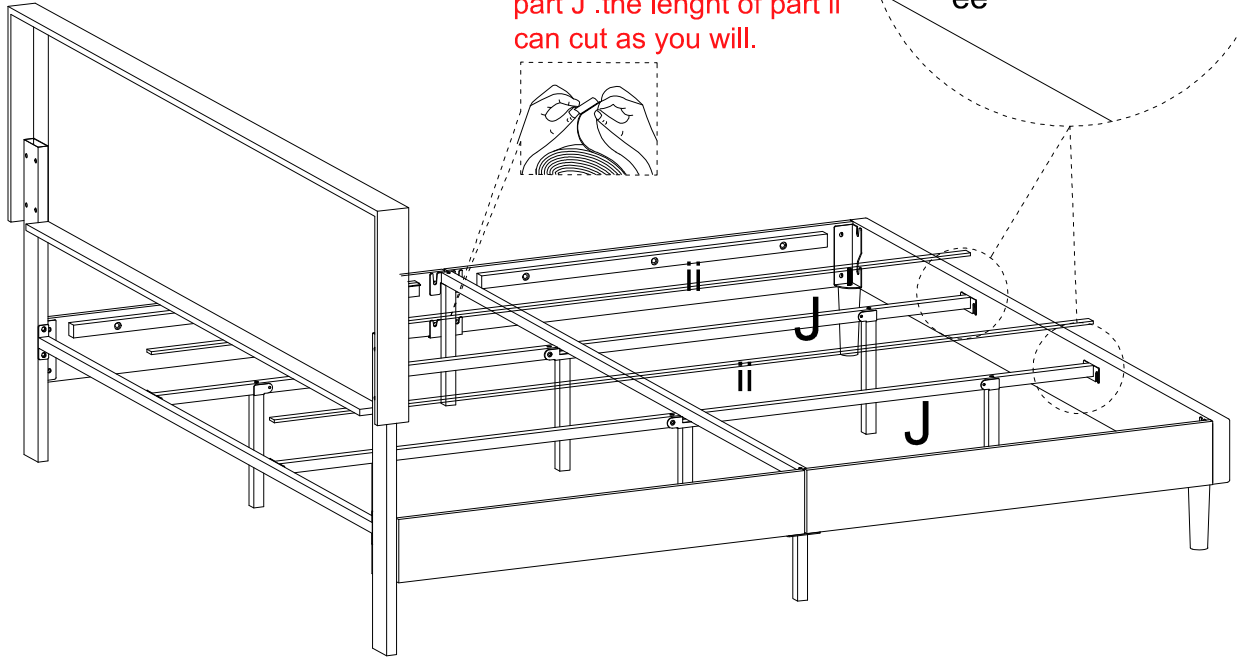
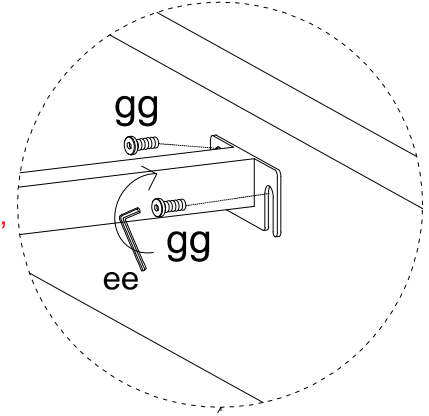


gg		M8x25	4	ee		5mm	1
ii			2				

Step 9

1. Tighten screw gg

2. To prevent friction noise, unroll part ii and fit it on part J. the length of part ii can cut as you will.



Step 10

