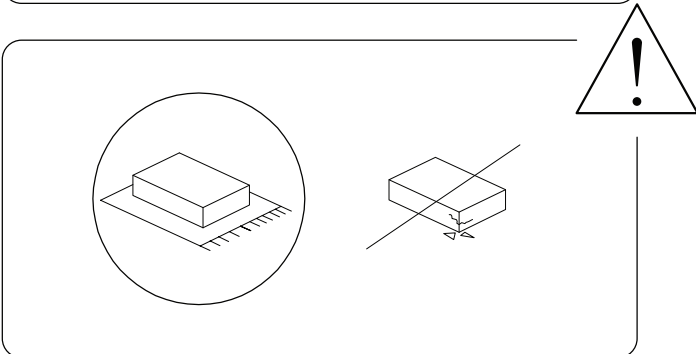
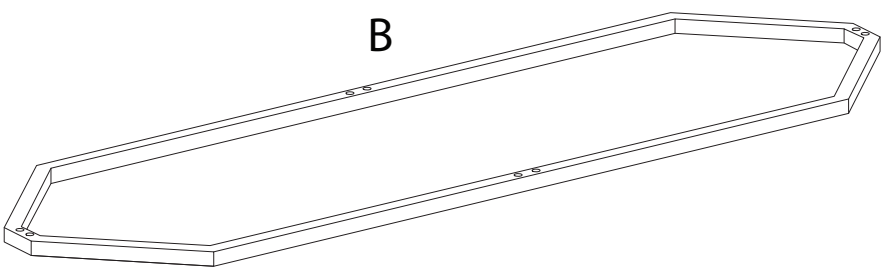
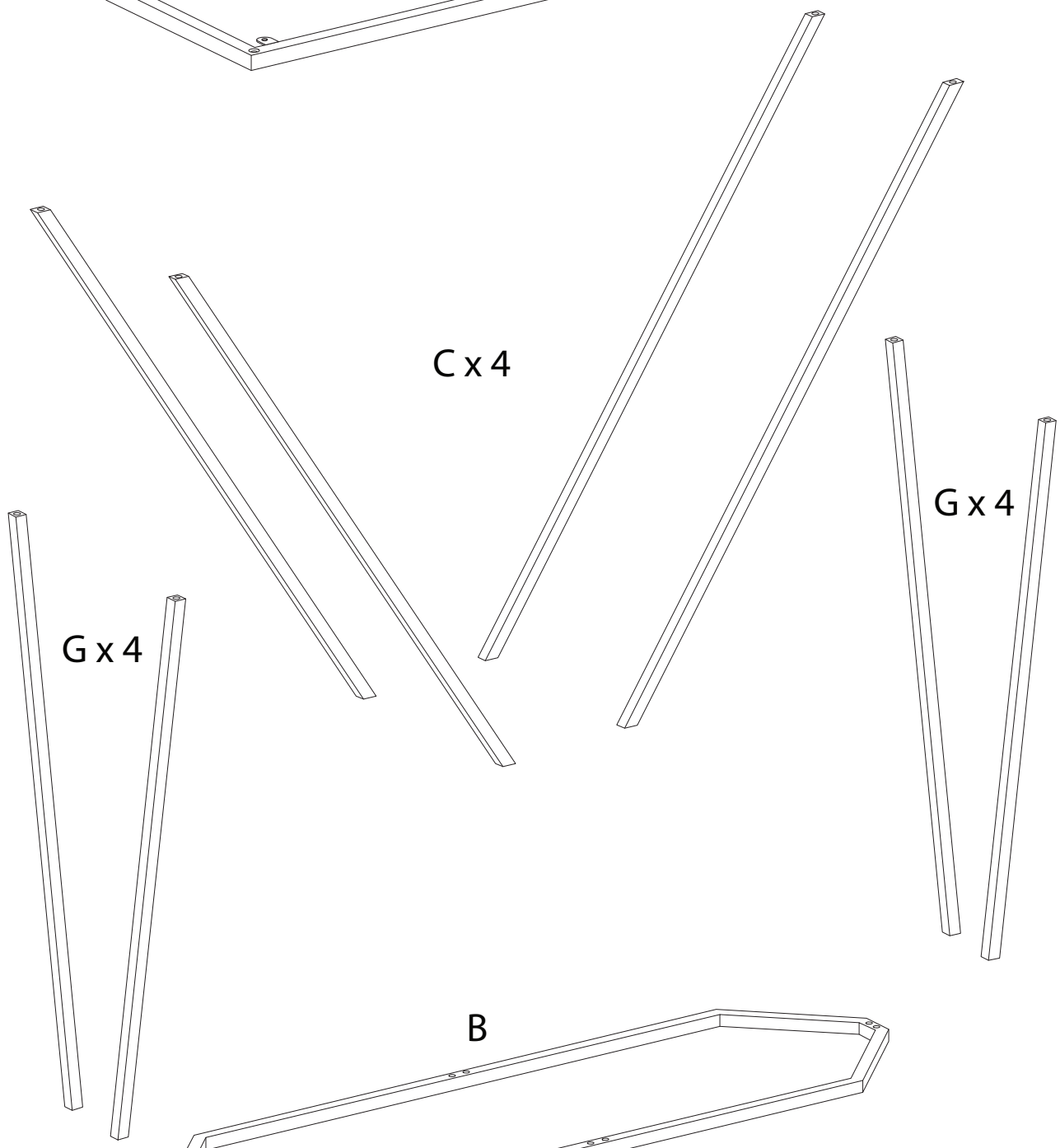
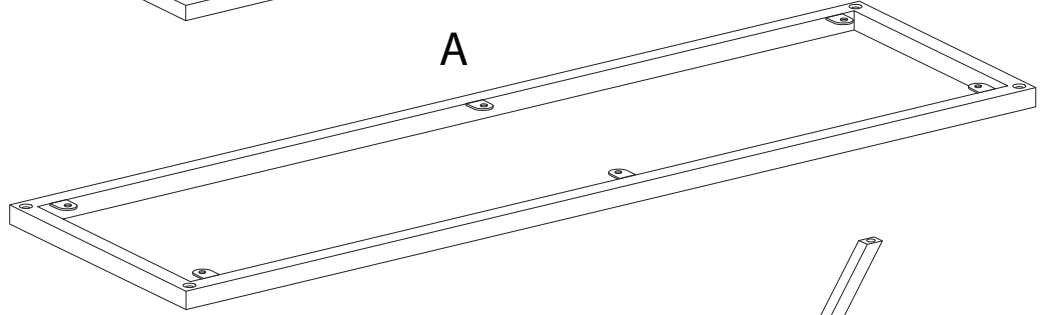
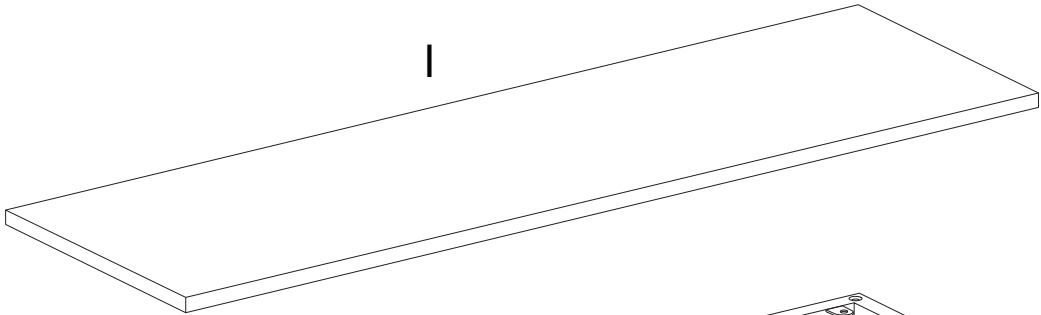


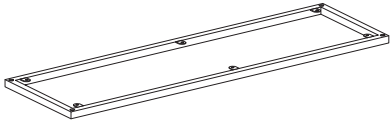
40'



2

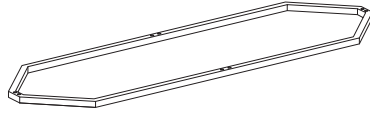


A



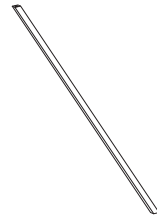
x 1

B



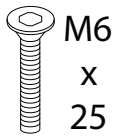
x 1

C



x 4

D



M6  
x  
25

x 8

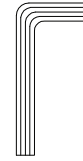
E



M6  
x  
25

x 8

F



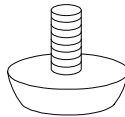
x 1

G



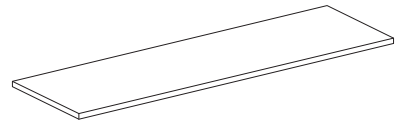
x 4

H



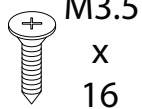
x 8

I



x 1

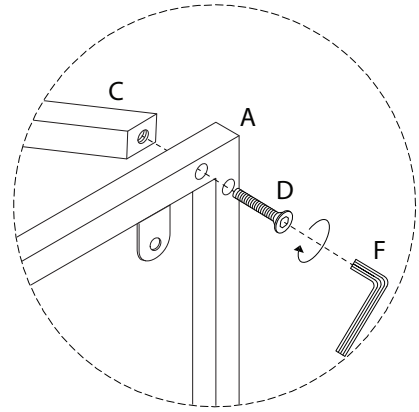
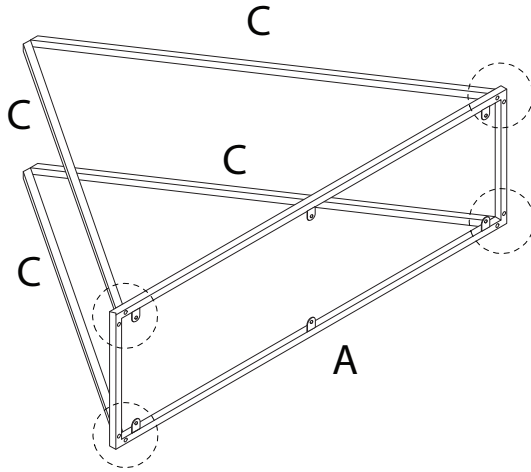
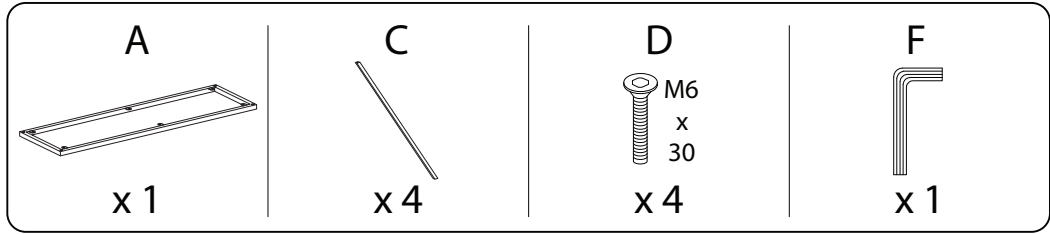
J



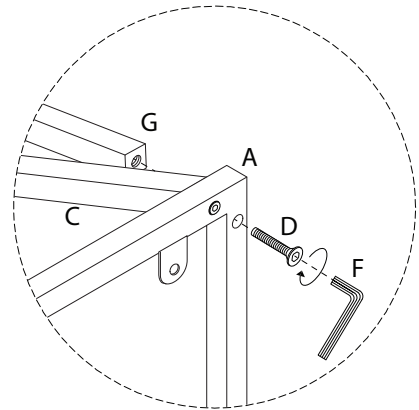
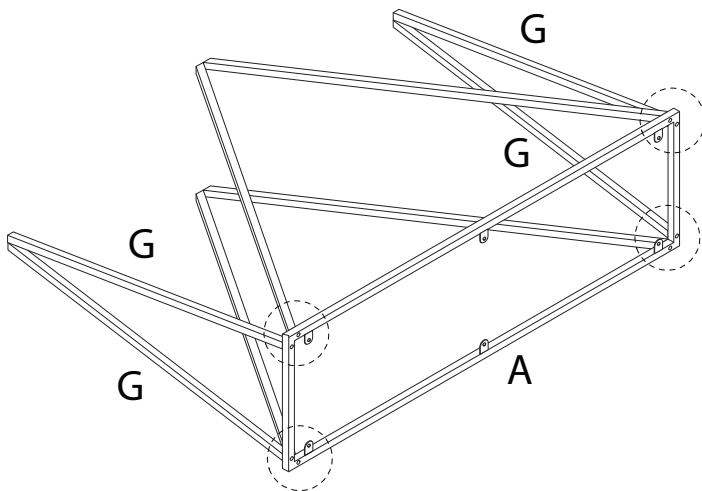
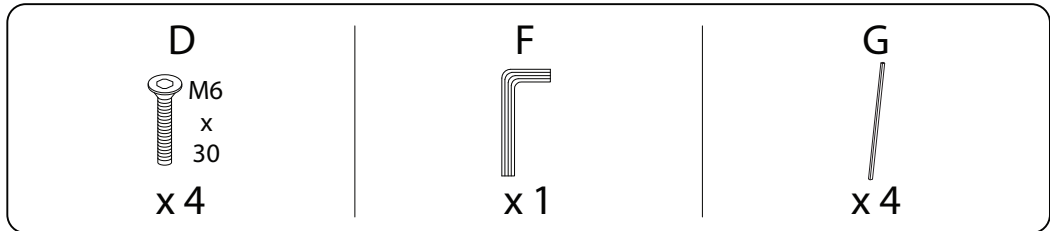
M3.5  
x  
16

x 6

1



2



3

B



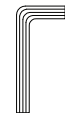
x 1

E

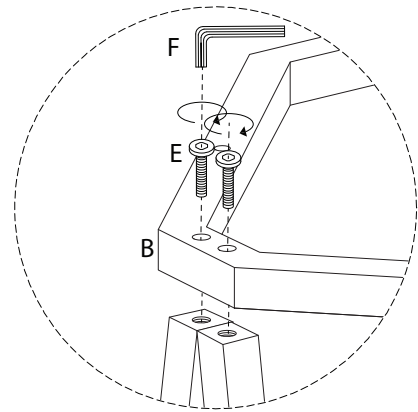
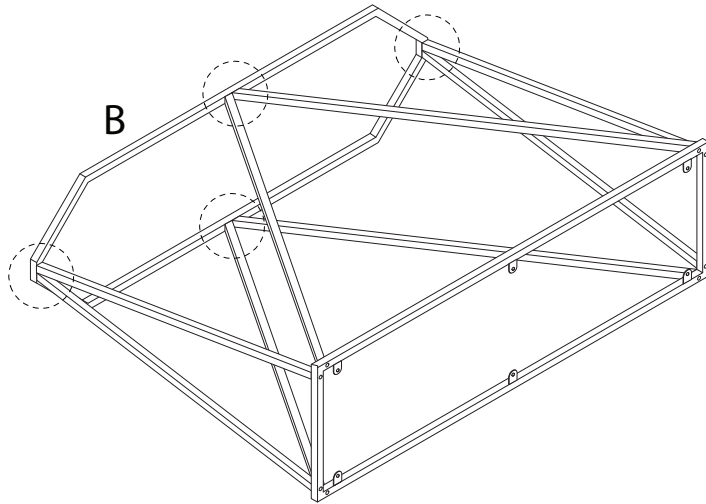


x 8

F

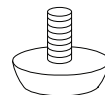


x 1

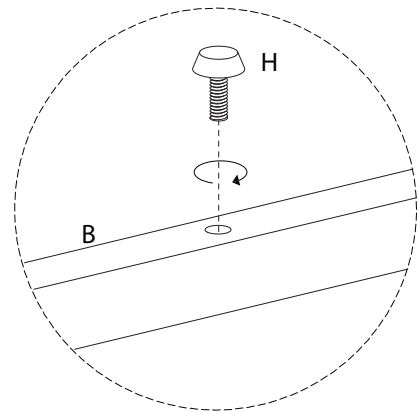
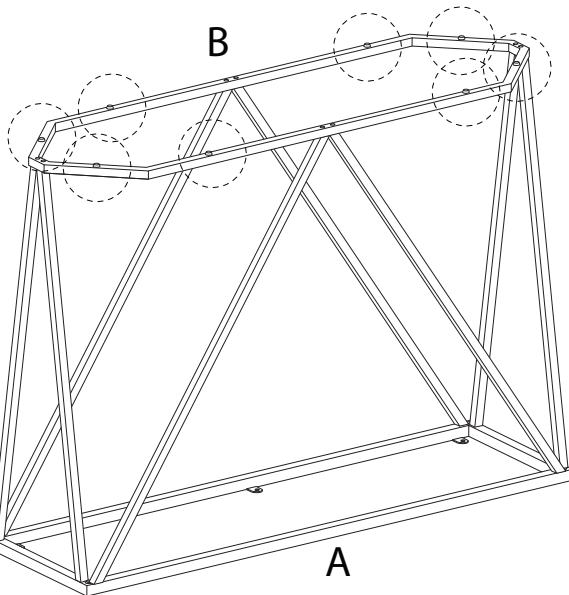


4

H

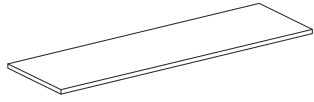


x 4



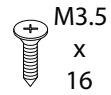
5

I



x 1

J



M3.5

x

16

x 6

