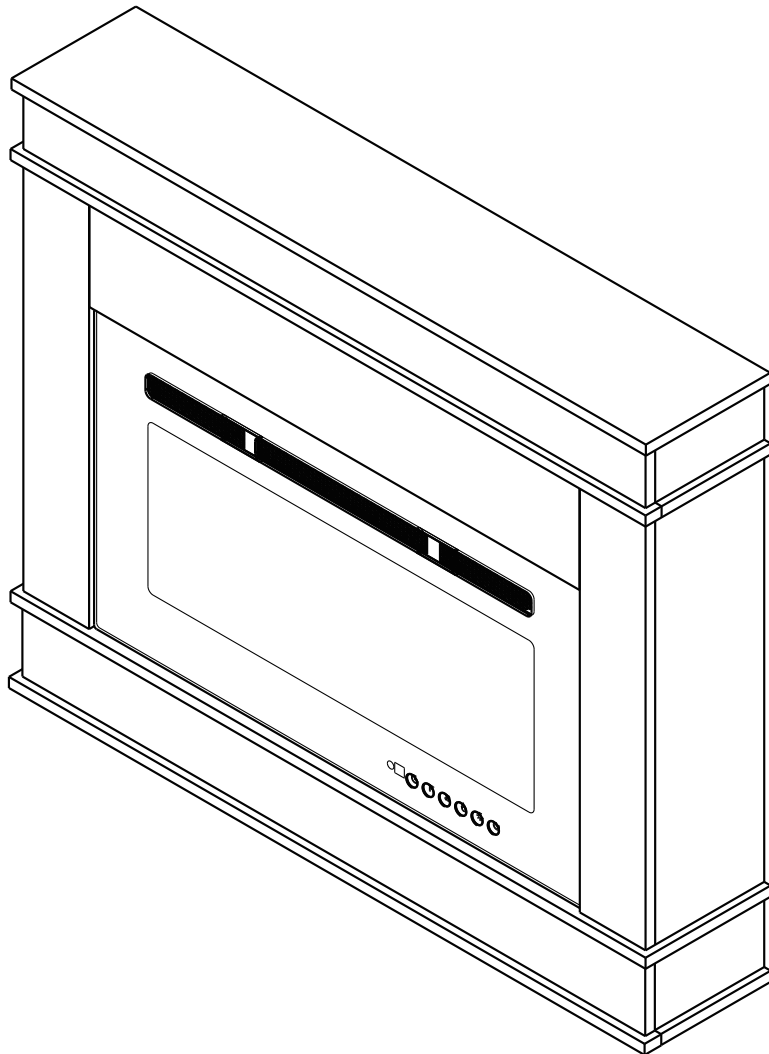
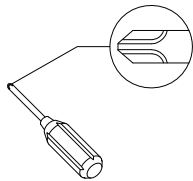


INSTRUCTION MANUAL

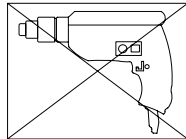


General Assembly Guidelines

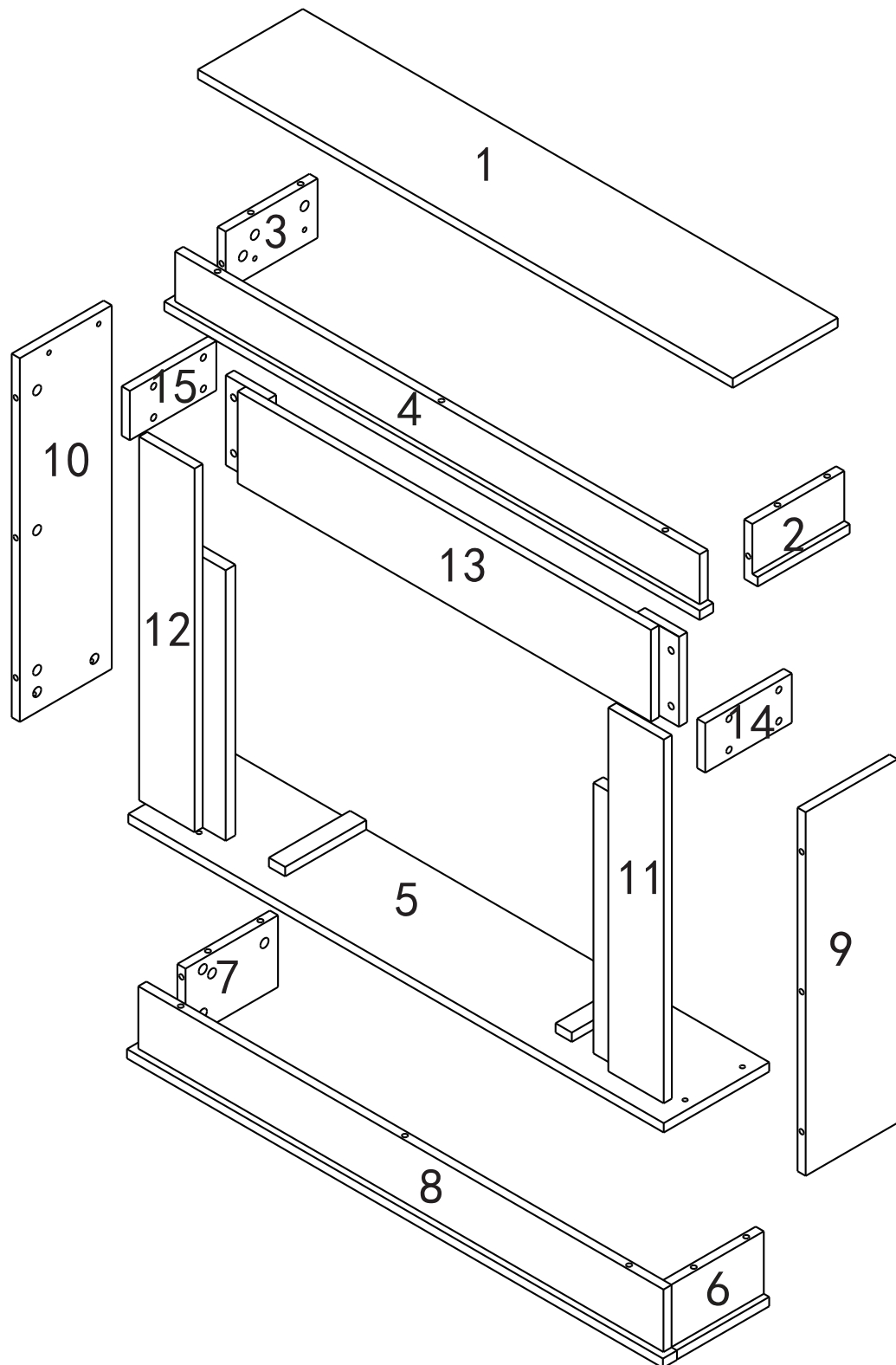
- I. Ensure that all parts and hardware are available before beginning assembly.
- II. Follow each step carefully to ensure the proper assembly of this product.
- III. Two people are recommended for ease in the assembly of this product.
- IV. The four main types of hardware used to assemble this product are: wood dowels, cam bolts and locks, bolts and screws.
- VI. A Phillips head screwdriver is required for the assembly of this product.



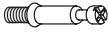



- VII. Power tools should not be used to assemble this product.








Partes List



Hardware List

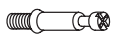
A			Cam lock	33 PCS
B			Cam bolt	33 PCS
C		Ø 4x20mm	Bolt	12 PCS
D				12 PCS

Wall mounting kit

PART #	IMAGE	DESCRIPTION	QTY.
AA		Mounting bracket	2
AB		Anchor	2
AC		Nylon strap	1
AD		Flat head screw, Ø 4 x 15 mm	2
AE		Flat head screw, Ø 4 x 30 mm	2

*The hardware quantities listed above are required for proper assembly.
Some extra hardware may also have been included.*

Fig.1

A  7

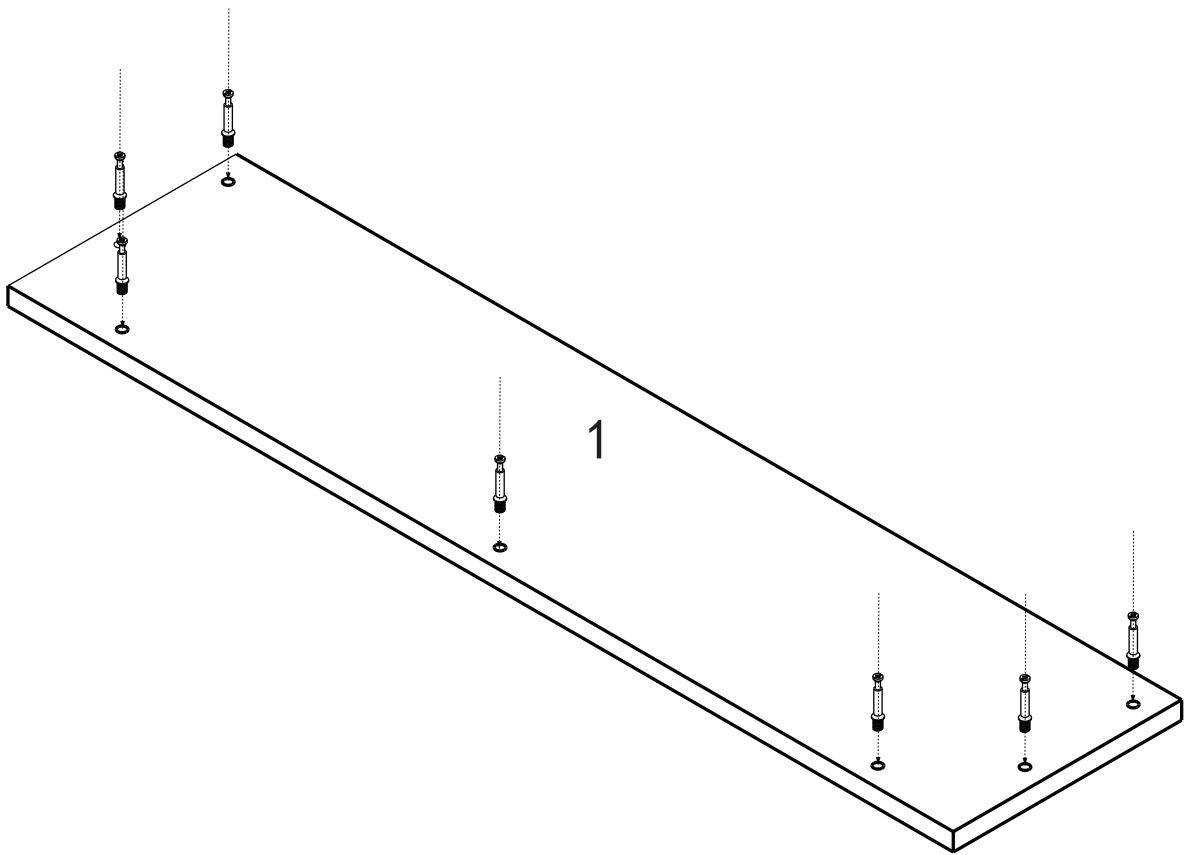
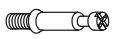


Fig.2

A  2

B  2

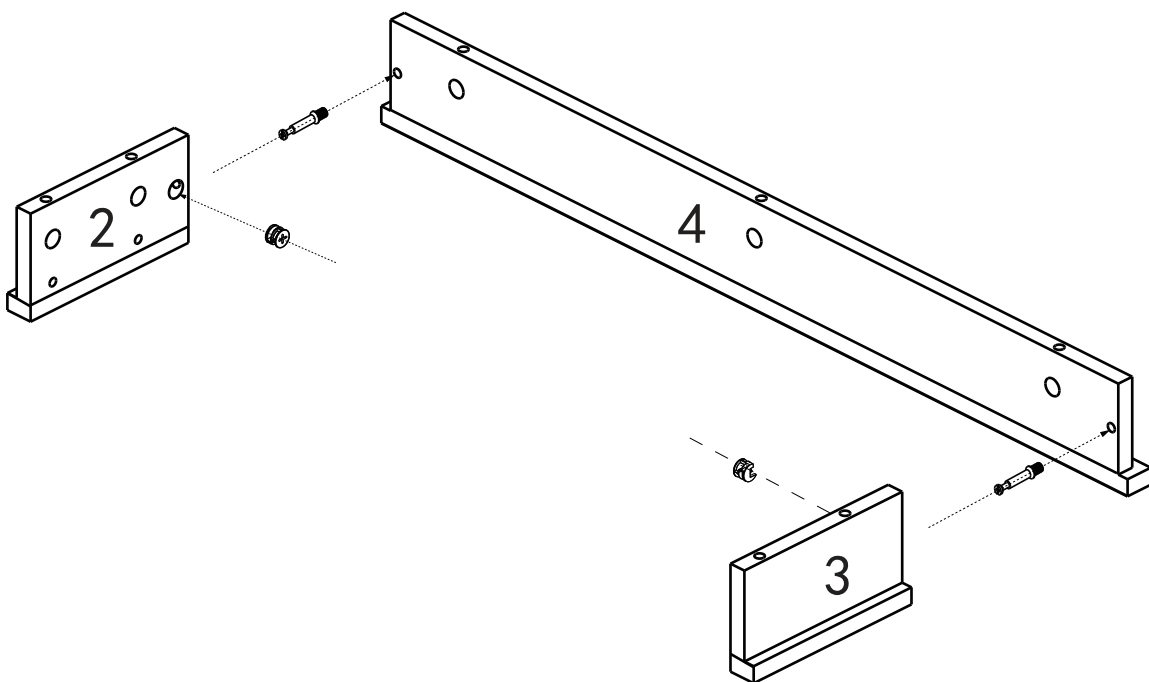


Fig.3

B  7

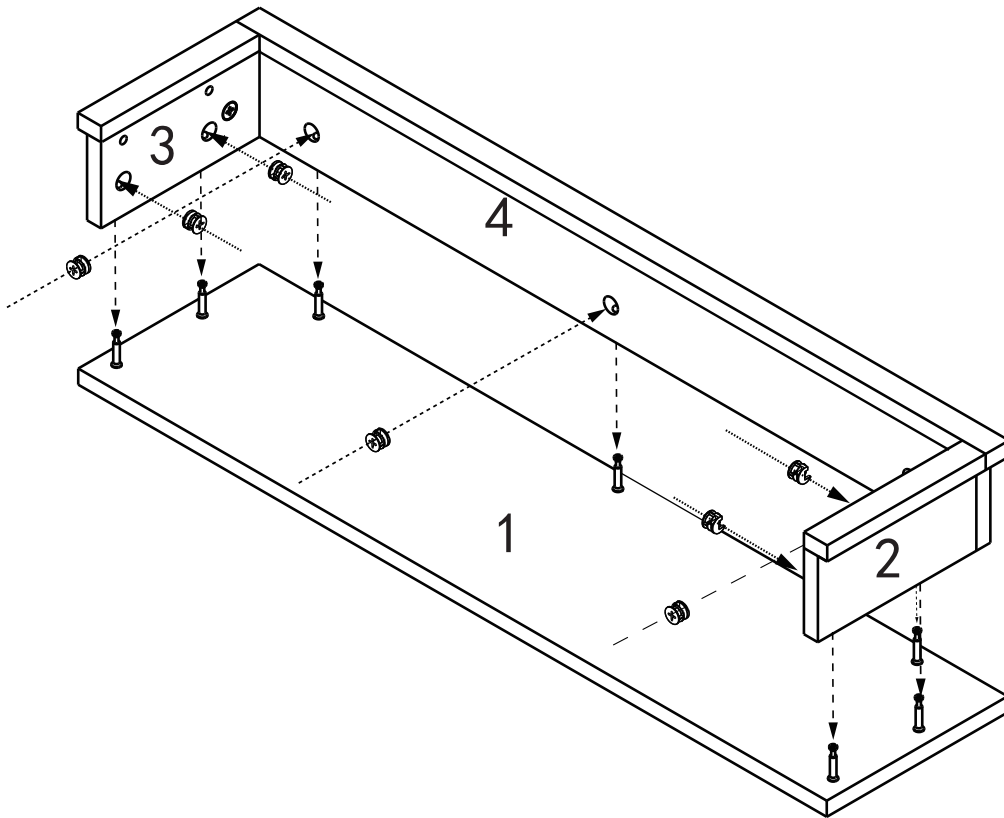


Fig.4

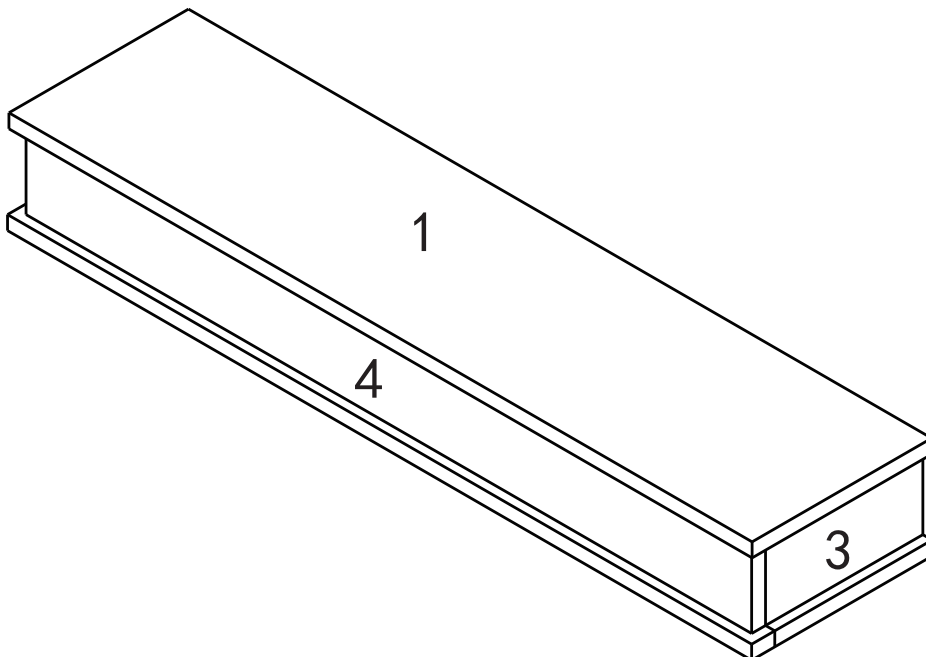


Fig.5

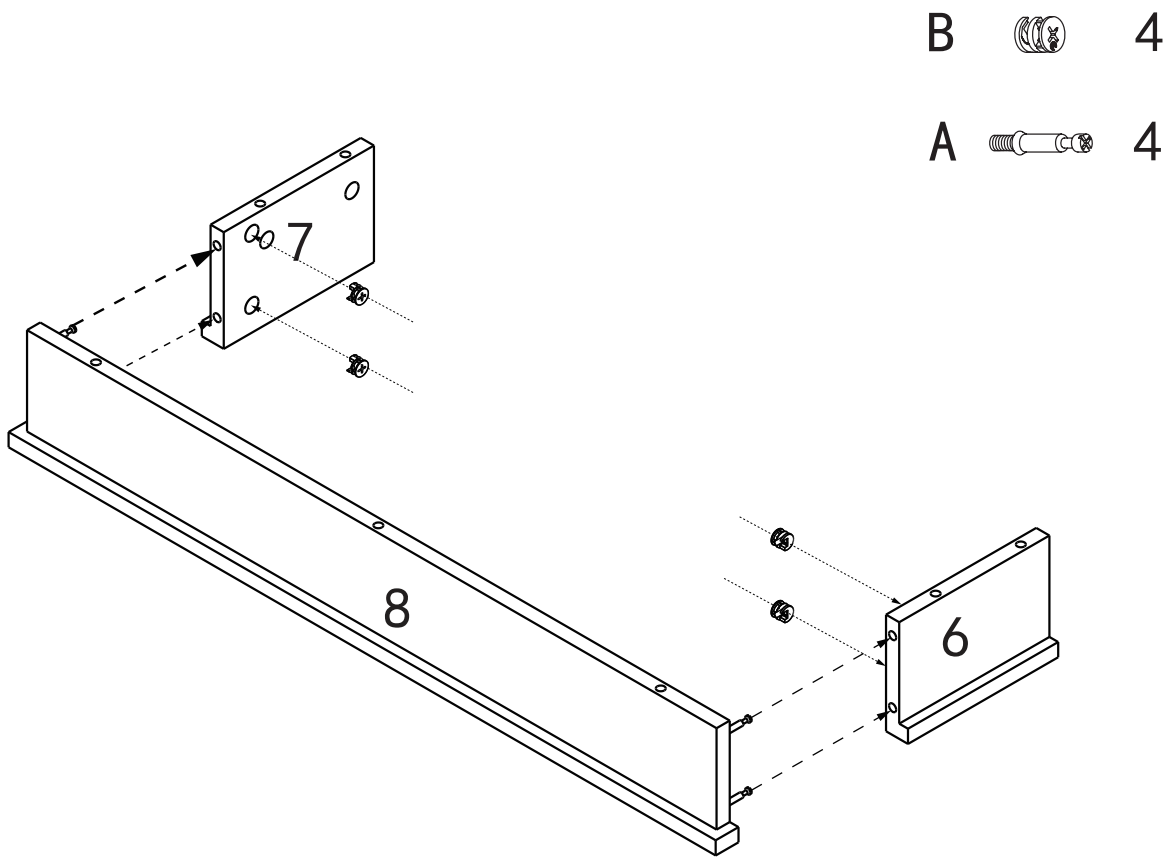


Fig.6

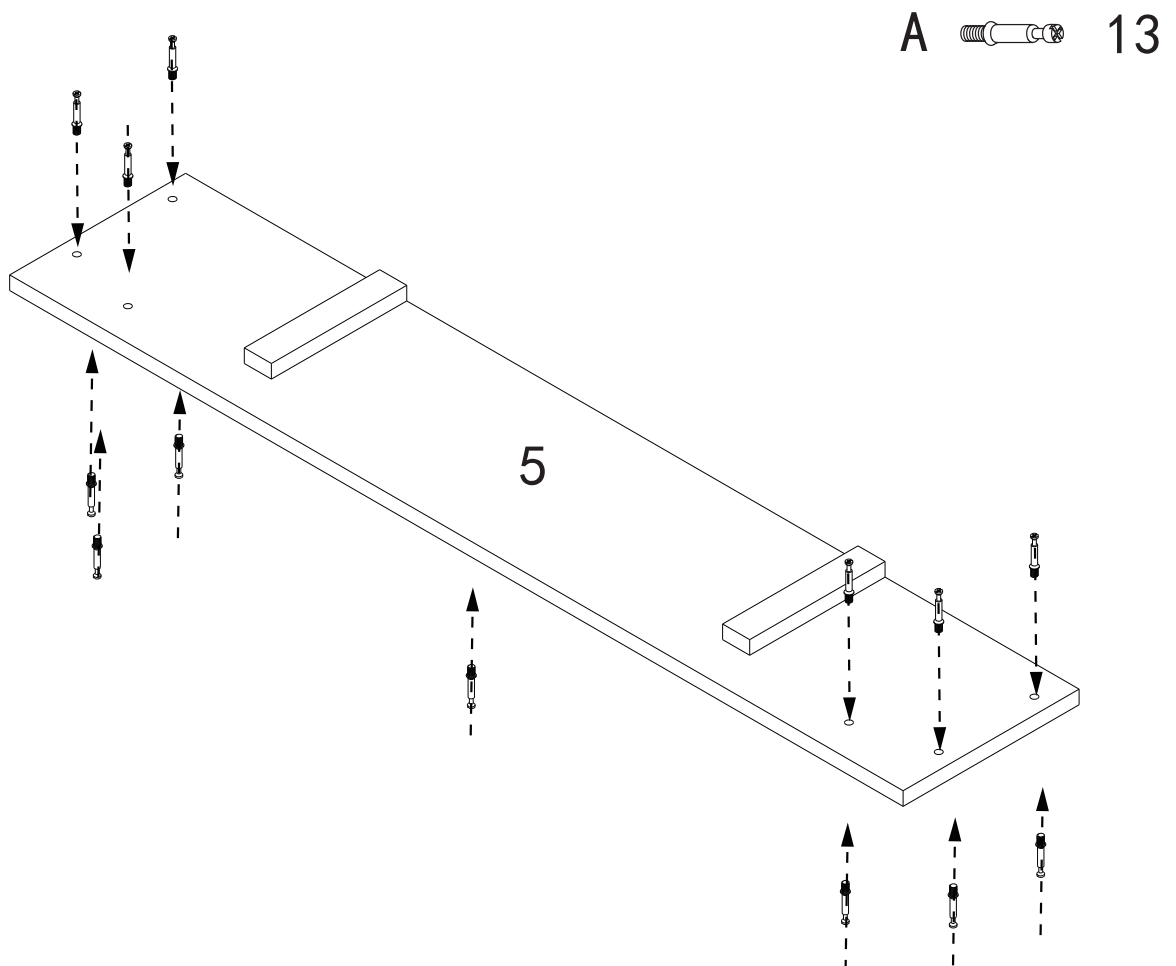


Fig.7

B



6

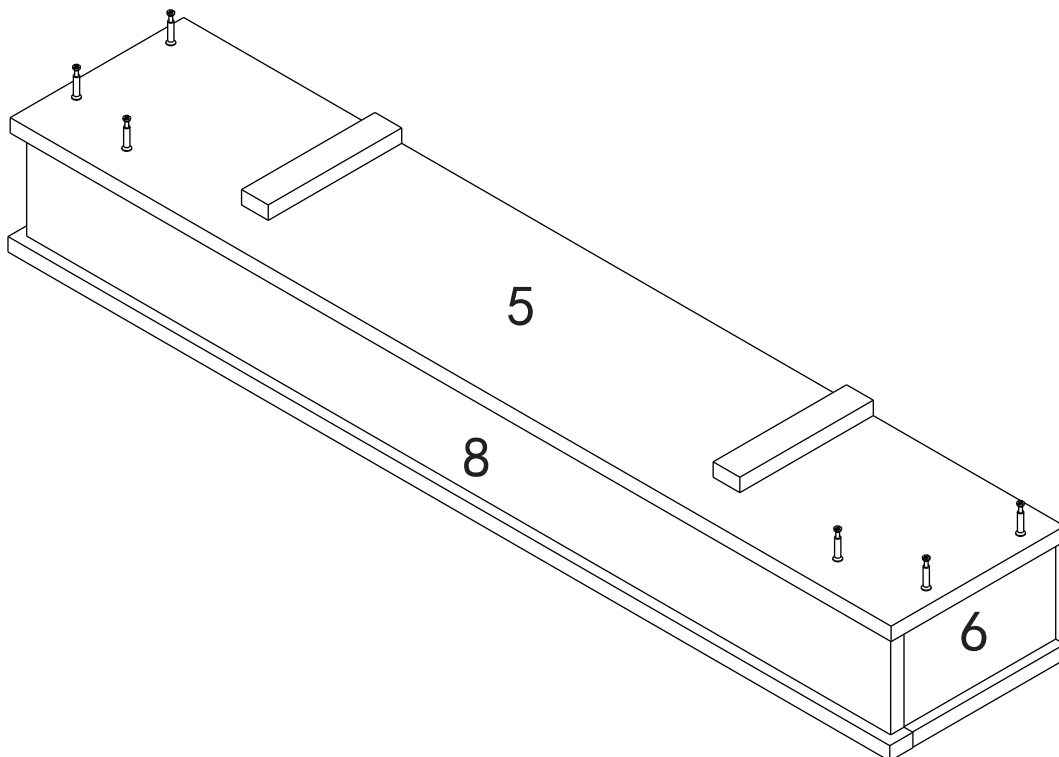
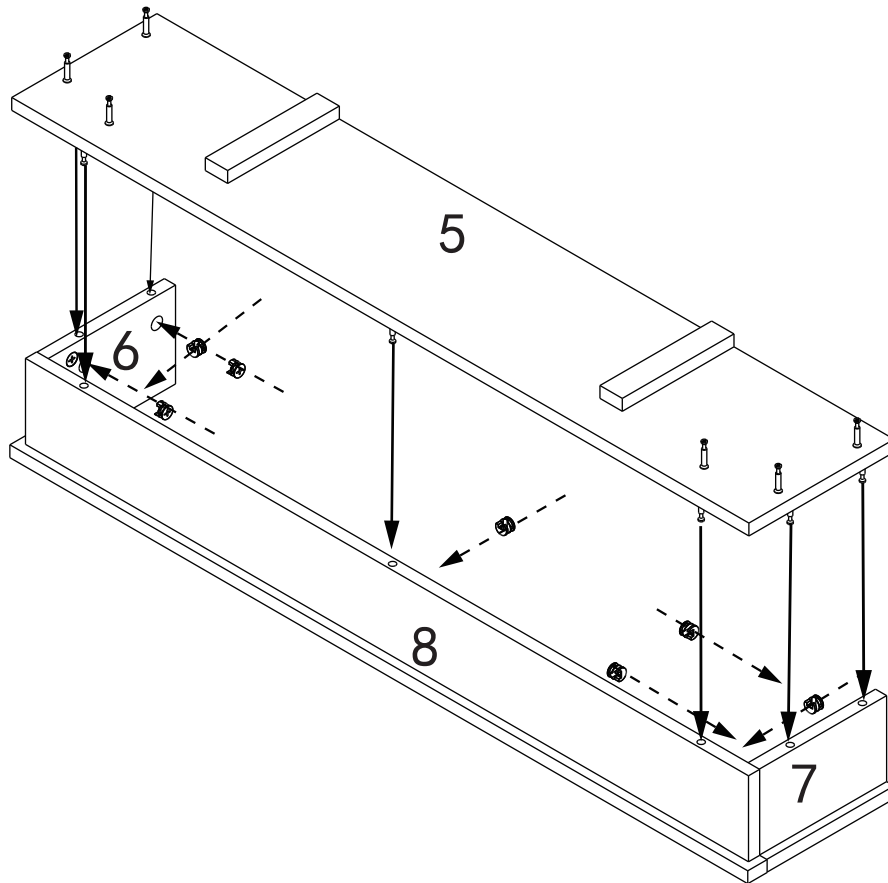
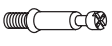



Fig.8

- A  3
- B  3

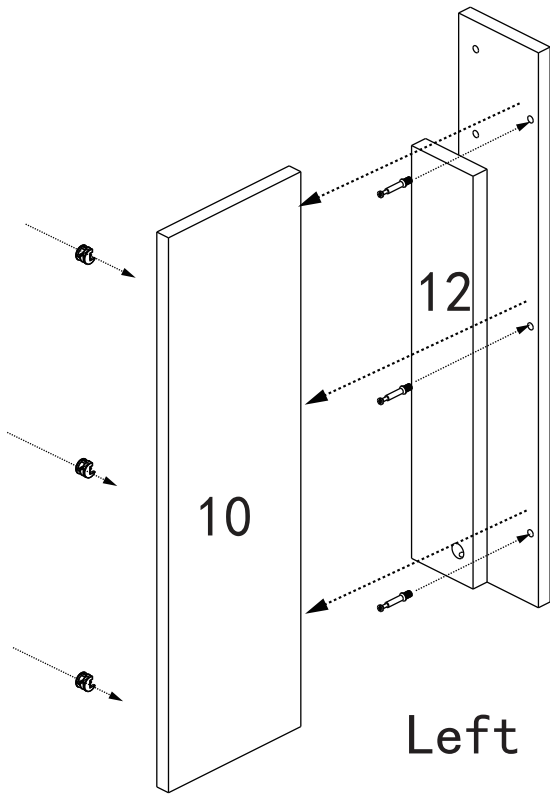
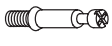



Fig.9

- A  3
- B  3

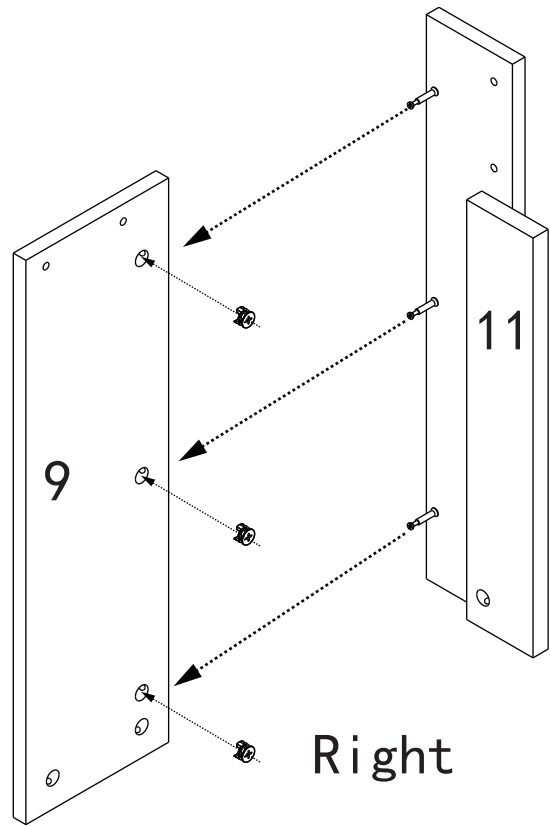


Fig.10

- B  6

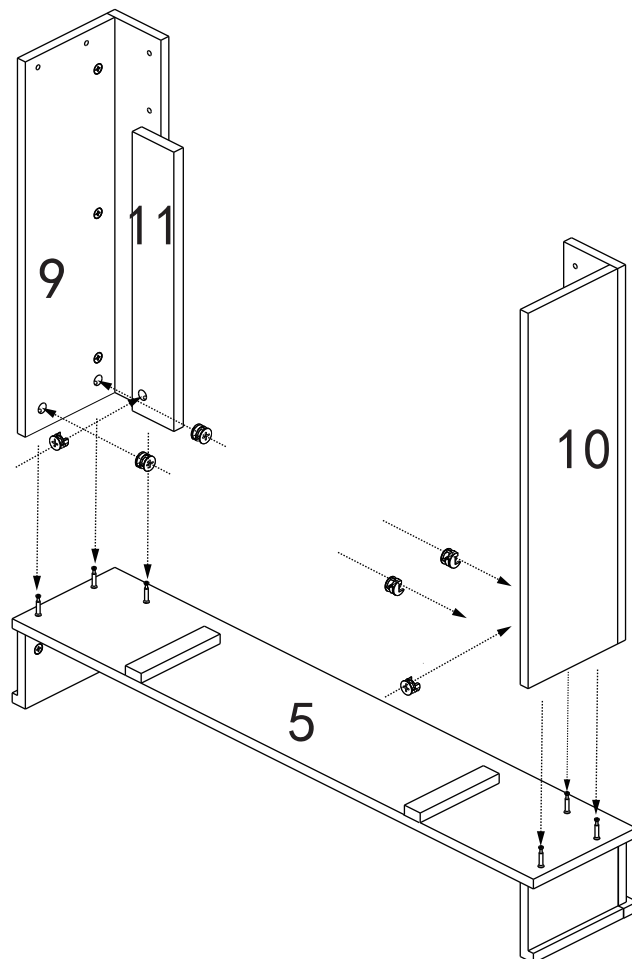
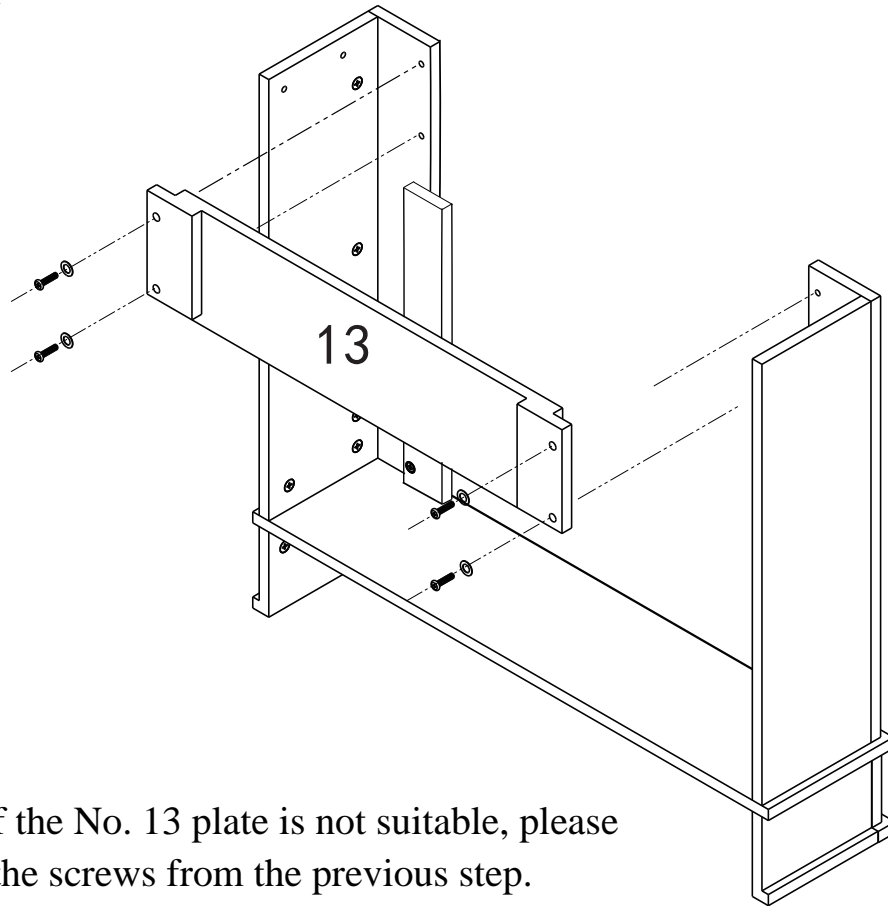
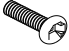



Fig.11



- C  4
- D  4

Note: If the No. 13 plate is not suitable, please loosen the screws from the previous step.

Fig.12

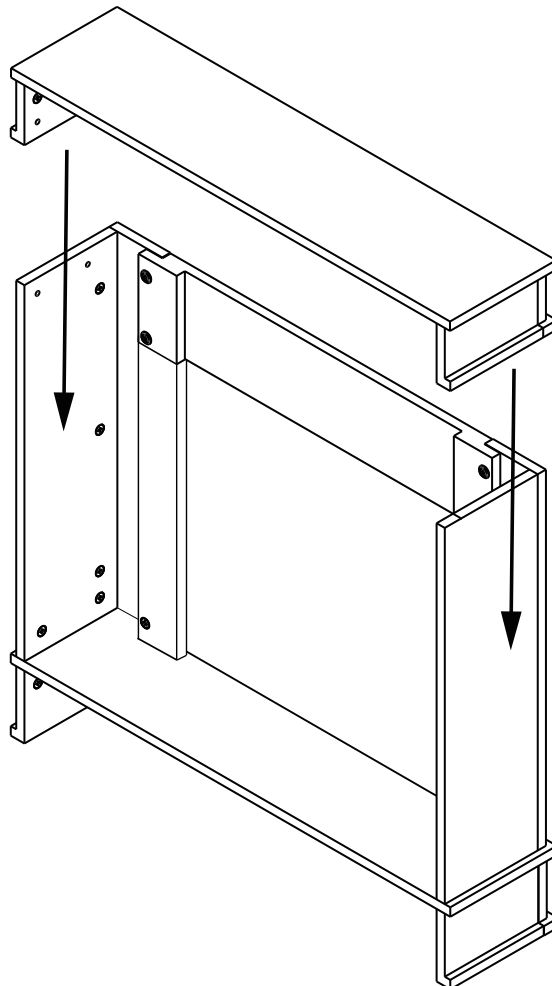
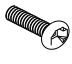



Fig.13

Details A

- C  8
- D  8

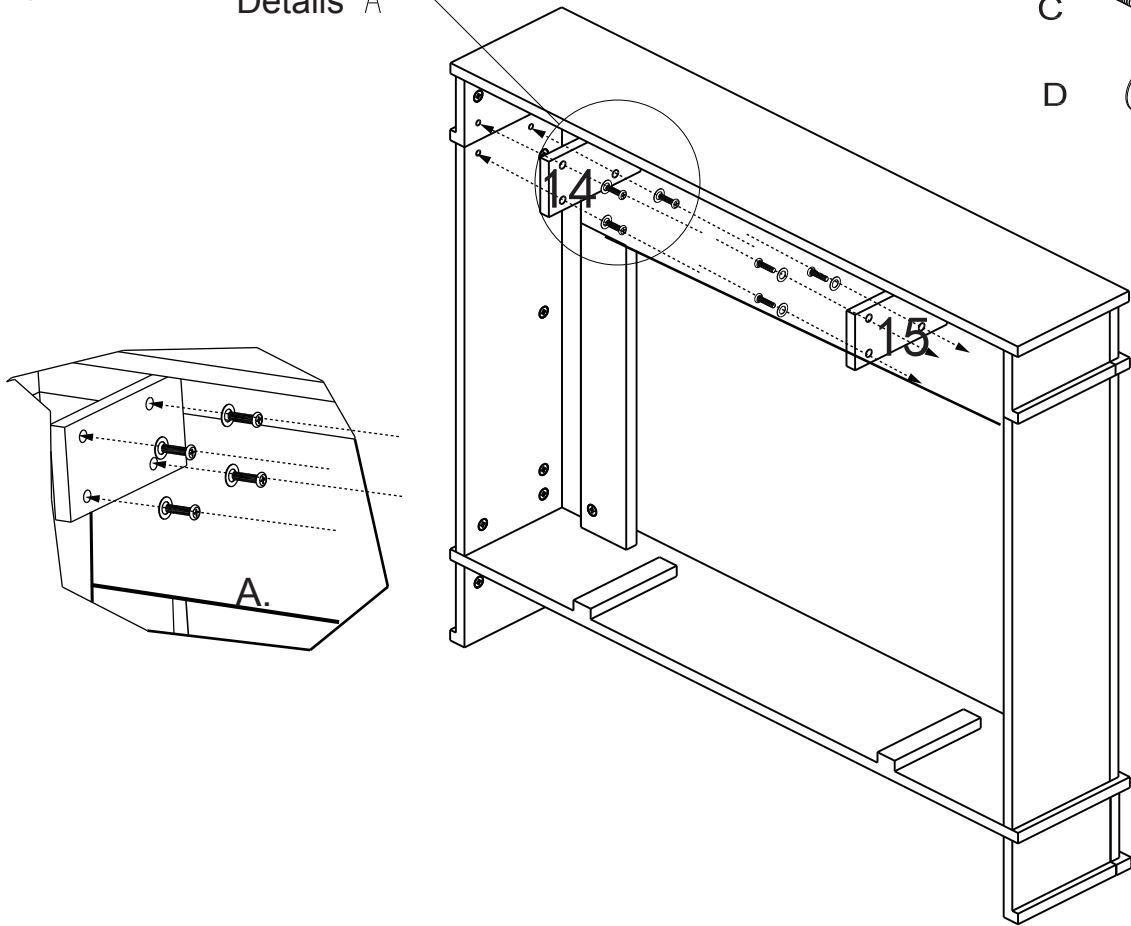


Fig.14

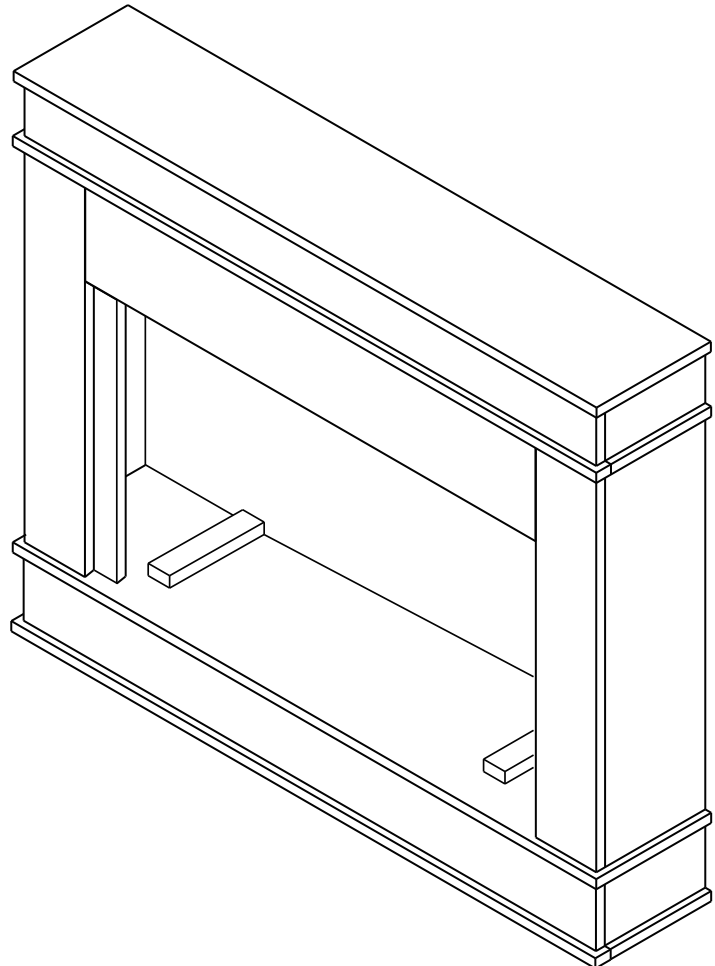
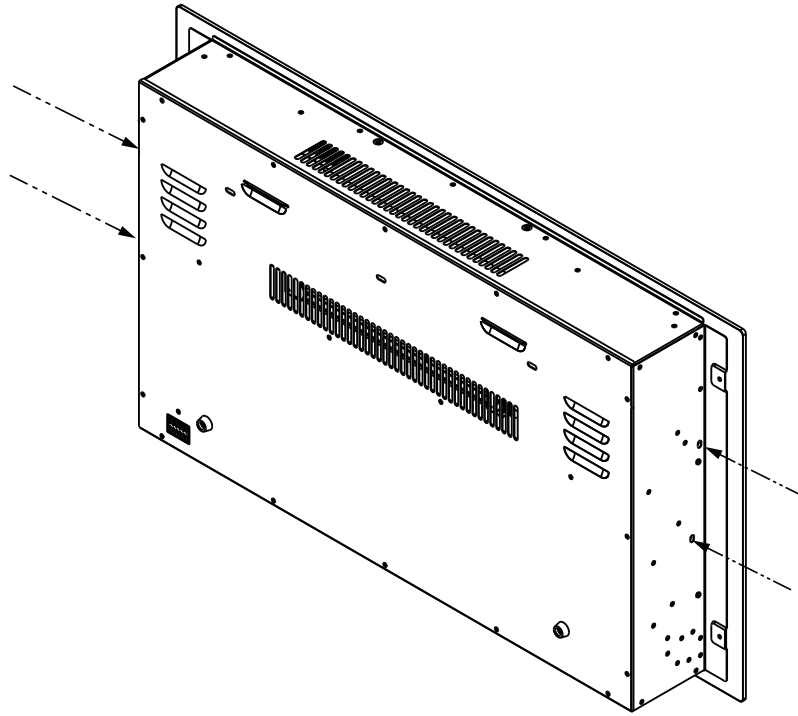


Fig.15



Take off the two screws in both sides of the fireplace

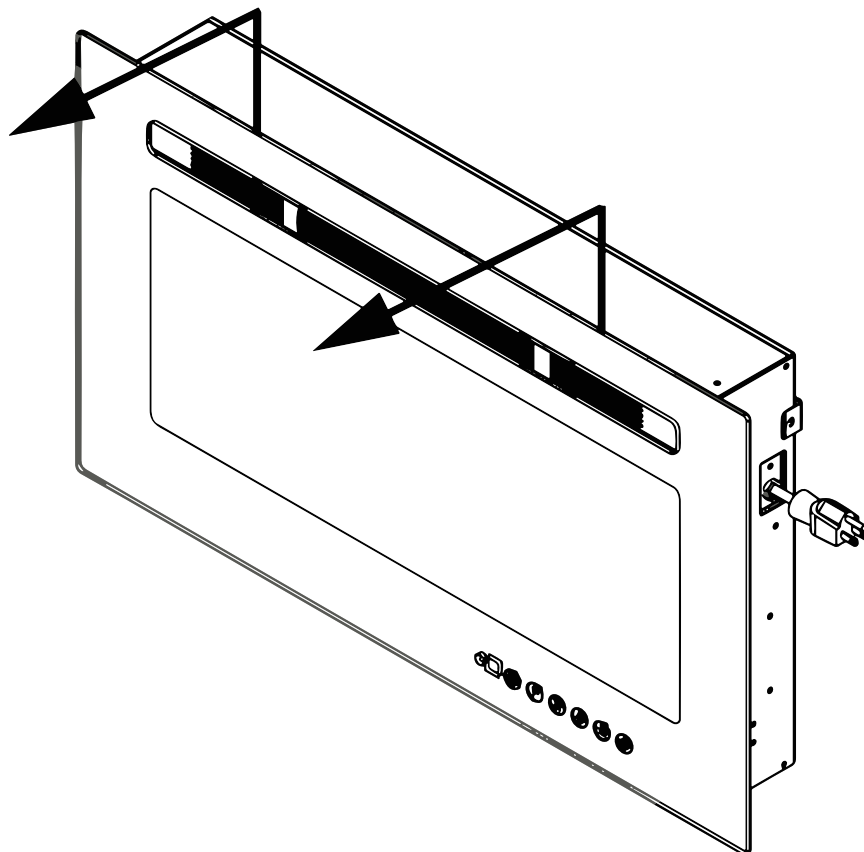


Fig.16

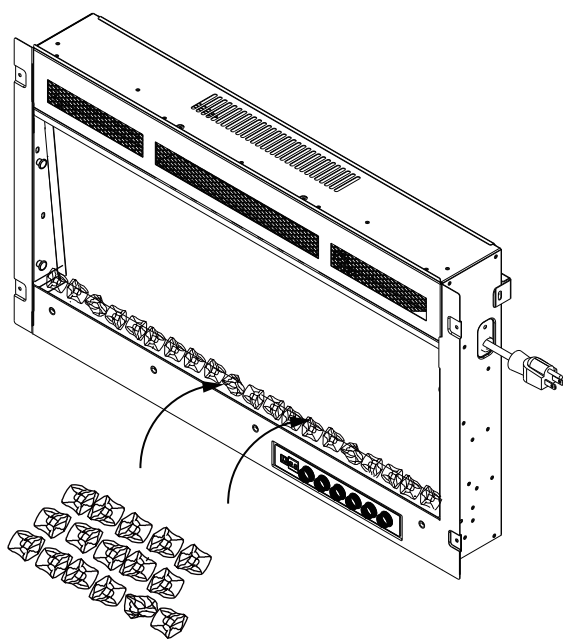
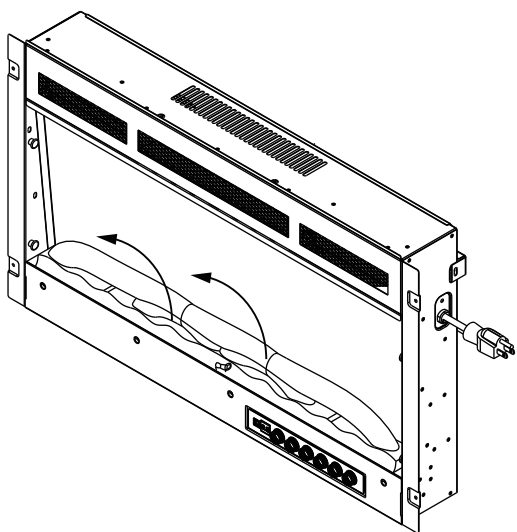
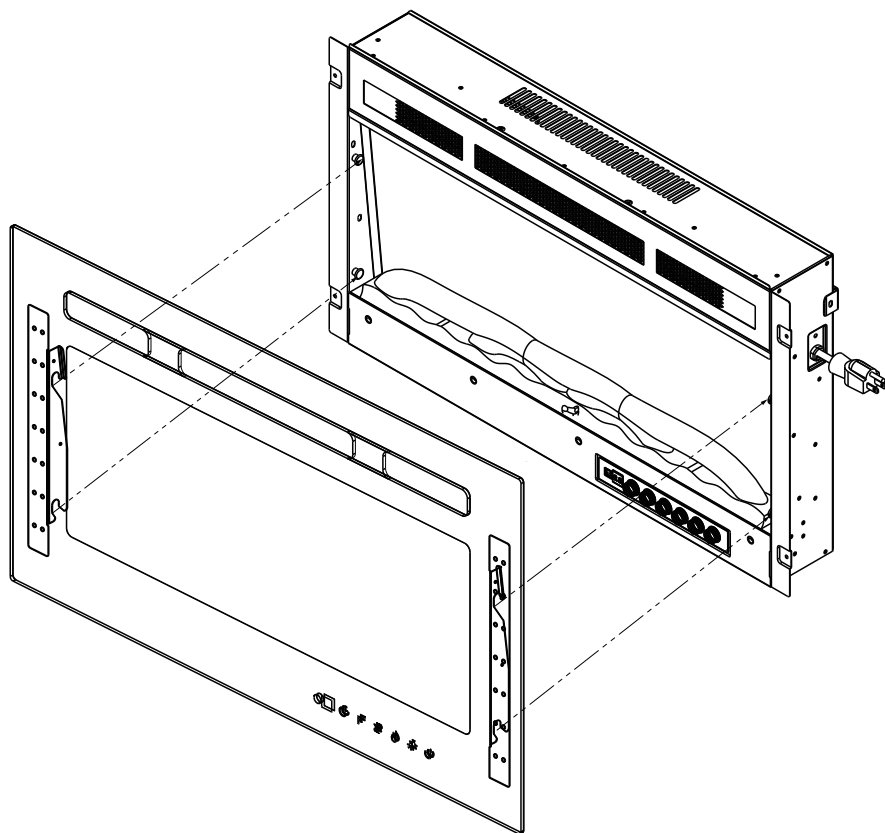
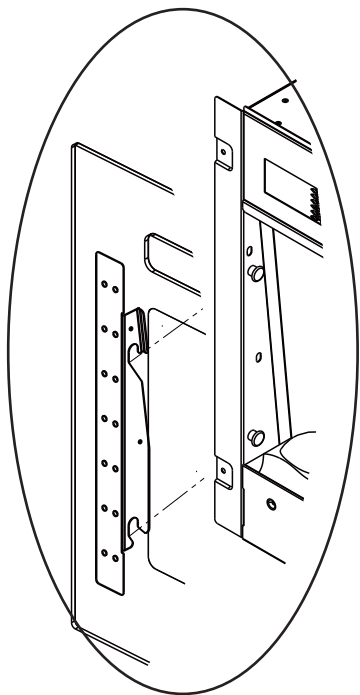


Fig.17

Use the 4 screws
(provided at
fireplace package)
to lock the appliance
into the mantel

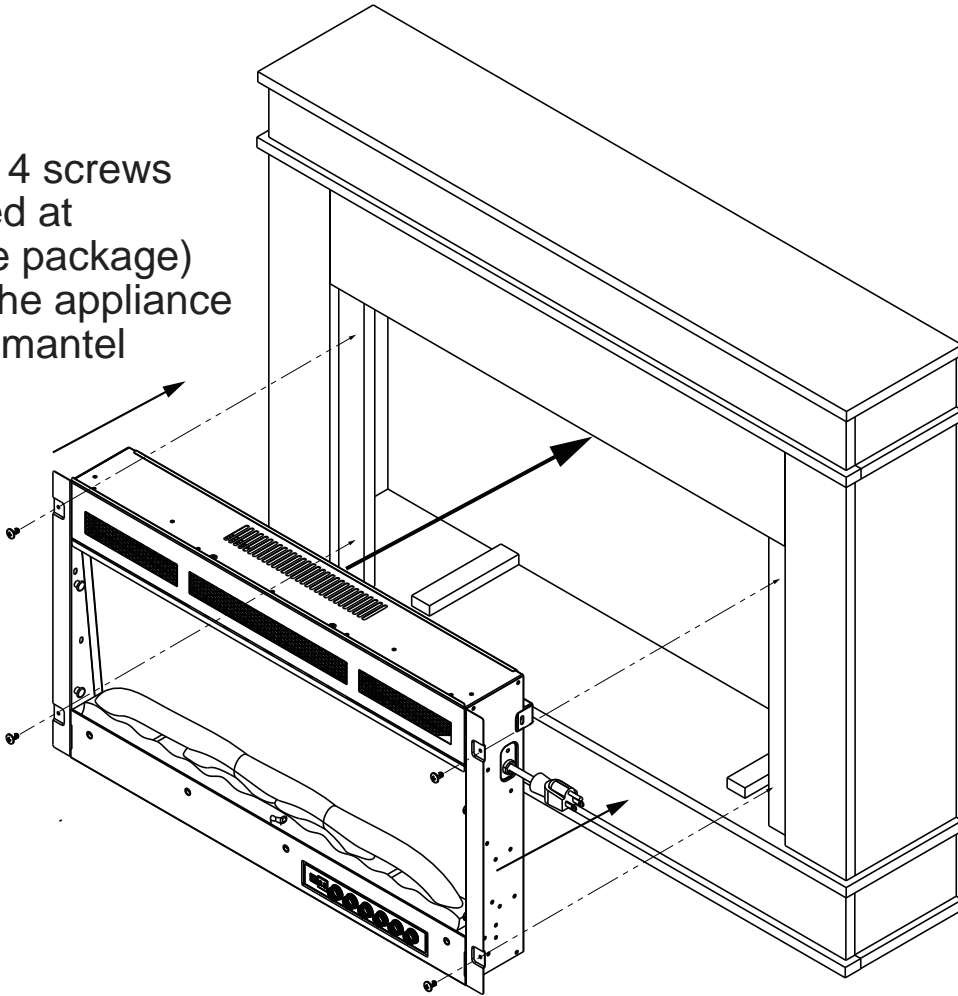
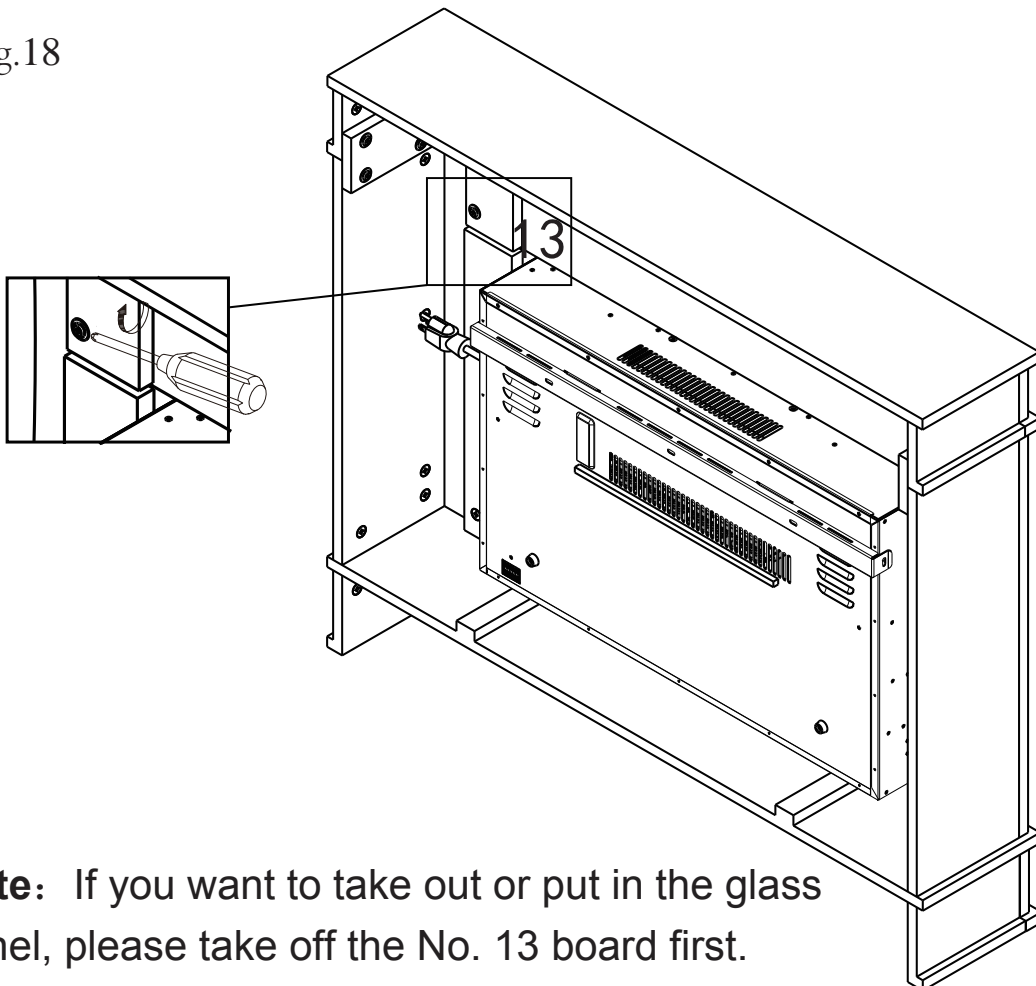


Fig.18



Note: If you want to take out or put in the glass panel, please take off the No. 13 board first.

Fig.19

Take off the No. 13 board

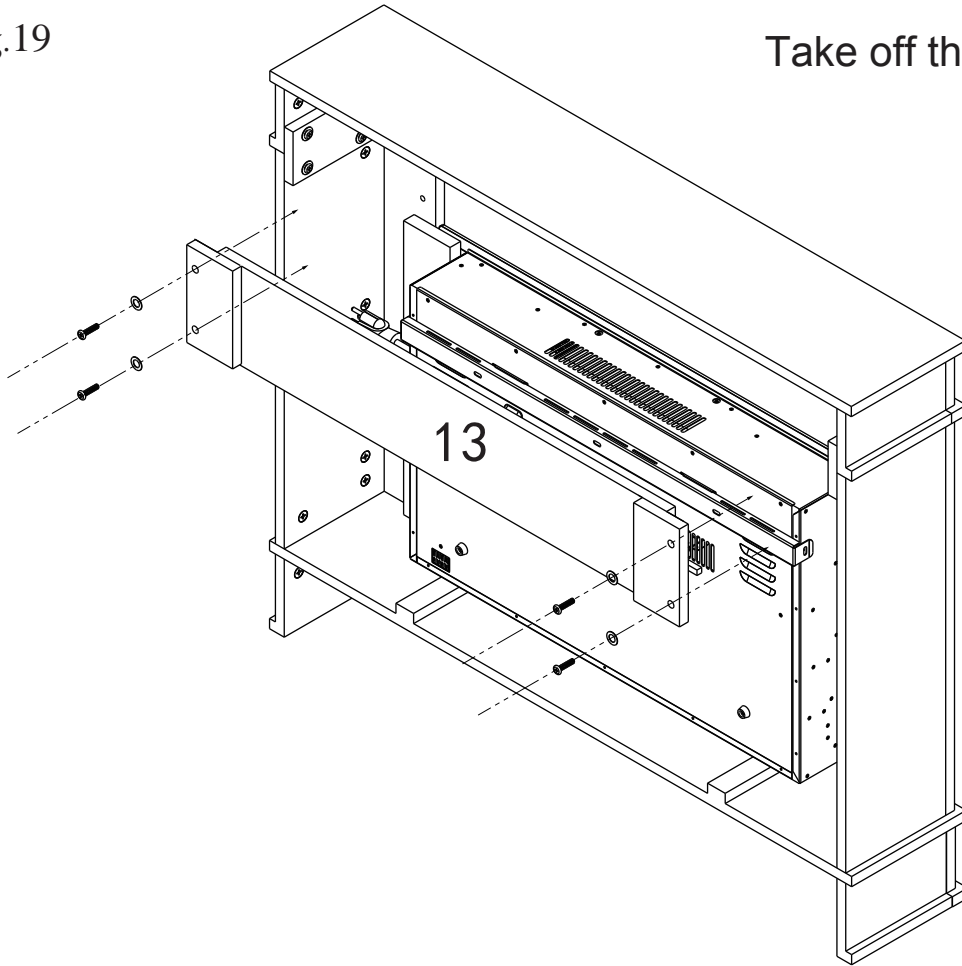


Fig.20

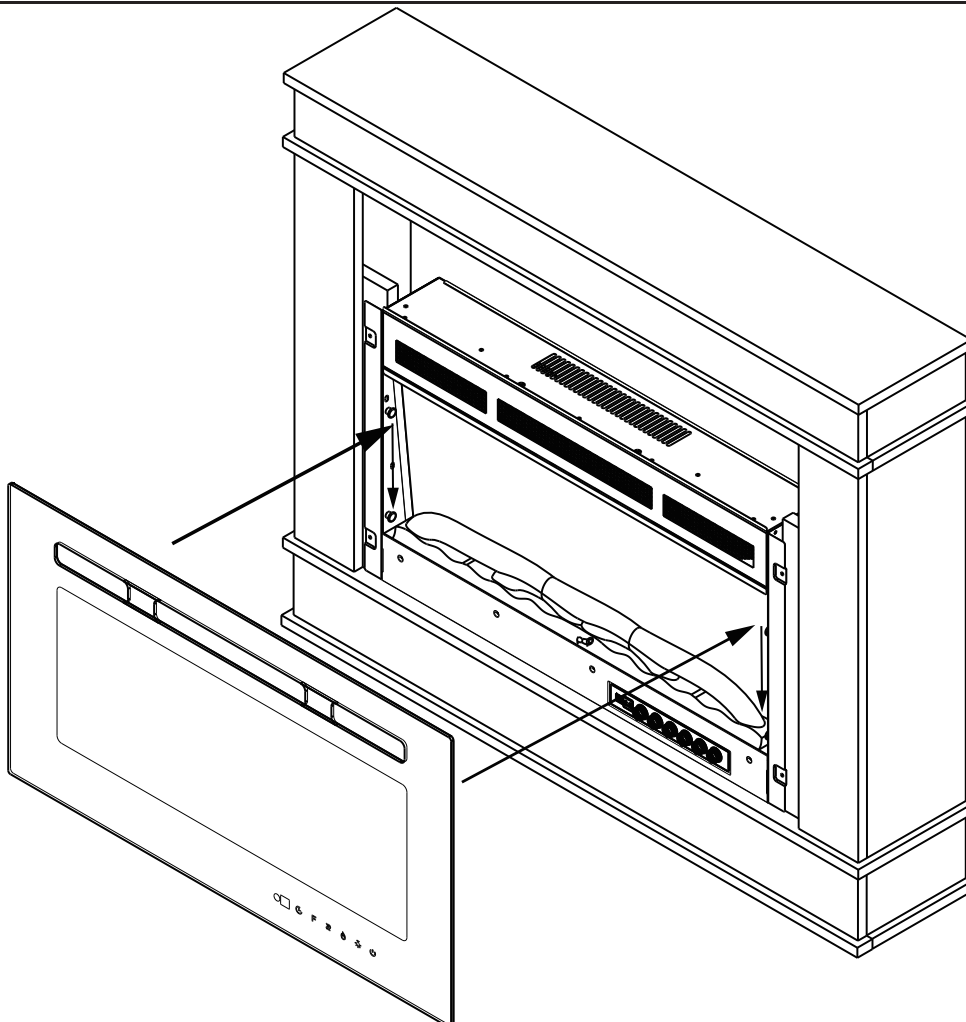
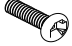

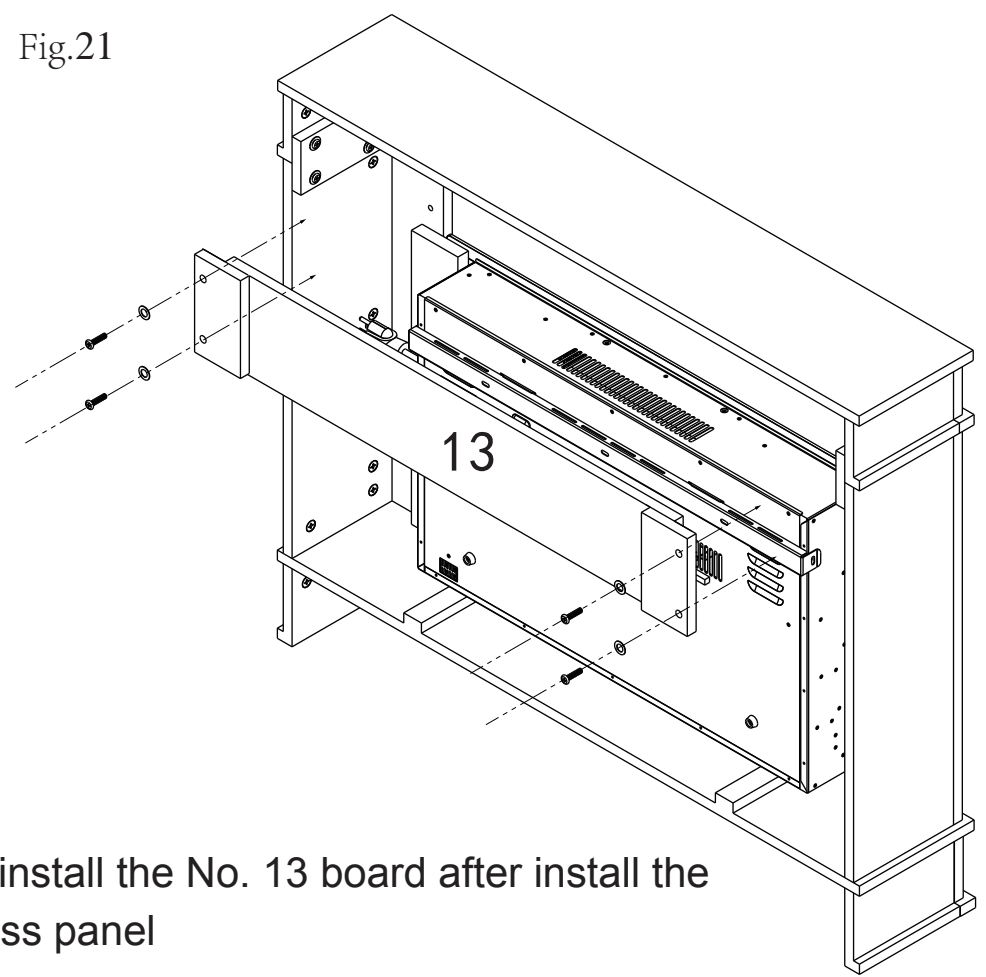
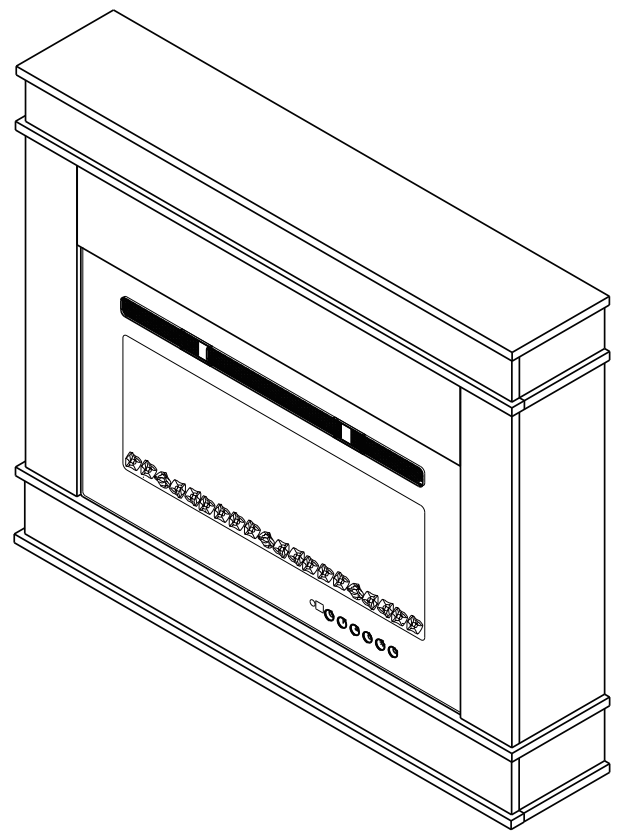
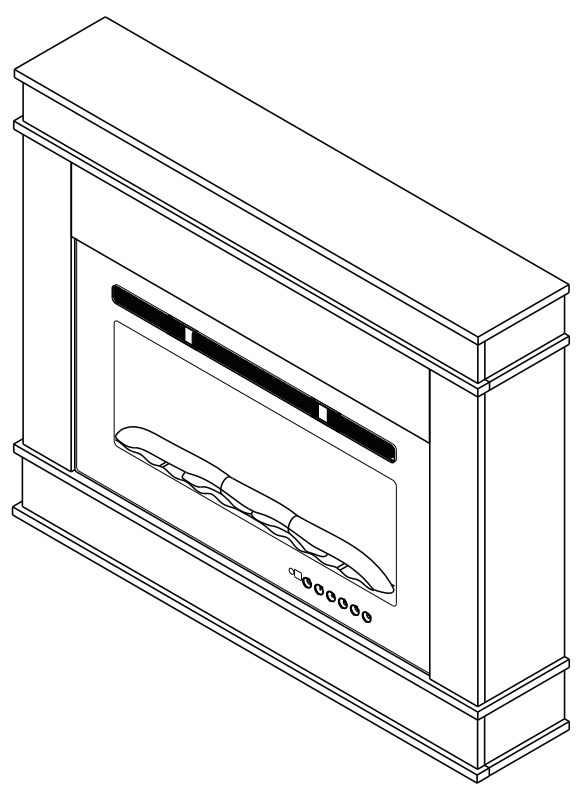


Fig.21

- C  4
- D  4

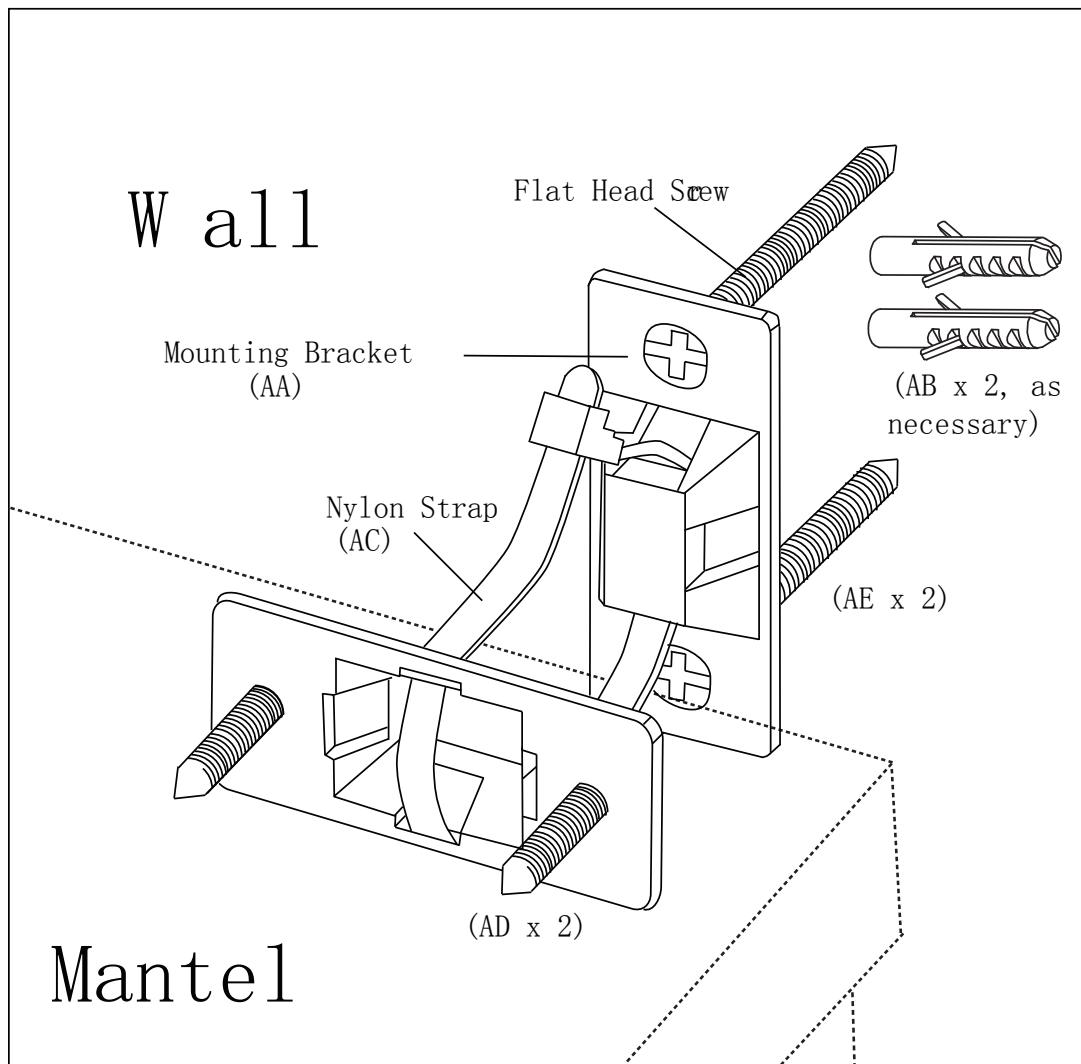


Reinstall the No. 13 board after install the glass panel



Assembly

Anchoring the media console



Care and maintenance



Do not use abrasive or chemical cleaners. Discolouring or damage to finish may result.

Clean media console with a non-abrasive cloth. Clean as often as necessary.

note:

Excessive sun exposure may cause discolouring or fading of media console finish.