

DOWNLIGHT RETROFIT ROUND

BAFFLED

4", 5-6"



5-6"



4"



SPECIFICATIONS

ELECTRICAL

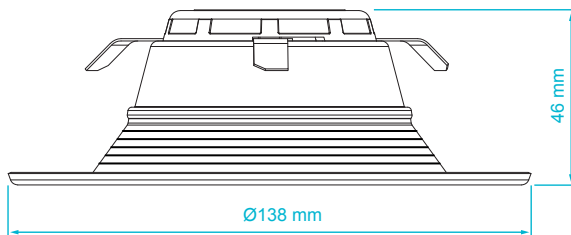
MODEL	DESCRIPTION	POWER	INPUT VOLTS	DIMMABLE	EFFICACY (LPW)	FREQUENCY	LIFETIME	WATT REPLACEMENT
LR24875	LED/DL4/27K/FL/B/RD	10	120	YES	70	50-60Hz	50,000	60
LR24876	LED/DL4/30K/FL/B/RD	10	120	YES	75	50-60Hz	50,000	60
LR24877	LED/DL4/35K/FL/B/RD	10	120	YES	75	50-60Hz	50,000	60
LR24878	LED/DL4/40K/FL/B/RD	10	120	YES	80	50-60Hz	50,000	60
LR24879	LED/DL4/50K/FL/B/RD	10	120	YES	53	50-60Hz	50,000	60
LR24885	LED/DL5-6/27K/FL/B/RD	15	120	YES	80	60Hz	50,000	120
LR24886	LED/DL5-6/30K/FL/B/RD	15	120	YES	83	60Hz	50,000	120
LR24887	LED/DL5-6/35K/FL/B/RD	15	120	YES	87	60Hz	50,000	120
LR24888	LED/DL5-6/40K/FL/B/RD	15	120	YES	90	60Hz	50,000	120
LR24889	LED/DL5-6/50K/FL/B/RD	15	120	YES	90	60Hz	50,000	120

PHOTOMETRIC

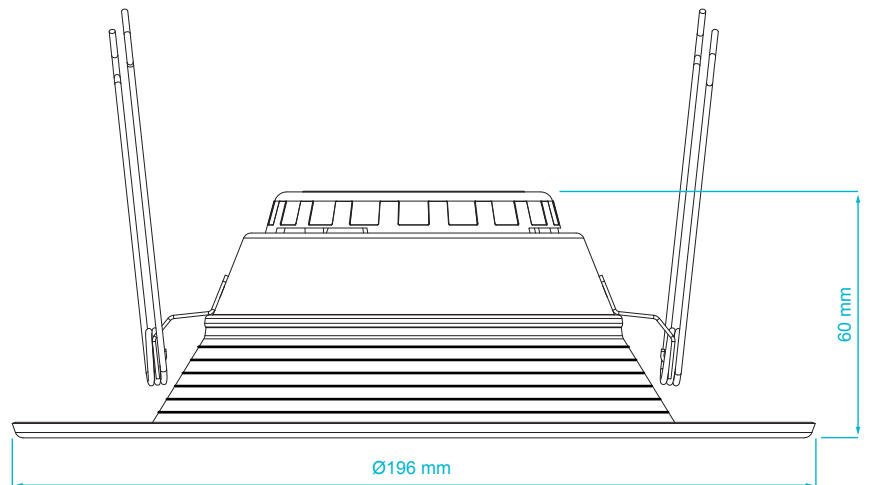
MODEL	COLOR (CCT)	TEMP	LUMEN	FLOOD	CRI	CASE	COST/YR	BASE TYPE	FINISH
LR24875	2700K	WARM WHITE	700	90°	80	12	\$ 1.20	E26 ADAPTER	BAFFLED TRIM
LR24876	3000K	SOFT WHITE	750	90°	80	12	\$ 1.20	E26 ADAPTER	BAFFLED TRIM
LR24877	3500K	NATURAL	750	90°	80	12	\$ 1.20	E26 ADAPTER	BAFFLED TRIM
LR24878	4000K	COOL WHITE	800	90°	80	12	\$ 1.20	E26 ADAPTER	BAFFLED TRIM
LR24879	5000K	BRIGHT WHITE	800	90°	80	12	\$ 1.20	E26 ADAPTER	BAFFLED TRIM
LR24885	2700K	WARM WHITE	1200	100°	80	12	\$ 1.81	E26 ADAPTER	BAFFLED TRIM
LR24886	3000K	SOFT WHITE	1250	100°	80	12	\$ 1.81	E26 ADAPTER	BAFFLED TRIM
LR24887	3500K	NATURAL	1300	100°	80	12	\$ 1.81	E26 ADAPTER	BAFFLED TRIM
LR24888	4000K	COOL WHITE	1350	100°	80	12	\$ 1.81	E26 ADAPTER	BAFFLED TRIM
LR24889	5000K	BRIGHT WHITE	1350	100°	80	12	\$ 1.81	E26 ADAPTER	BAFFLED TRIM

GENERAL

DIAGRAM



4" DOB DOWNLIGHT



5-6" DOB DOWNLIGHT