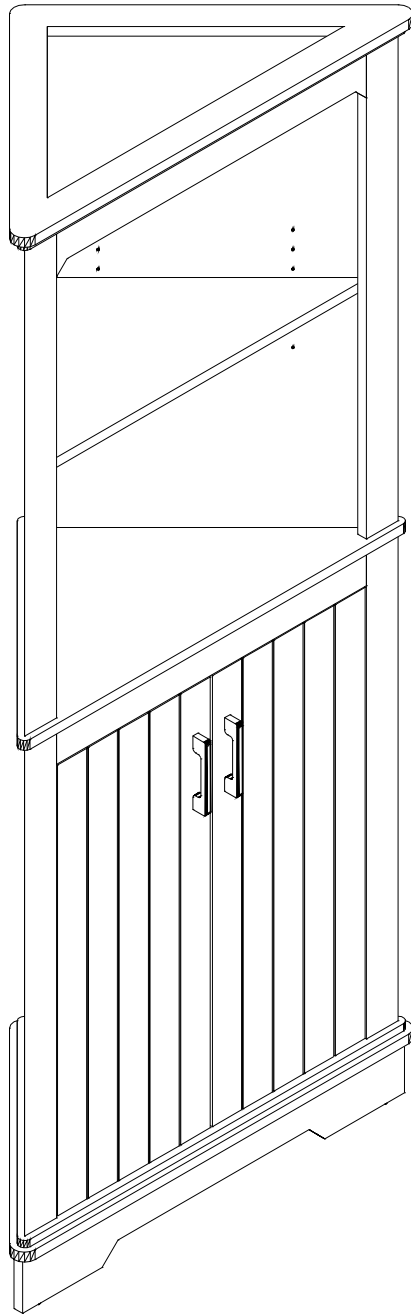
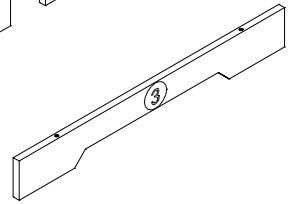
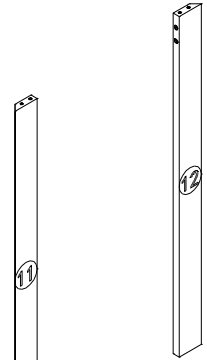
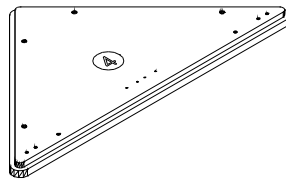
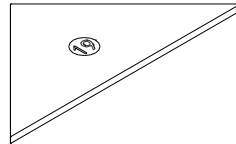
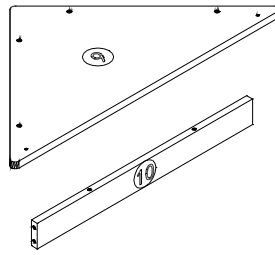
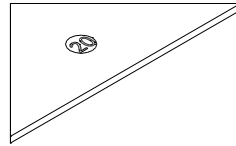
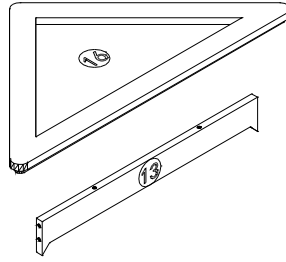
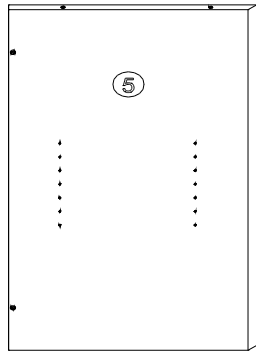
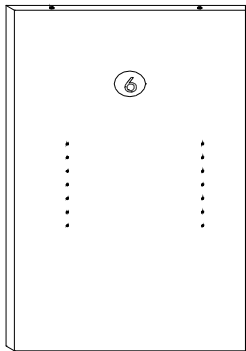
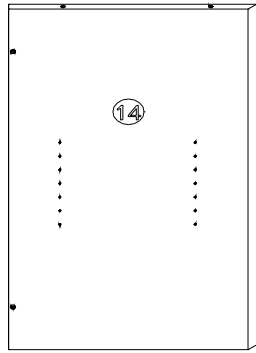
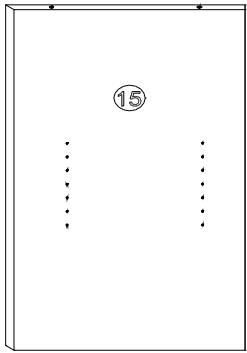


Assembly Instructions

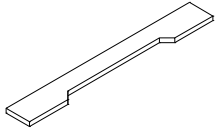




Component List

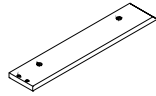
①

x1



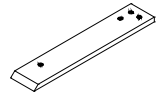
②

x1



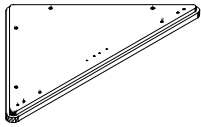
③

x1



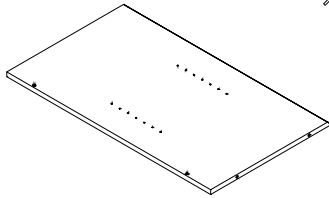
④

x1



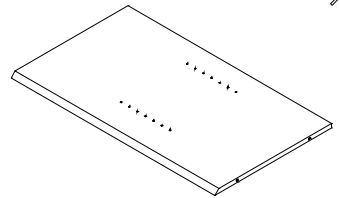
⑤

x2



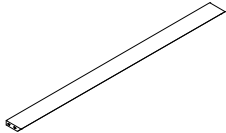
⑥

x2



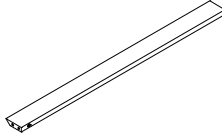
⑦

x2



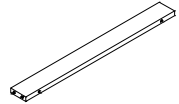
⑧

x2



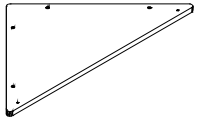
⑨

x1



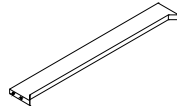
⑩

x1



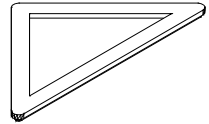
⑪

x1



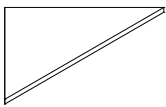
⑫

x1



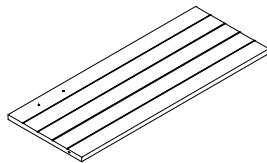
⑬

x2

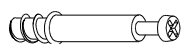


⑭

x2



×40



(A)

6*33mm

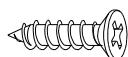
×40



(B)

ø5*10mm

×4



(C)

ø4*12mm

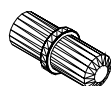
×6



(D)

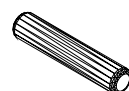
ø10mm

×8



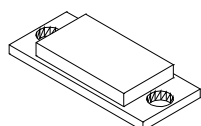
(E)

×12



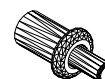
(F)

×2



(G)

×4



(H)

×2



(I)

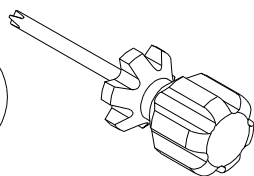
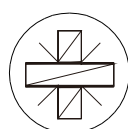
×4



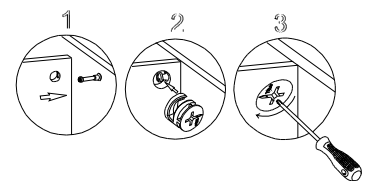
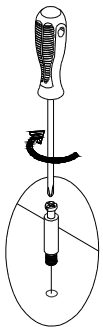
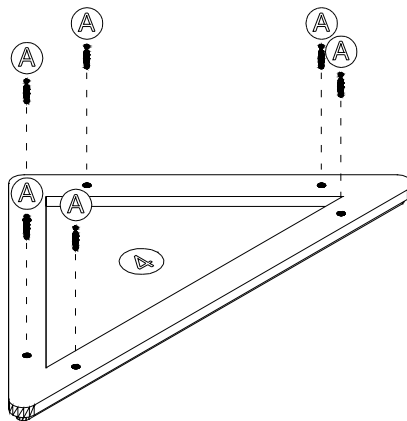
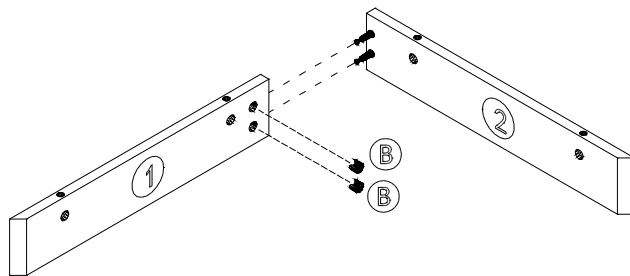
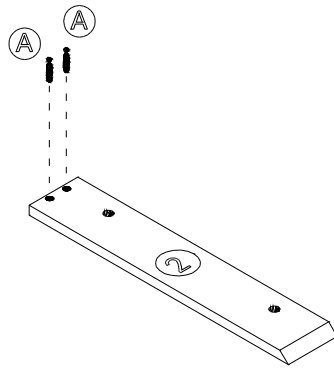
(J)

ø4*20mm

×1



(K)



A

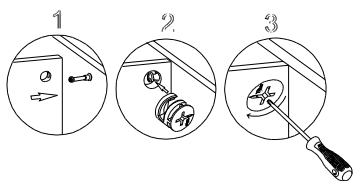
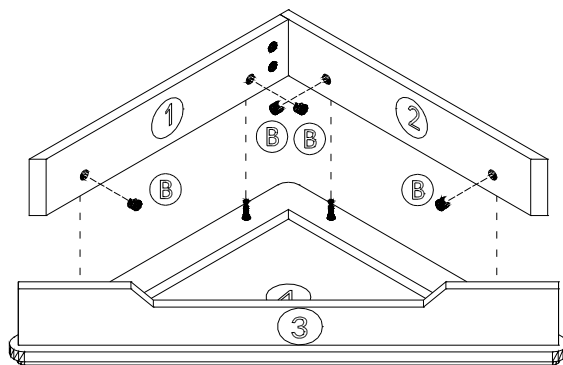
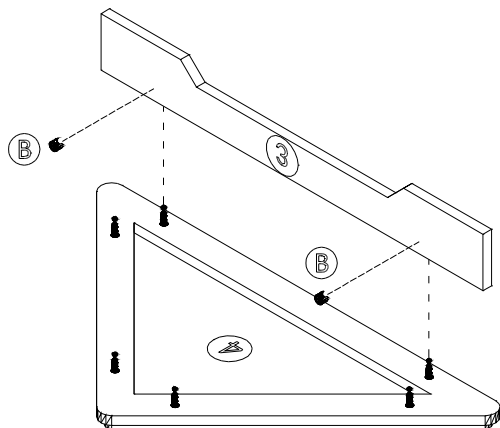


[× 8]

B



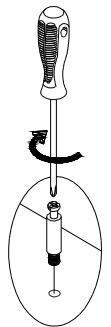
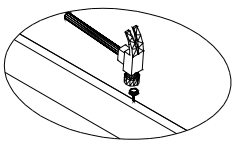
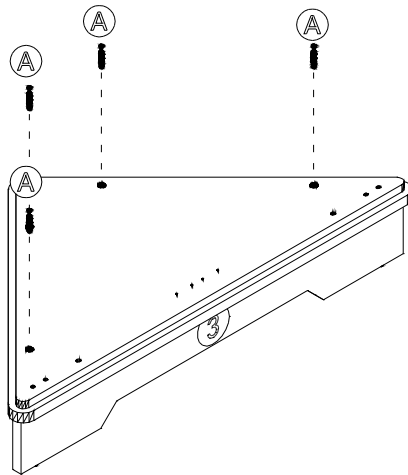
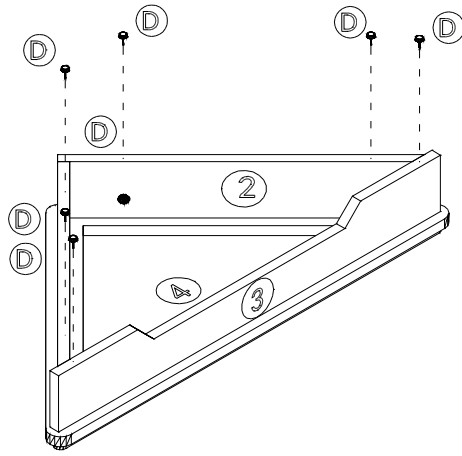
[× 2]



(B)



[X6]

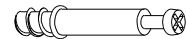


D

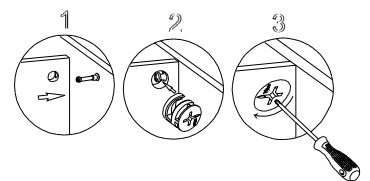
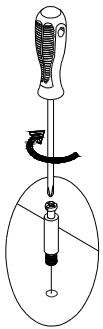
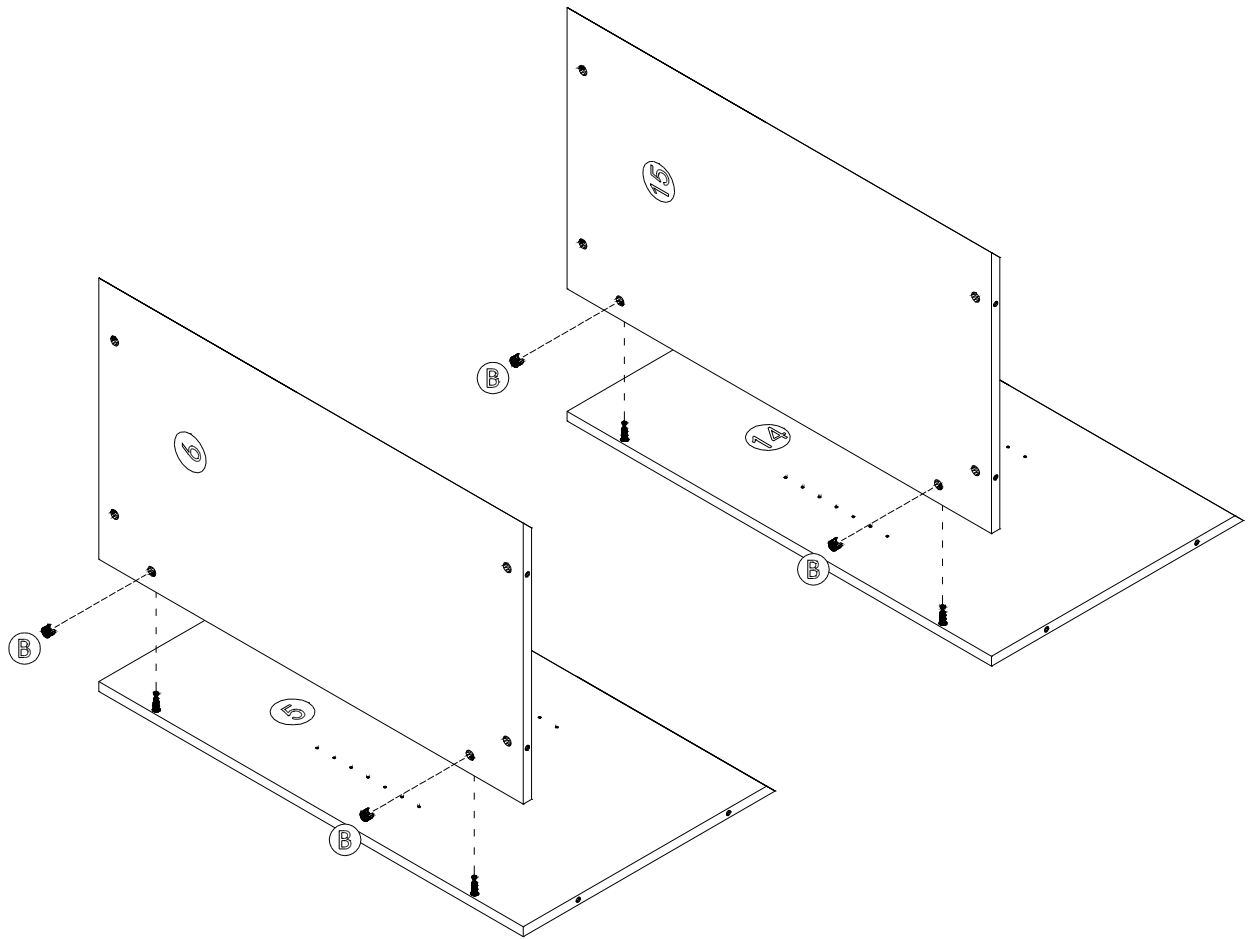
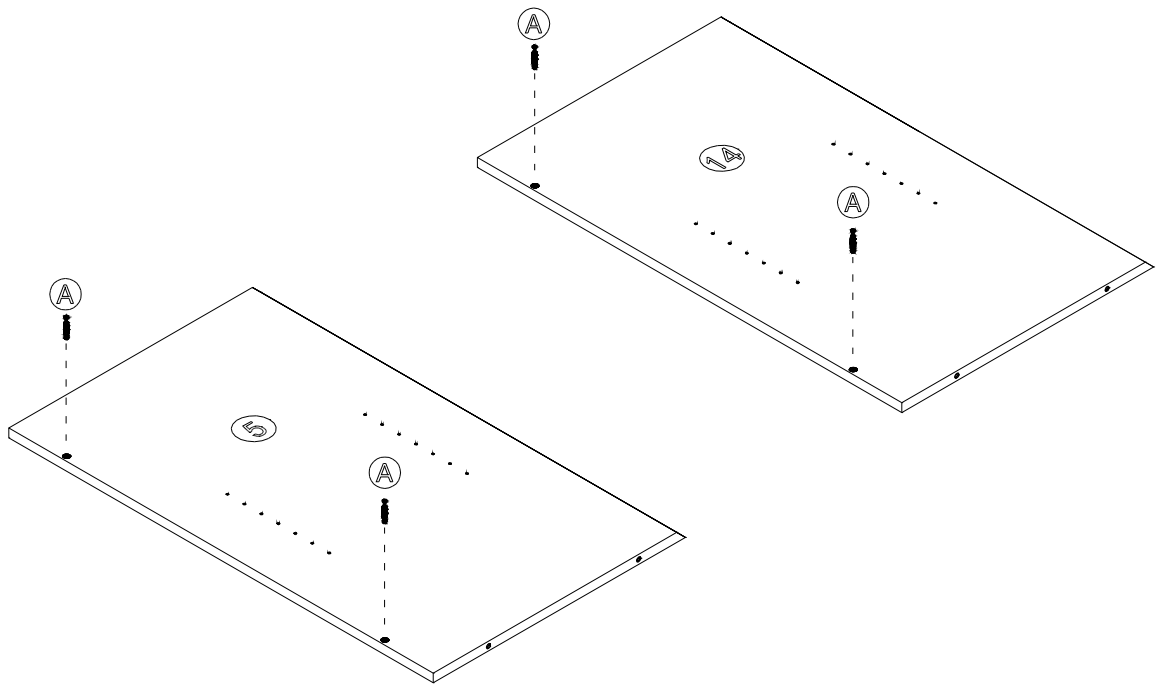


[× 6]

A



[× 4]



(A)

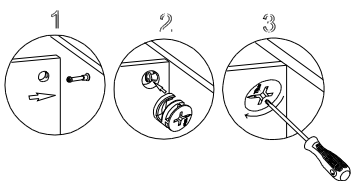
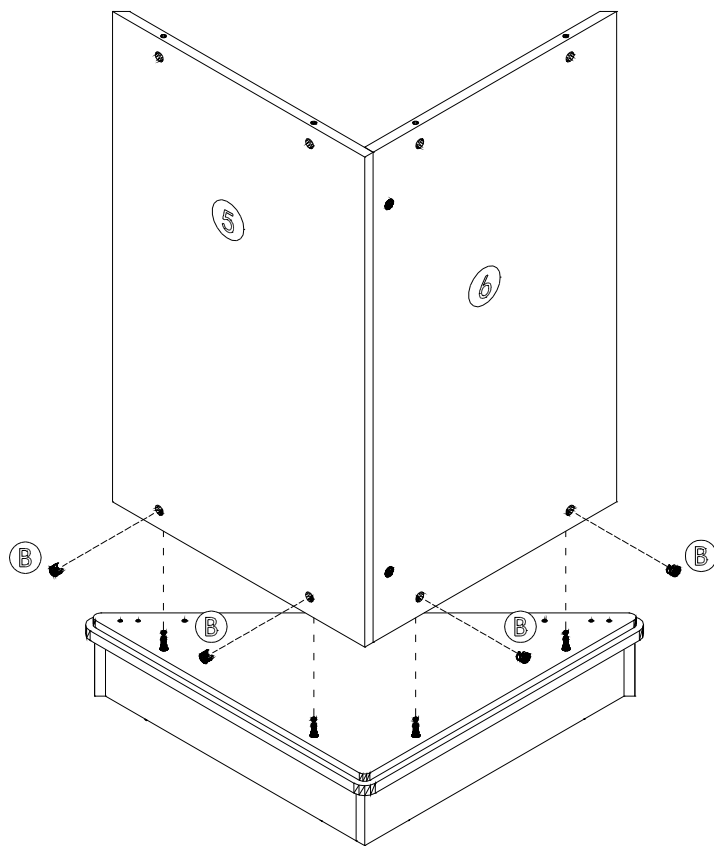


[×4]

(B)



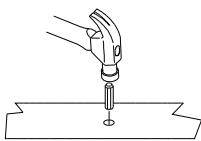
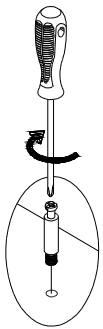
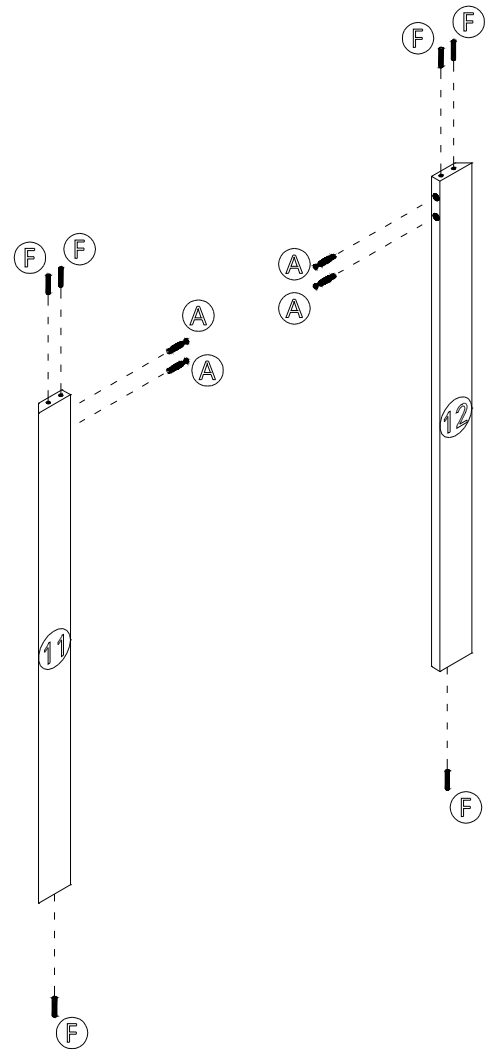
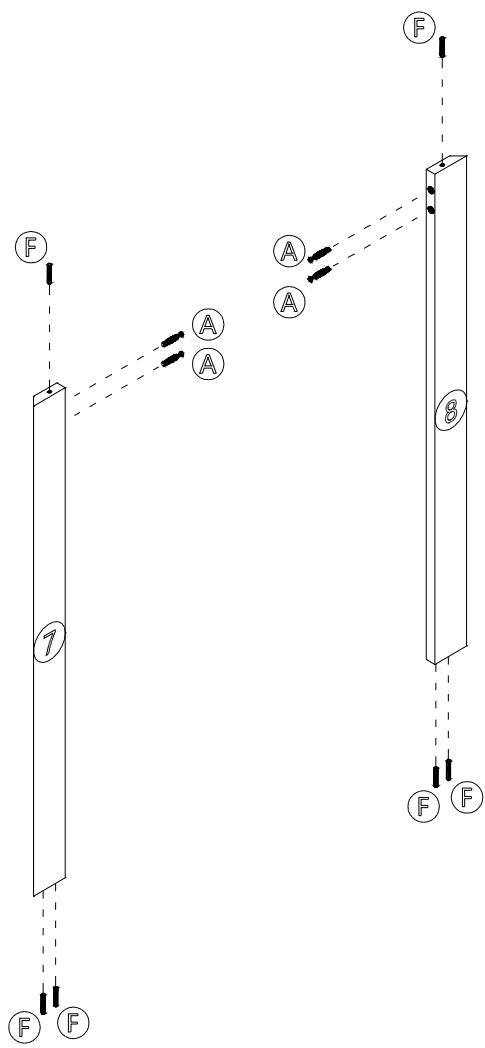
[×4]



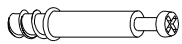
(B)



[X4]

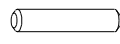


(A)

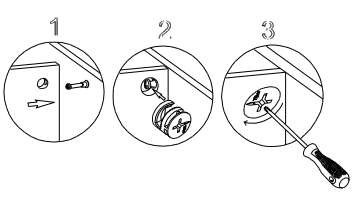
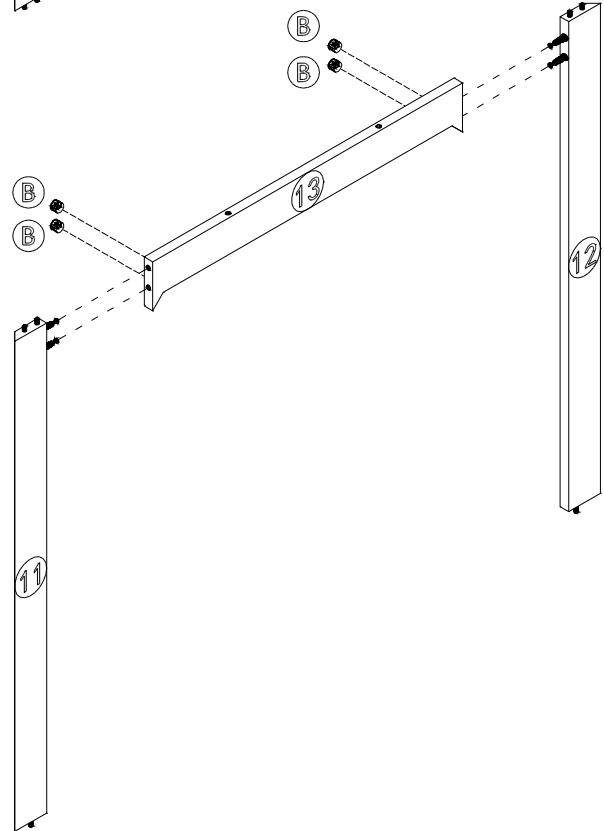
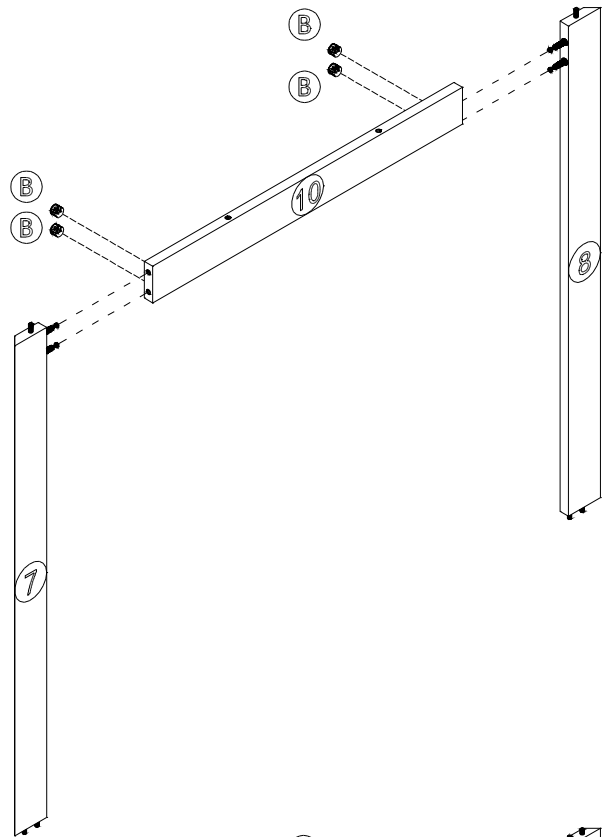


[× 8]

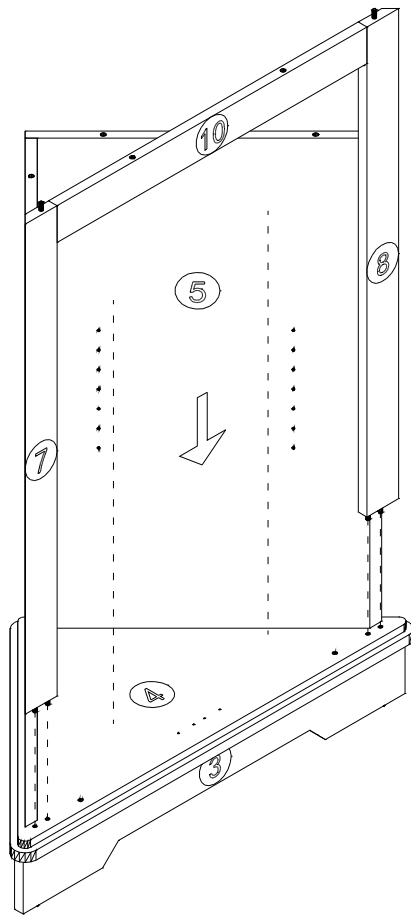
()

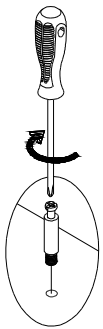
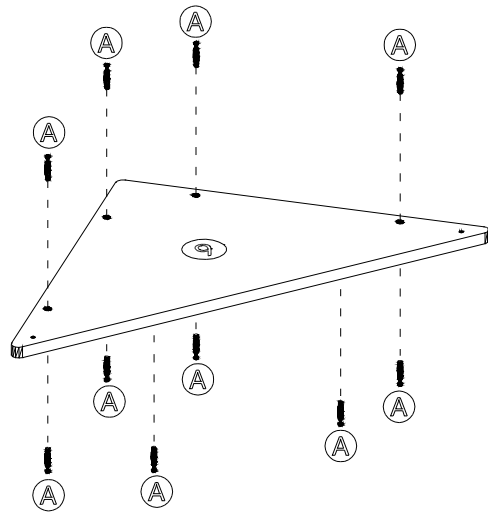


[× 12]



(B)  [X8]

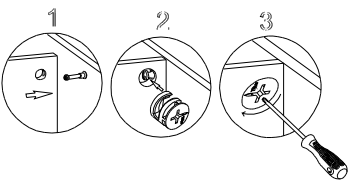
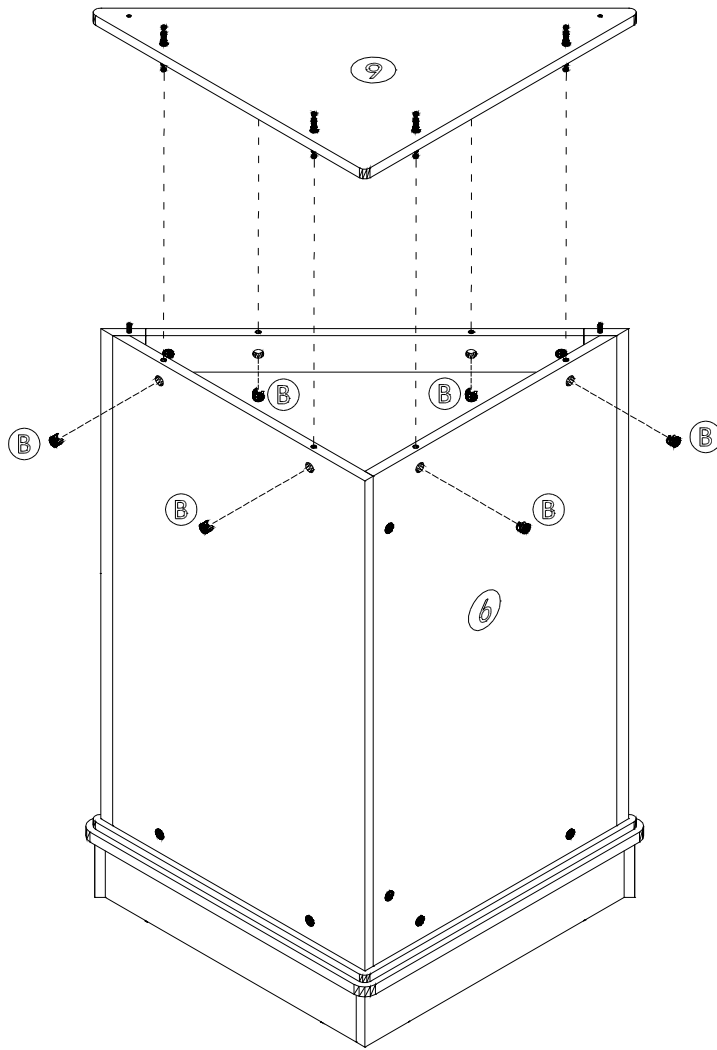




A



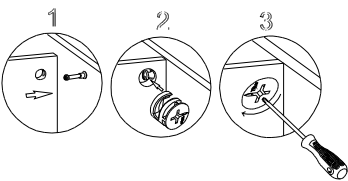
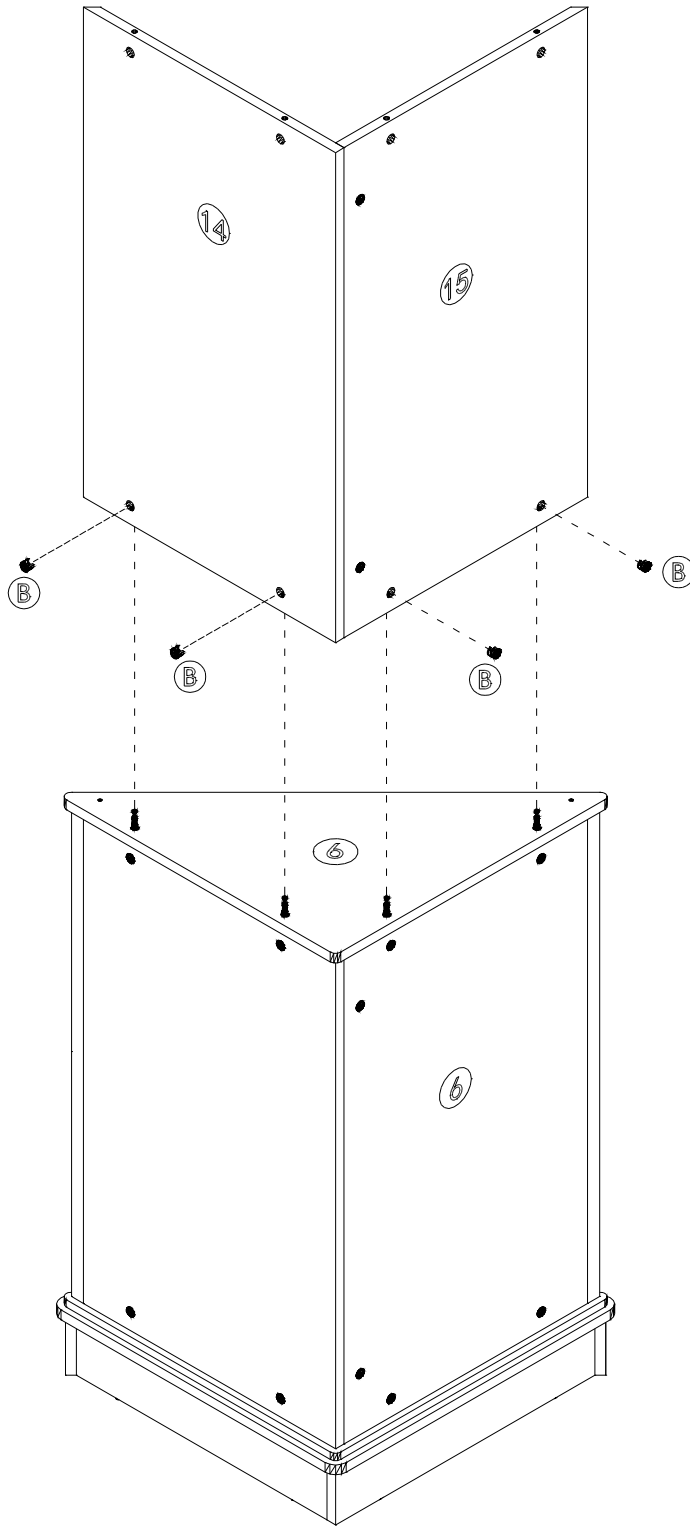
[× 10]



(B)



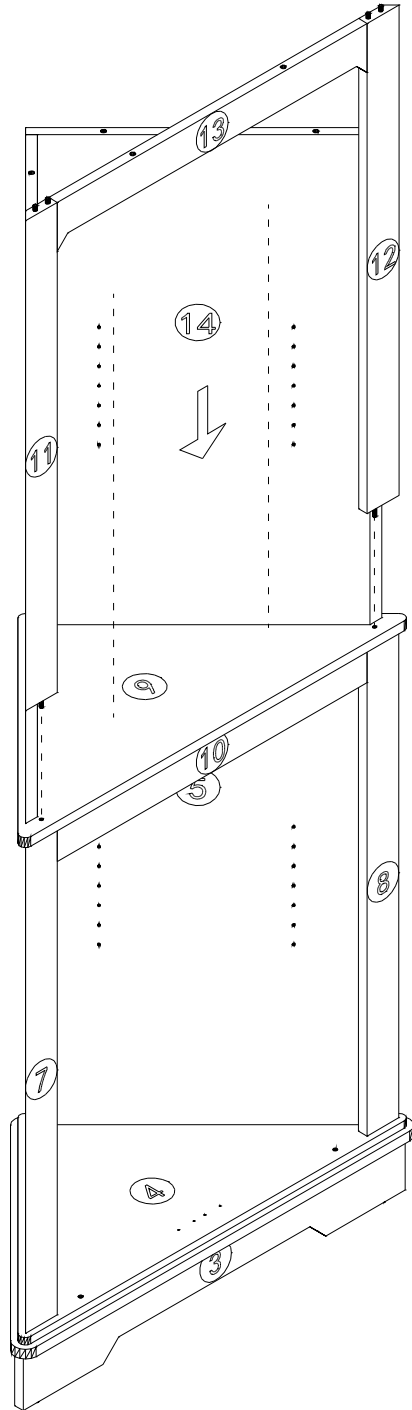
[X6]

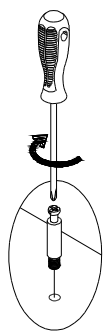
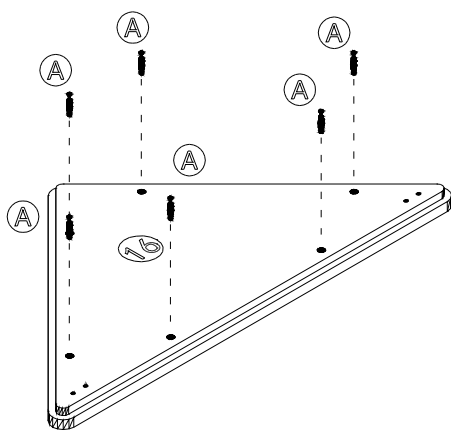


(B)

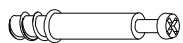


[X4]

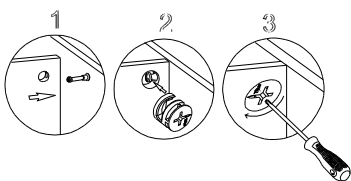
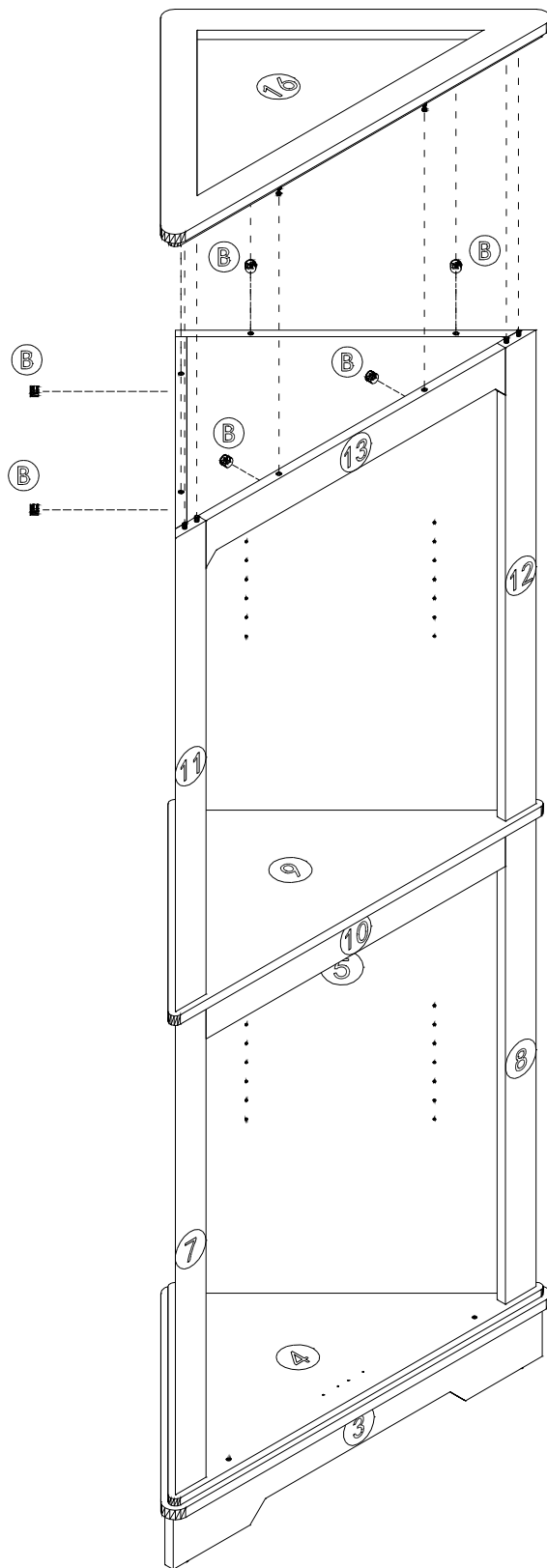




A



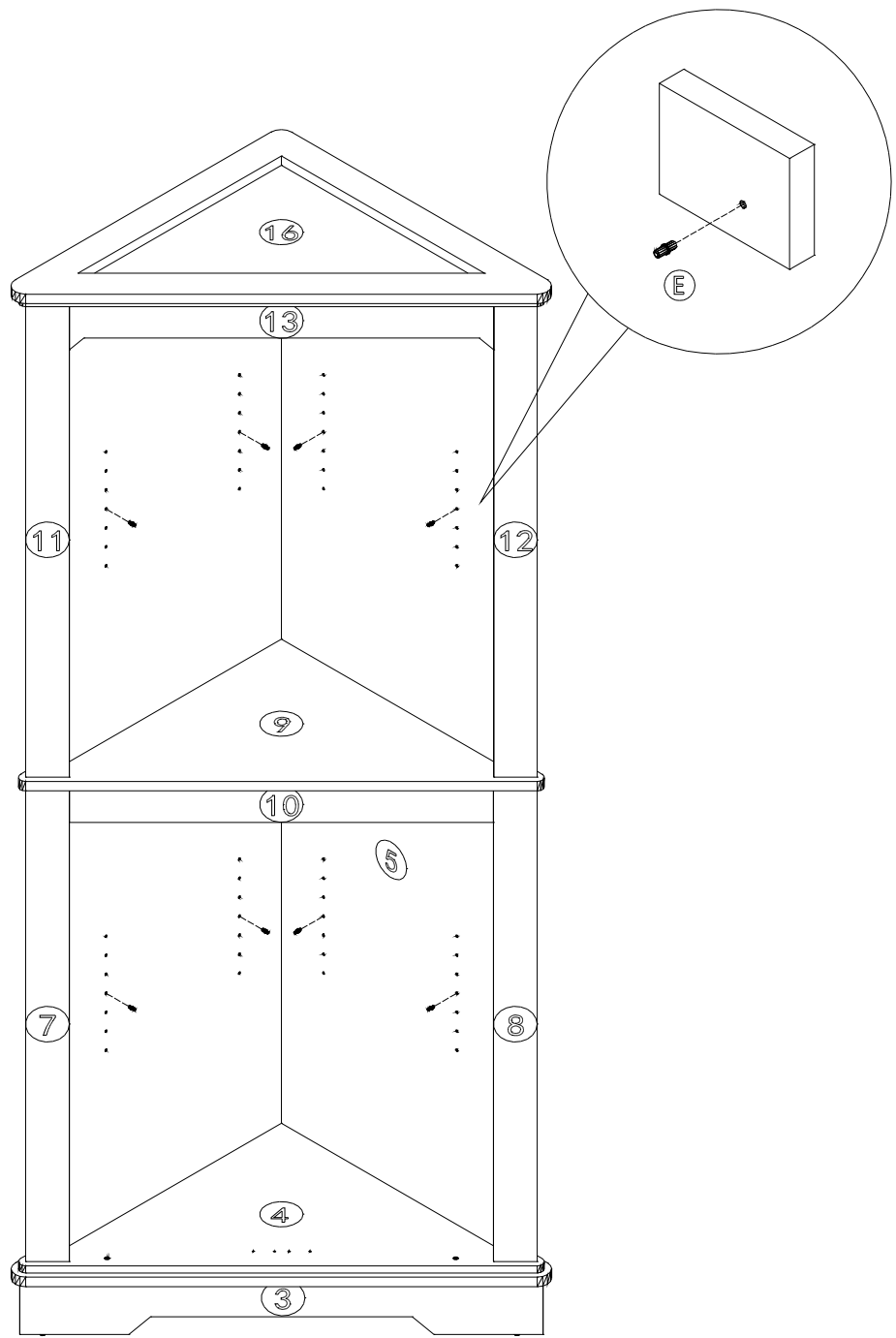
[× 6]



(B)



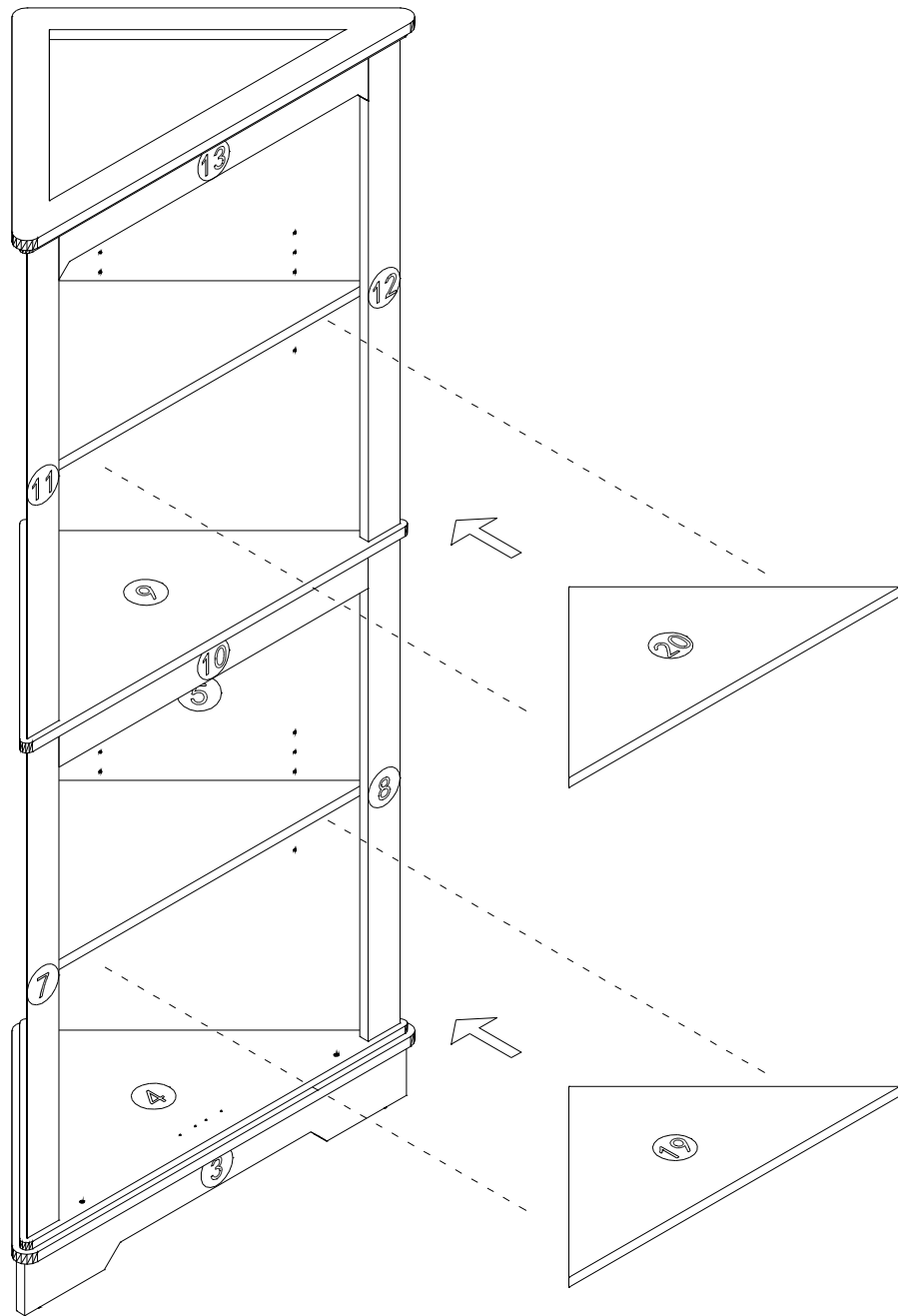
[X6]

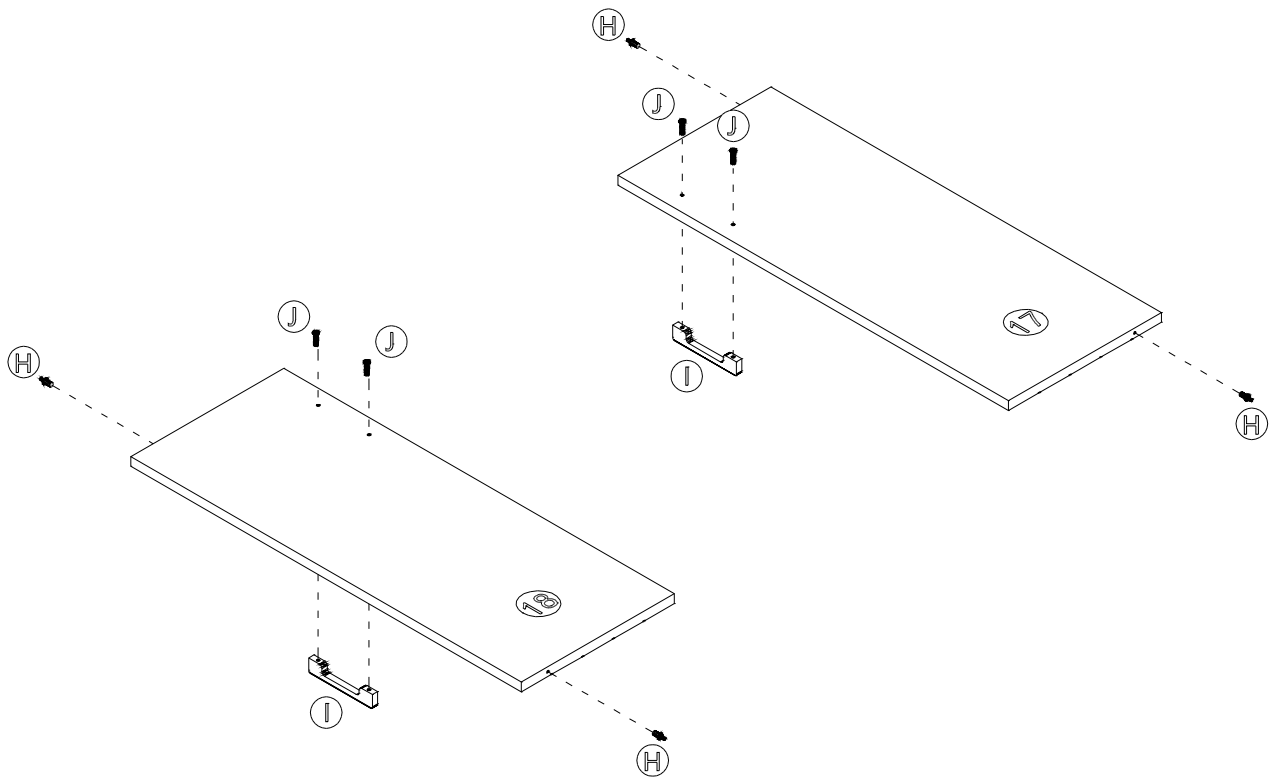


(E)

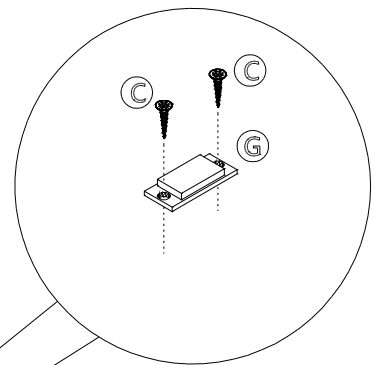
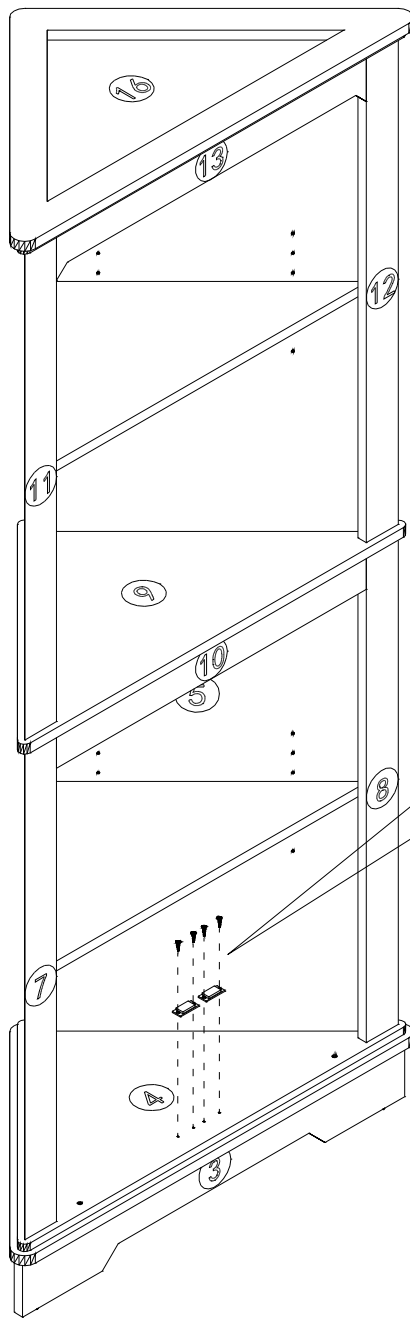



[X8]






- ⓐ [×2] ⓑ [×4] Ⓒ [×4]



C  [×4]

G  [×2]

