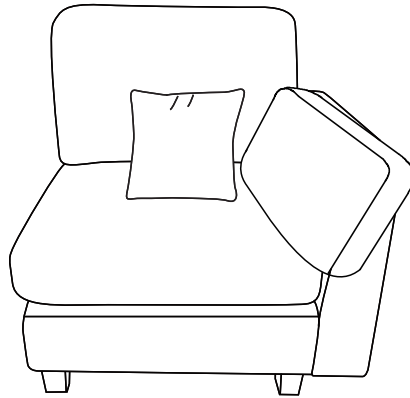


Assembly Instructions

ITEM NO:F10411/10422/10433/10444



PARTS LIST

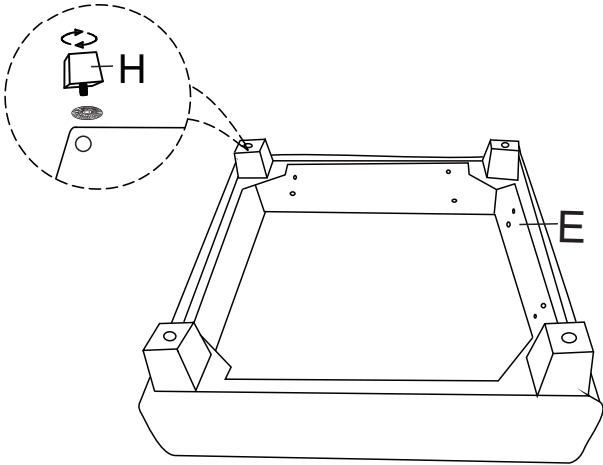
A*1	B*1	C*1	D*1
E*1	F*1	G*1	H*4

HARDWARE LIST

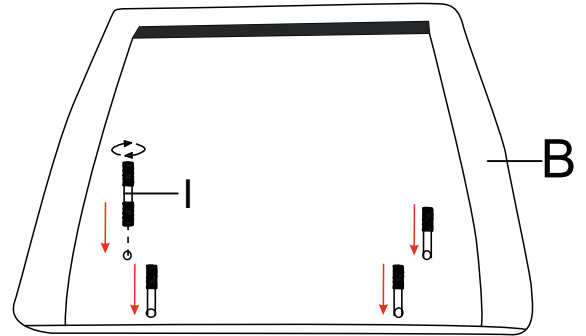
I*8	J*1	K*2

Assembly Steps

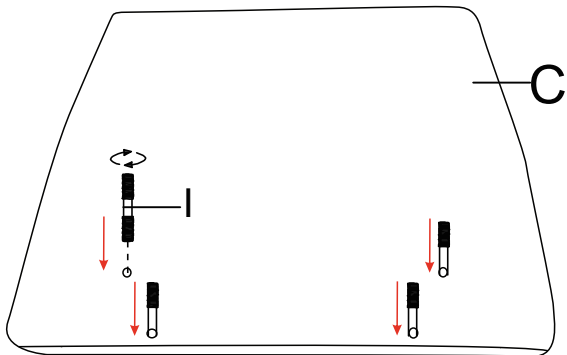
Step 1



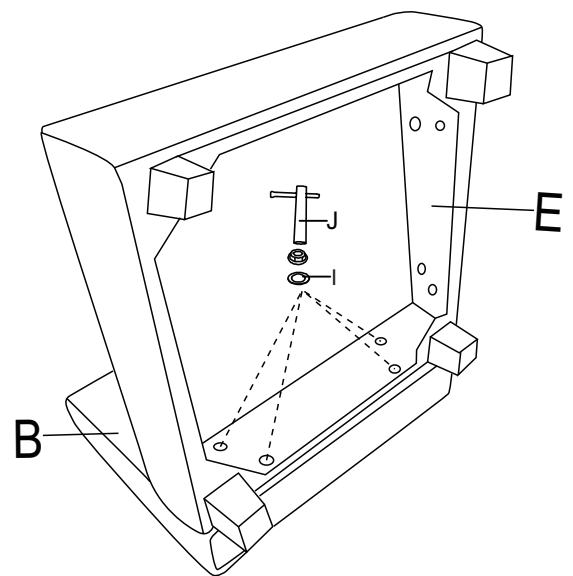
Step 2



Step 3

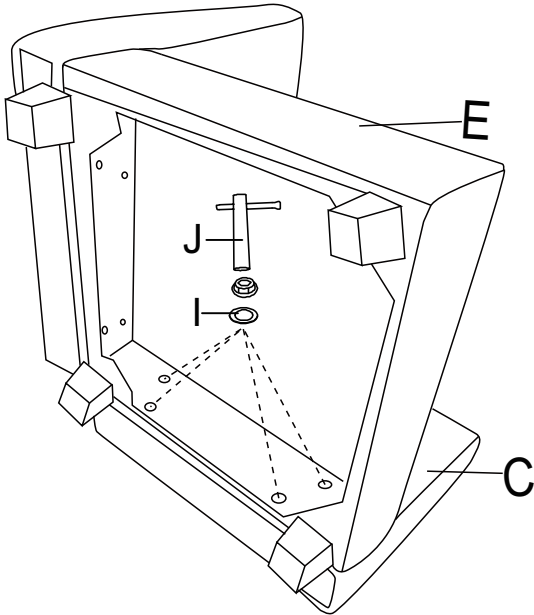


Step 4

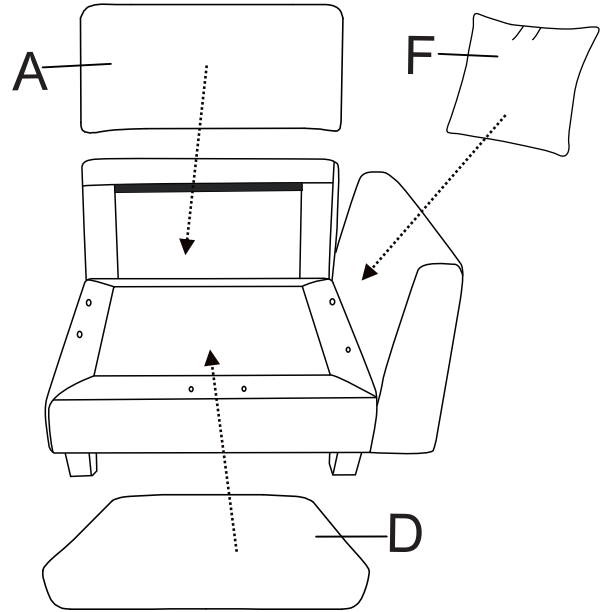


Assembly Steps

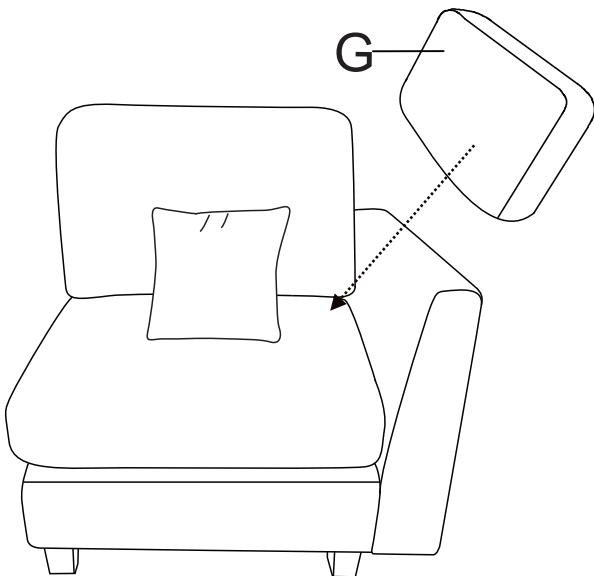
Step 7



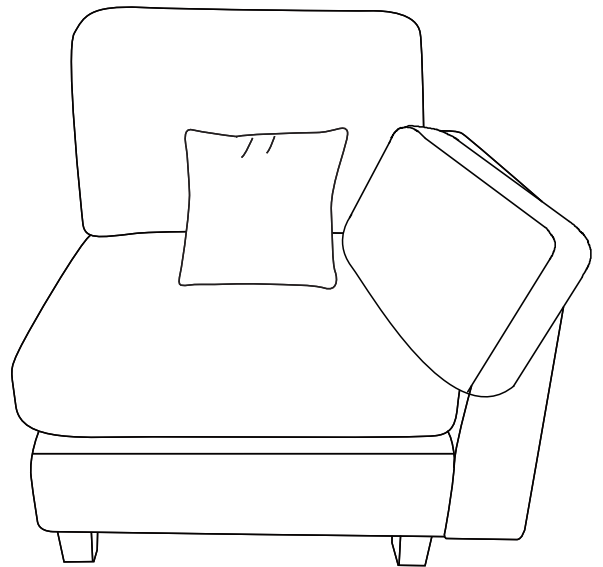
Step 8



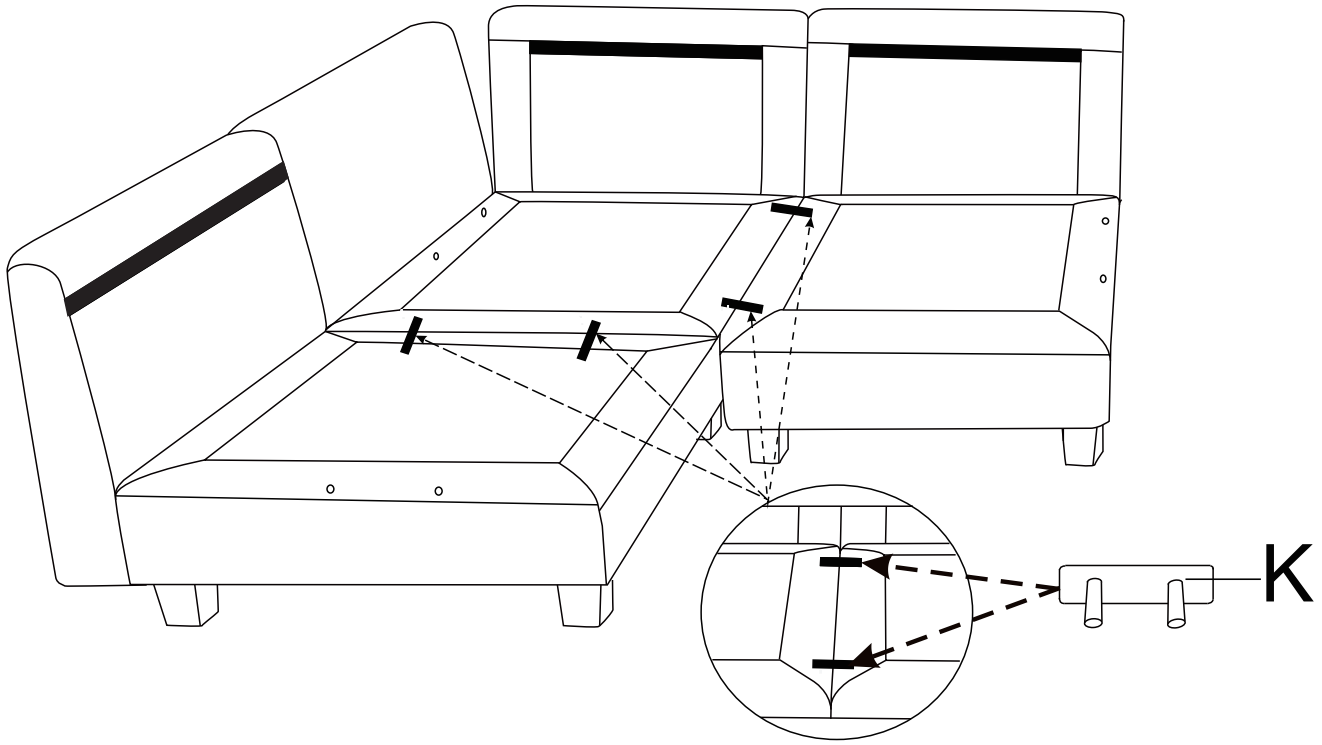
Step 9



Step 10



Assembly Steps



The connector is only used for fixing between angle and armless and between armless and armless, and the footstool has no fixing system

Toll-Free number: 1-833-273-2277