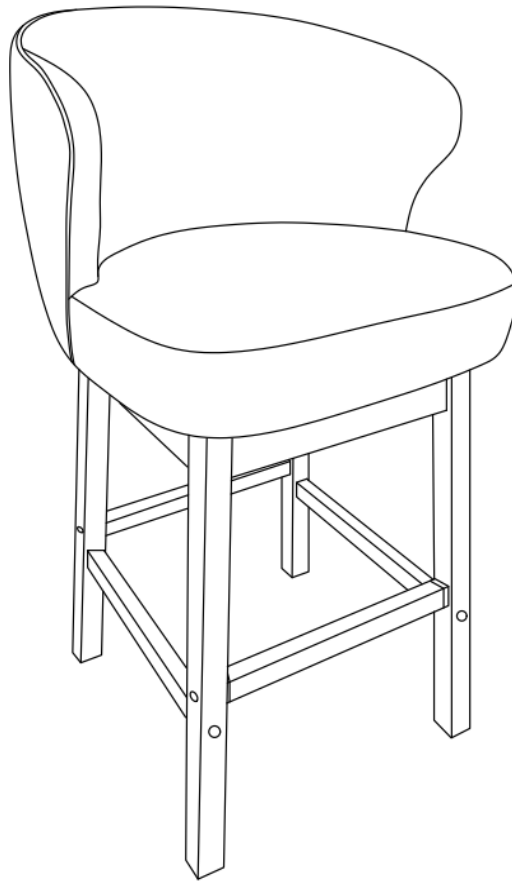


USER MANUAL

Swivel Counter Stools

Designed for your house, a New Living Style.



Attention: This instruction contains important safety information, please carefully read it and keep it for future reference...

No Need to Return !!!

If any problems occur, please reach out to us for further assistance, clear pictures associated with your problems will contribute to a faster solution...

Welcome to visit our store and purchase our quality products!

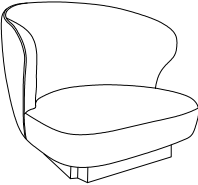
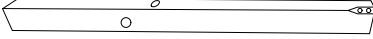
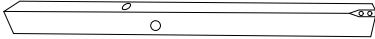
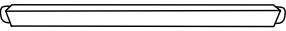
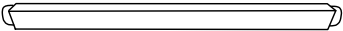

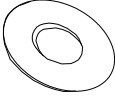



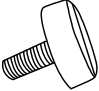
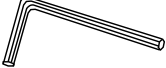

- **The product** series cover a vast selection of furniture item spanning **Computer Desks, Side Tables, Garment Racks, Cabinets, Chairs, Bar Stools, Sofas, Ottomans, Bookshelves** and **Living Room Sets, etc**, all of which are geared towards addressing various tastes and budgets.
- It is our sincere hope that our furniture items could be acting as helpful companions in your life and work. We attach great importance to customer experience and promise to serve each consumer wholeheartedly by bringing them as much value as possible; whenever you are running into any problems while assembling or using our furniture items, please touch base with us, our Customer Service team is available to provide necessary assistance to address your needs and concerns.
- Thank you for your purchase, we are committed to providing you with high value and superior quality products characterized by sturdy build, user-friendly design and reasonable pricing.

Attention:

- Extra hardware parts and foot pads are provided for the purpose of possible repair or replacement in the future.
- In the process of assembly, be sure to keep all small parts in the package out of reach of babies and children, which pose a choking hazard if swallowed or inhaled; keep the packaging materials (film, plastic bags, foam, etc.) away from babies and children to avoid potential dangers of suffocation.
- Do not fully tighten any screw until all screws are aligned with their corresponding holes.
- Two persons are required for the assembly; for the purpose of a time-saving and hassle-free assembly, please act in compliance with the step-by-step instructions.
- The seller bears no responsibility and/or liability for any personal injury and/or property damage arising from improper use or incorrect assembly .
- During the assembly, please be wary of sharp corners of the wooden panel or the metal frame, it is commended to wear a pair of gloves when you come into contact with these parts.
- Any unauthorized modification to this item will void its warranty.

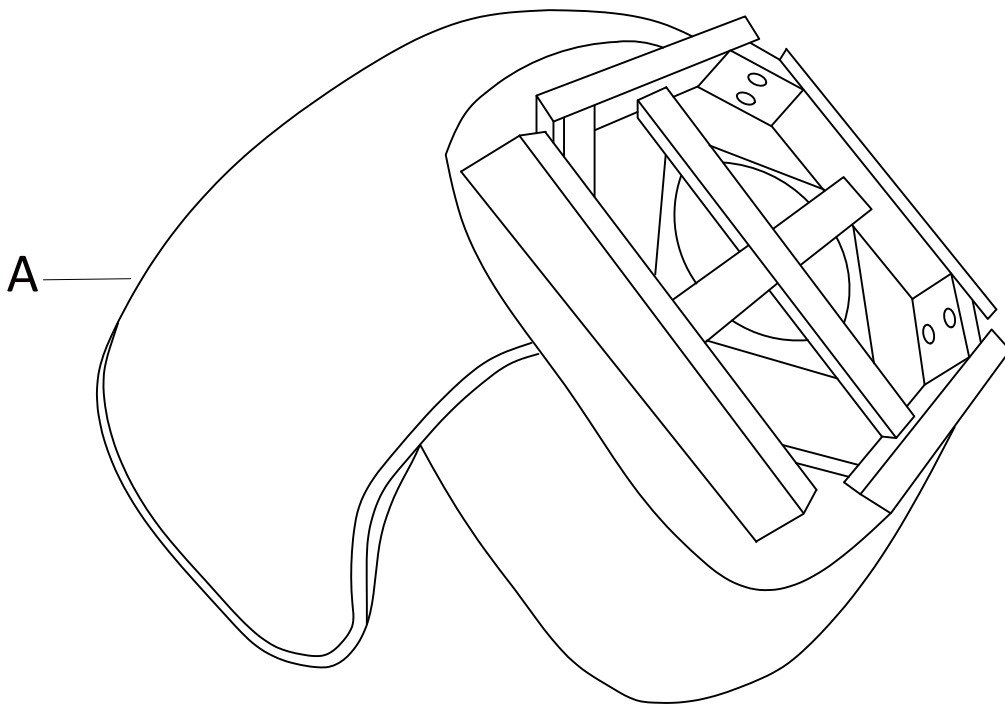
Parts List

Prior to assembly, check to see if all parts and hardware are included as follows, should any part be found missing or defective, please reach out to our customer service for further assistance.

<p>Ax1</p>  <p>Seat Cushion</p>	<p>Bx2</p>  <p>Legs</p>	<p>Cx2</p>  <p>Legs</p>
<p>Dx2</p>  <p>Front/Rear Stretcher</p>	<p>Ex2</p>  <p>Side Stretcher</p>	<p>Fx8</p>  <p>M8x60cm Screws</p>
<p>Gx8</p>  <p>φ8-22 Flat Washer</p>	<p>Hx8</p>  <p>φ8-12 Lock Washer</p>	<p>Ix8</p>  <p>M6x35 Screws</p>
<p>Jx8</p>  <p>Plug</p>	<p>Kx4</p>  <p>Adjustable Foot Glide</p>	<p>Lx1</p>  <p>M8 Allen Wrench</p> <hr/> <p>Mx1</p>  <p>M6 Allen Wrench</p>

Assembly Steps

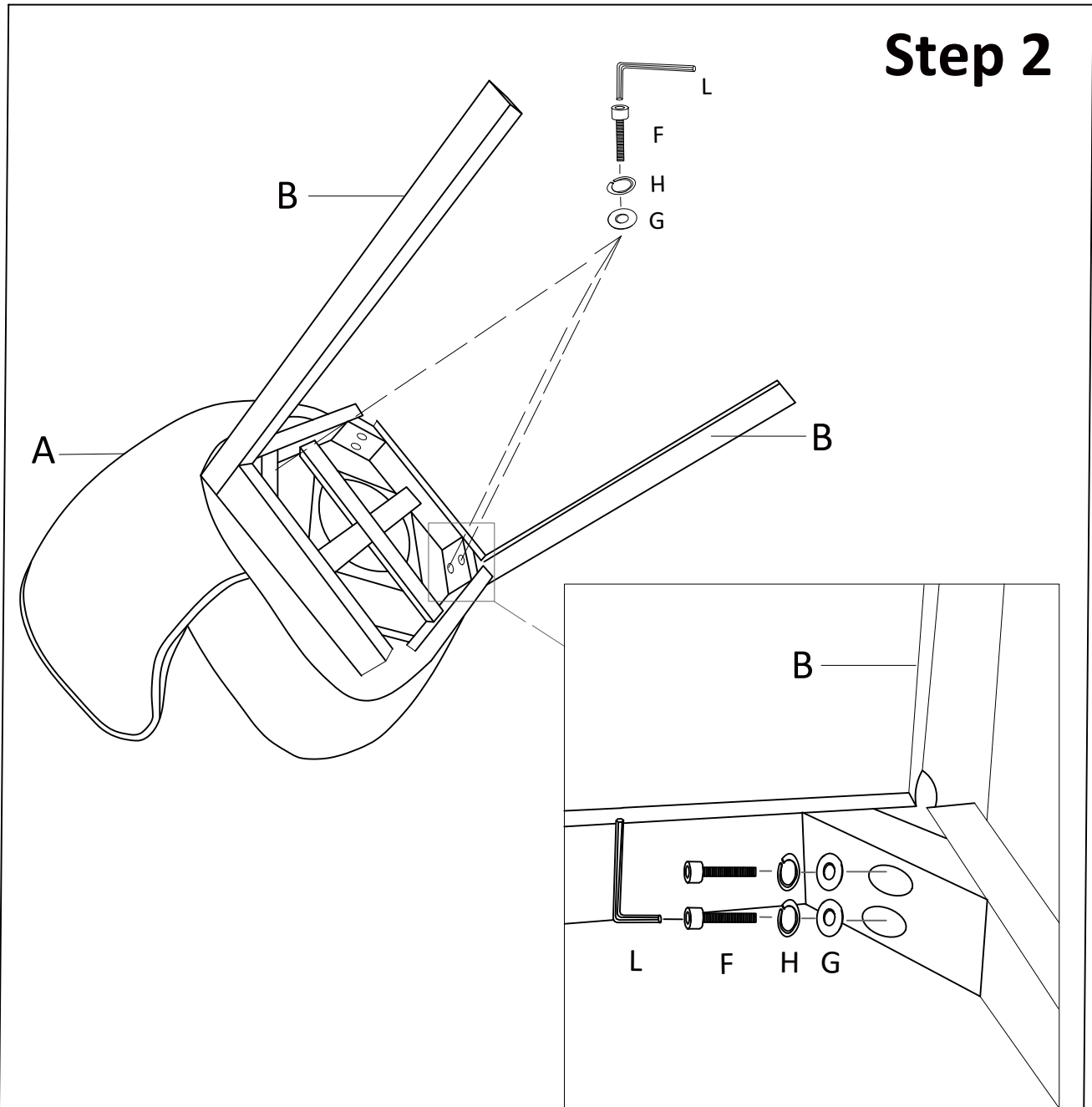
Step 1



- Put the bottom of Seat A upwards.

Assembly Steps

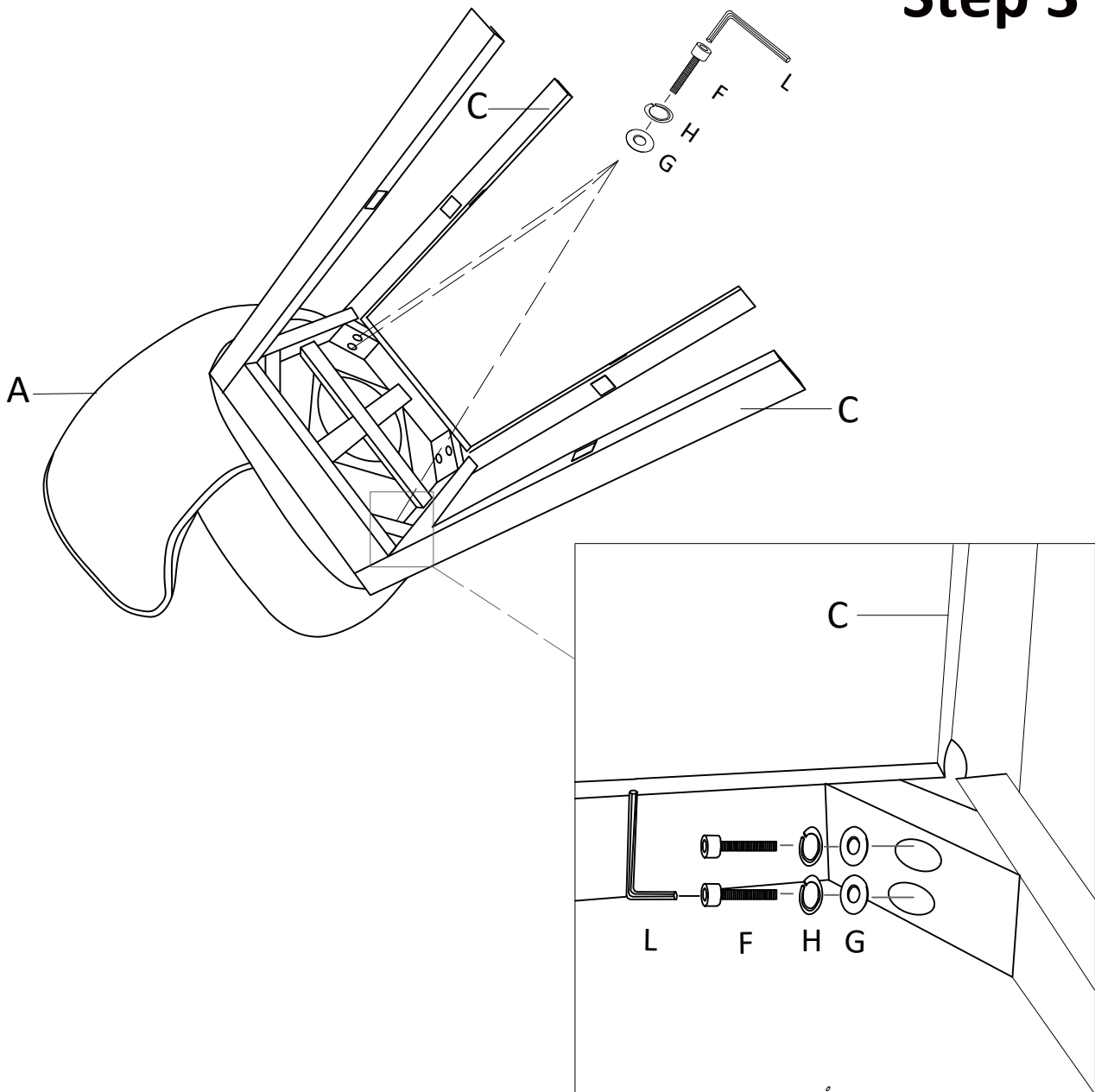
Step 2



- Assemble legs B to Seat Cushion A. Align the holes on legs B with the holes on the orner blocks on Seat Cushion A. Secured with Screws F, Lock Washer H, Flat Washer G and Allen Wrench L. Lightly tighten the screws.

Assembly Steps

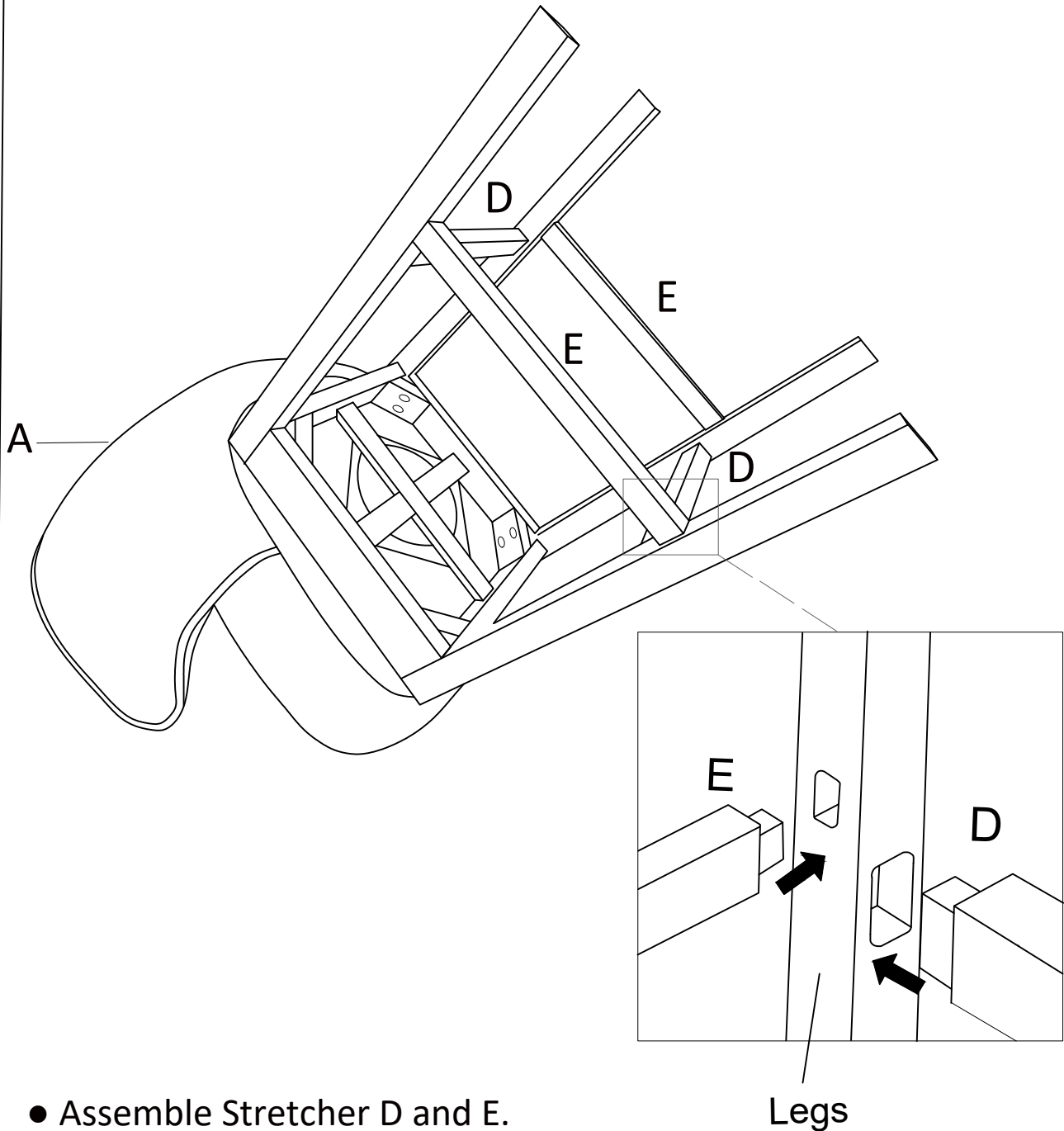
Step 3



- Assemble legs C to Seat Cushion A. Align the holes on legs C with the holes on the orner blocks on Seat Cushion A. Secured with Screws F, Lock Washer H, Flat Washer G and Allen Wrench L. Lightly tighten the screws.

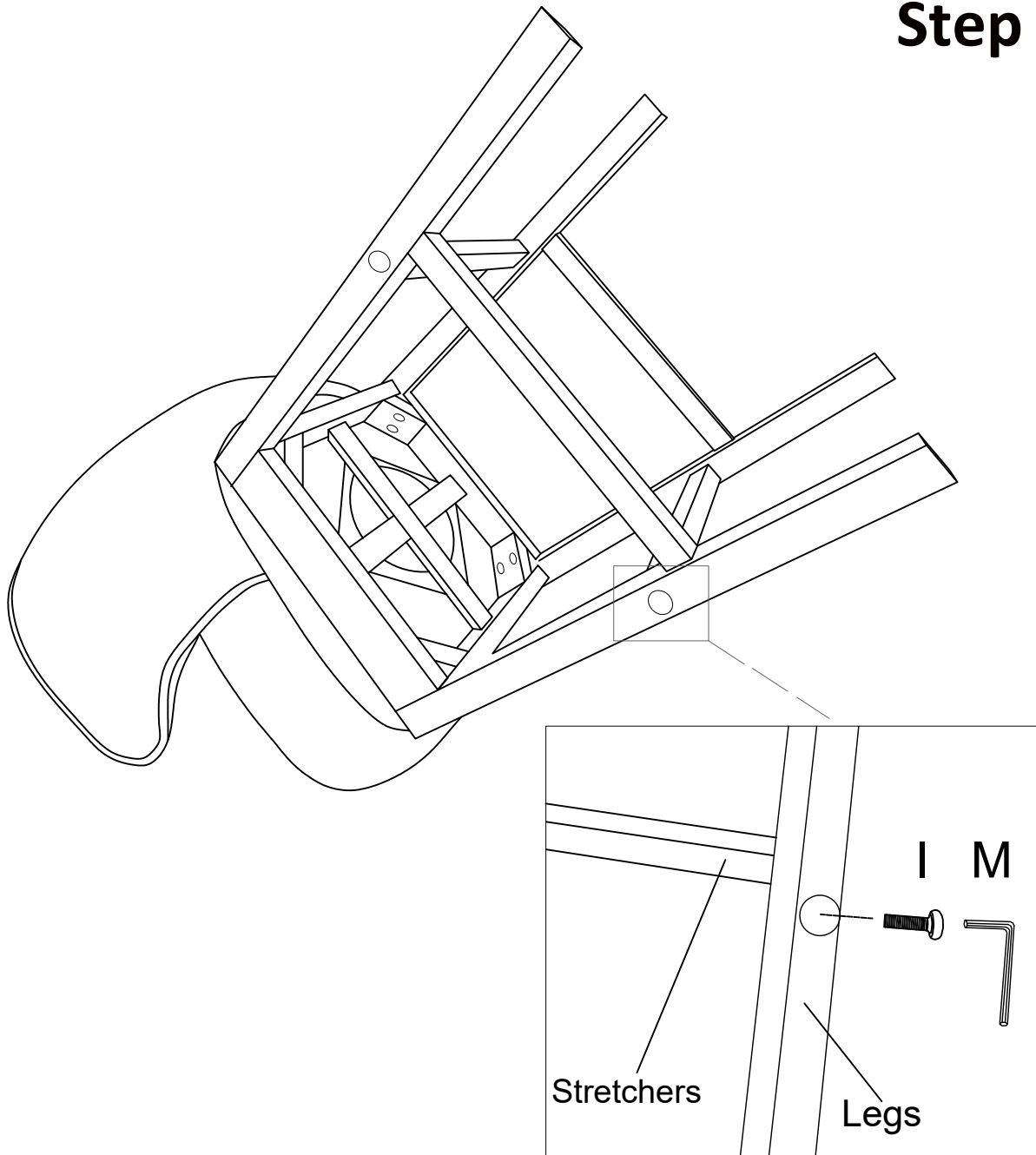
Assembly Steps

Step 4



Assembly Steps

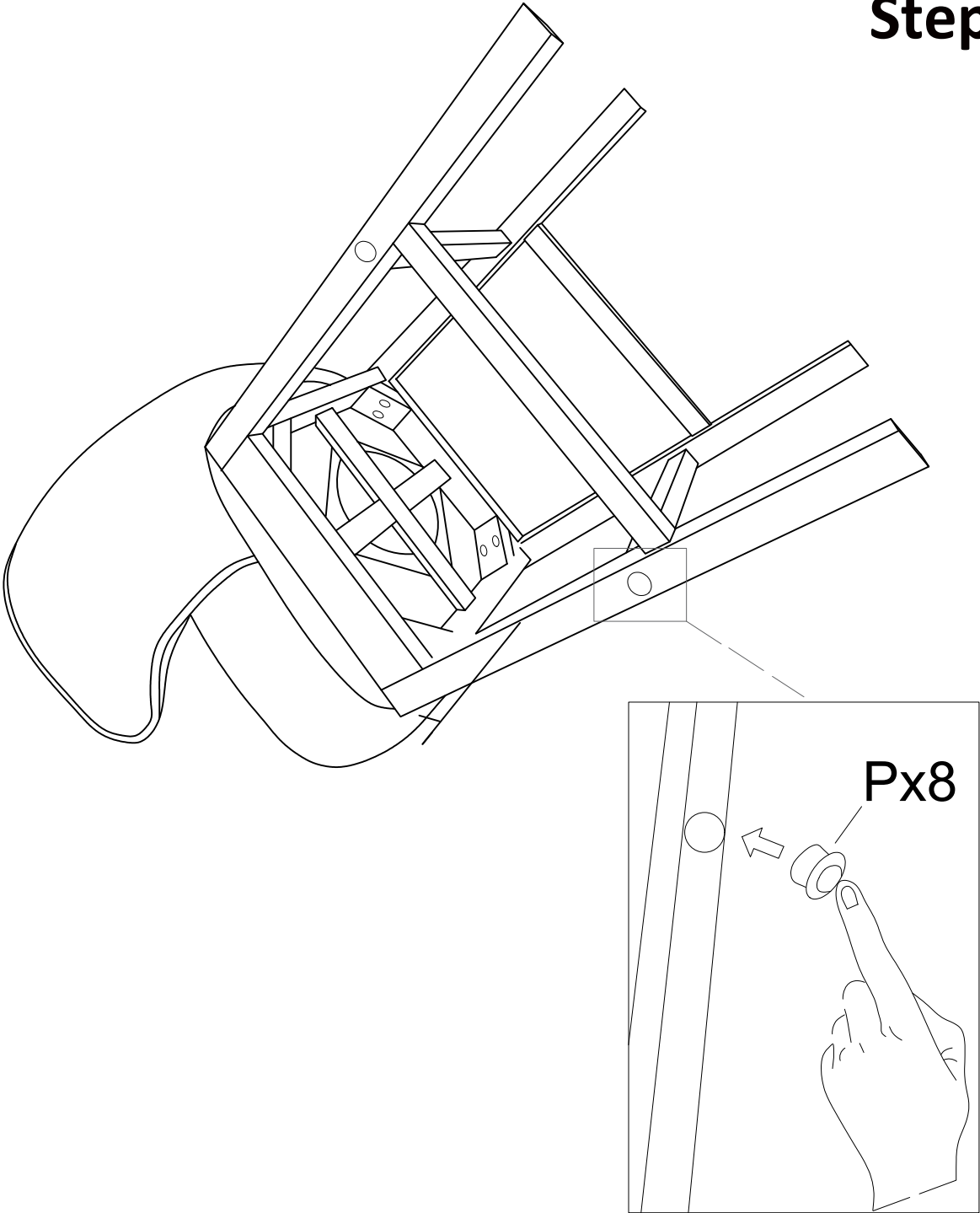
Step 5



- Assemble Stretchers D&E to legs B&C, Secured with Screws I and Allen Wrench M. Tighten the screws.

Assembly Steps

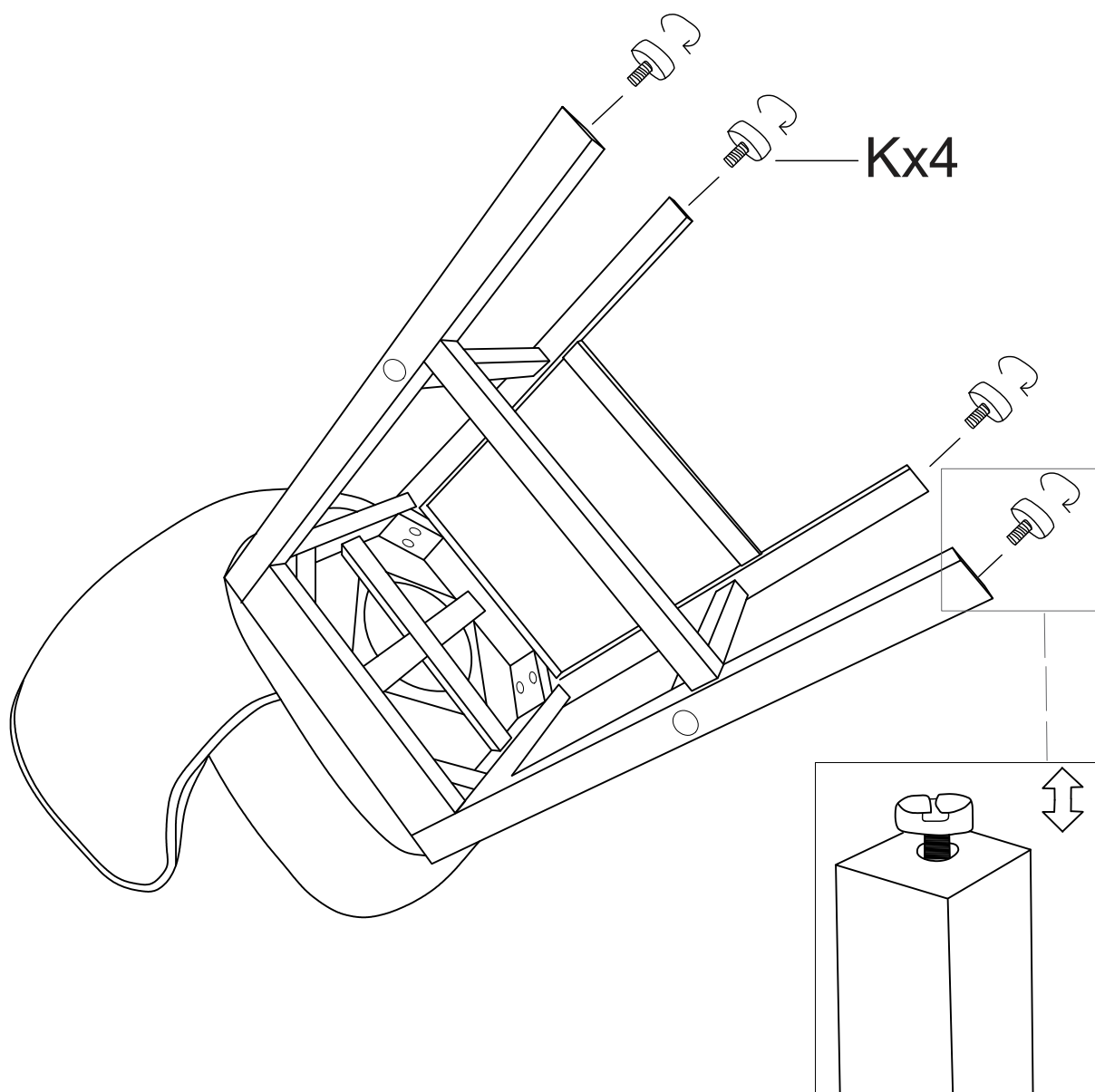
Step 6



- Insert the Plugs P into the holes.

Assembly Steps

Step 7



- Put the Adjustable Glide K on the legs by clockwise. You can level the chair through adjustable glide.

Assembly Steps

Fully Assembly

