

INSTALLATION GUIDE

WARNINGS AND CAUTIONS

Released Date:2025-04

READ AND SAVE THESE INSTRUCTIONS

Please read and understand this entire manual before attempting to assemble, install or operate the product.

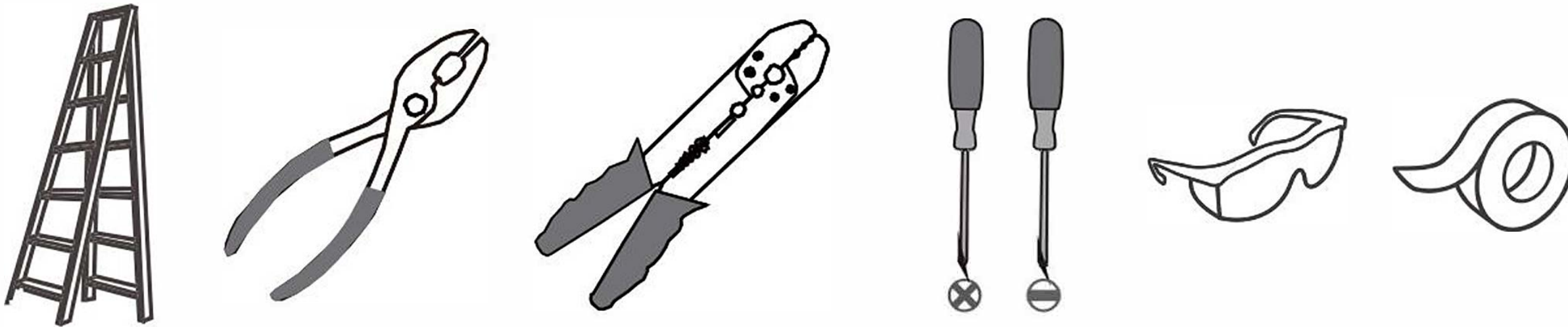
WARNING

- RISK OF ELECTRIC SHOCK - Before beginning installation, turn off electricity at the circuit breaker box or the main fuse box.
- RISK OF FIRE - Use bulbs specified by the markings and/or labels on the fixture.

CAUTION

- For your safety, read instructions completely before beginning installation.
- If in doubt about electrical installation, consult a licensed electrician.
- Turn off electricity to fixture before replacing the bulb(s).

TOOLS REQUIRED



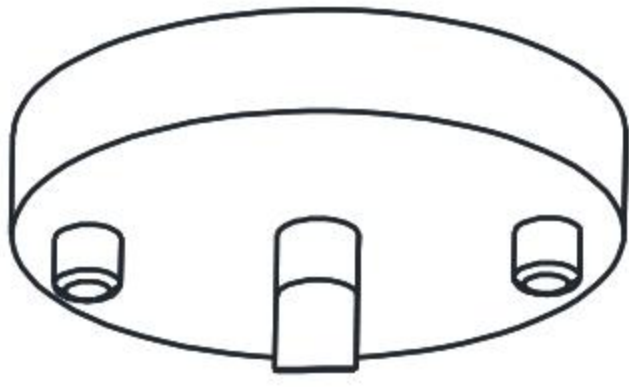
CARE AND MAINTENANCE

- Wipe clean using soft, dry cloth or static duster. Always avoid using harsh chemicals and abrasives to clean fixture as they may damage the finish.

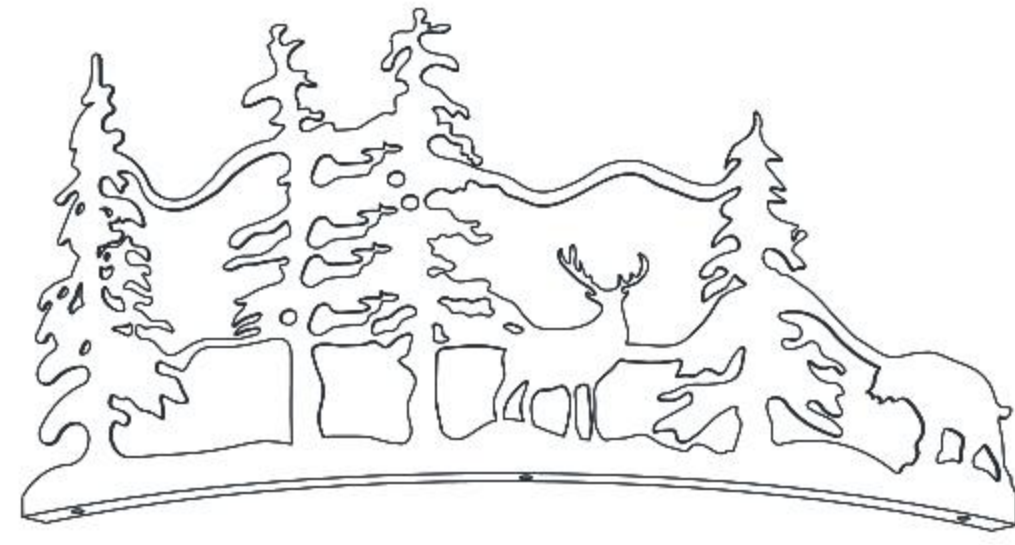
If you need further assistance contact our After Customer Care, we will reply you in 24 hours.

PACKAGE CONTENTS

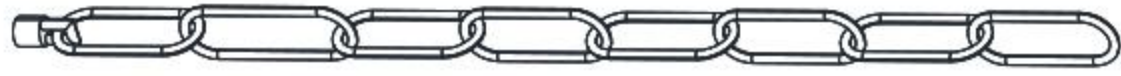
A Ceiling Canopy
x 1



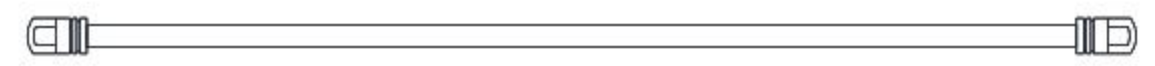
C Forest Deer Iron Panel
x 4



B Fixture Chain
x 1



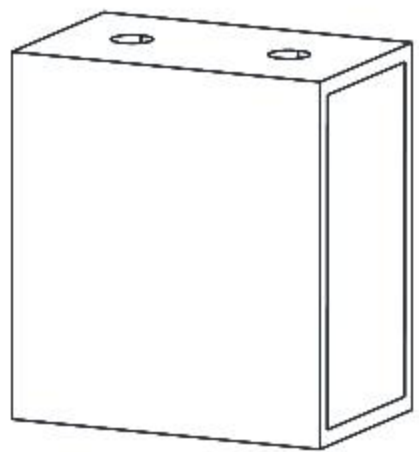
D Long Rod
x 8



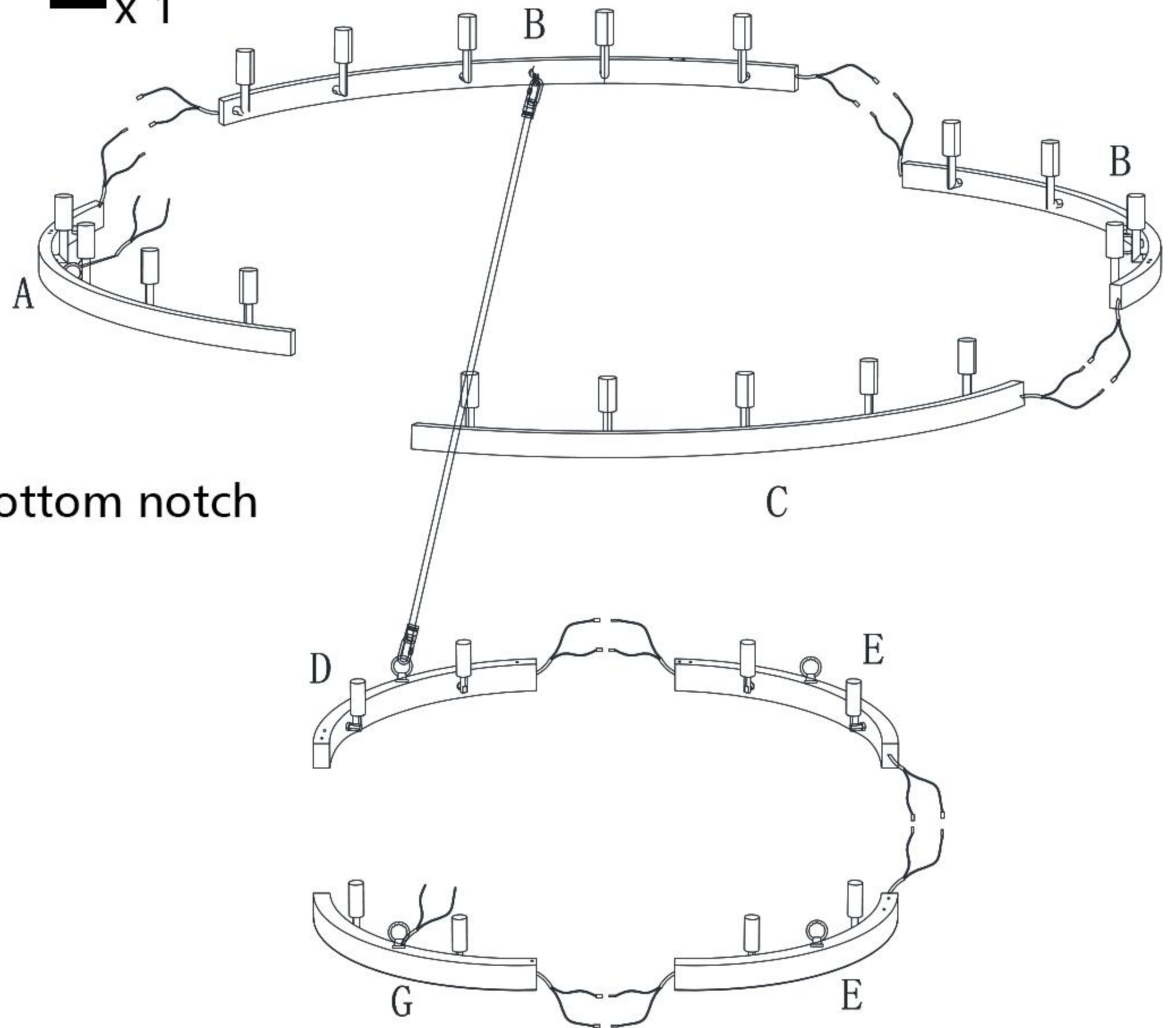
J Short Rod
x 4



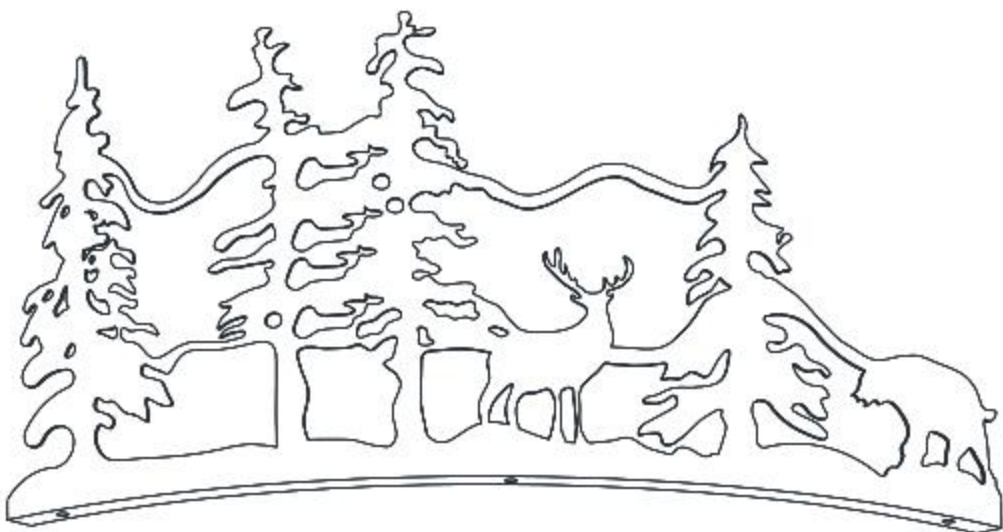
F Frame Connector
x 8



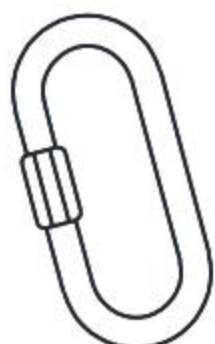
E Fixture Body Frame
x 1



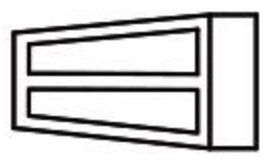
G Forest Deer Iron Panel with bottom notch
(for use on the small ring)
x 4



H Carabiner
x 20



PACKAGE CONTENTS (PARTS BAG 1)



AA Wire Connector
x 4



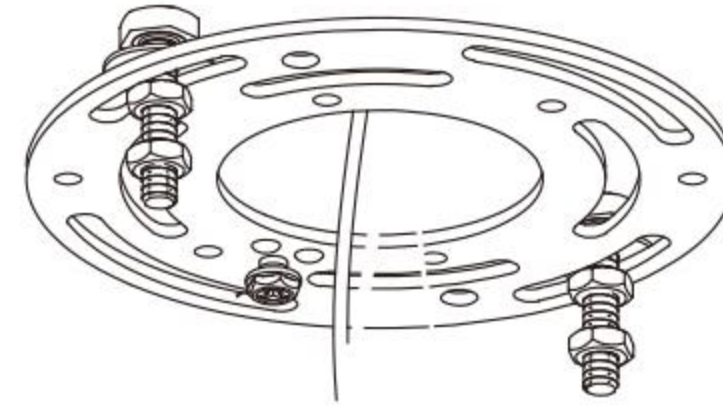
BB Screw
x 4



CC Wall Anchor
x 4

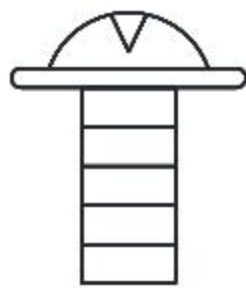


DD Mechanical Screw
x 2



EE Mounting Bracket
x 1

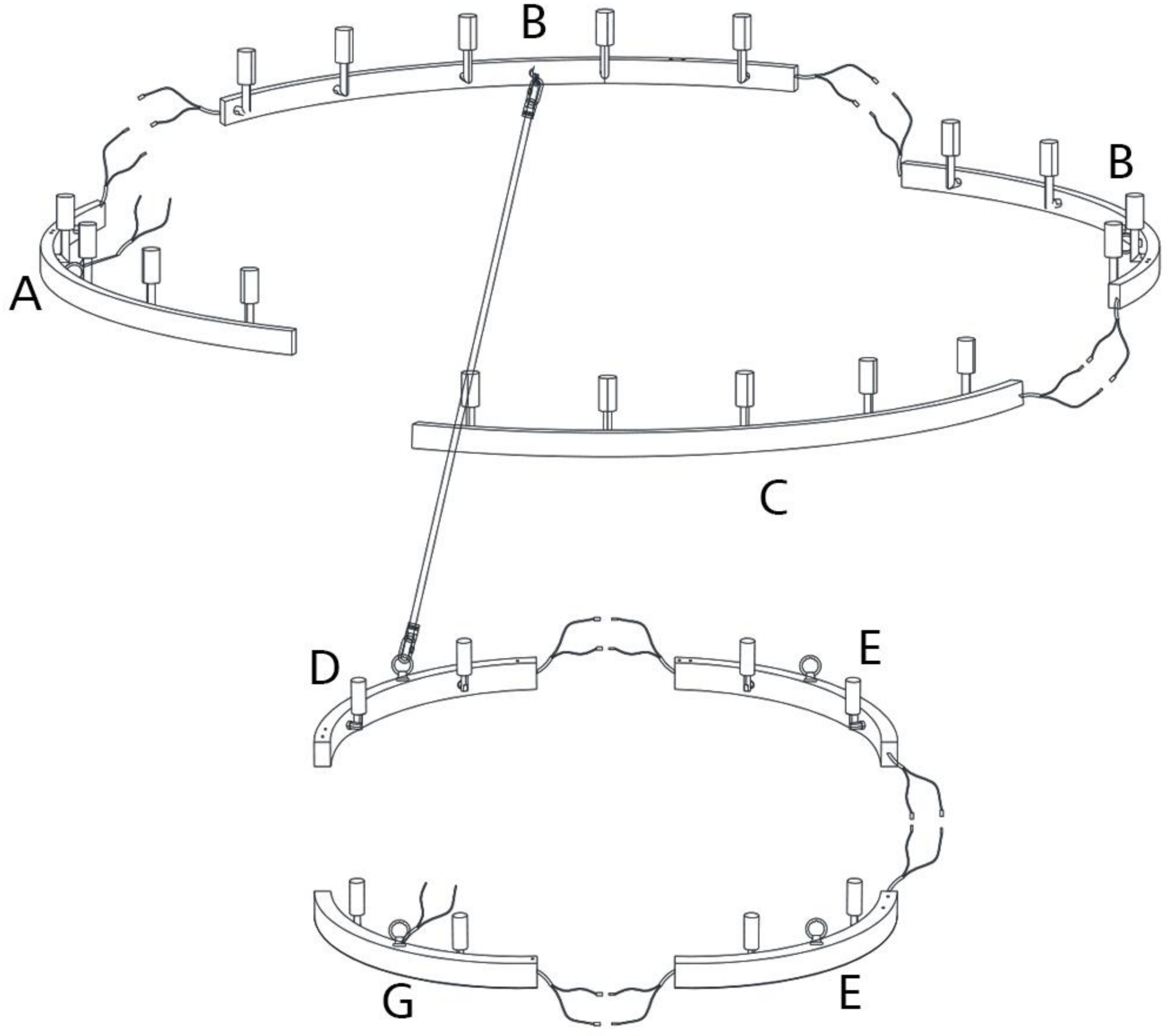
PACKAGE CONTENTS (PARTS BAG 2)



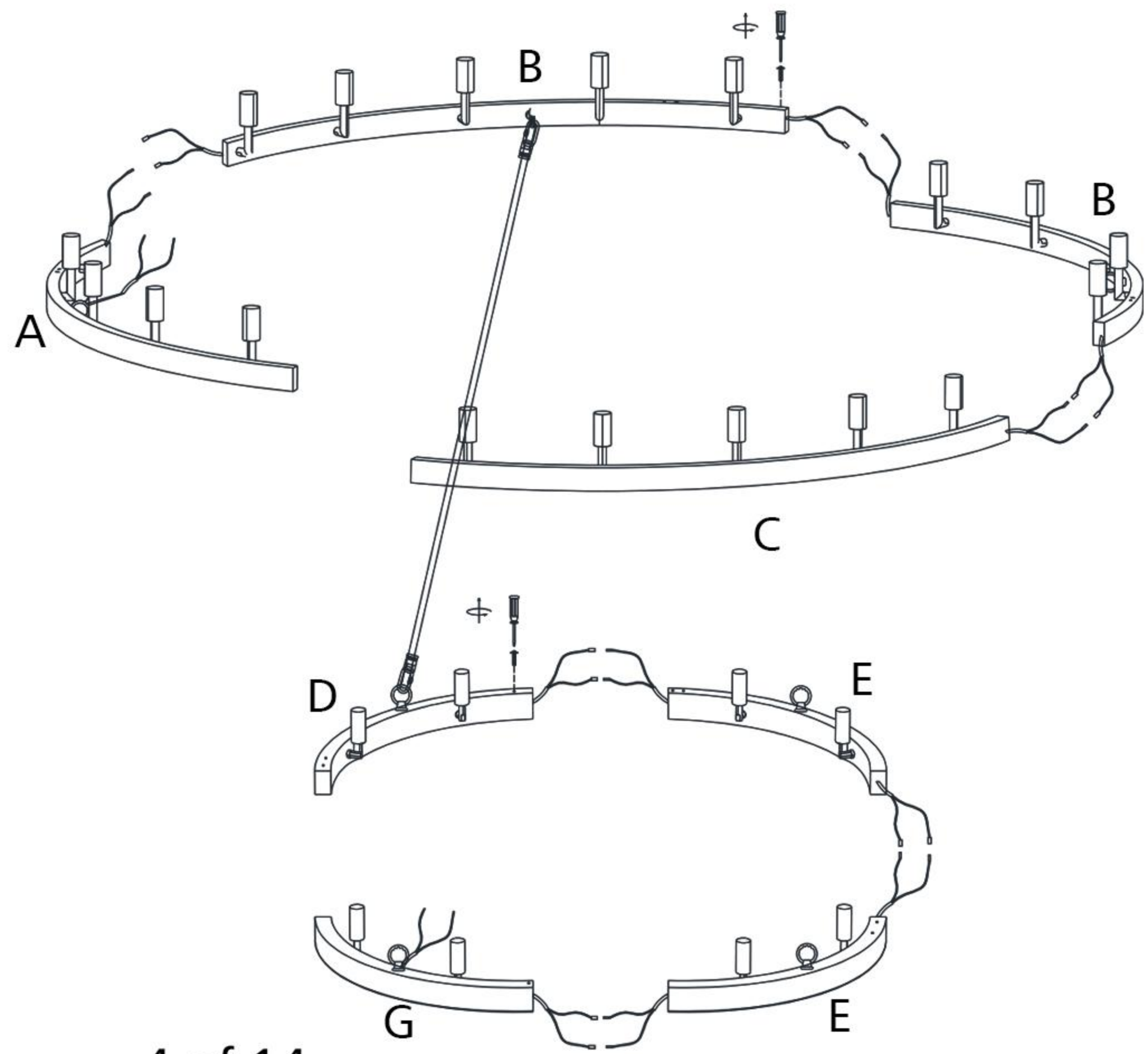
KK Spare Screws
x 4

INSTALLATION

1 Arrange the Fixture Body Frames according to the diagram
For the large ring, place the frames in the sequence A-B-B-C
For the small ring, place the frames in the sequence D-E-E-G

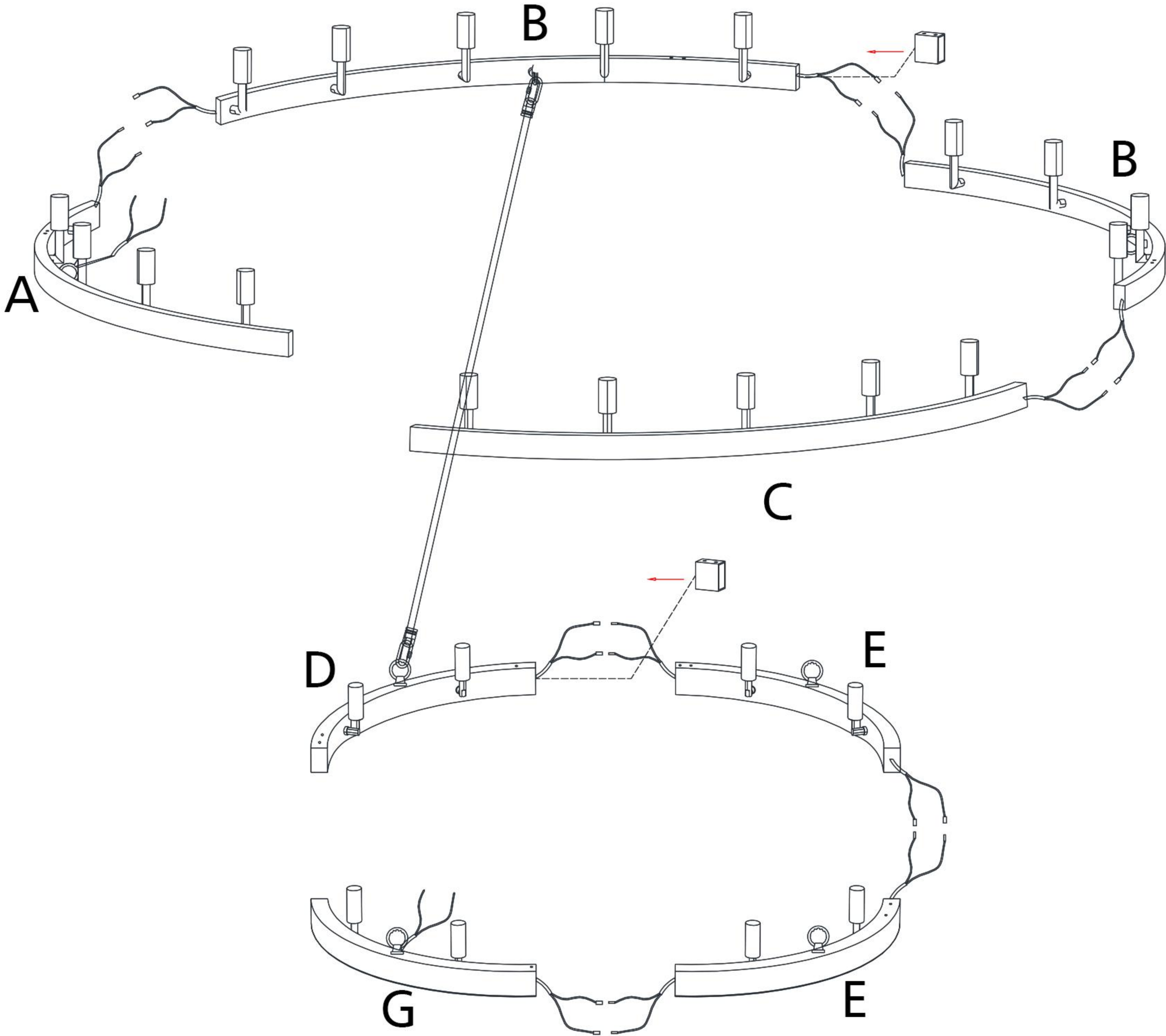


2 Unscrew and remove all the screws from the large ring and the small ring. Keep the screws in a safe place for later use. A total of 52 screws will be required for the following steps



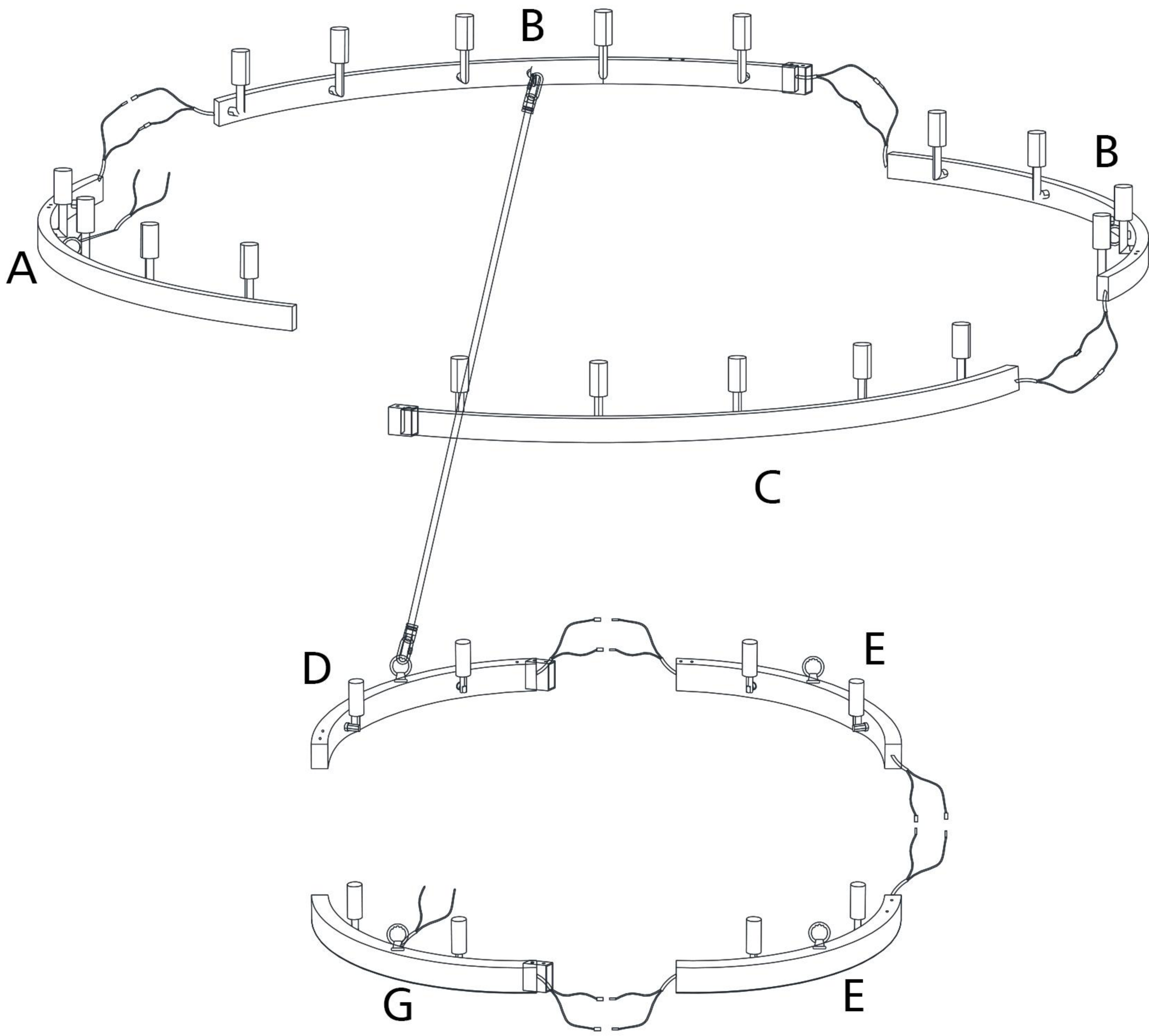
INSTALLATION

3 Insert the Frame Connectors into the Fixture Body Frames in the correct order



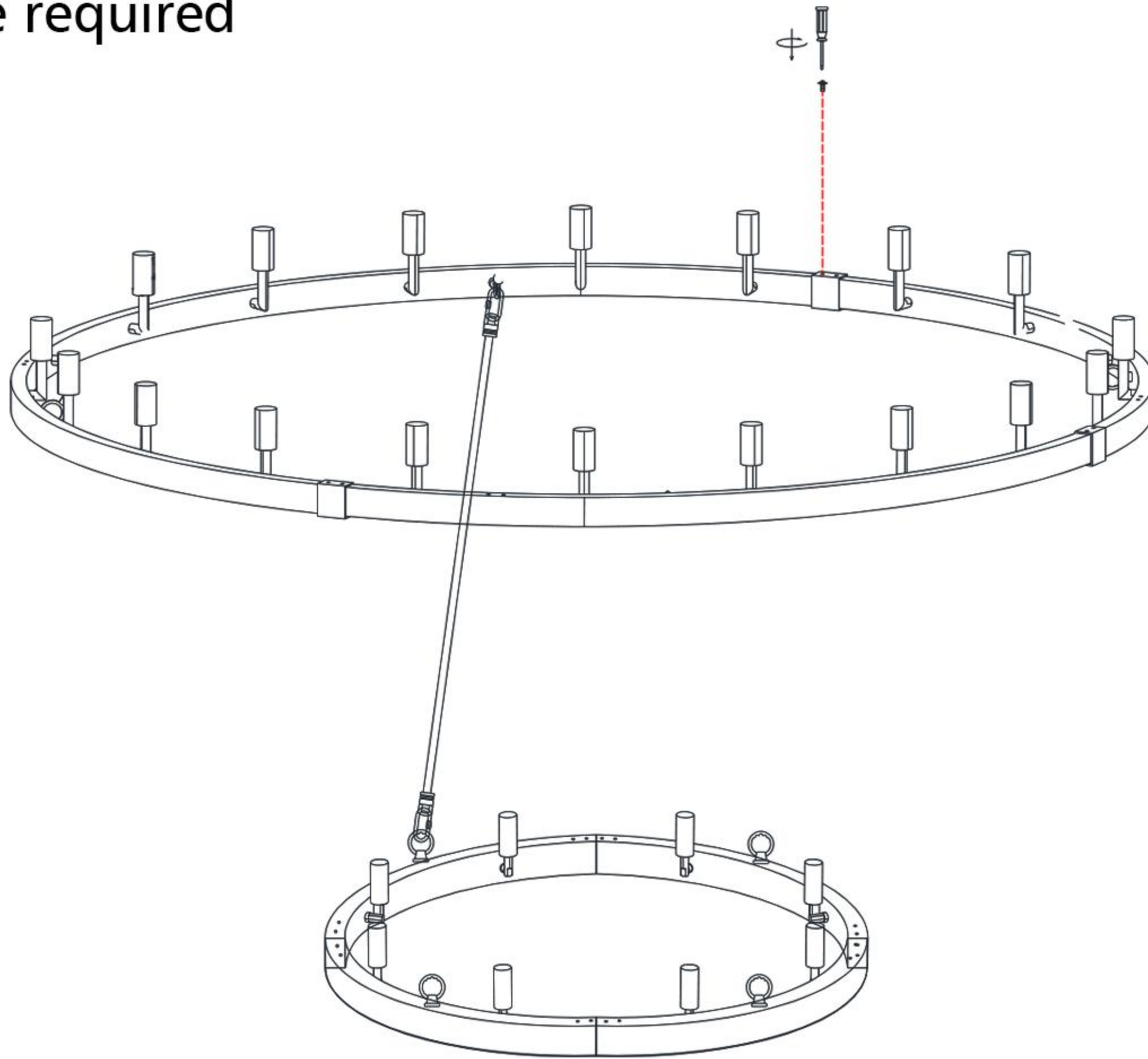
INSTALLATION

4 Place the Fixture Body Frames in the sequence A-B-B-C, D-E-E-G according to the diagram. Then, connect the internal plugs of the Frame Connectors, ensuring black is connected to black and white to white

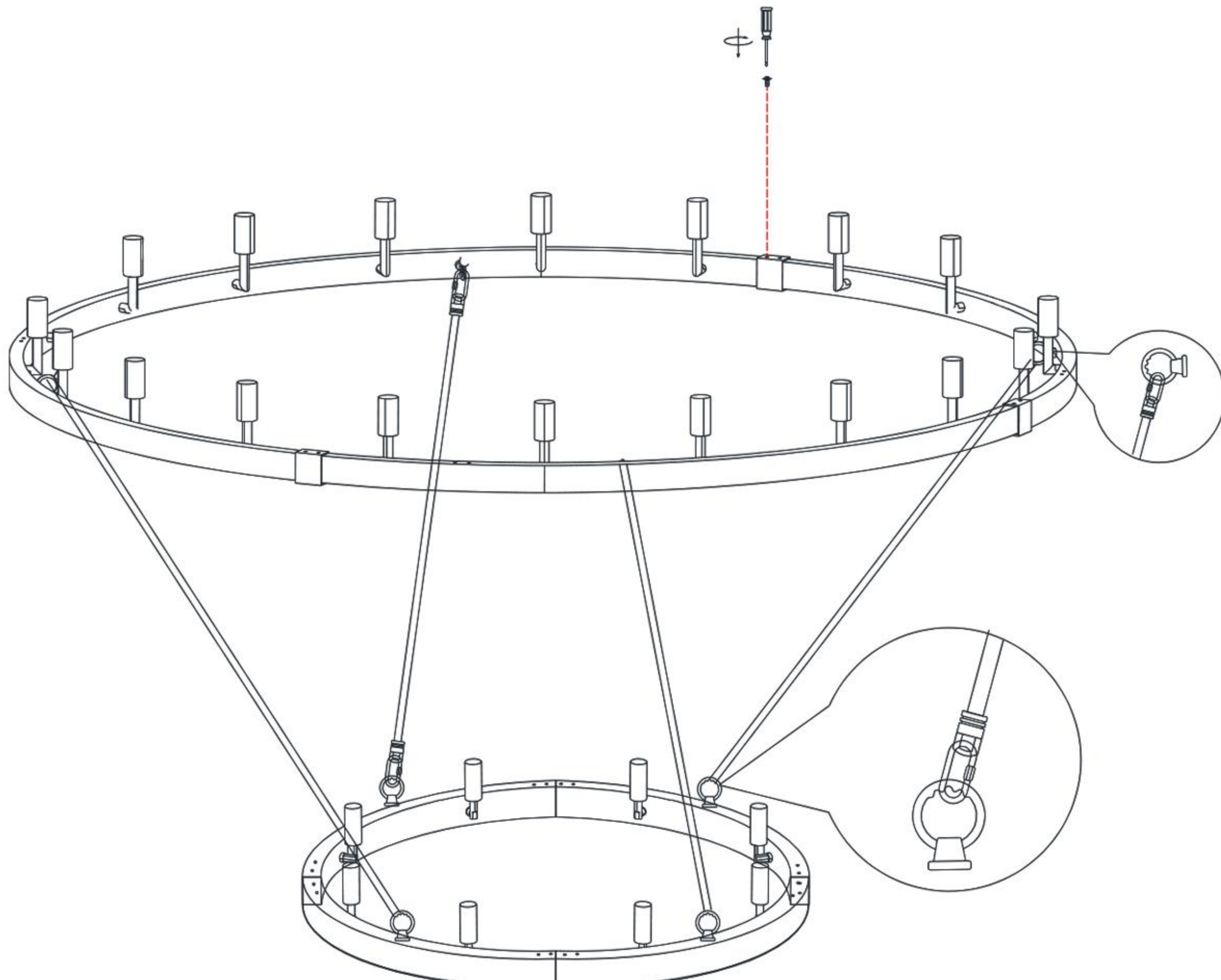


INSTALLATION

- 5** Align the screw holes of the frame connector with those on the fixture body frame and secure them with 2 screws, a total of 16 screws are required



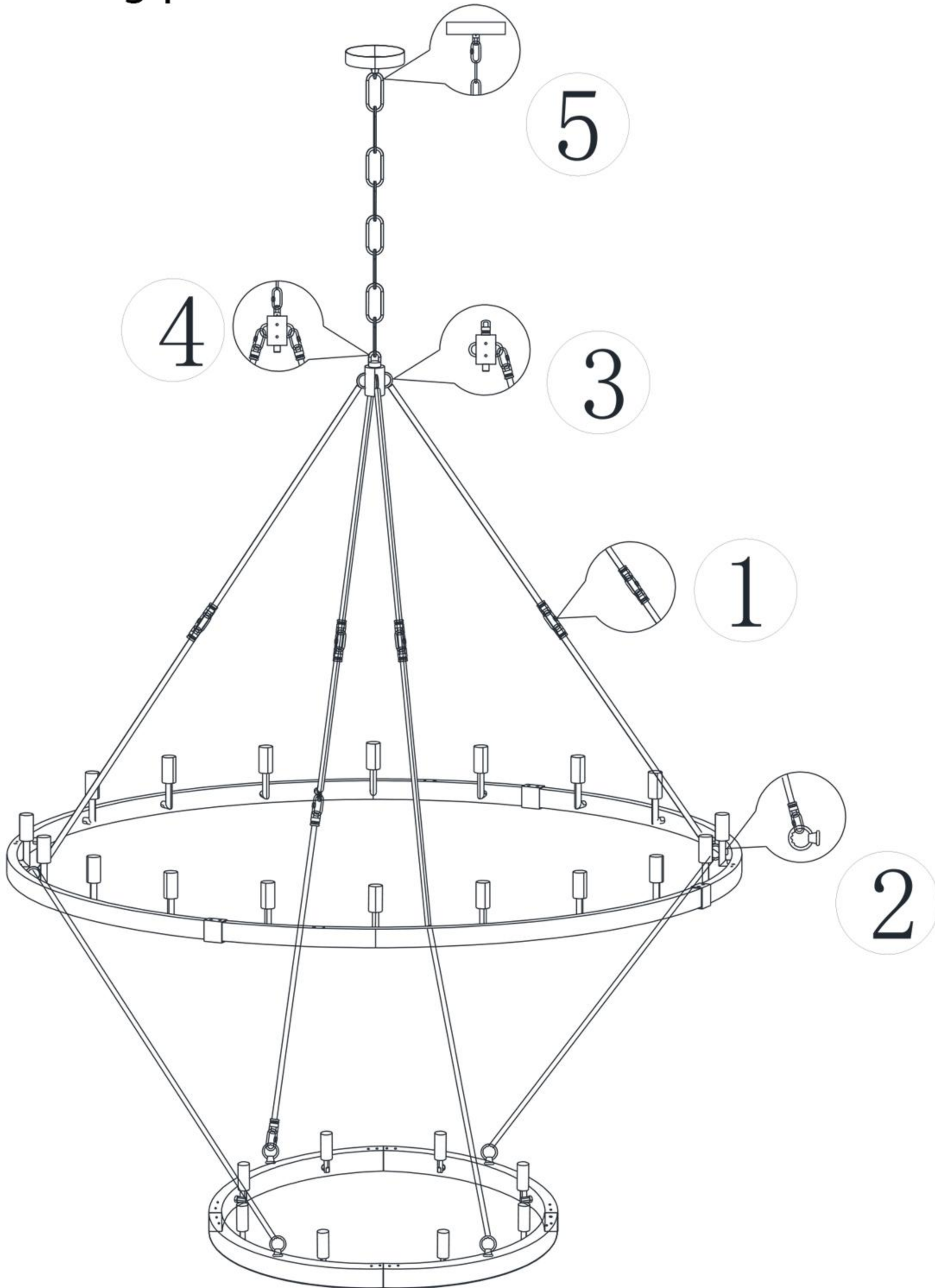
- 6** Connect the large ring and the small ring using 4 long rods and carabiners, following the configuration shown in the diagram



INSTALLATION

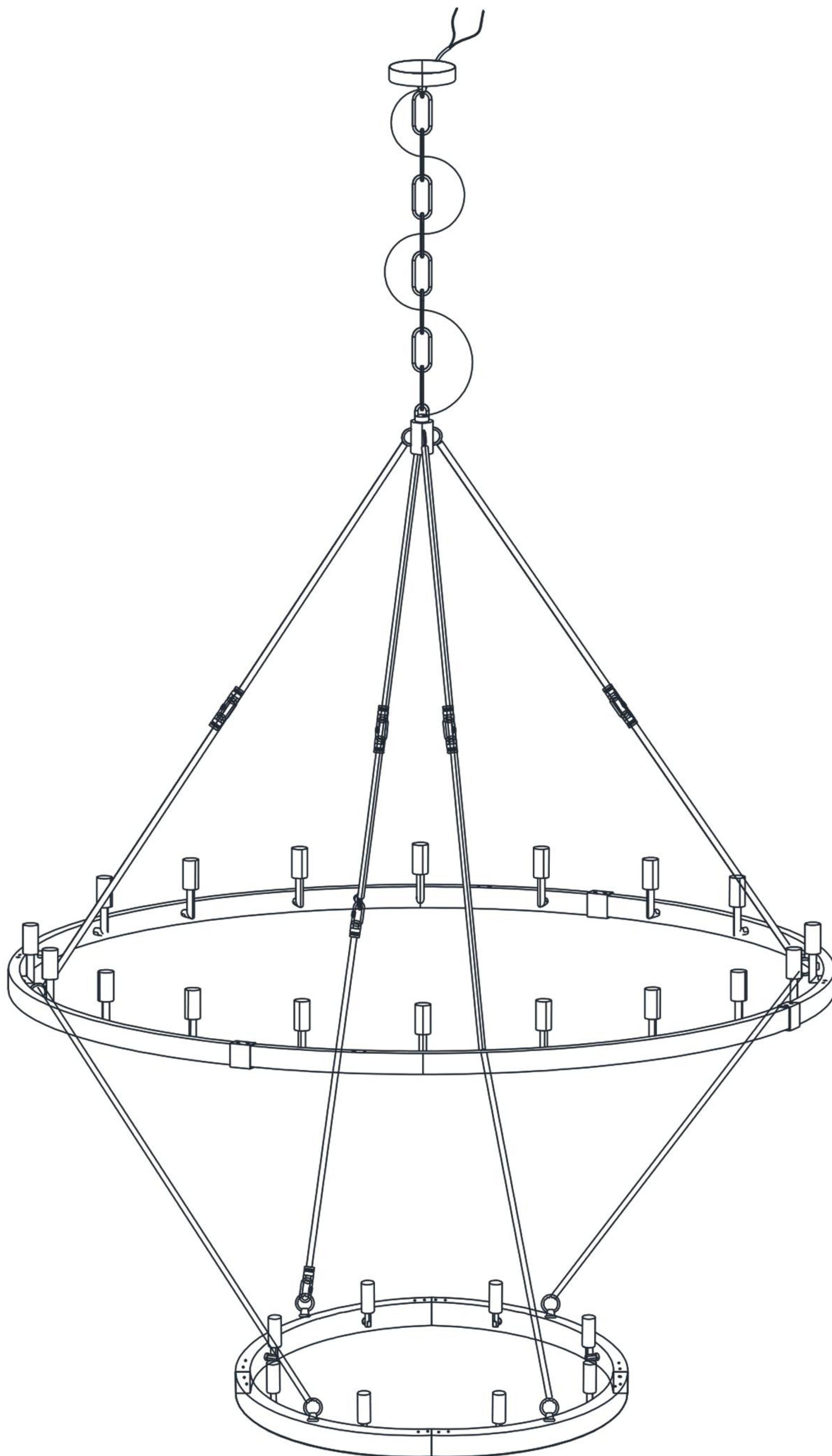
7

1. Use carabiners to connect the 4 long rods with the 4 short rods. Ensure that the long rods are positioned at the bottom, closer to the small ring
2. Use carabiners to connect the assembled rod units to the hanging rings on the large ring
3. Use carabiners to connect the rod assemblies from Step 1 to the rings on the lamp holders
4. Connect the carabiners on the hanging chains to the hanging rings on the lamp holders
5. Connect the carabiners on the hanging chains to the hanging rings on the ceiling plate



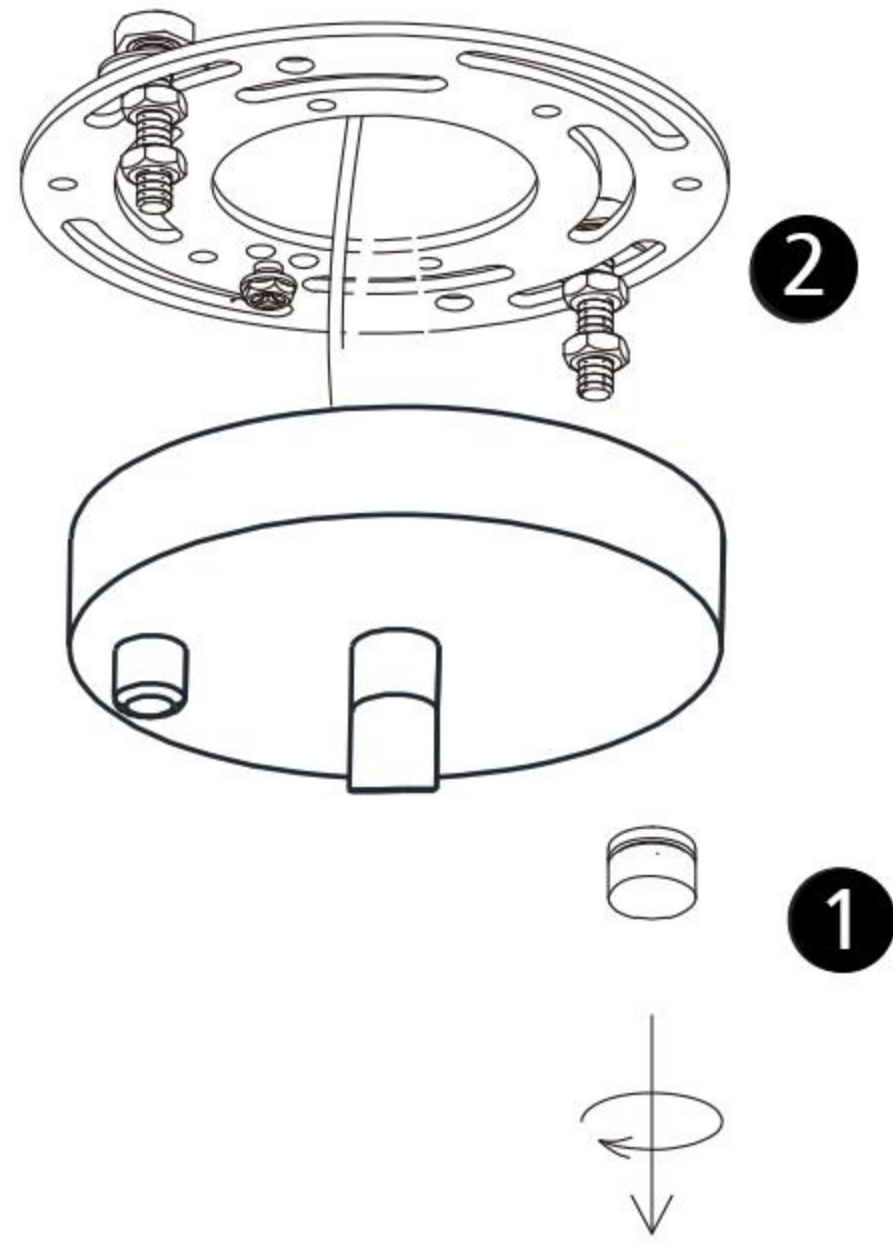
INSTALLATION

- 8 Thread the wire through the chain and the canopy

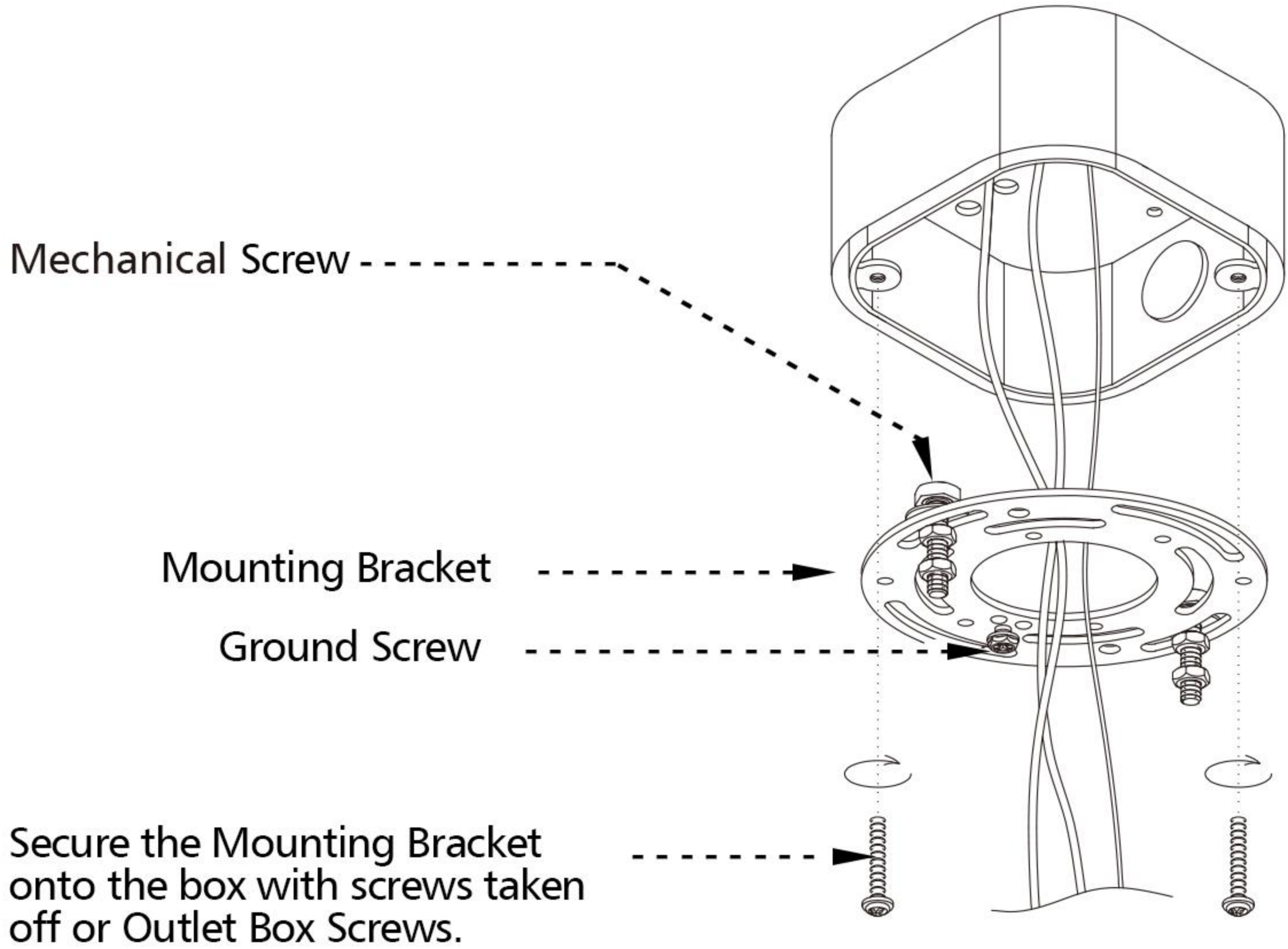


INSTALLATION

- 9** 1. Unscrew the nuts **1** on both sides of the ceiling canopy.
2. Take out the hanging bracket. **2**

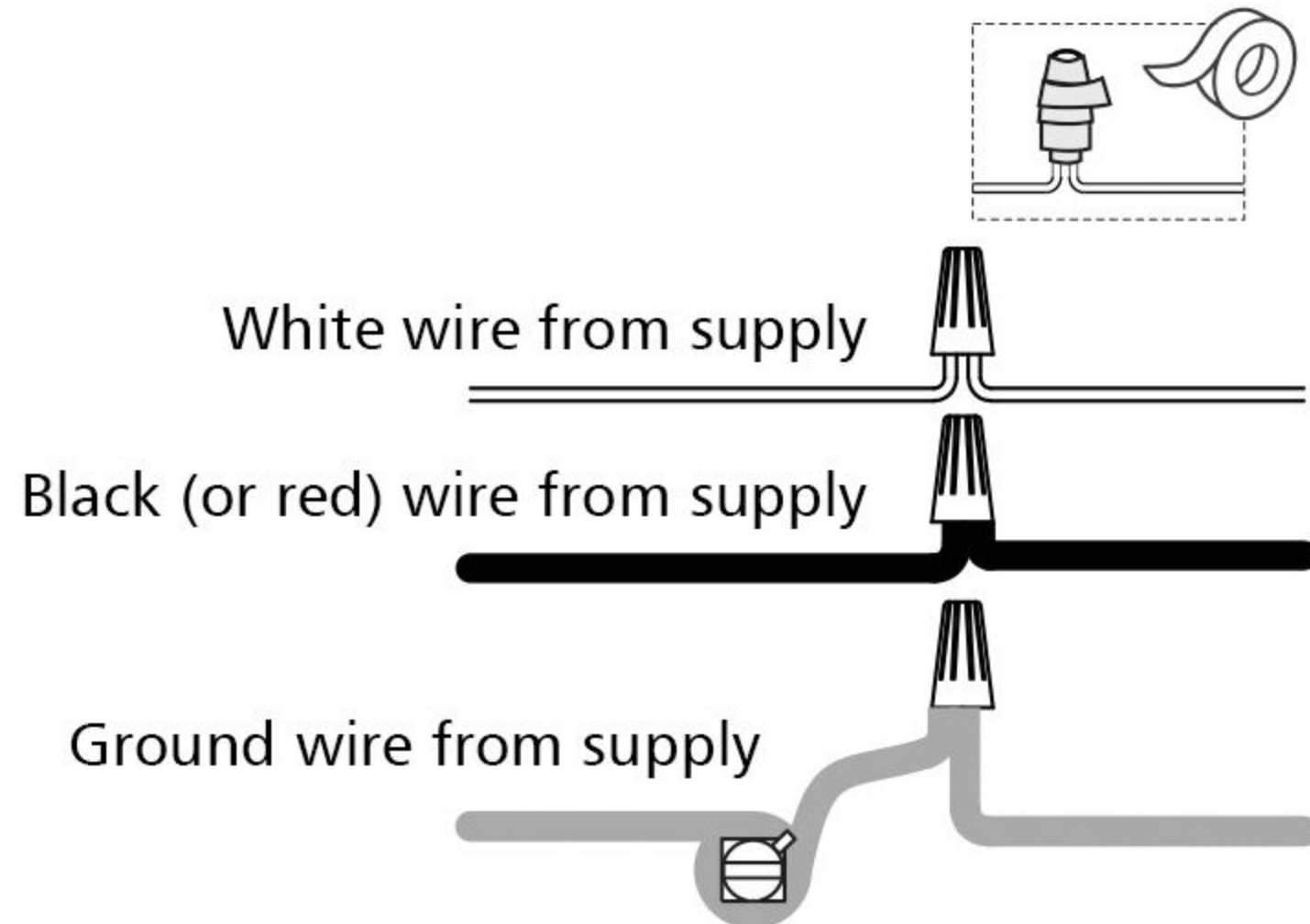
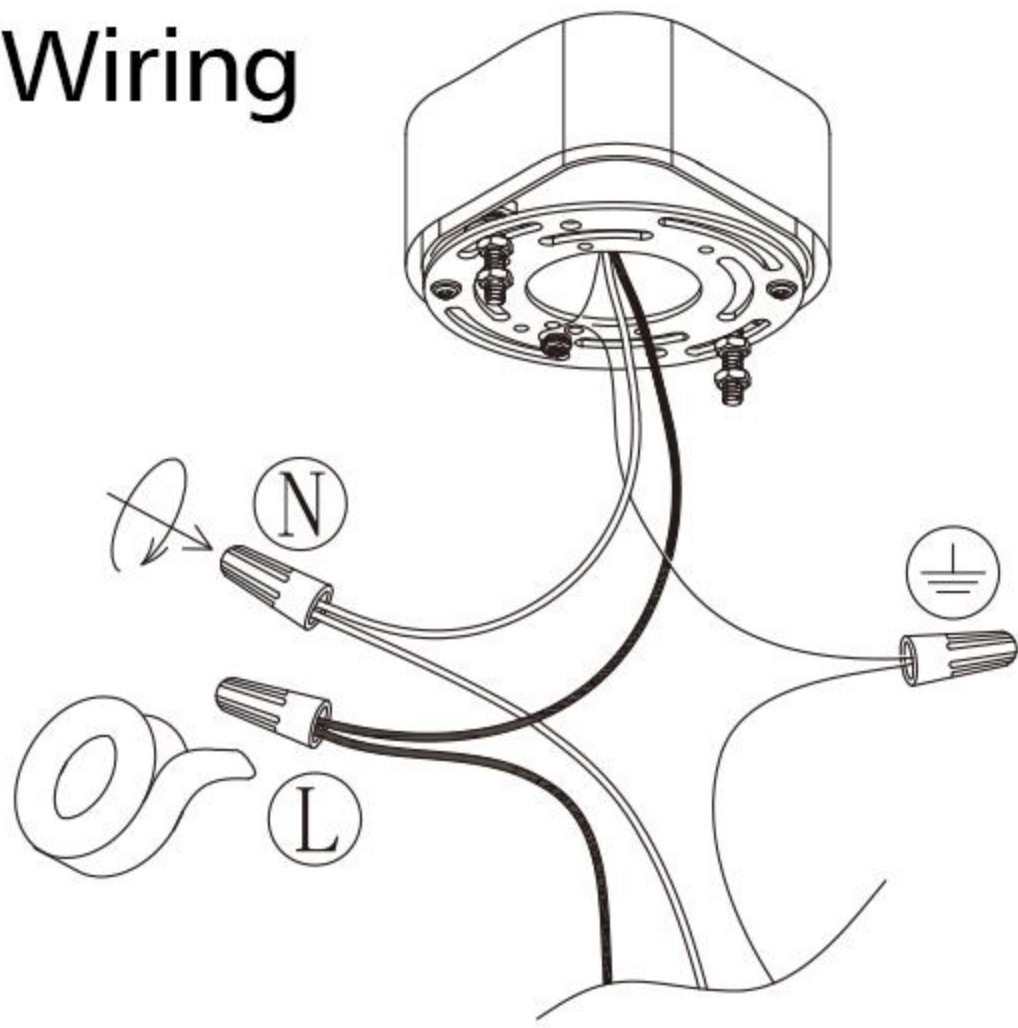


10 Install the Mounting Bracket



INSTALLATION

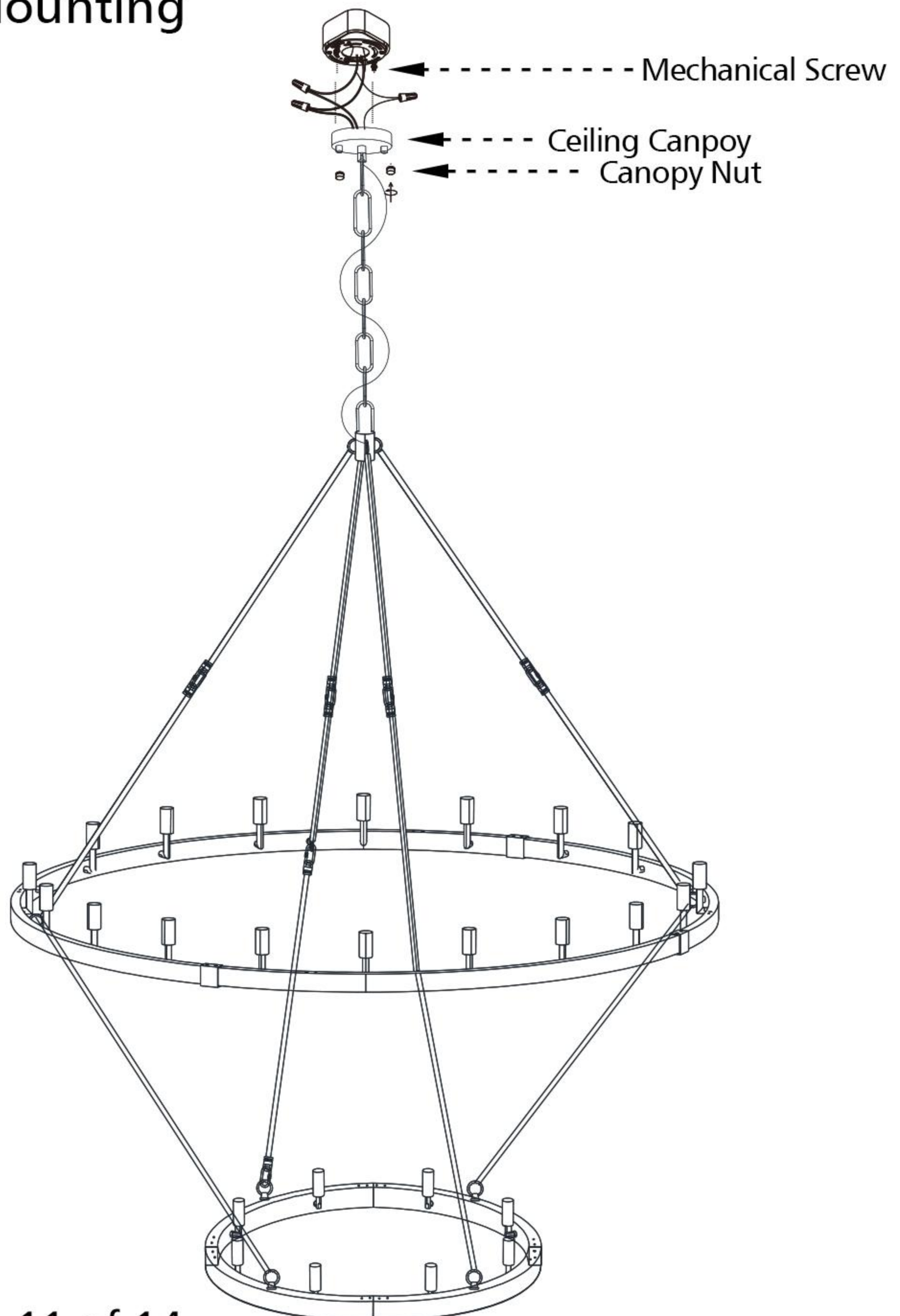
11 Wiring



Step 1: Connect the wires from the fixture to the house supply wires nuts, ground wire (green, green/yellow, or bare) to ground wire, neutral wire(white)to neutral wire, and hot wire (black) to hot wire. Wrap the connection with electrical tape.

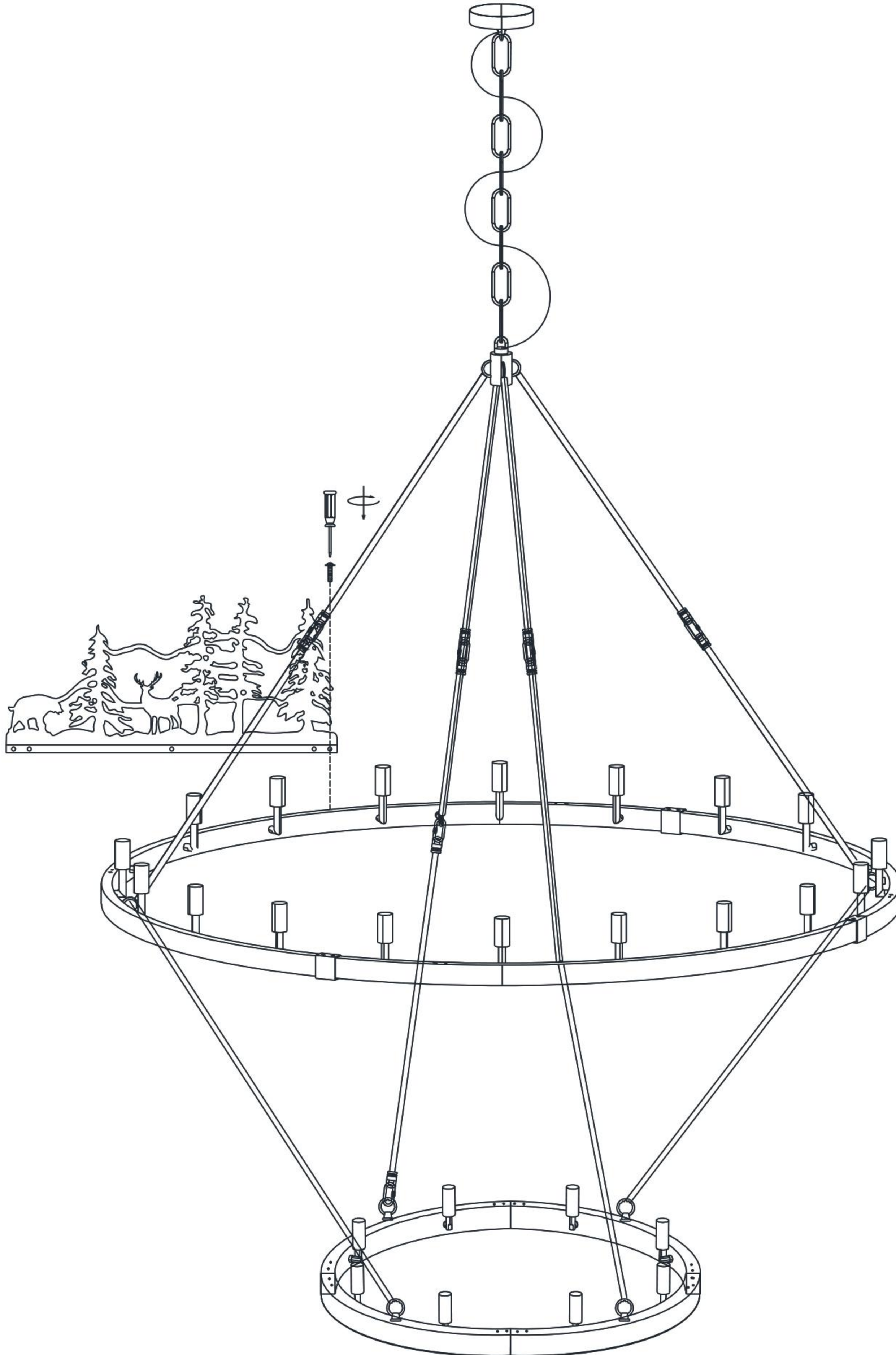
Step 2: Spread apart the wires so that the hot wires are on one side of the outer box and the neutral wires are on the other side.

12 Fix the canopy onto the Mounting Bracket with Cap Nut



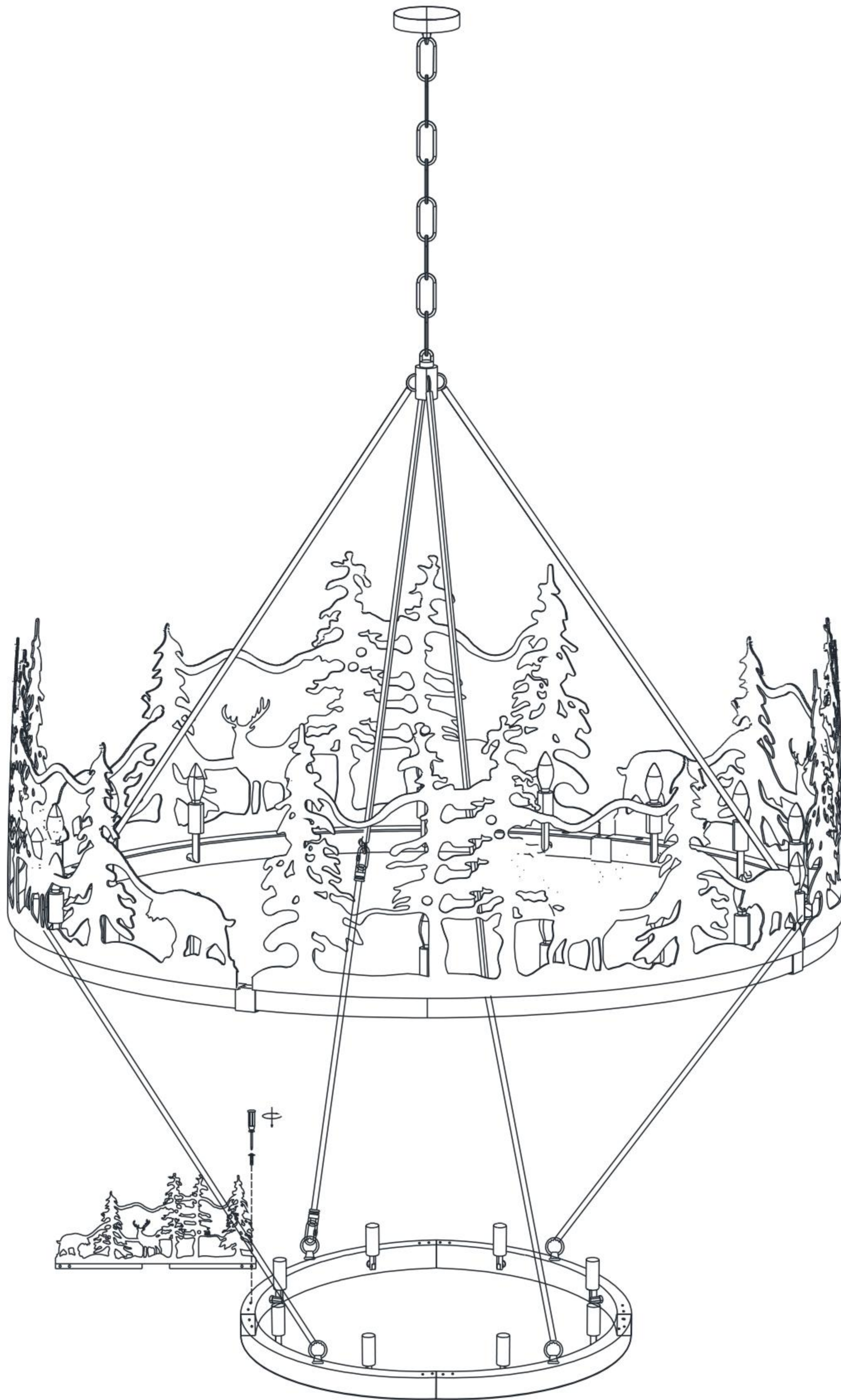
INSTALLATION

- 13** The remaining 20 screws will be used to secure the Forest Deer Iron Panel.
Each Forest Deer Iron Panel requires 5 screws for installation
Mounting Bracket.
Align the holes and tighten the screws accordingly



INSTALLATION

- 14** Install the 4 Forest Deer Iron Panels labeled "G" (with bottom notch, for use on the small ring) onto the small ring. Use 4 screws for each panel, for a total of 16 screws



15 Install 24 bulbs with E12 base

